



US00D942979S

(12) **United States Design Patent** (10) **Patent No.:** **US D942,979 S**
Jung (45) **Date of Patent:** **** Feb. 8, 2022**

(54) **CASE FOR ELECTRONIC DEVICE**

(71) Applicant: **SPIGEN KOREA CO., LTD.**, Seoul (KR)

(72) Inventor: **Soo Ha Jung**, Seoul (KR)

(**) Term: **15 Years**

(21) Appl. No.: **29/652,270**

(22) Filed: **Jul. 6, 2020**

(51) **LOC (13) Cl.** **14-02**

(52) **U.S. Cl.**
USPC **D14/440**

(58) **Field of Classification Search**
USPC D14/440, 447, 250, 439, 344, 248, 496,
D14/374, 371; 206/45.23, 320, 45.2;
361/679.55; 294/25; 224/218; D3/294;
D9/420

CPC G06F 1/1628; G06F 1/1626; A47B 23/044
See application file for complete search history.

(56) **References Cited**

U.S. PATENT DOCUMENTS

D314,865 S	2/1991	Tuisku	
D338,336 S	8/1993	Grant	
D378,018 S	2/1997	Ouellette	
D429,067 S	8/2000	Kleinsmith	
D429,068 S	8/2000	Kleinsmith	
D470,657 S	2/2003	Kawamura	
D553,354 S	10/2007	Kohler et al.	
D641,756 S *	7/2011	Hsieh	D14/440
D676,448 S *	2/2013	Gorman	D14/440
D685,189 S	7/2013	Adelman et al.	
9,402,016 B1	7/2016	Hidalgo	
D766,247 S *	9/2016	Burmester	D14/440
9,548,785 B2	1/2017	Rayner	
D798,302 S *	9/2017	Burmester	D14/440
D800,732 S *	10/2017	Dang	D14/440
D812,065 S *	3/2018	Shim	D14/440
D819,012 S *	5/2018	Kim	D14/250

D824,392 S *	7/2018	Charlesworth	D14/440
D824,393 S *	7/2018	Charlesworth	D14/440
D824,394 S *	7/2018	Charlesworth	D14/440
D824,395 S *	7/2018	Charlesworth	D14/440
D824,396 S *	7/2018	Charlesworth	D14/440
D824,397 S *	7/2018	Charlesworth	D14/440
D842,605 S	3/2019	Bo	
D863,286 S *	10/2019	Hong	D14/250
D888,664 S *	6/2020	Ma	D13/108
D901,481 S	11/2020	Ahn	

(Continued)

OTHER PUBLICATIONS

William Gallagher, "Everything known about Apple's AirTags", <https://appleinsider.com/articles/20/04/03/everything-known-about-apples-airtags>. Published on Apr. 4, 2020.

(Continued)

Primary Examiner — Cynthia R Underwood
(74) *Attorney, Agent, or Firm* — Paul Chung

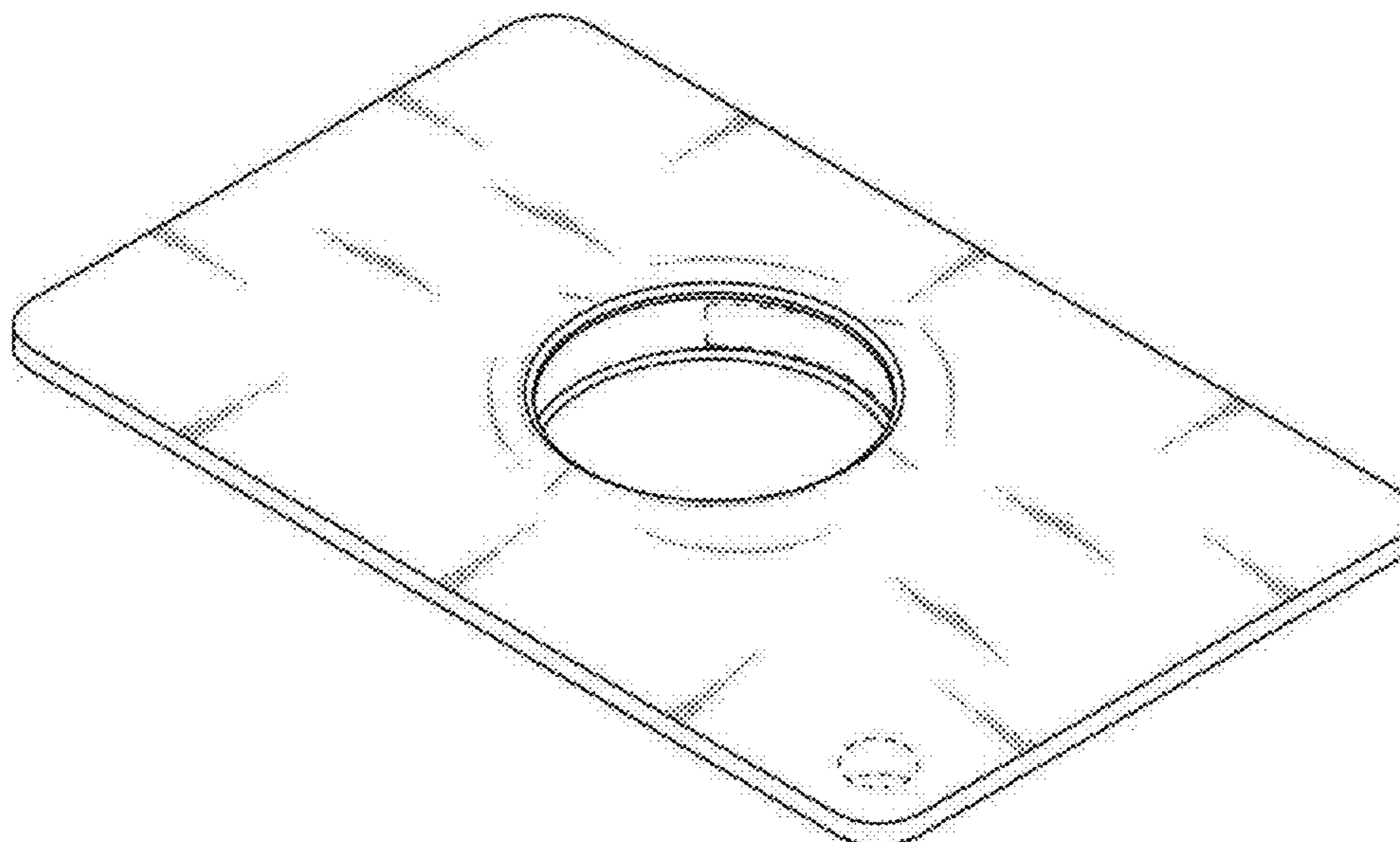
(57) **CLAIM**

The ornamental design of a case for electronic device, as shown and described.

DESCRIPTION

FIG. 1 is a front perspective view of the case for electronic device showing my new design;
FIG. 2 is a front elevational view thereof;
FIG. 3 is a rear elevational view thereof;
FIG. 4 is a left side elevational view thereof;
FIG. 5 is a right side elevational view thereof;
FIG. 6 is a top plan view thereof; and,
FIG. 7 is a bottom plan view thereof.
The broken lines throughout the drawing figures depict portions of the case for electronic device that form no part of the claimed design. The broken lines and regions bounded by broken lines form no part of the claimed design.

1 Claim, 7 Drawing Sheets



(56)

References Cited

U.S. PATENT DOCUMENTS

D903,686 S *	12/2020	Jung	D14/440
D905,041 S *	12/2020	Ahn	D14/253
D905,674 S	12/2020	Ahn		
D909,392 S *	2/2021	Lee	D14/440
D913,139 S *	3/2021	Ren	D10/132
D919,629 S *	5/2021	Liu	D14/440
2017/0155418 A1 *	6/2017	Kim	B60R 11/02

OTHER PUBLICATIONS

Joe Rossigno, “Apple’s Rumored Tile Competitor ‘AirTag’ May Have Removable Coin-Shaped Battery Like the Tile Pro”, <https://www.macrumors.com/2020/03/09/airtags-cr2032-battery-rumor/>, Published on Mar. 9, 2020.

Ben Lovejoy, “Tile will testify against Apple in today’s Congressional antitrust hearing”, <https://9to5mac.com/2020/01/17/testify-against-apple/>, Published on Jan. 17, 2020.

“Tile Mate (2020) 1-pack—Bluetooth Tracker, Keys Finder and Item Locator for Keys, Bags and More; Water Resistant with 1 Year Replaceable Battery”, <https://www.amazon.com/Tile-RE-19001-Mate-1-Pack/dp/B07W9BBCTB/>, Date First Available on Oct. 8, 2019.

“Nutale Focus Key Finder Smart Tracker Anti-Lost Alarm Item Locator Wireless for Key Phone Wallet Pet Bluetooth Tracking Device with Replaceable Battery Black”, <https://www.amazon.com/Nutale-Focus-Anti-Lost-Bluetooth-Replaceable/dp/B07XM6W36D/>, Date First Available on Sep. 16, 2019.

“VODESON Wireless Key Finder RF Item Locator Item Tracker with Remote for Keys Keychain Wallet TV Remote Phone Luggage Pet Remote Beeper Tracking Device—No APP Required, Battery Included (2 Receivers)”, <https://www.amazon.com/VODESON-Wireless-Finder-Locator-Tracker/dp/B07WF7LTRW/>, Date First Available on Aug. 12, 2019.

* cited by examiner

FIG. 1

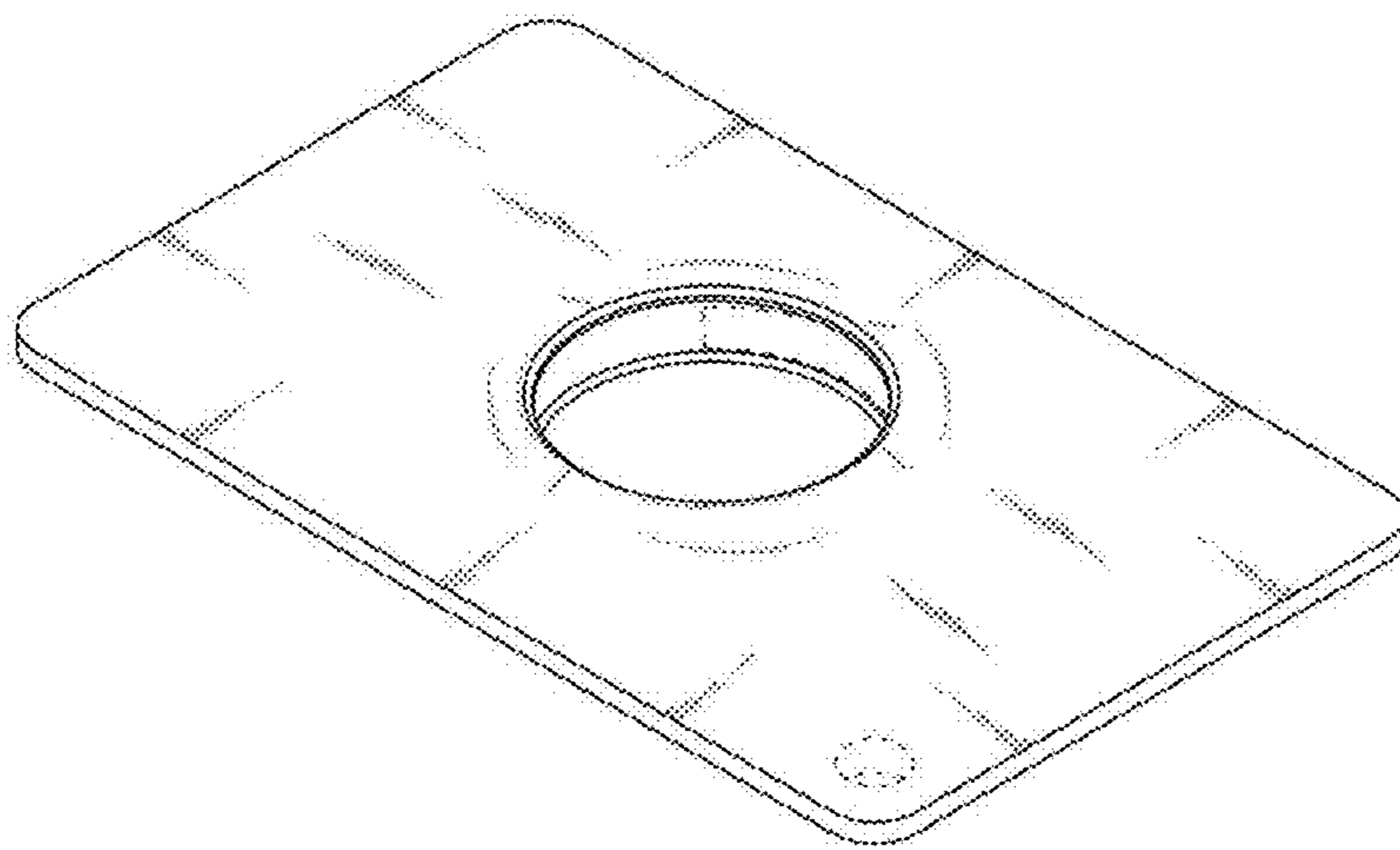


FIG. 2



FIG. 3

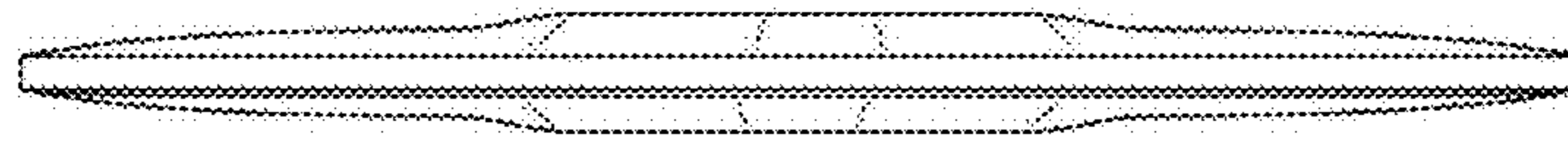


FIG. 4

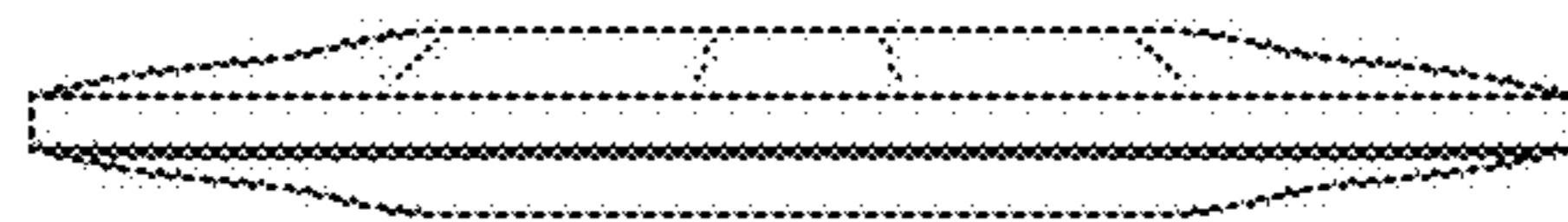


FIG. 5

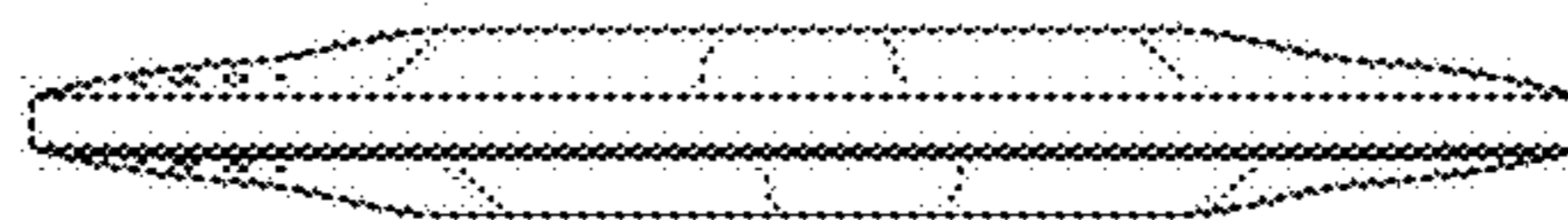


FIG. 6

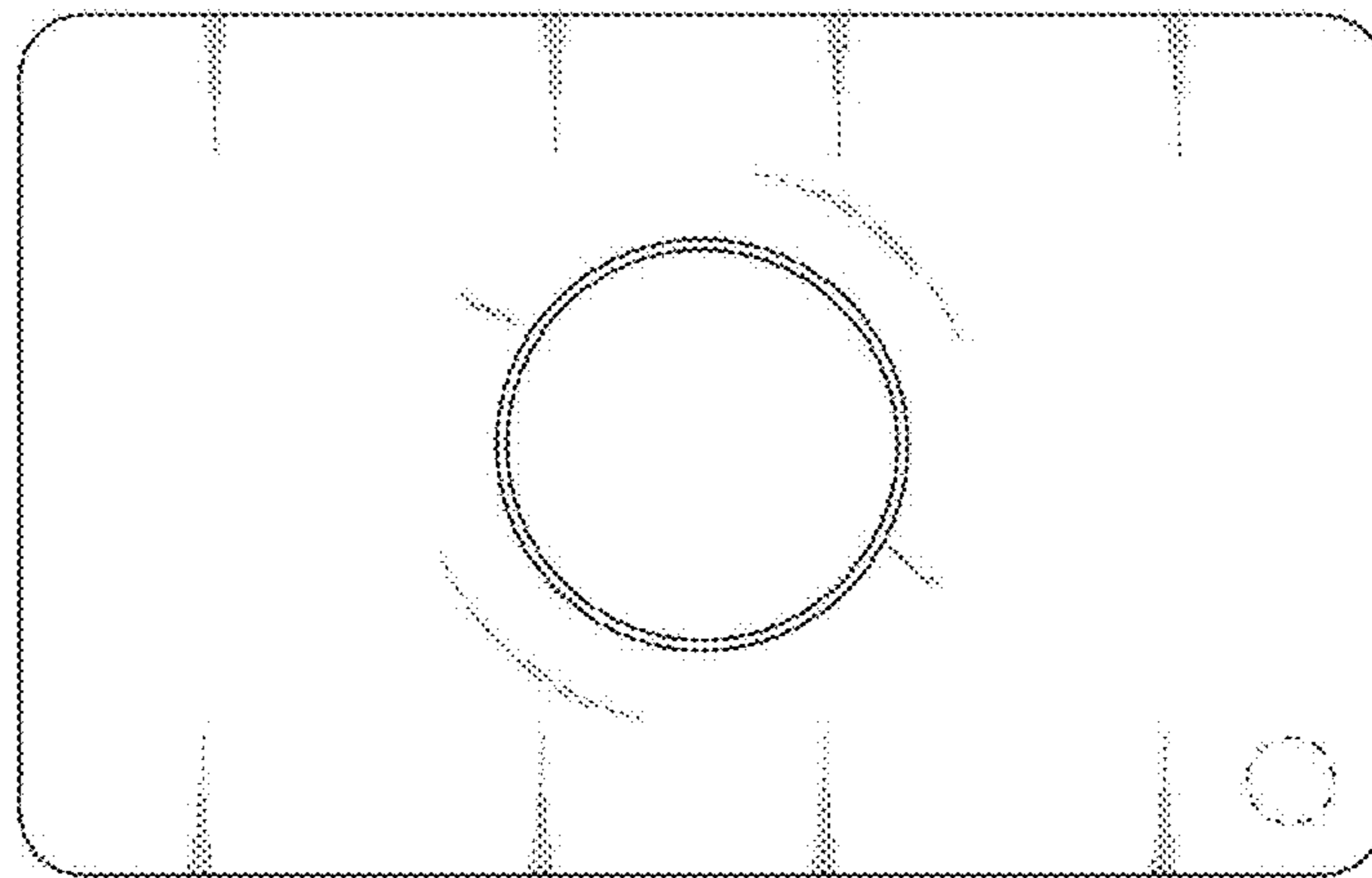


FIG. 7

