



US00D942977S

(12) **United States Design Patent** (10) **Patent No.:** **US D942,977 S**
Gao (45) **Date of Patent:** **** Feb. 8, 2022**

(54) **MULTIMEDIA PROCESSING DEVICE**
(71) Applicant: **Lenovo (Beijing) Co., Ltd.**, Beijing (CN)
(72) Inventor: **Xiaoju Gao**, Beijing (CN)
(73) Assignee: **Lenovo (Beijing) Co., Ltd.**, Beijing (CN)
(**) Term: **15 Years**
(21) Appl. No.: **35/508,559**
(22) Filed: **Jun. 21, 2019**
(80) **Hague Agreement Data**
Int. Filing Date: **Jun. 21, 2019**
Int. Reg. No.: **DM/205720**
Int. Reg. Date: **Jun. 21, 2019**
Int. Reg. Pub. Date: **Feb. 14, 2020**

D728,654 S * 5/2015 Lee D16/202
D741,931 S * 10/2015 Huang D16/202
D743,941 S * 11/2015 Patsis D14/216
D756,326 S * 5/2016 Holzer D14/171
D793,363 S * 8/2017 Zhang D14/216
D801,307 S * 10/2017 Kim D14/216
D810,804 S * 2/2018 Borel D16/203
D811,392 S * 2/2018 Lu D14/358
D836,569 S * 12/2018 Kim D13/168
D861,056 S * 9/2019 Joo D16/202
D863,402 S * 10/2019 Guo D16/203
D880,553 S * 4/2020 Yu D16/203
D880,554 S * 4/2020 Yu D16/203
D881,886 S * 4/2020 Bidwell D14/420
D884,052 S * 5/2020 Tang D16/203

(Continued)

Primary Examiner — Bao-Yen T Nguyen
(74) *Attorney, Agent, or Firm* — Oppedahl Patent Law Firm LLC

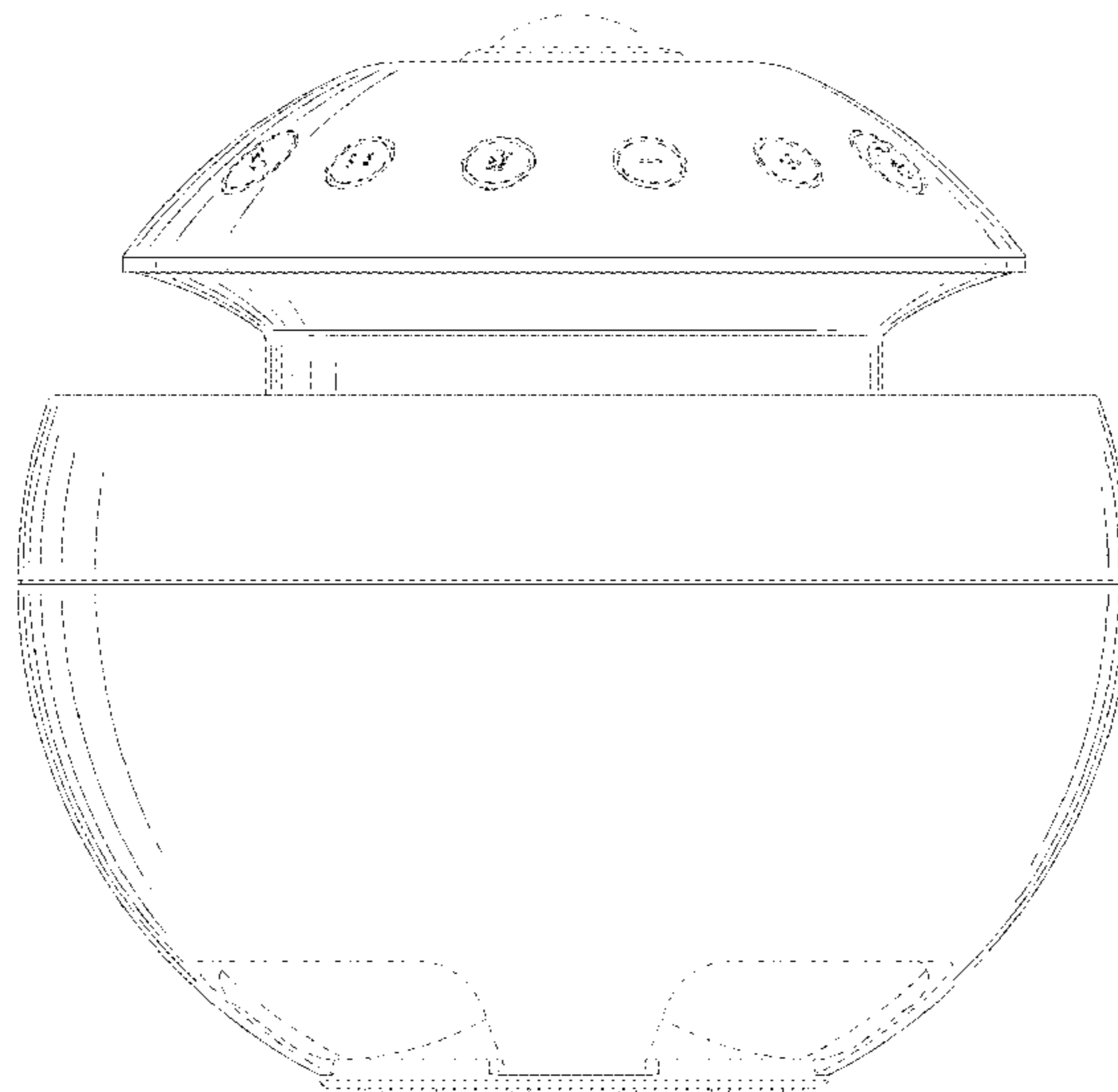
(30) **Foreign Application Priority Data**
Dec. 21, 2018 (CN) 201830747213.X
(51) **LOC (13) Cl.** **14-03**
(52) **U.S. Cl.**
USPC **D14/358**
(58) **Field of Classification Search**
USPC D14/188, 162, 167–169, 125, 126,
D14/194–198, 214, 217, 257, 265, 299,
D14/351, 356, 357, 358, 361, 362, 365,
D14/367, 370, 388, 432, 496
CPC . H03F 1/26; H03F 1/3247; H03F 3/24; H03F
3/181; H03F 3/189; H03F 3/45197; H03F
2200/03; H03F 2200/324; H03F
2200/336; H01Q 1/02; H01Q 1/2291;
H01Q 1/246; H04B 1/38
See application file for complete search history.

(57) **CLAIM**
The ornamental design for a multimedia processing device, as shown and described.

(56) **References Cited**
U.S. PATENT DOCUMENTS
D597,532 S * 8/2009 Wang D14/211
D637,173 S * 5/2011 Elkerbout D14/159

DESCRIPTION
Multimedia processing device
Figure 2.1 is a front view of a multimedia processing device showing the new design;
Figure 2.2 is a back view thereof;
Figure 2.3 is a left side view thereof;
Figure 2.4 is a right side view thereof;
Figure 2.5 is a top view thereof;
Figure 2.6 is a bottom view thereof;
Figure 2.7 is a front, top perspective view thereof;
Figure 2.8 is a back, top perspective view thereof; and
Figure 2.9 is a front, bottom perspective view thereof.
The broken lines shown in the drawings illustrate portions of the multimedia processing device that form no part of the claimed design.

1 Claim, 9 Drawing Sheets



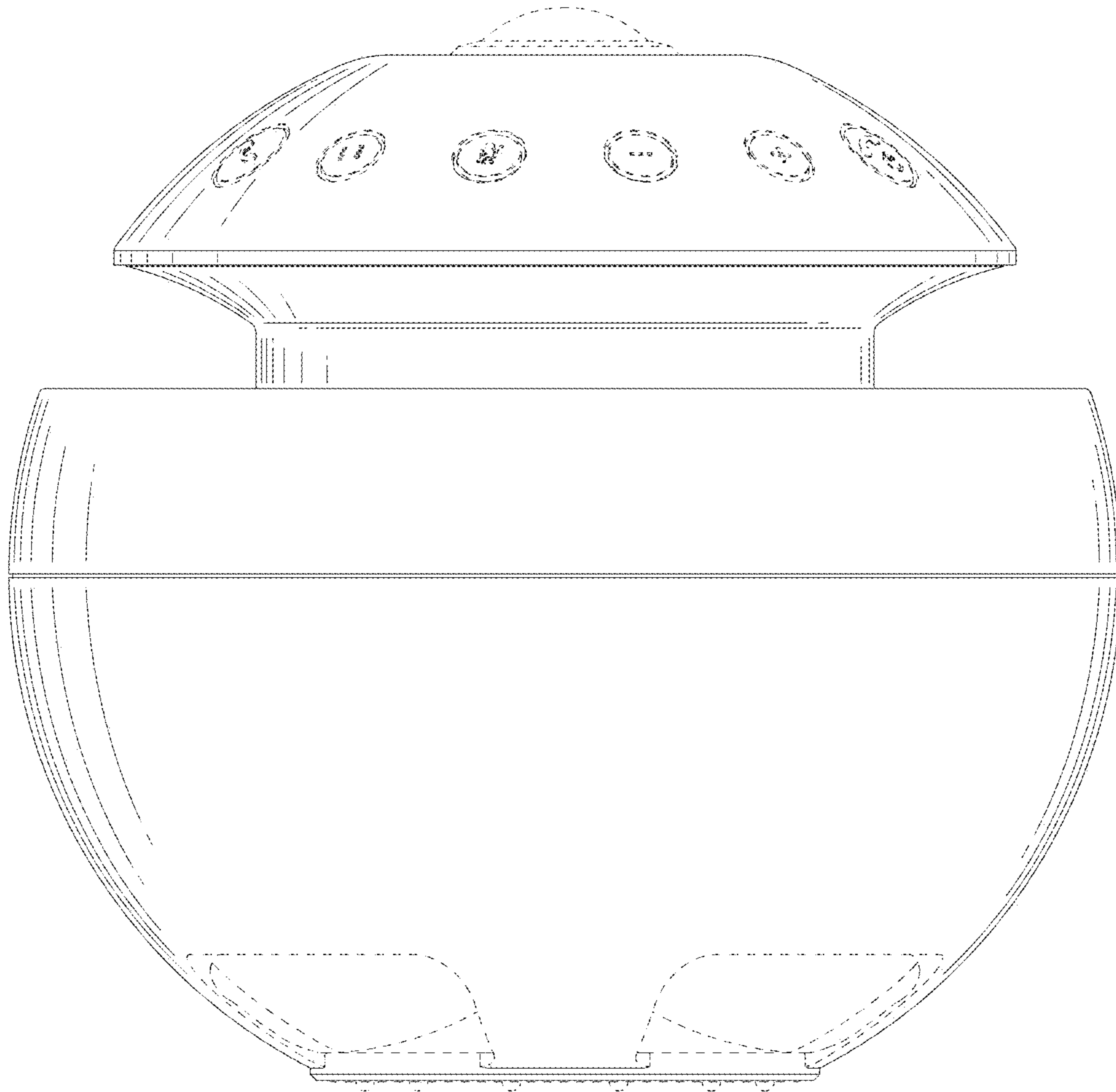
(56)

References Cited

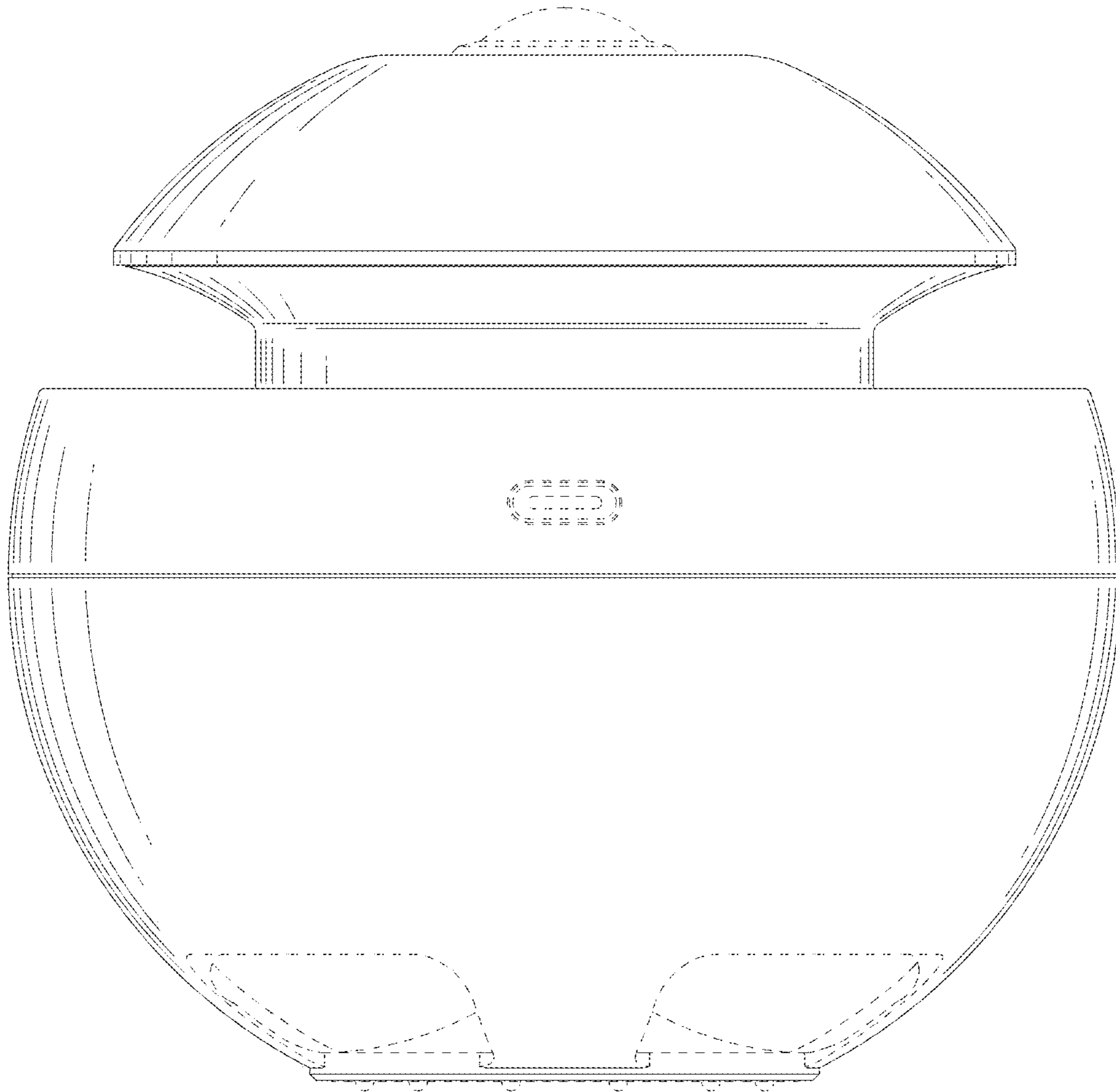
U.S. PATENT DOCUMENTS

D891,501 S * 7/2020 Wu D16/203
D896,808 S * 9/2020 Koh D14/314

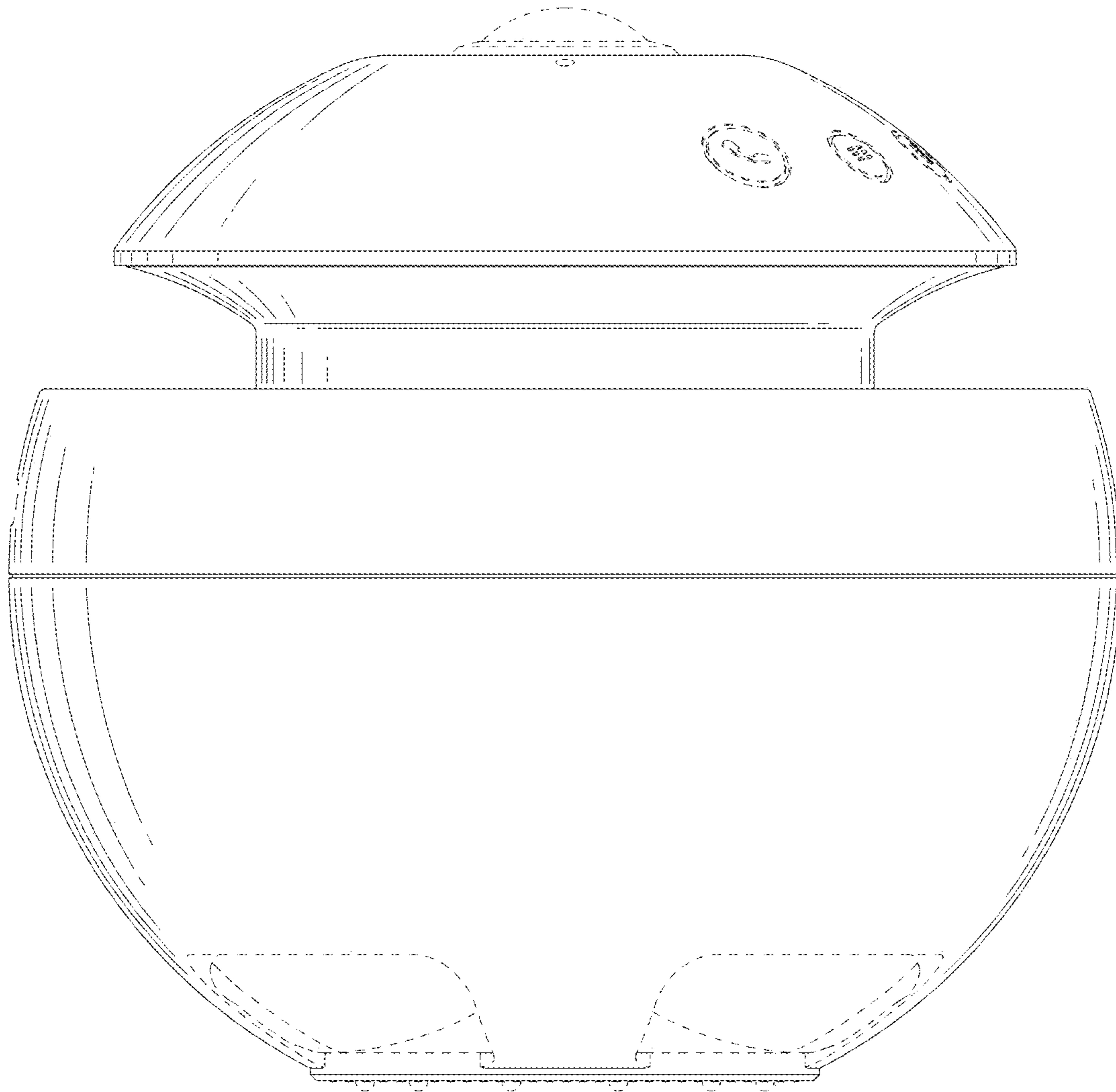
* cited by examiner



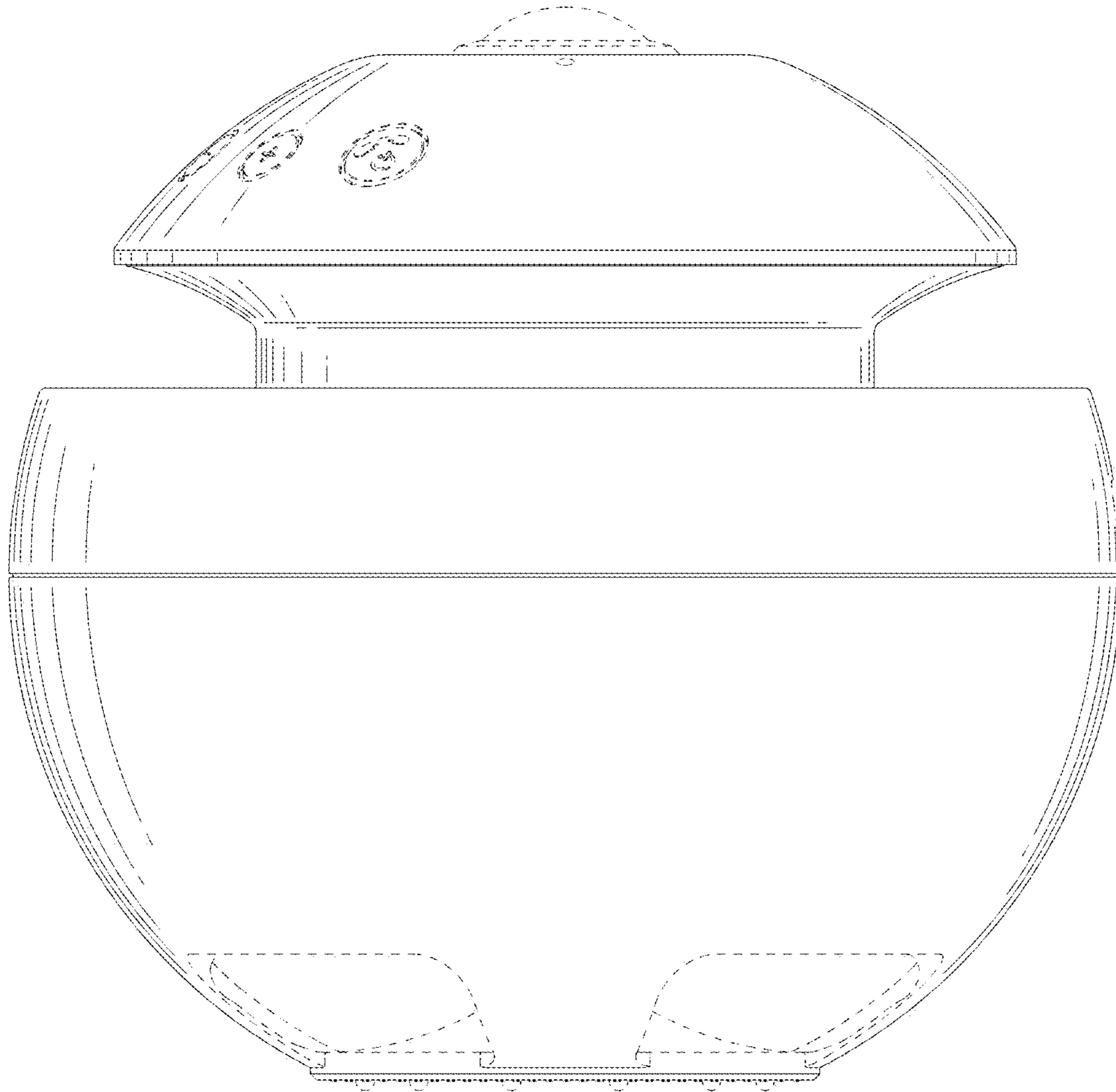
2.1



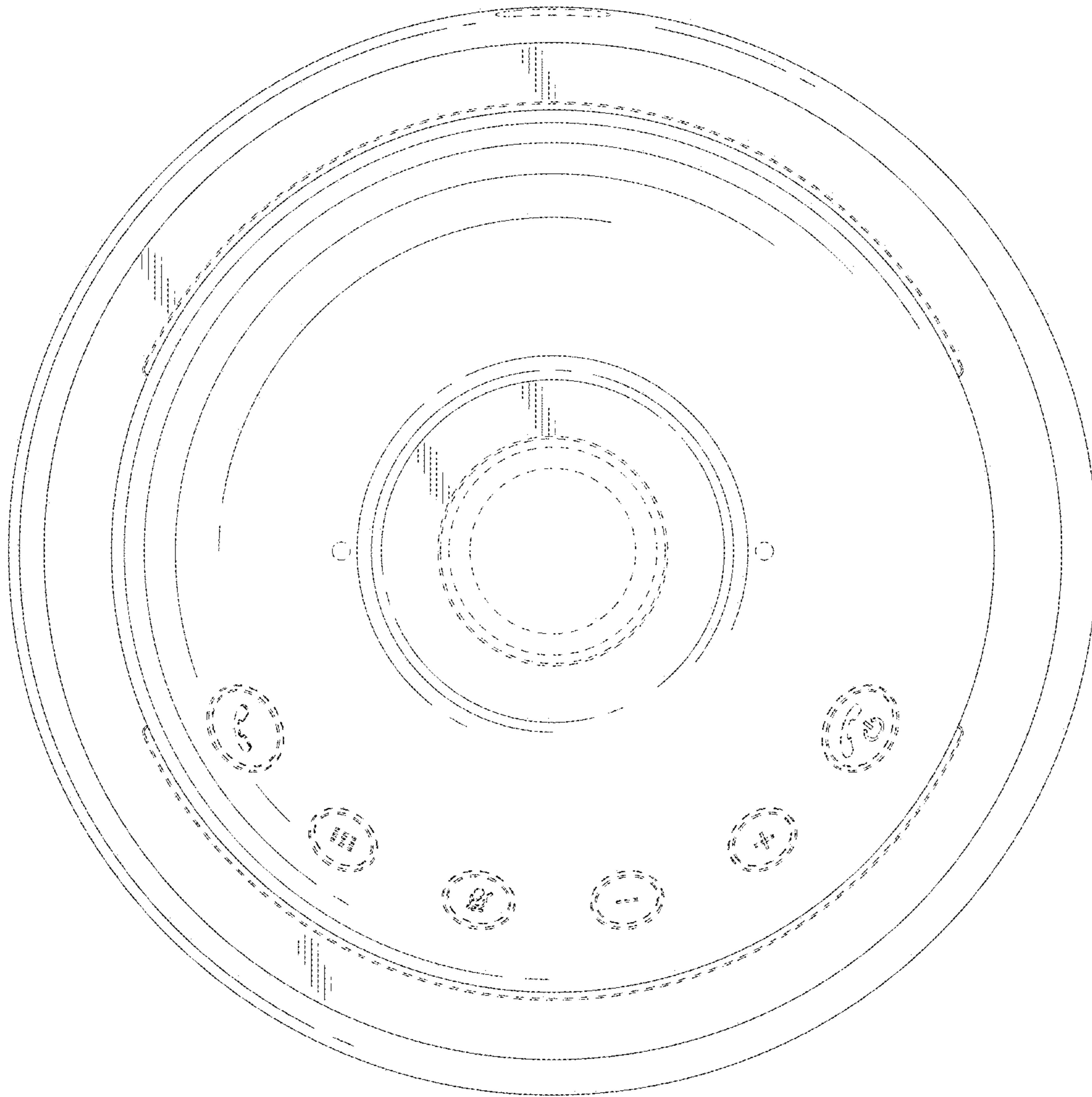
2.2



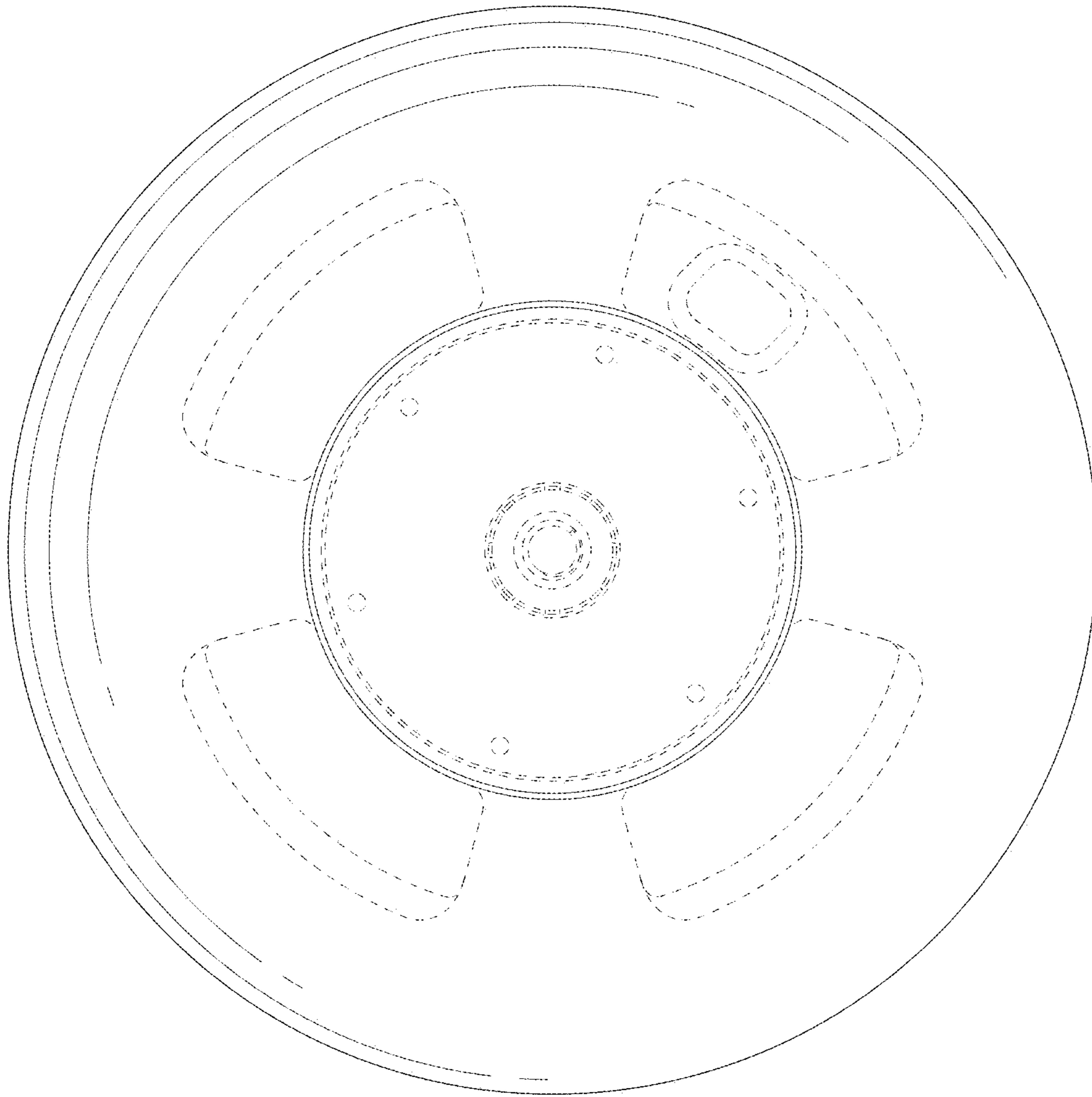
2.3

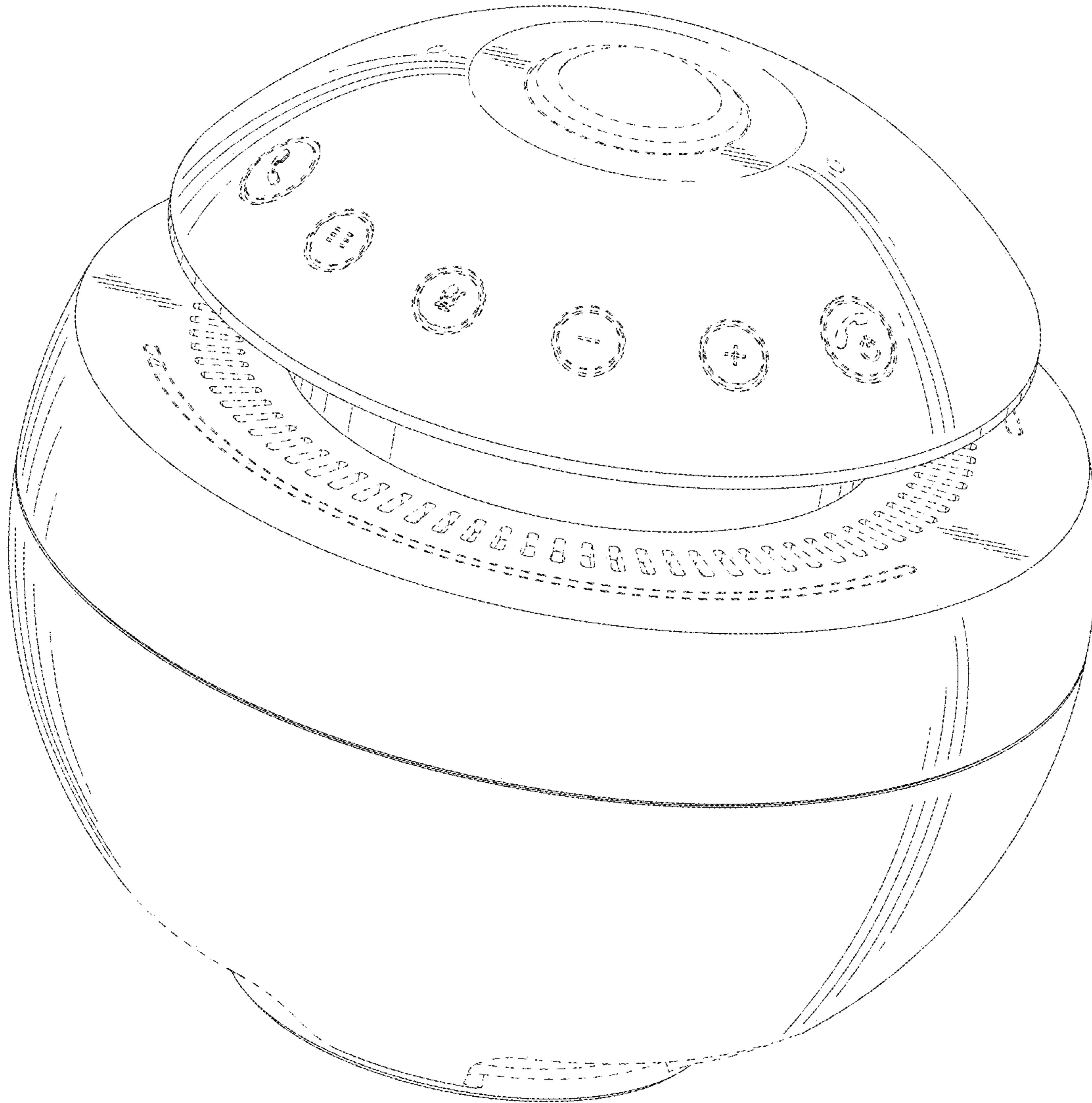


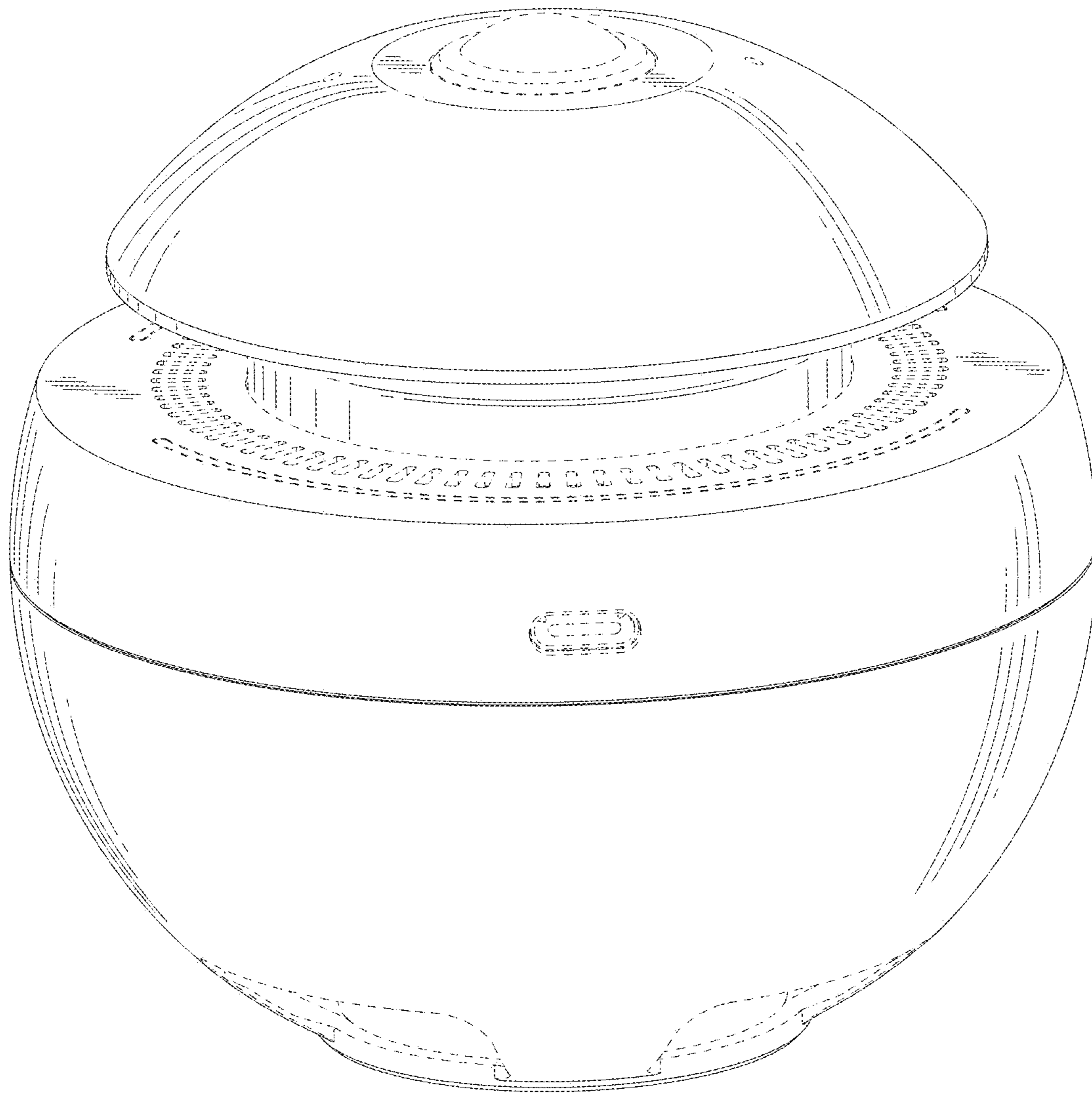
2.4



2.5







2.8

