

US00D942976S

(12) **United States Design Patent** (10) **Patent No.:** **US D942,976 S**
Yu (45) **Date of Patent:** **** Feb. 8, 2022**

(54) **LAPTOP COMPUTER**
(71) Applicant: **Lenovo (Beijing) Co., Ltd.**, Beijing (CN)
(72) Inventor: **Tianfang Yu**, Beijing (CN)
(73) Assignee: **Lenovo (Beijing) Co., Ltd.**, Beijing (CN)
(**) Term: **15 Years**

D727,314 S * 4/2015 Fukuoka D14/318
D743,958 S * 11/2015 Goh D14/315
D751,543 S * 3/2016 Chon D14/327
D781,282 S * 3/2017 Hsu D14/315
D786,857 S * 5/2017 Tian D14/315
D829,710 S * 10/2018 Seoc D14/315
D890,164 S * 7/2020 Wolff D14/315
D890,165 S * 7/2020 Wolff D14/315
D890,747 S * 7/2020 Lee D14/315
D904,395 S * 12/2020 Reed D14/315
D914,011 S * 3/2021 Liu D14/324

(Continued)

(21) Appl. No.: **35/509,992**

OTHER PUBLICATIONS

(22) Filed: **May 29, 2020**

Samsung 3-Series NP305 Laptop Review, upload date Jan. 16, 2012, [online] URL: <https://www.youtube.com/watch?v=wffD7niGrWo> (Year: 2012).*

(80) **Hague Agreement Data**

Int. Filing Date: **May 29, 2020**
Int. Reg. No.: **DM/209533**
Int. Reg. Date: **May 29, 2020**
Int. Reg. Pub. Date: **Aug. 7, 2020**

(Continued)

Primary Examiner — L. A. Grabenstetter
(74) *Attorney, Agent, or Firm* — Oppedahl Patent Law Firm LLC

(30) **Foreign Application Priority Data**

Nov. 29, 2019 (CN) 201930666397.1

(57) **CLAIM**

The ornamental design for a laptop computer, as shown and described.

(51) **LOC (13) Cl.** **14-02**

(52) **U.S. Cl.**
USPC **D14/318**

DESCRIPTION

(58) **Field of Classification Search**
USPC D14/203.4, 316, 317, 319–327, 341, 344, D14/345, 346, 501, 502, 507; D21/330
CPC G06F 1/1616; G06F 1/1637; G06F 1/203; G06F 1/1681
See application file for complete search history.

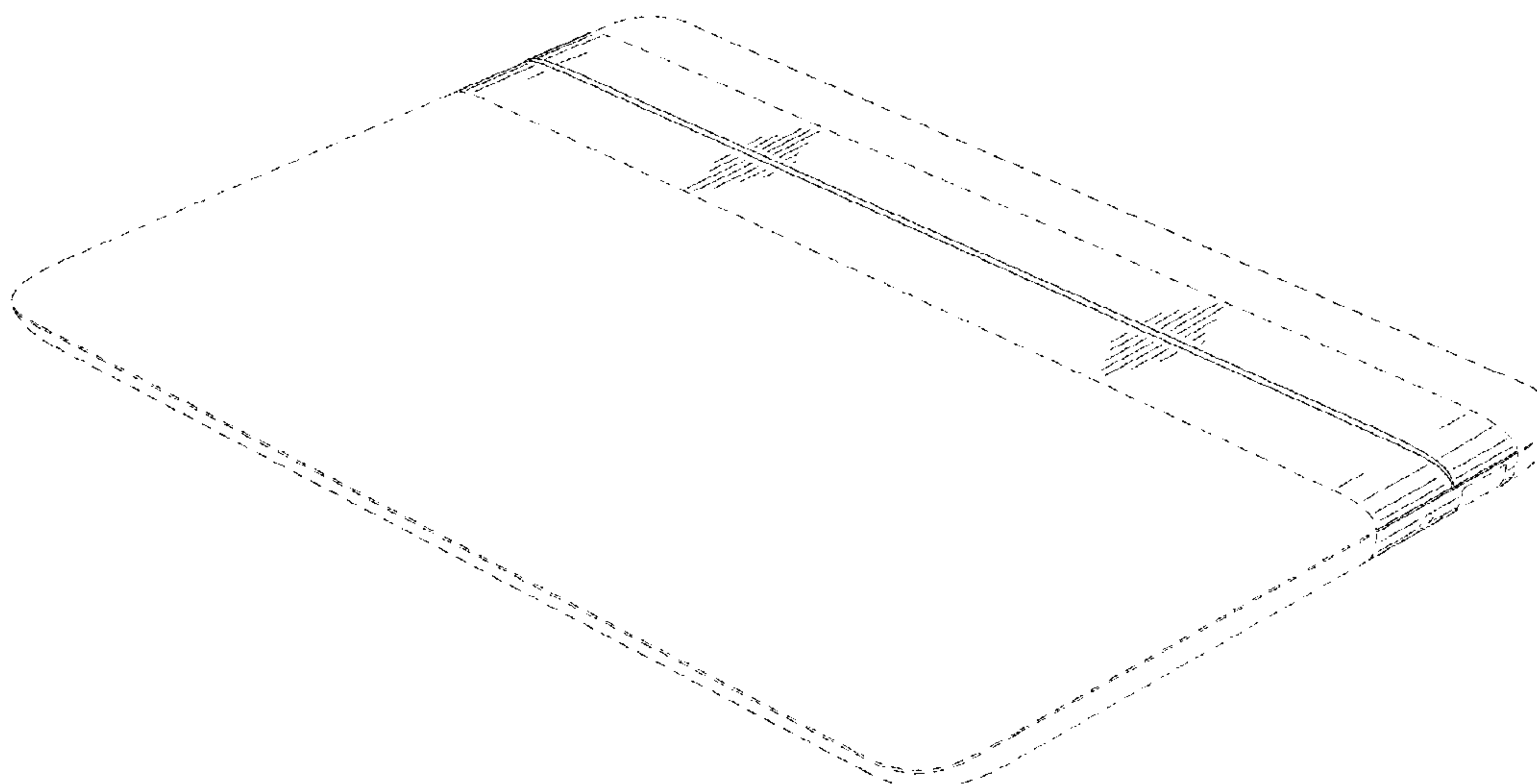
2. Laptop computer
2.1: Front view, shown in a closed state
2.2: Back view thereof
2.3: Left view thereof
2.4: Right view thereof
2.5: Top view thereof
2.6: Bottom view thereof
2.7: Front Perspective view thereof
2.8: Back Perspective view thereof
2.9: Front Perspective view, shown in an open state
The broken lines shown in the drawings illustrate portions of the laptop computer that form no part of the claimed design.

(56) **References Cited**

U.S. PATENT DOCUMENTS

D603,394 S * 11/2009 Lee D14/315
D627,341 S * 11/2010 Yoon D14/315
D715,792 S * 10/2014 Heck D14/315
D720,742 S * 1/2015 Leonard D14/315

1 Claim, 9 Drawing Sheets



(56)

References Cited

U.S. PATENT DOCUMENTS

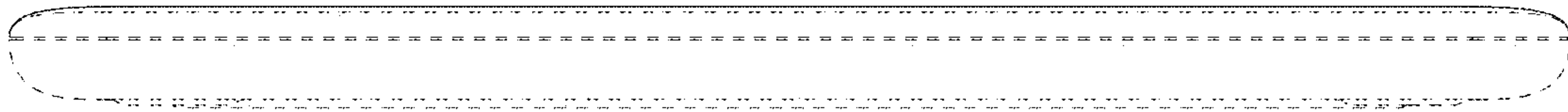
D915,396 S * 4/2021 Sheu D14/327

OTHER PUBLICATIONS

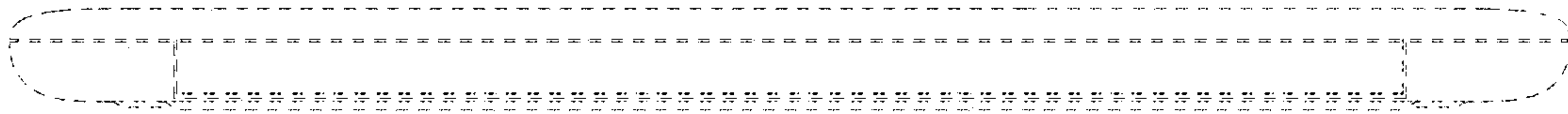
Google Pixelbook, date first available Jan. 15, 2017, [online] URL:
<https://www.amazon.com/Google-Pixelbook-i7-RAM-512/dp/B075JLPLBL> (Year: 2017).*

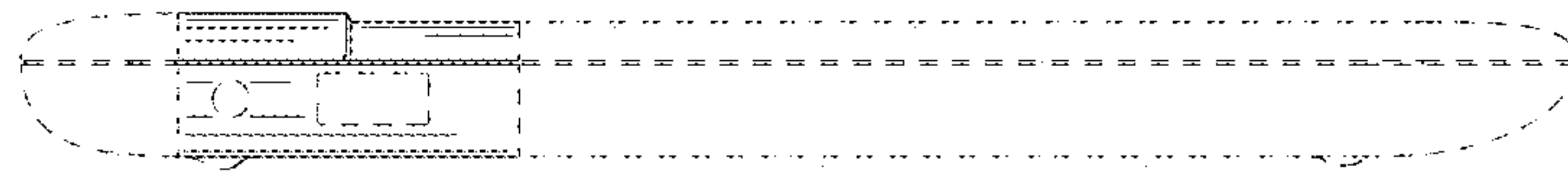
The Eve V 2-in-1 crowd-sourced tablet, publication date Dec. 19, 2017, [online] URL: <https://www.cnet.com/pictures/the-eve-v-2-in-1-had-1000-designers/> (Year: 2017).*

* cited by examiner

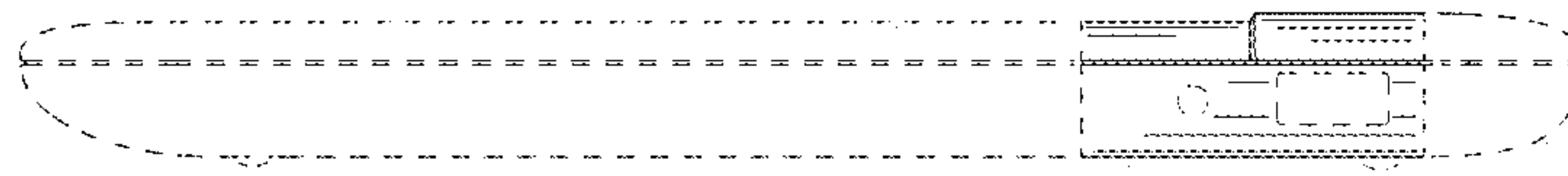


2.1

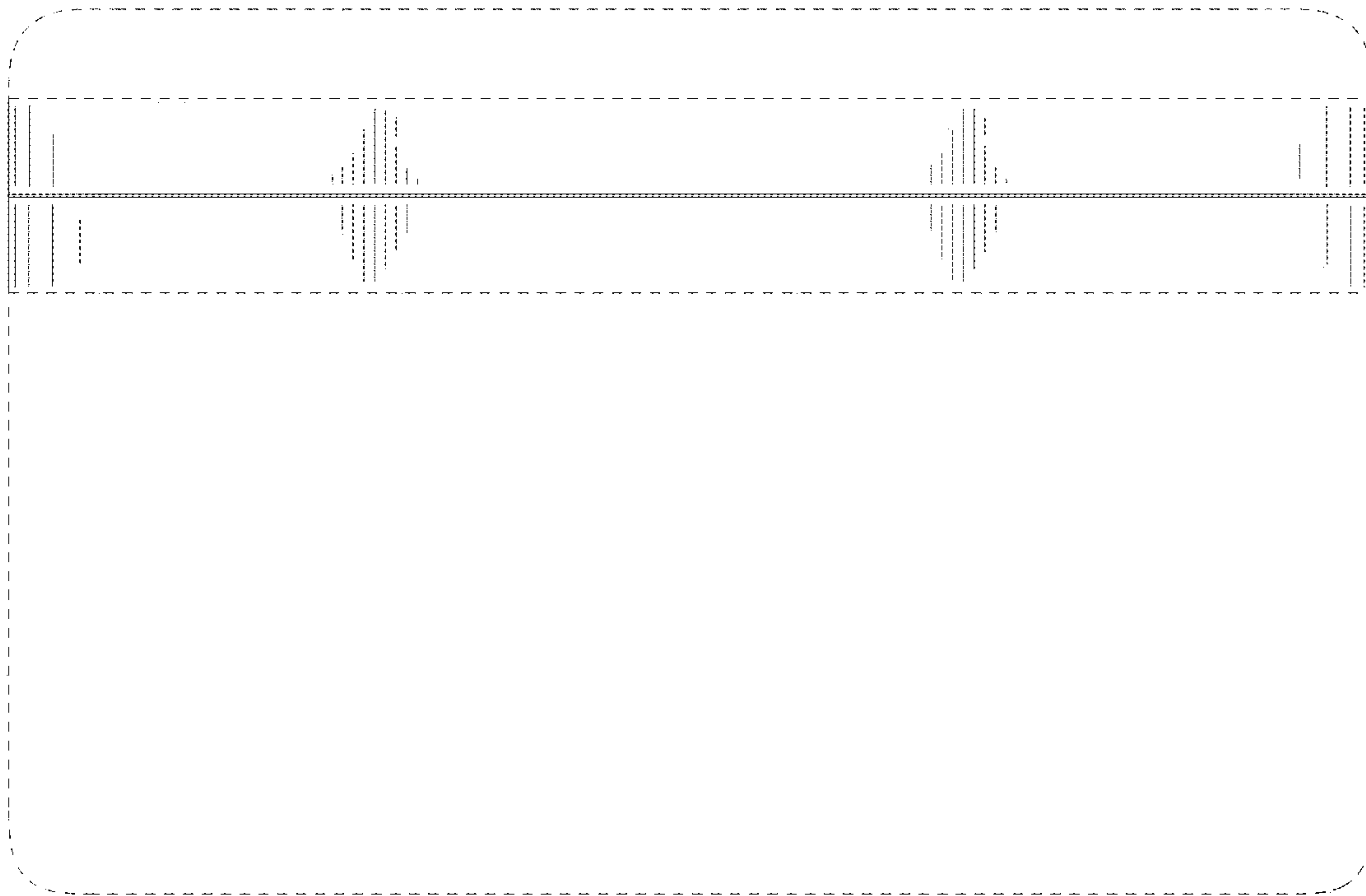


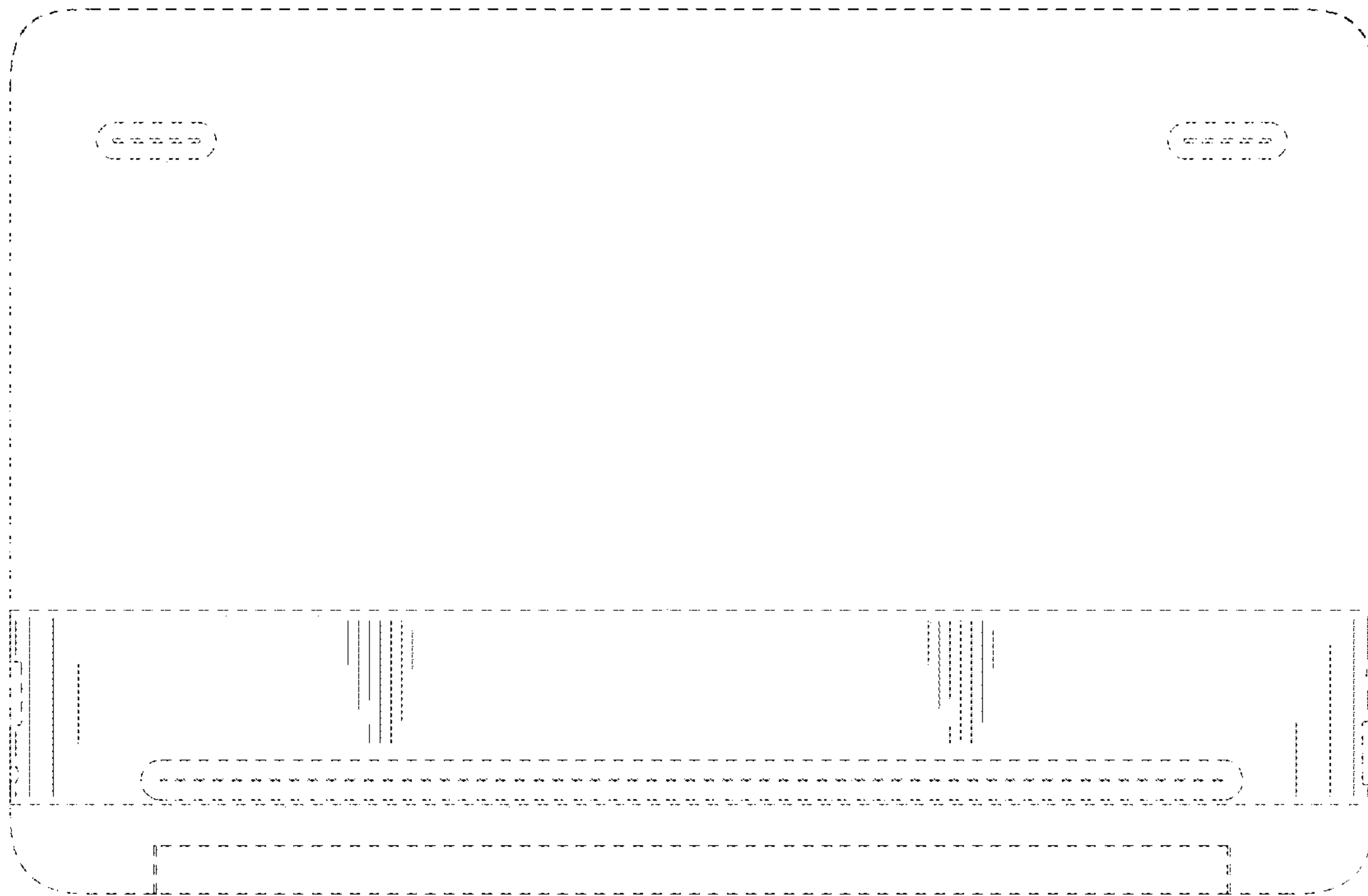


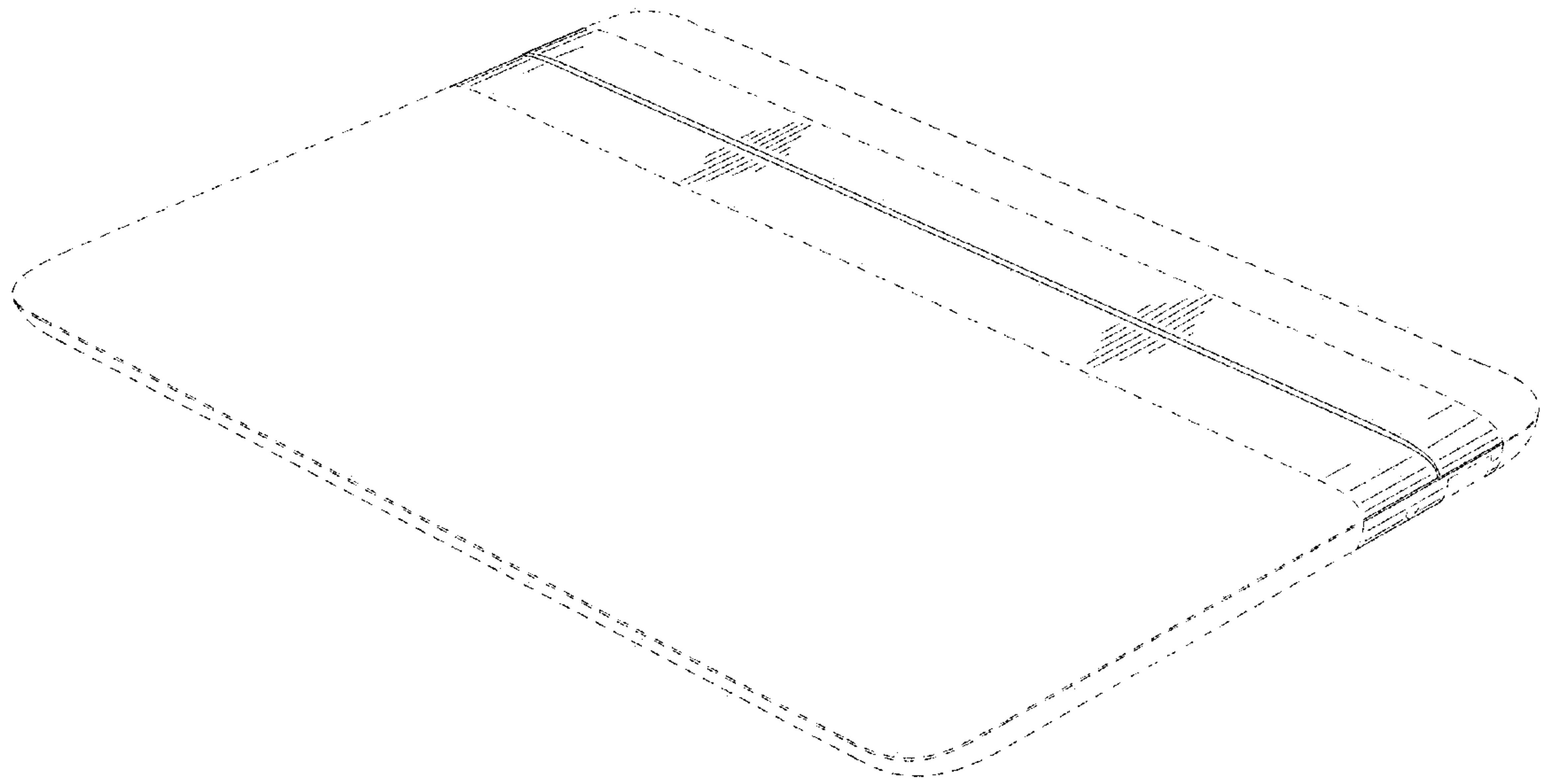
2.3



2.4







2.7

