



US00D942974S

(12) **United States Design Patent**
Horn

(10) **Patent No.:** **US D942,974 S**
(45) **Date of Patent:** **** Feb. 8, 2022**

(54) **CELLULAR MODULE**
(71) Applicant: **THALES DIS AIS Deutschland GmbH**, Munich (DE)
(72) Inventor: **Annette Horn**, Munich (DE)
(**) Term: **15 Years**
(21) Appl. No.: **35/508,853**
(22) Filed: **May 20, 2019**
(80) **Hague Agreement Data**

Int. Filing Date: **May 20, 2019**
Int. Reg. No.: **DM/206412**
Int. Reg. Date: **May 20, 2019**
Int. Reg. Pub. Date: **Mar. 20, 2020**

(30) **Foreign Application Priority Data**

Nov. 20, 2018 (EM) 005829694

(51) **LOC (13) Cl.** **14-03**

(52) **U.S. Cl.**
USPC **D14/230; D13/182**

(58) **Field of Classification Search**
USPC D10/104.1, 106.9; D13/147, 182;
D14/155, 230, 356-359, 435-437
CPC H01Q 1/241; H01Q 1/243; H04B 1/38
See application file for complete search history.

(56) **References Cited**

U.S. PATENT DOCUMENTS

D466,093 S * 11/2002 Ebihara D13/182
D540,272 S * 4/2007 Higashibata D13/182
D540,273 S * 4/2007 Higashibata D13/182
D570,307 S * 6/2008 Kobayashi D13/180

(Continued)

OTHER PUBLICATIONS

LG Innotek 3G GSM phone module, earliest upload/modification date found Jun. 5, 2017, [online] URL: <https://web.archive.org/web/>

20200821031711/iginnotek.com/wp-content/uploads/2017/04/telematics-modem-lga-type-3g-4.jpg (Year: 2017).*
(Continued)

Primary Examiner — L. A. Grabenstetter

(57) **CLAIM**

The ornamental design for a cellular module, as shown and described.

DESCRIPTION

FIG. 1.1 is a bottom view of the claimed design for a cellular module;

FIG. 1.2 is a perspective view thereof;

FIG. 1.3 is a left side view thereof;

FIG. 1.4 is a top view thereof;

FIG. 1.5 is a front view thereof;

FIG. 1.6 is a rear view thereof;

FIG. 1.7 is a right side view thereof;

FIG. 3.1 is a bottom view of the claimed design for a cellular module;

FIG. 3.2 is a perspective view thereof;

FIG. 3.3 is a left view thereof;

FIG. 3.4 is a top view thereof;

FIG. 3.5 is a front view thereof;

FIG. 3.6 is a rear view thereof;

FIG. 3.7 is a right side view thereof

FIG. 5.1 is a bottom view of the claimed design for a cellular module;

FIG. 5.2 is a perspective view thereof;

FIG. 5.3 is a left view thereof;

FIG. 5.4 is a top view thereof;

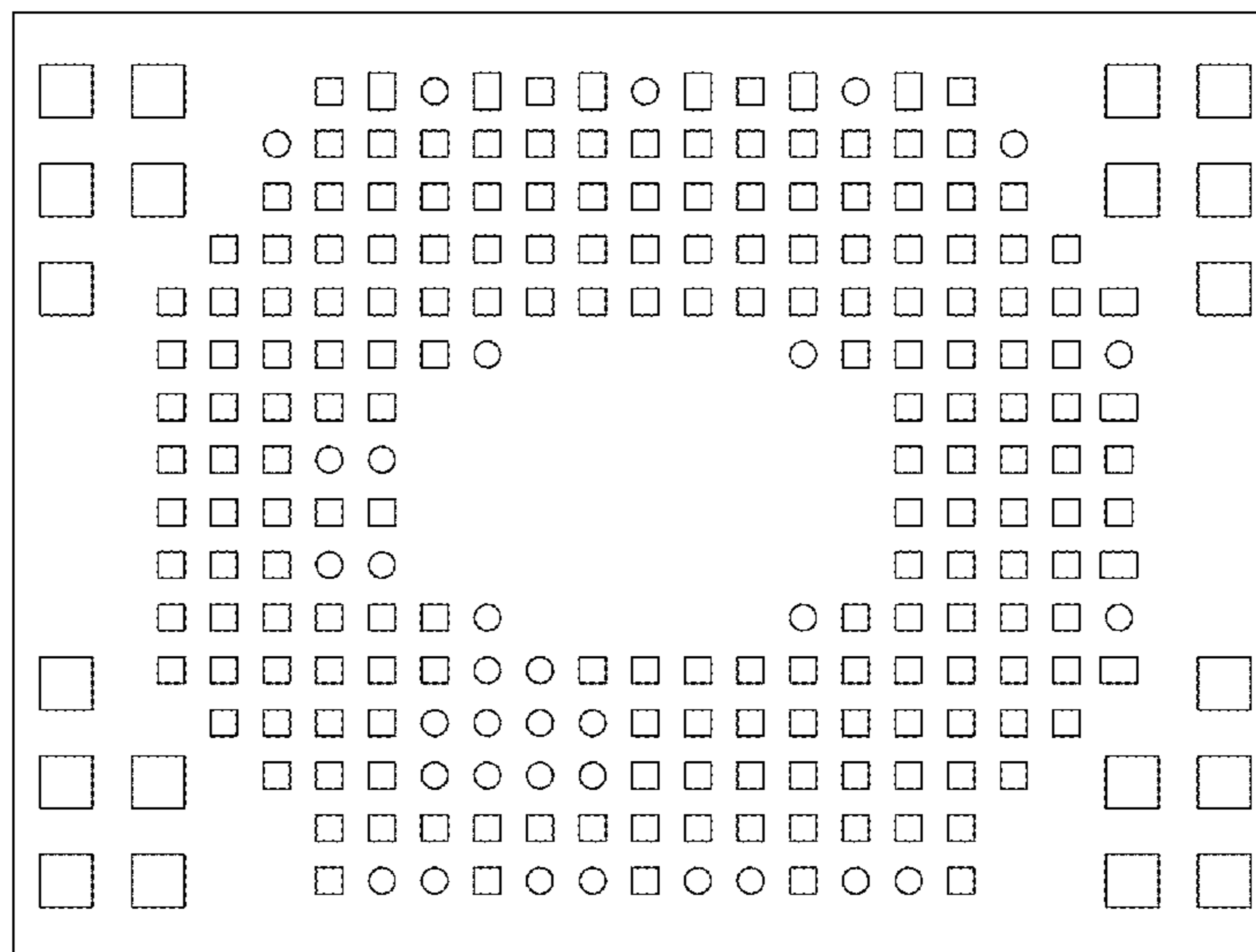
FIG. 5.5 is a front view thereof;

FIG. 5.6 is a rear view thereof; and

FIG. 5.7 is a right side view thereof.

The outermost solid lines in FIGS. 1.1, 3.1, and 5.1 depict claimed boundaries of the claimed design. The broken lines showing the remainder of the cellular module depict environmental structure and form no part of the claimed design. Portions of the cellular module not shown in the drawing form no part of the claimed design.

1 Claim, 21 Drawing Sheets



(56)

References Cited

U.S. PATENT DOCUMENTS

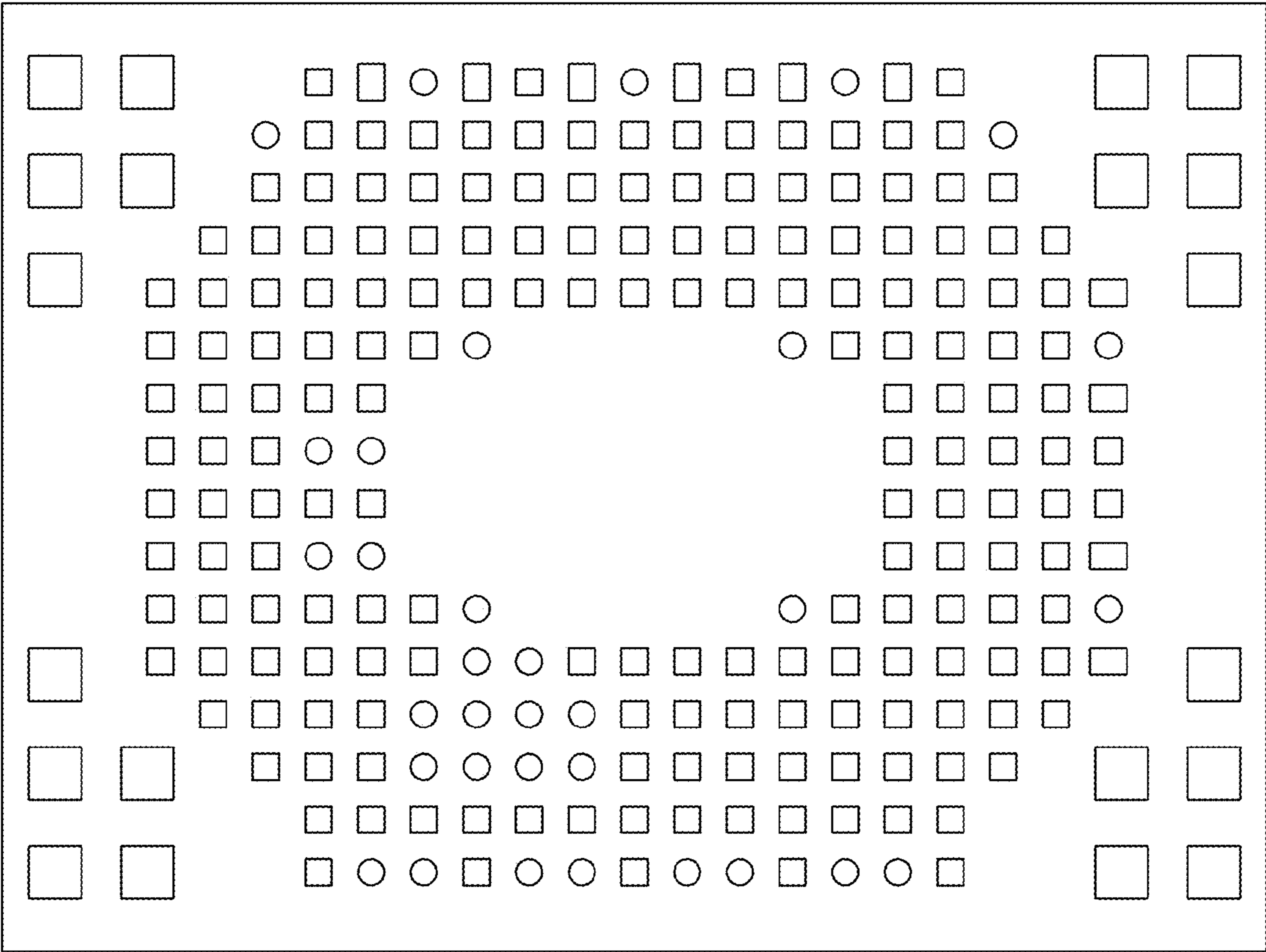
| | | | | | | |
|--------------|----|---|---------|------------|-------|----------------------|
| D643,427 | S | * | 8/2011 | McGoldrick | | D14/356 |
| D699,201 | S | * | 2/2014 | Petsch | | D13/182 |
| D730,304 | S | * | 5/2015 | Matsumoto | | D13/182 |
| D757,693 | S | * | 5/2016 | Sudo | | D14/230 |
| D768,115 | S | * | 10/2016 | Kazanchian | | D14/230 |
| D778,850 | S | * | 2/2017 | Matsumoto | | D13/182 |
| D778,851 | S | * | 2/2017 | Matsumoto | | D13/182 |
| D778,852 | S | * | 2/2017 | Matsumoto | | D13/182 |
| D821,331 | S | * | 6/2018 | Druscovich | | D13/147 |
| D830,348 | S | * | 10/2018 | Sudo | | D14/230 |
| D831,009 | S | * | 10/2018 | Horn | | D14/230 |
| D904,355 | S | * | 12/2020 | Horn | | D14/230 |
| 2012/0142398 | A1 | * | 6/2012 | Tamaoka | | H04B 1/38 455/557 |

OTHER PUBLICATIONS

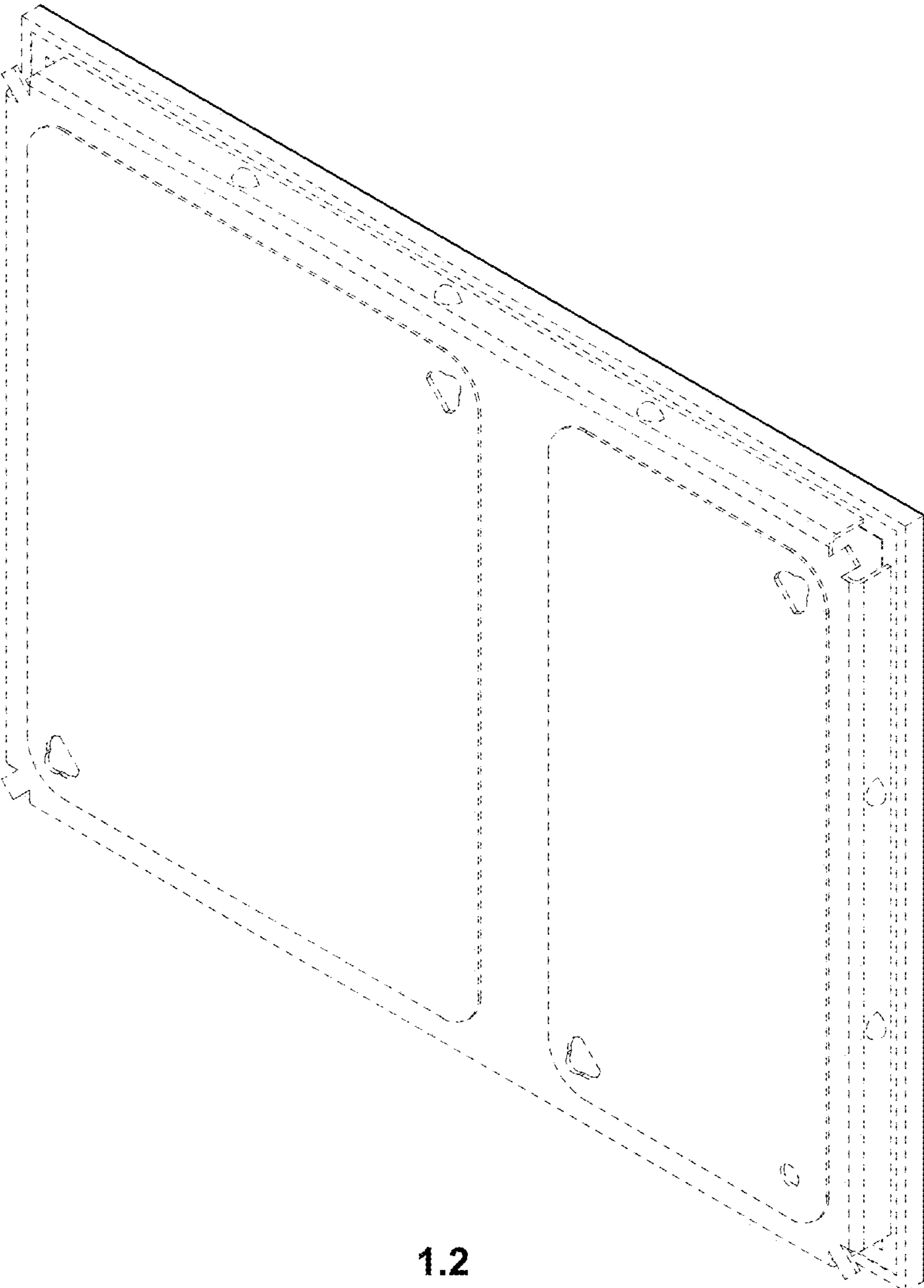
LG Innotek 3G GSM phone module, earliest upload/modification date found Jun. 5, 2017, [online] URL: <https://web.archive.org/web/20210209162217/http://www.lginnotek.com/wp-content/uploads/2017/04/Telematics-Modem-LGA-Type-3G-2.jpg> (Year: 2017).*

Telit GE310-GNSS IoT Module, publication date Nov. 5, 2018, [online] URL: <https://www.gpsworld.com/telits-latest-gnss-iot-module-aimed-at-european-market/> (Year: 2018).*

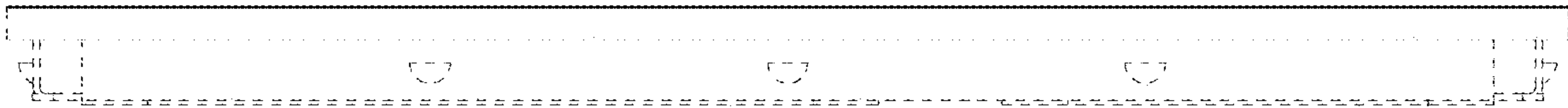
* cited by examiner



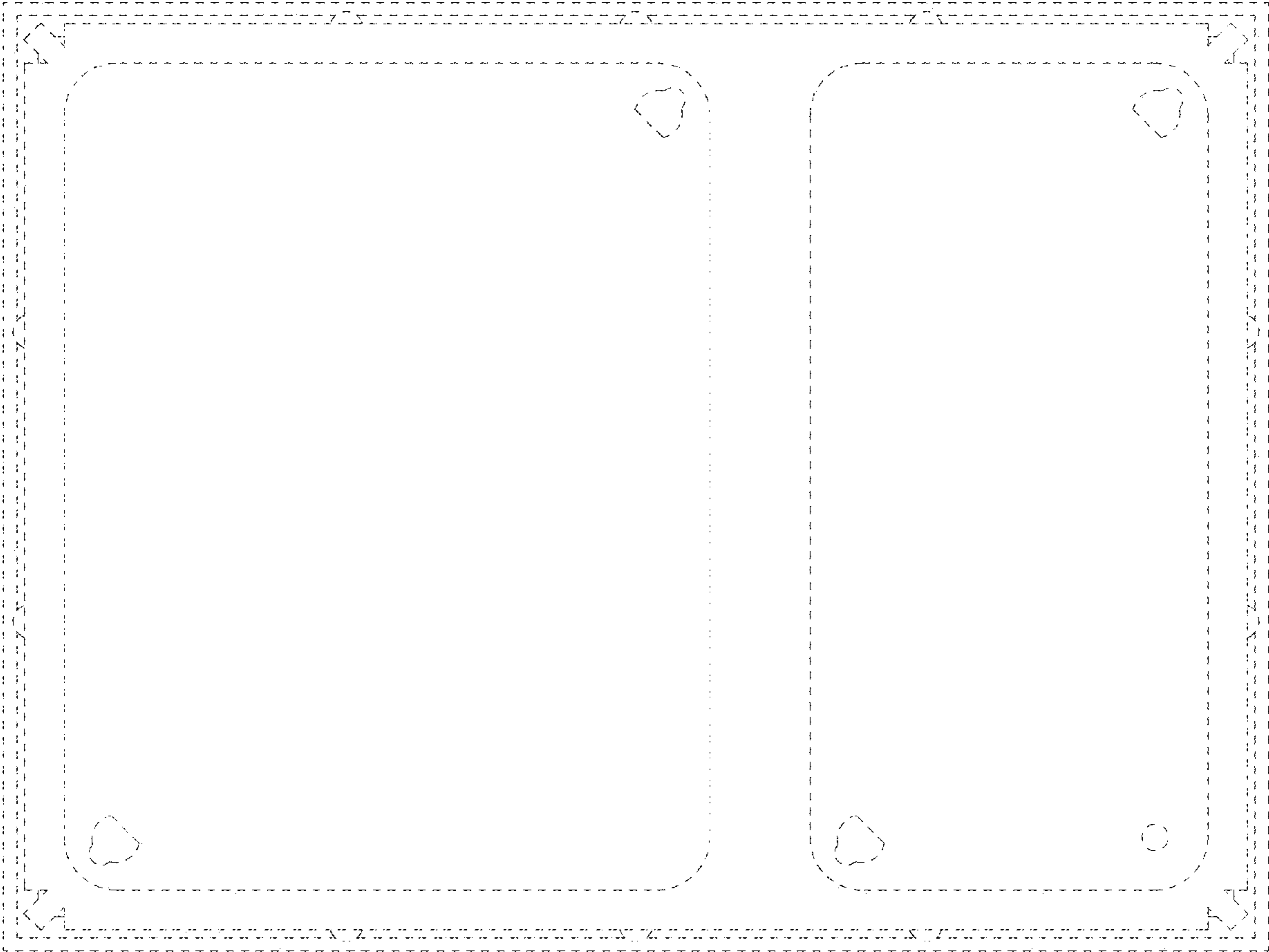
1.1



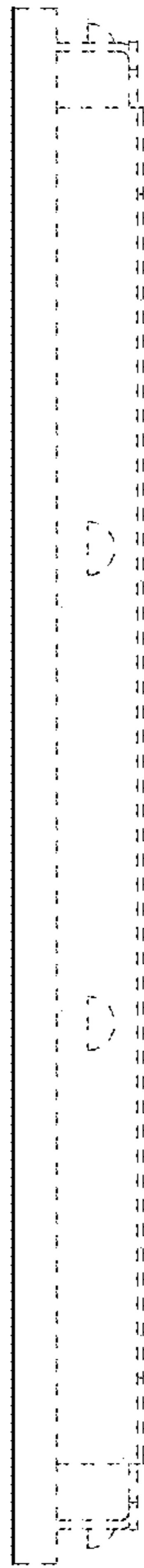
1.2



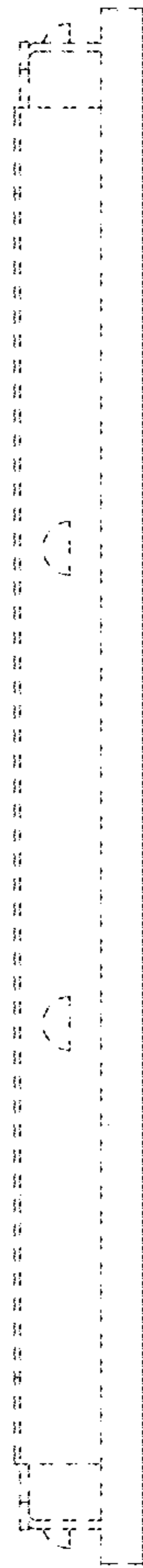
1.3



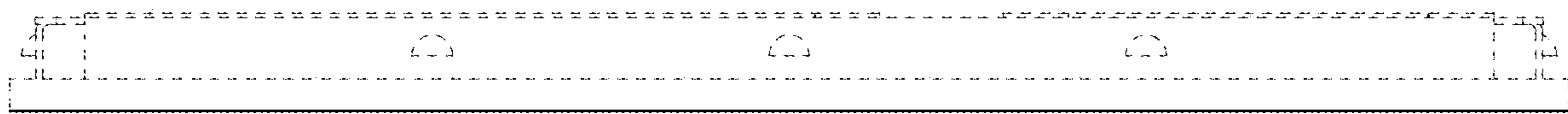
1.4



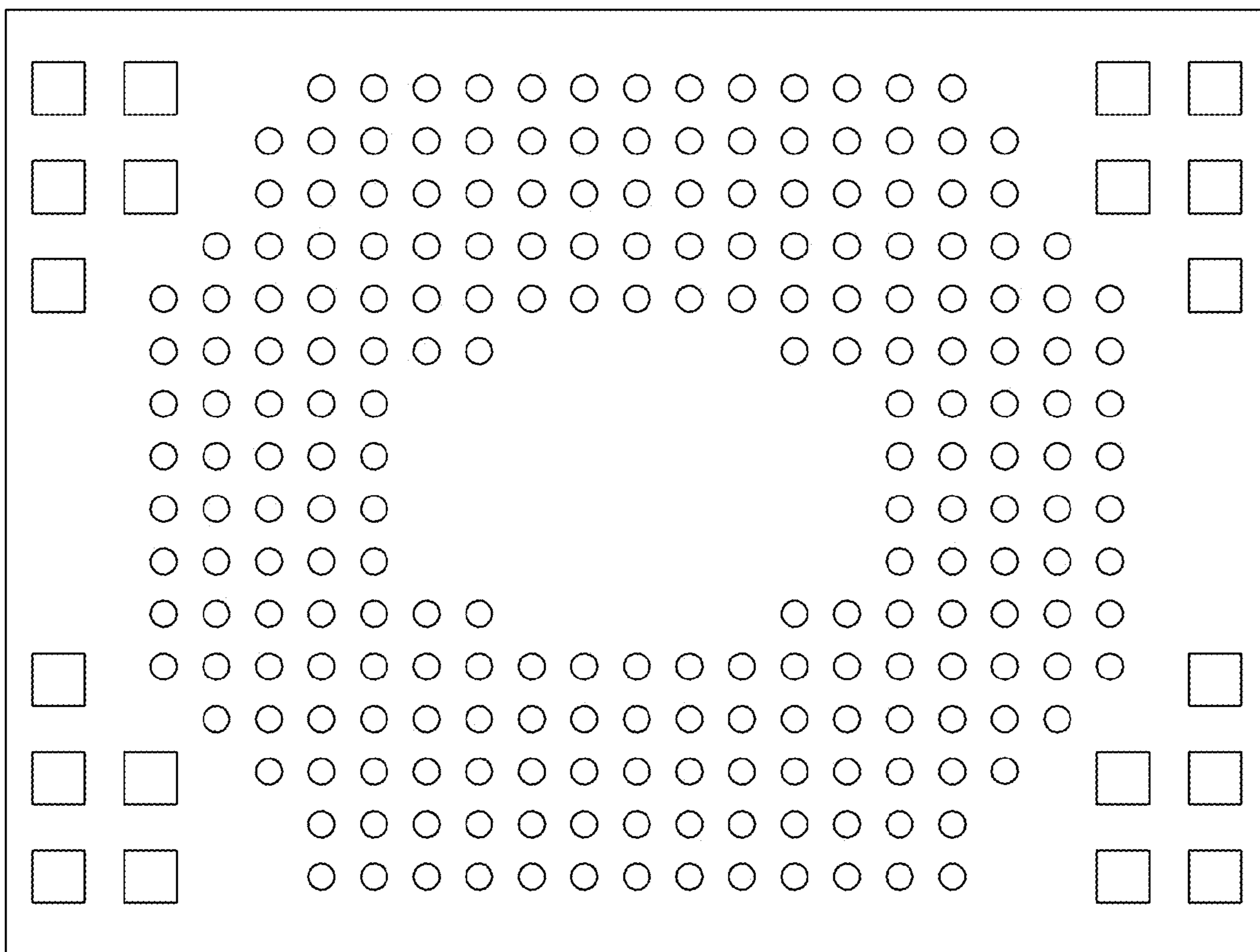
1.5



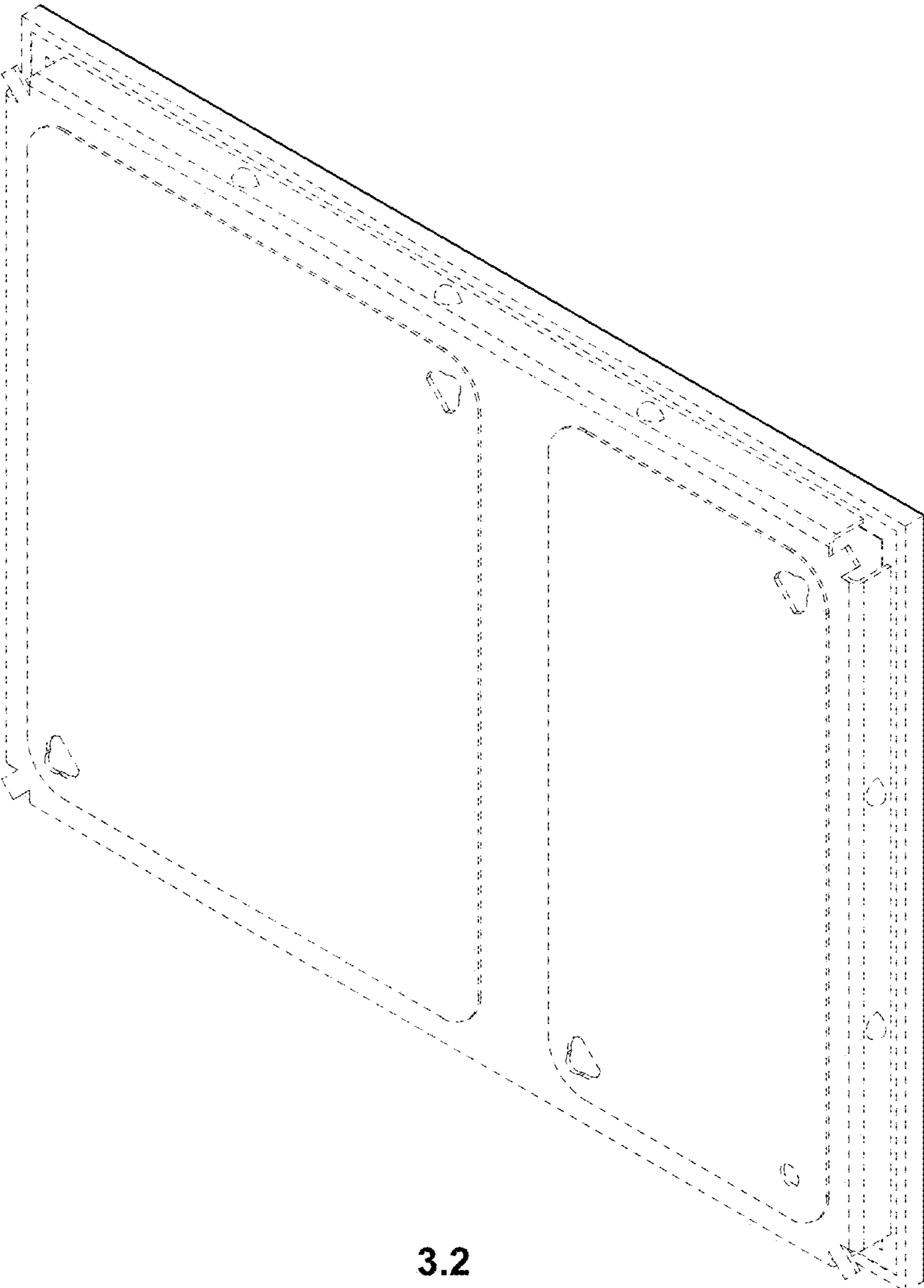
1.6



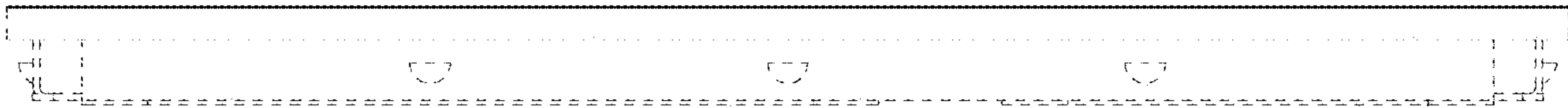
1.7



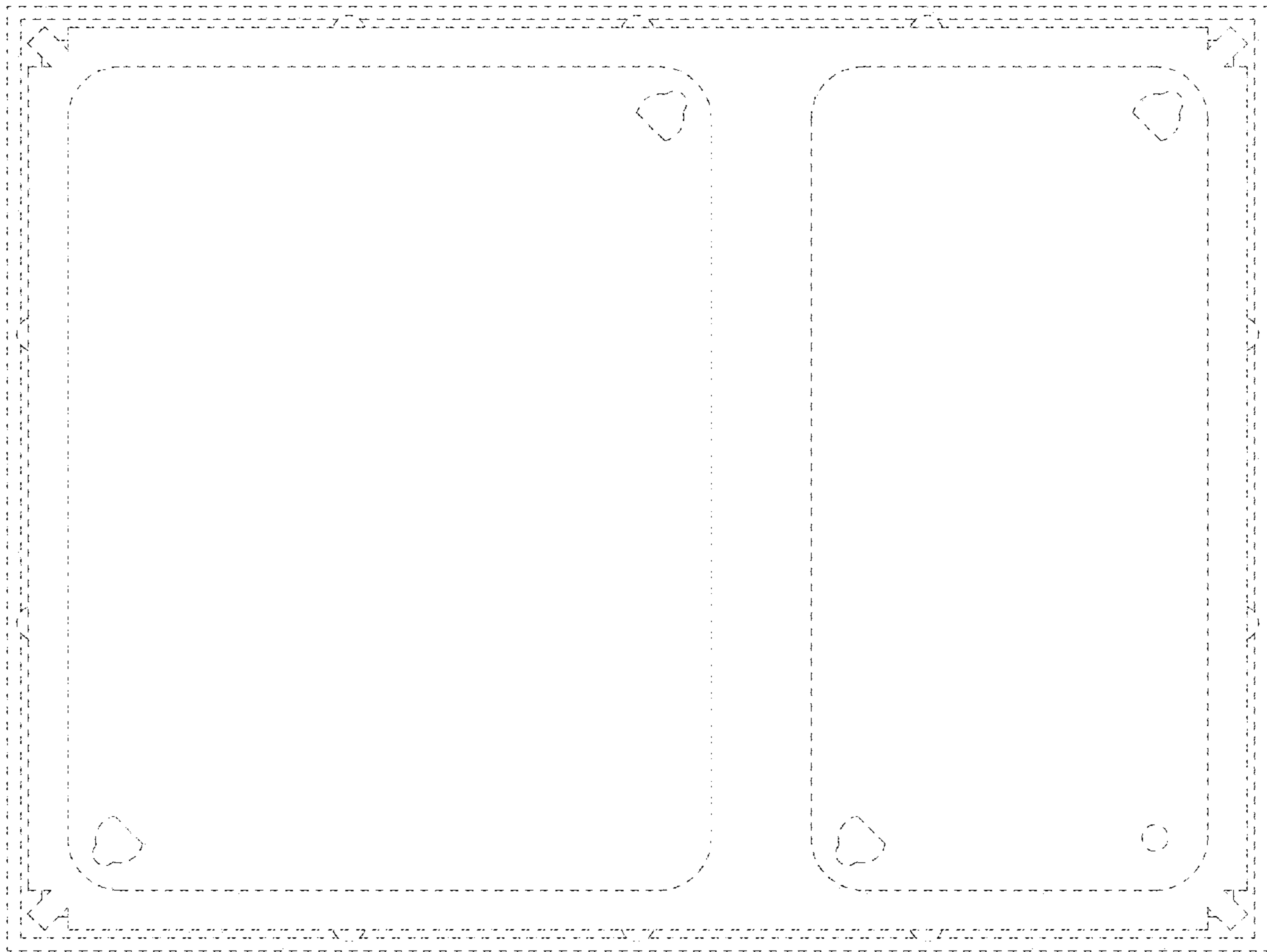
3.1



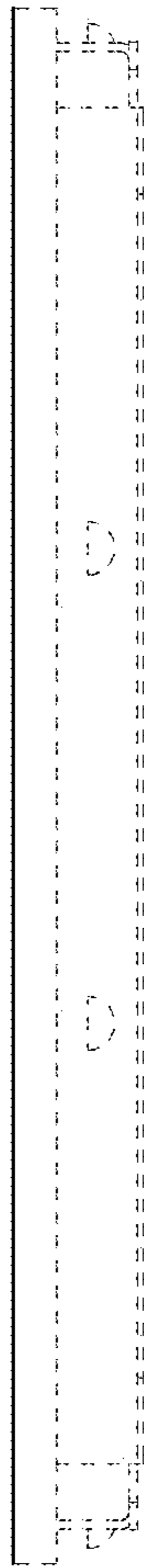
3.2



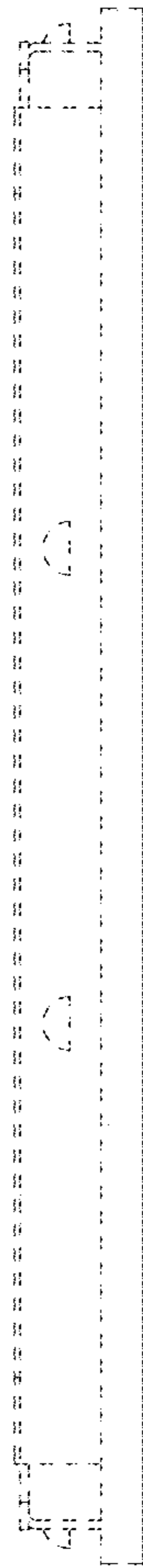
3.3



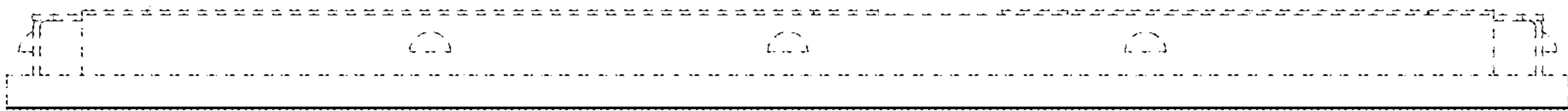
3.4



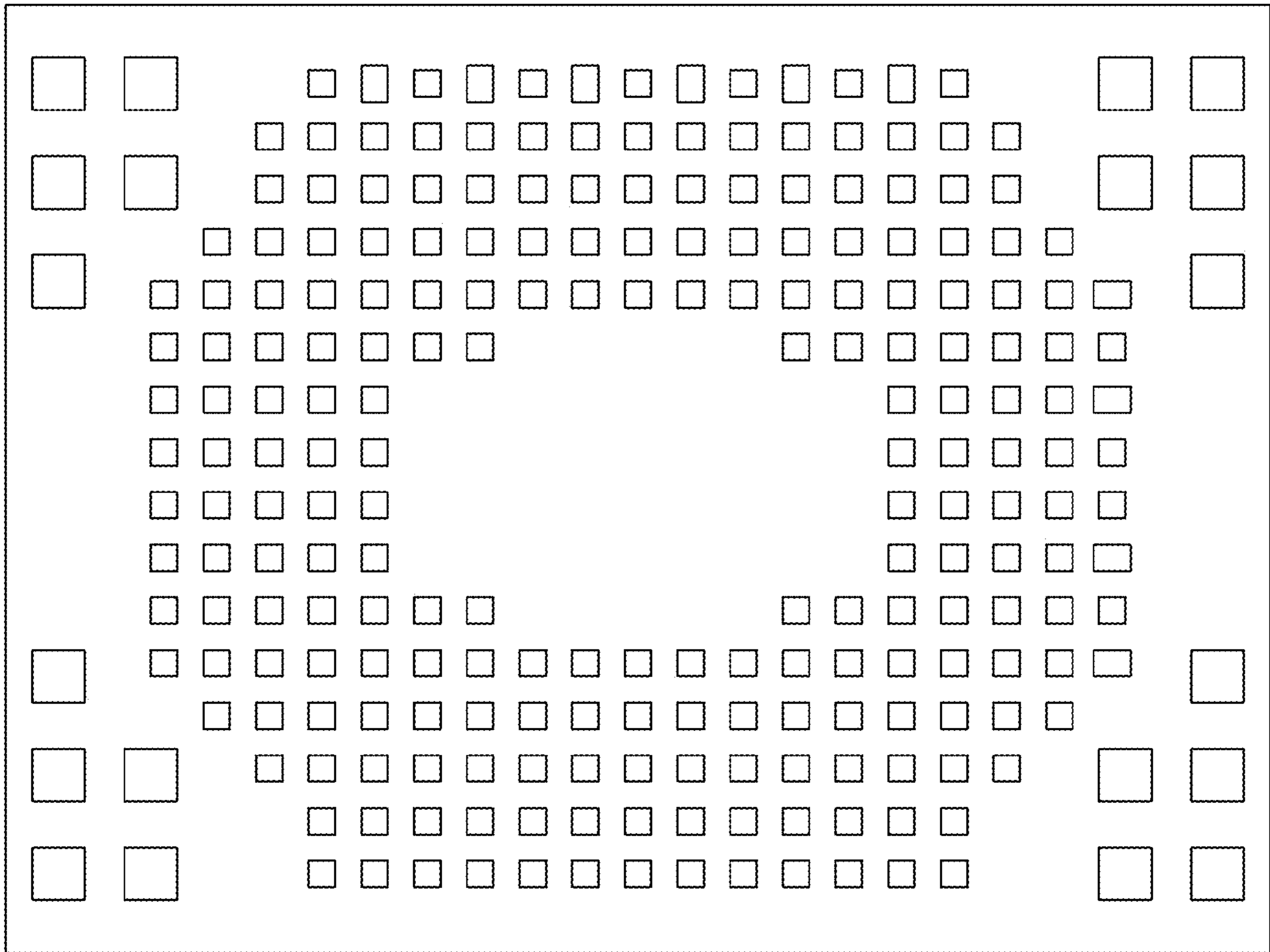
3.5



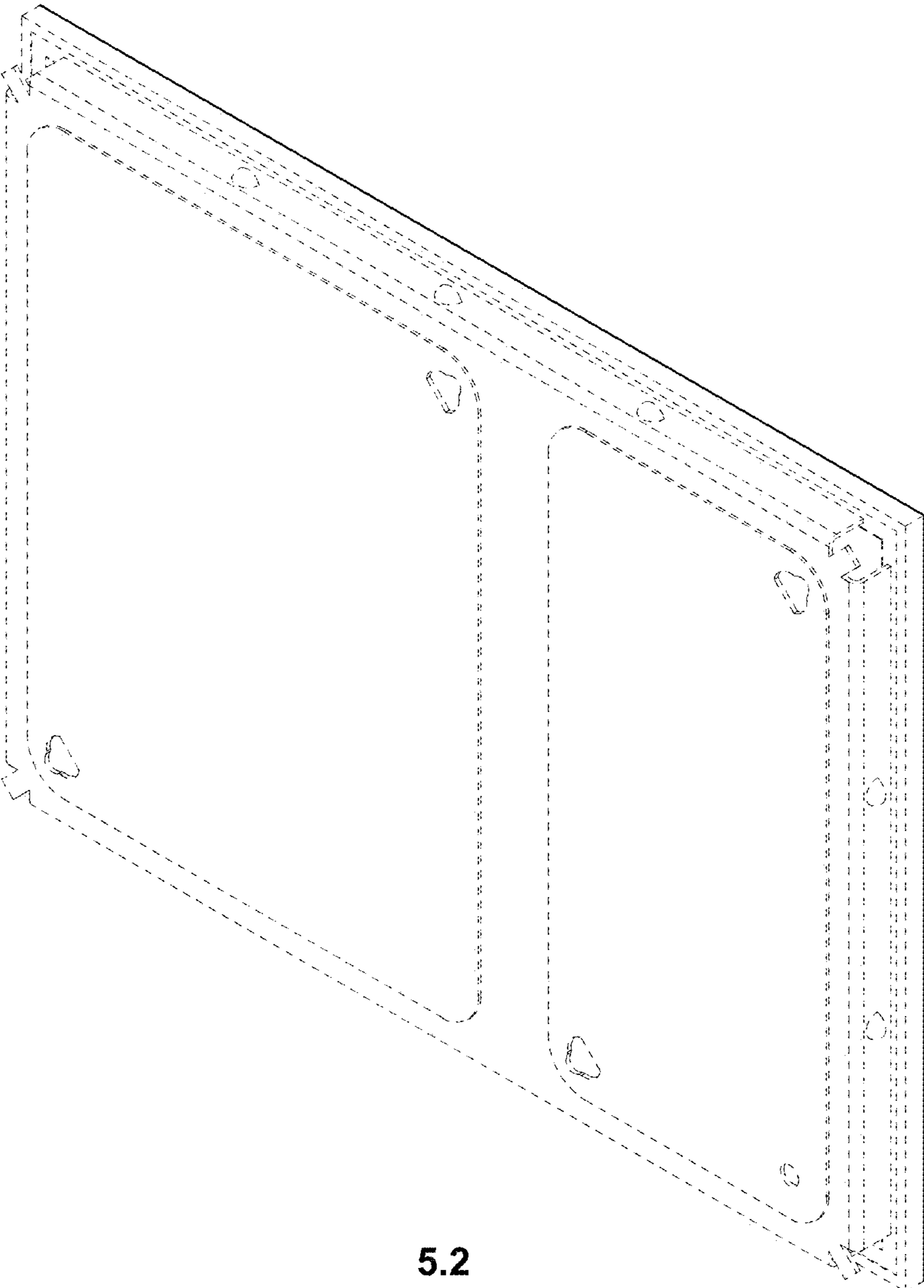
3.6



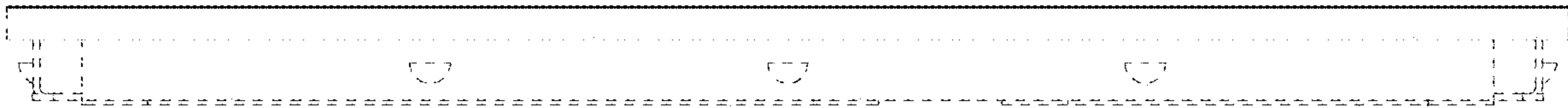
3.7



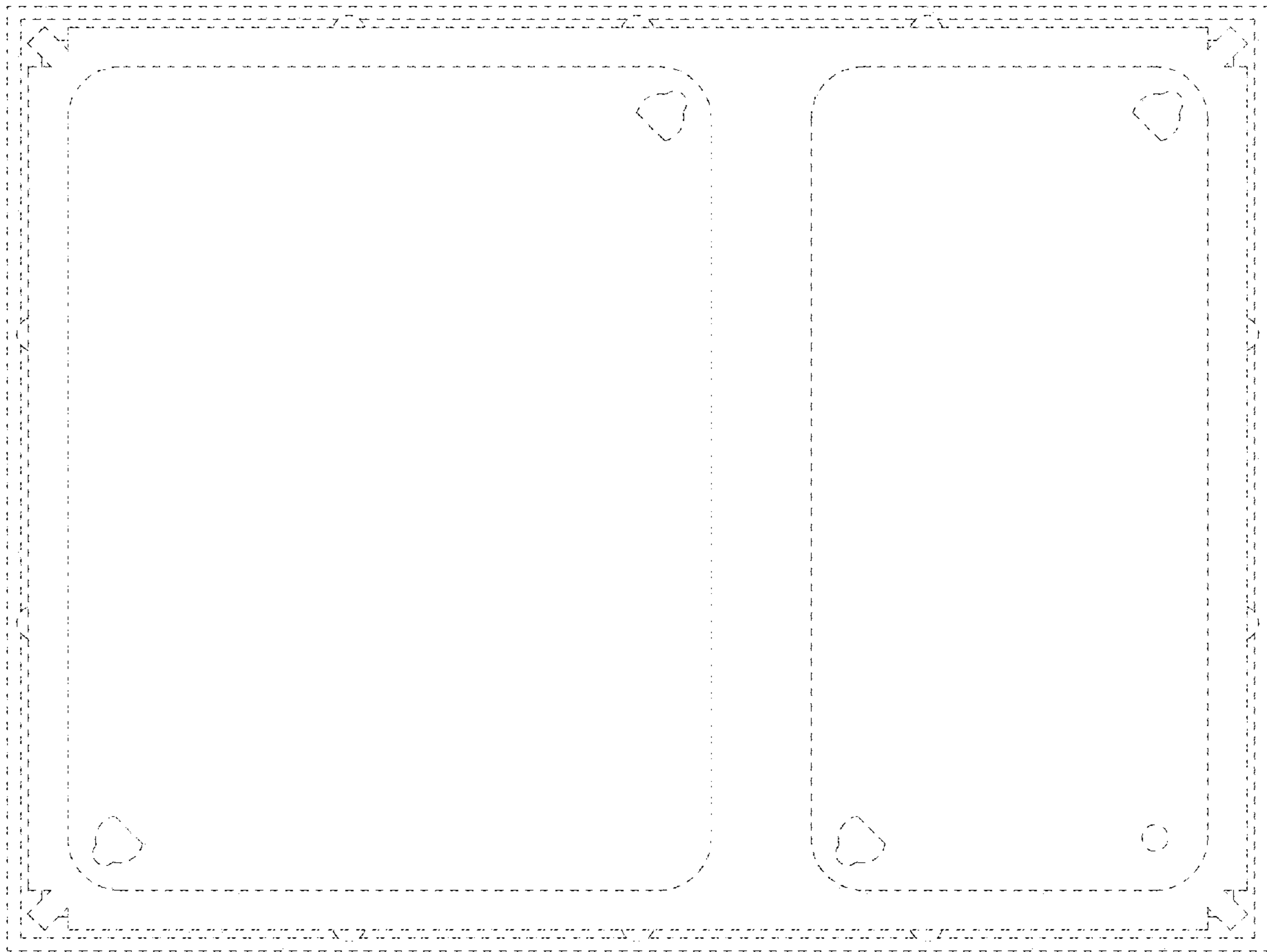
5.1



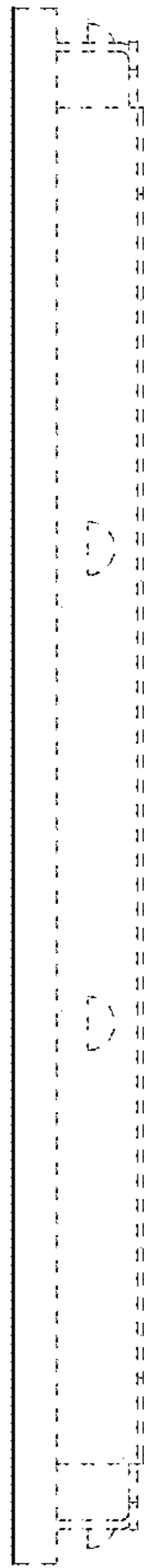
5.2



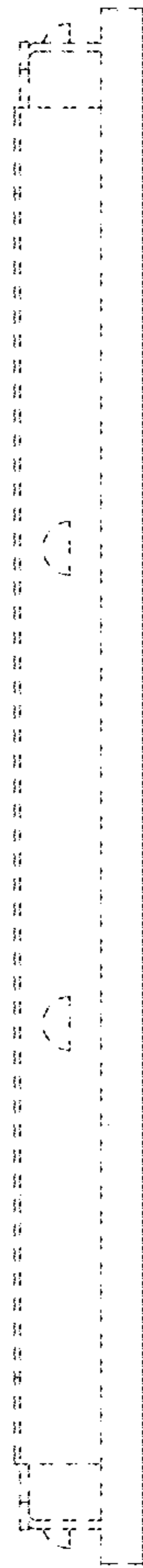
5.3



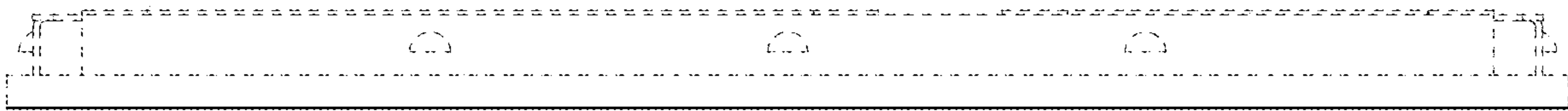
5.4



5.5



5.6



5.7