



US00D942973S

(12) **United States Design Patent**
Lu

(10) **Patent No.:** **US D942,973 S**

(45) **Date of Patent:** **** Feb. 8, 2022**

(54) **MICROPHONE**

(71) Applicant: **Phenyx Technology, LLC**, San Diego, CA (US)

(72) Inventor: **Xiaohui Lu**, Shenzhen (CN)

(**) Term: **15 Years**

(21) Appl. No.: **29/783,395**

(22) Filed: **May 13, 2021**

(51) **LOC (13) Cl.** **14-01**

(52) **U.S. Cl.**
USPC **D14/227**

(58) **Field of Classification Search**
USPC D14/227, 225, 226, 228, 229, 211, 218;
D21/483; D26/63, 51, 46, 24; D16/244;
D6/681; 381/361, 172, 356, 363, 355,
381/122; 248/291.1; 362/371
CPC H04R 11/04; H04R 3/00; H04R 19/04;
H04R 9/06; H04R 5/02; H04R 9/08;
H04R 1/08; H04R 1/02; H04R 25/00;
A47B 85/00

See application file for complete search history.

(56) **References Cited**

U.S. PATENT DOCUMENTS

1,105,039 A * 7/1914 Olbon F16M 13/02
248/126
2,081,622 A * 5/1937 Foster H04R 1/08
381/361
2,870,856 A * 1/1959 Olson H04R 1/38
181/242
2,920,140 A * 1/1960 Morgan H04R 19/04
381/113
D199,398 S * 10/1964 Freeman D14/227
3,185,837 A * 5/1965 Stern F21V 19/02
362/371
3,543,016 A * 11/1970 Jones F21V 21/30
362/371
D225,262 S * 11/1972 Demeurant D26/65

D233,669 S * 11/1974 Plice D14/228
D242,945 S * 1/1977 Moore D26/65
4,075,470 A * 2/1978 Moore B60Q 7/00
362/287
4,323,953 A * 4/1982 Hutchison F21V 19/04
362/220
4,383,487 A * 5/1983 Fitzner A47F 5/04
108/150
4,501,201 A * 2/1985 Fitzner F16M 11/041
108/150
D376,803 S * 12/1996 Lee D14/497
(Continued)

FOREIGN PATENT DOCUMENTS

CN 305291290 * 8/2019
CN 306760736 * 8/2021
(Continued)

Primary Examiner — Paula Allen Greene

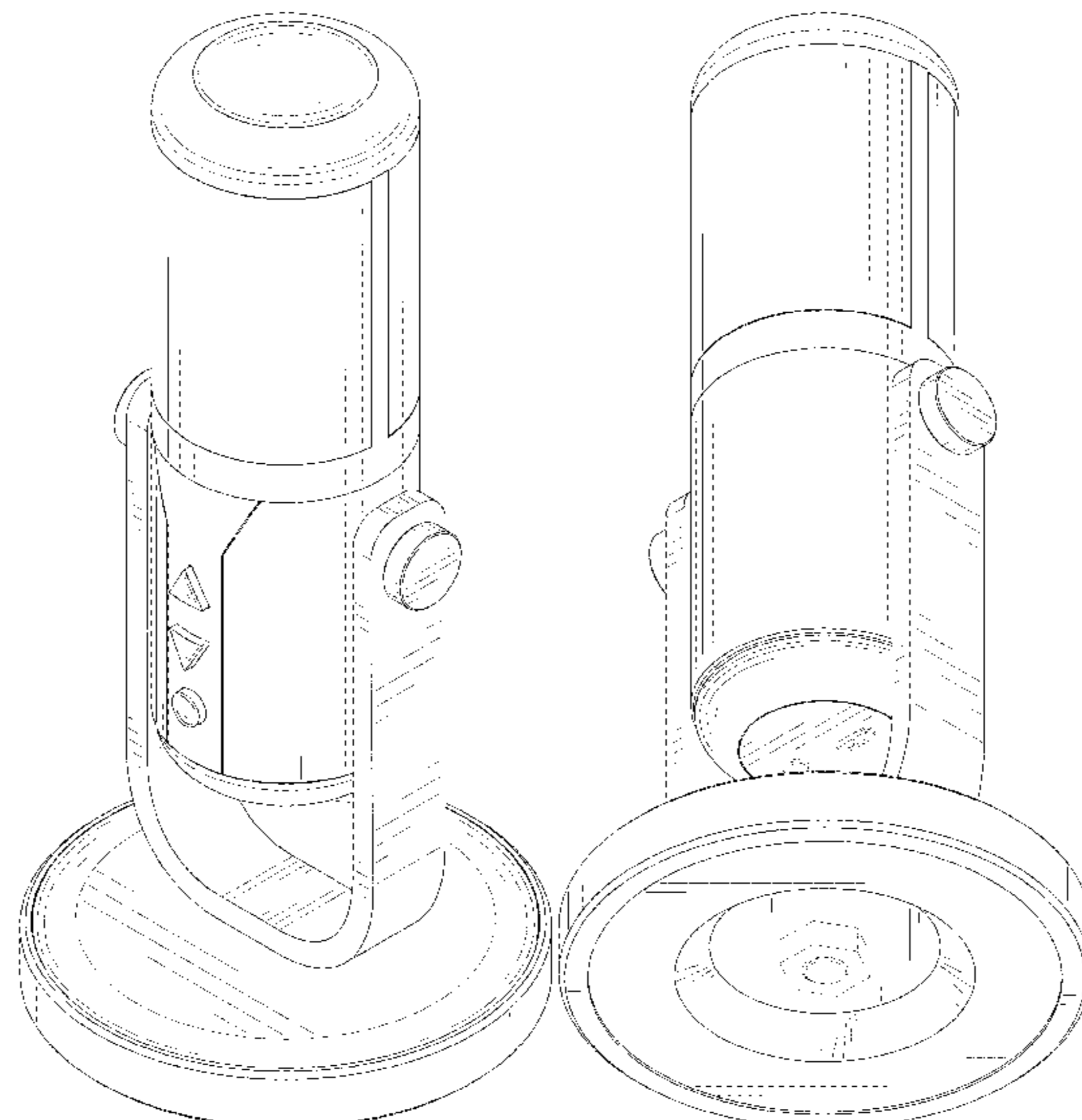
(57) **CLAIM**

The ornamental design for a microphone, as shown and described.

DESCRIPTION

FIG. 1 is a front and top perspective view of a microphone, showing my new design;
FIG. 2 is a rear and bottom perspective view thereof;
FIG. 3 is a front elevation view thereof;
FIG. 4 is a rear elevation view thereof;
FIG. 5 is a left side elevation view thereof;
FIG. 6 is a right side elevation view thereof;
FIG. 7 is a top plan view thereof; and,
FIG. 8 is a bottom plan view thereof.
The broken lines immediately adjacent the shaded areas represent the bounds of the claimed design while all other broken lines are directed to environment; the broken lines form no part of the claimed design.

1 Claim, 8 Drawing Sheets



(56)

References Cited

U.S. PATENT DOCUMENTS

6,061,457 A * 5/2000 Stockhamer H04R 1/00
 367/140
 D447,131 S * 8/2001 Hough D14/228
 D486,259 S * 2/2004 Crawford D26/46
 D594,856 S * 6/2009 Marshall D14/228
 D598,595 S * 8/2009 Levine D26/63
 D603,849 S * 11/2009 Durrett D14/228
 D604,274 S * 11/2009 Durrett D14/228
 D604,880 S * 11/2009 Lovegrove D26/63
 D617,930 S * 6/2010 Chen D26/63
 D629,549 S * 12/2010 Feigenbaum D26/63
 D766,303 S * 9/2016 Anzures D14/486
 9,877,113 B2 * 1/2018 Akino H04R 7/122
 D834,004 S * 11/2018 Chen D14/226
 D834,564 S * 11/2018 Chen D14/226
 D835,612 S * 12/2018 Tong D14/225
 D842,278 S * 3/2019 Tong D14/227
 D848,404 S * 5/2019 Chen D14/227
 D849,721 S * 5/2019 Chen D14/227
 D851,073 S * 6/2019 Tong D14/227
 D864,922 S * 10/2019 Mai D14/227
 D890,141 S * 7/2020 Chen D14/228

D890,732 S * 7/2020 Chen D14/227
 D895,583 S * 9/2020 Smith D14/227
 D899,407 S * 10/2020 Mai D14/227
 D917,429 S * 4/2021 Xiang D14/225
 D917,430 S * 4/2021 Mai D14/225
 D917,432 S * 4/2021 Mai D14/227
 D917,433 S * 4/2021 Wang D14/228
 D918,876 S * 5/2021 Mai D14/227
 D919,604 S * 5/2021 Mai D14/227
 D931,839 S * 9/2021 Bryant D14/227
 2006/0002576 A1 * 1/2006 Akino H04R 1/021
 381/361
 2008/0152174 A1 * 6/2008 Marshall H04R 19/04
 381/172
 2010/0208929 A1 * 8/2010 Heil H04R 11/04
 381/355
 2012/0237072 A1 * 9/2012 Akino H04R 19/04
 381/356

FOREIGN PATENT DOCUMENTS

CN 306900305 * 10/2021
 CN 306921654 * 11/2021

* cited by examiner

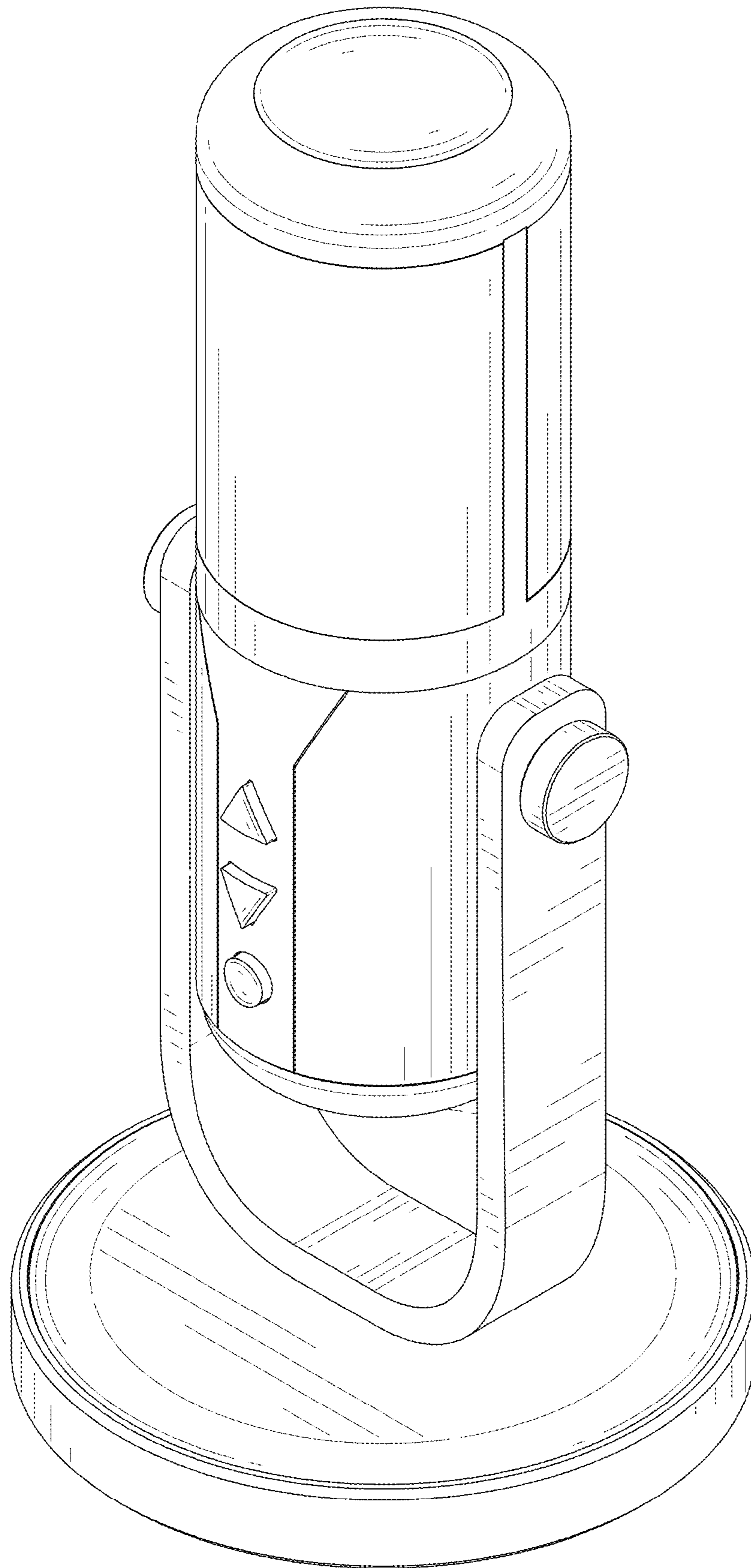


FIG. 1

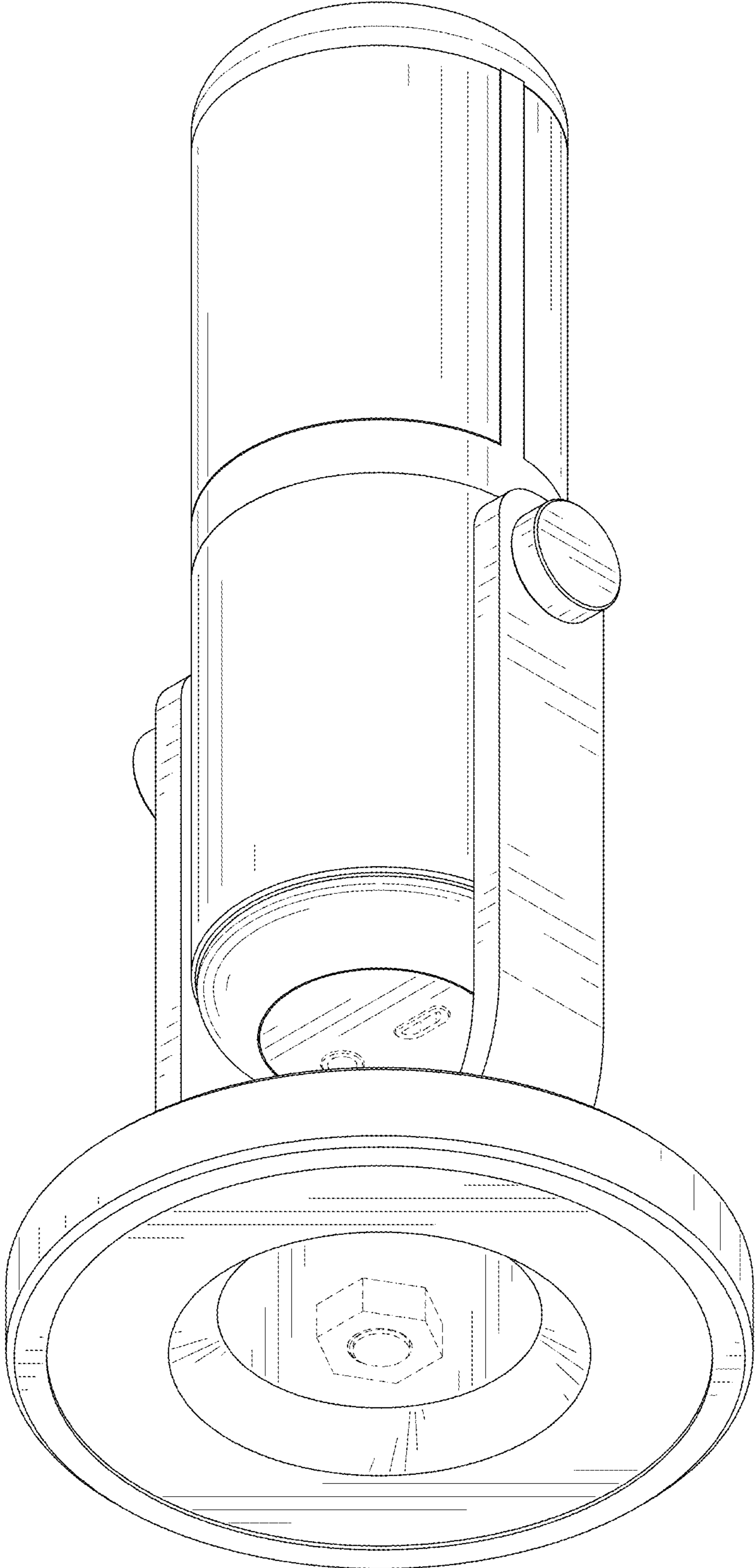


FIG. 2

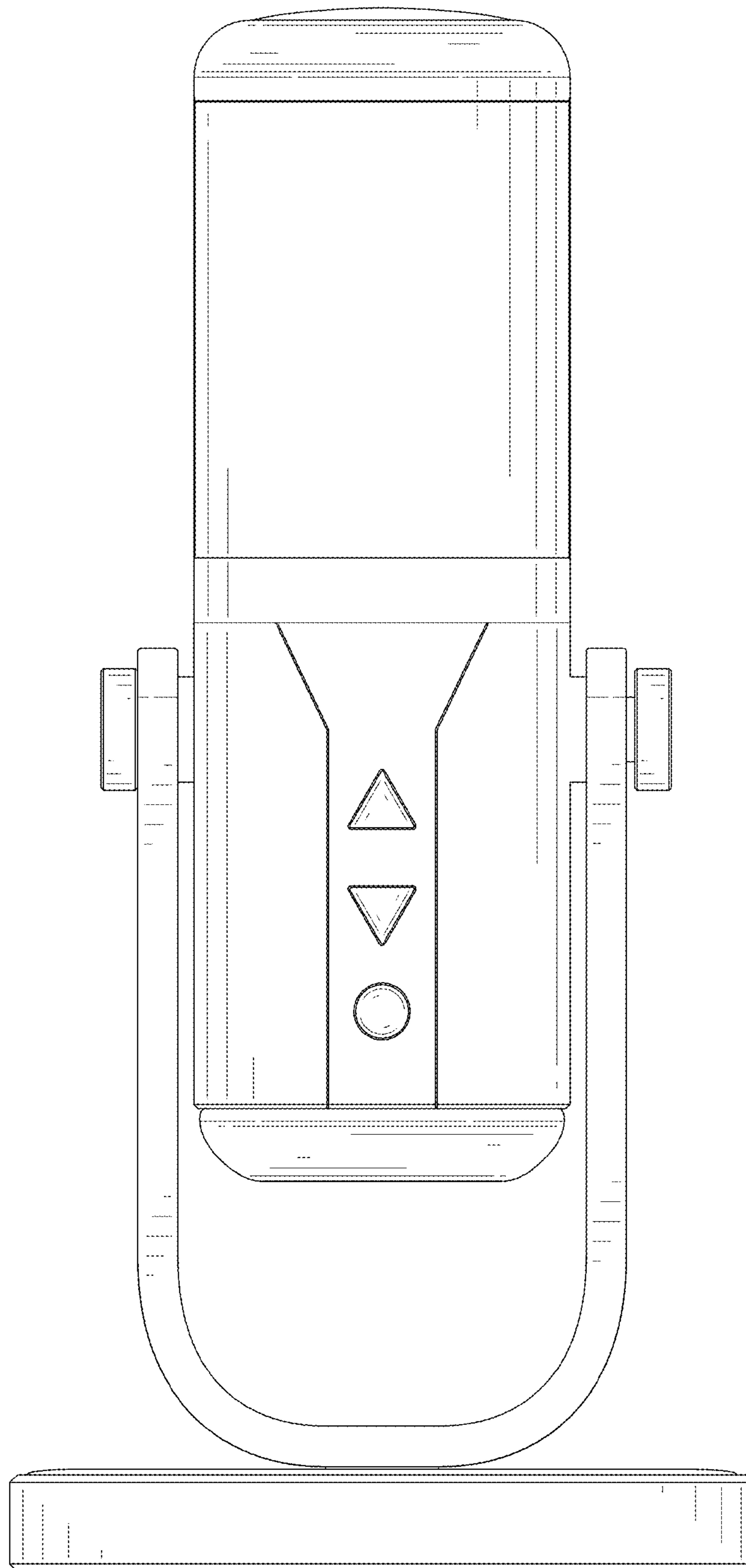


FIG. 3

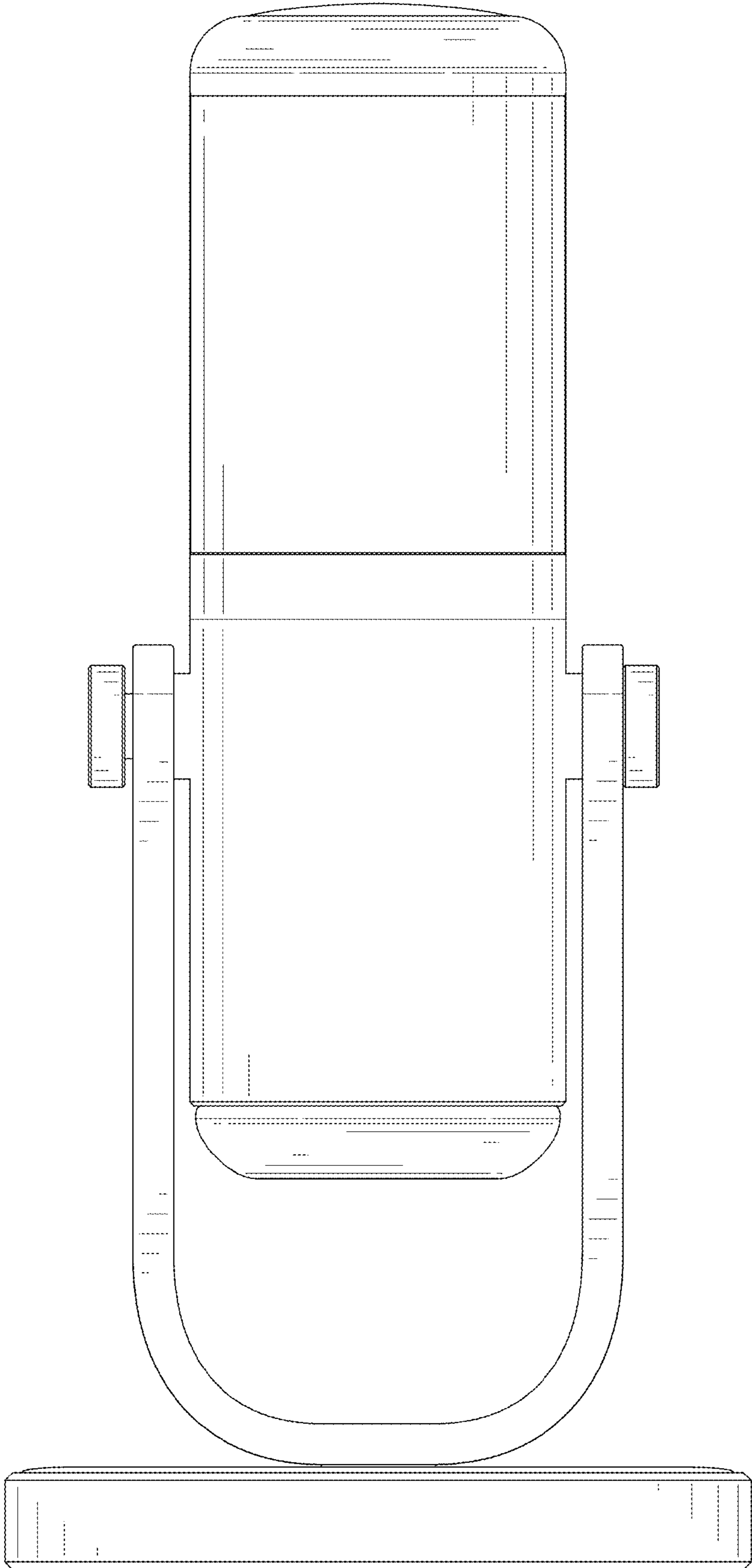


FIG. 4

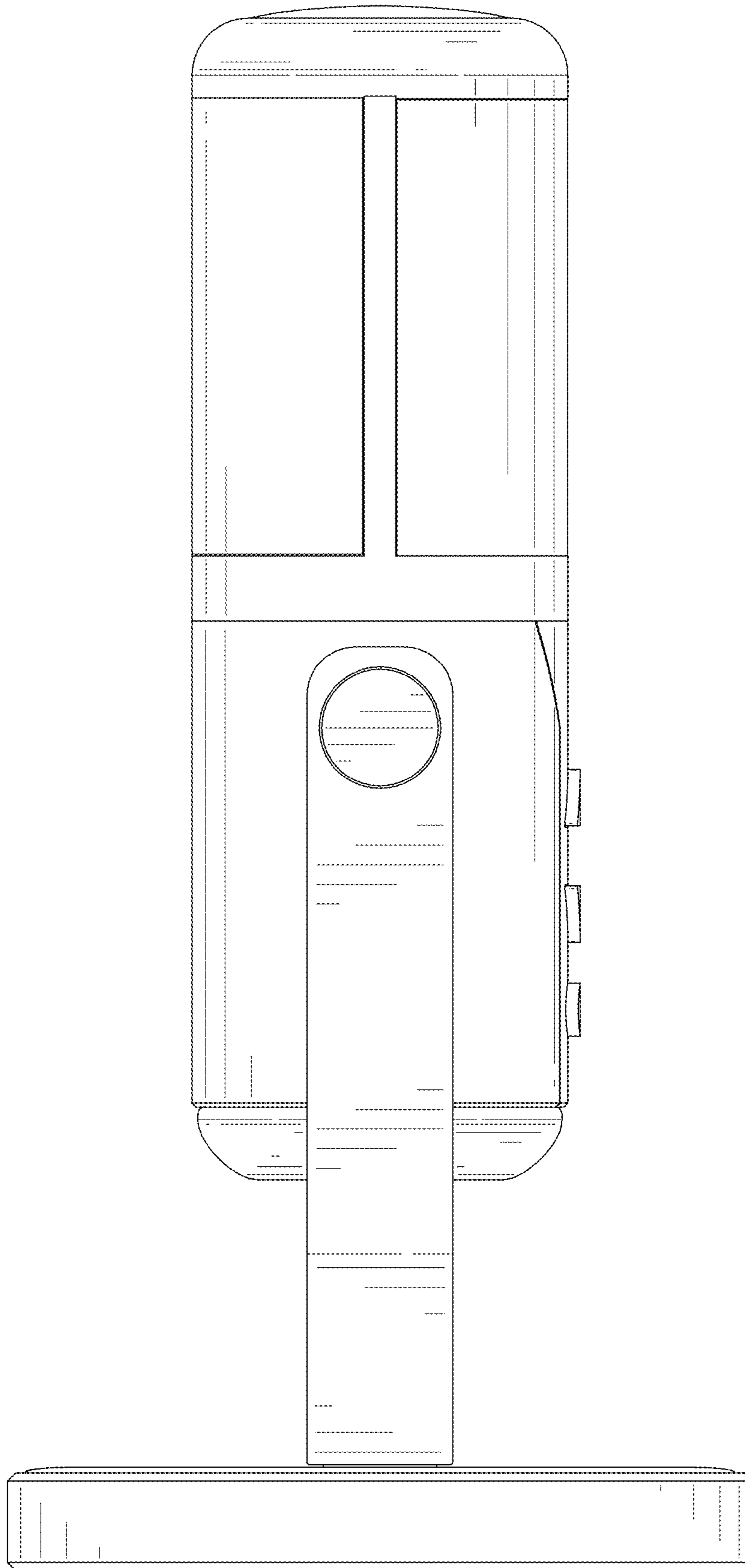


FIG. 5

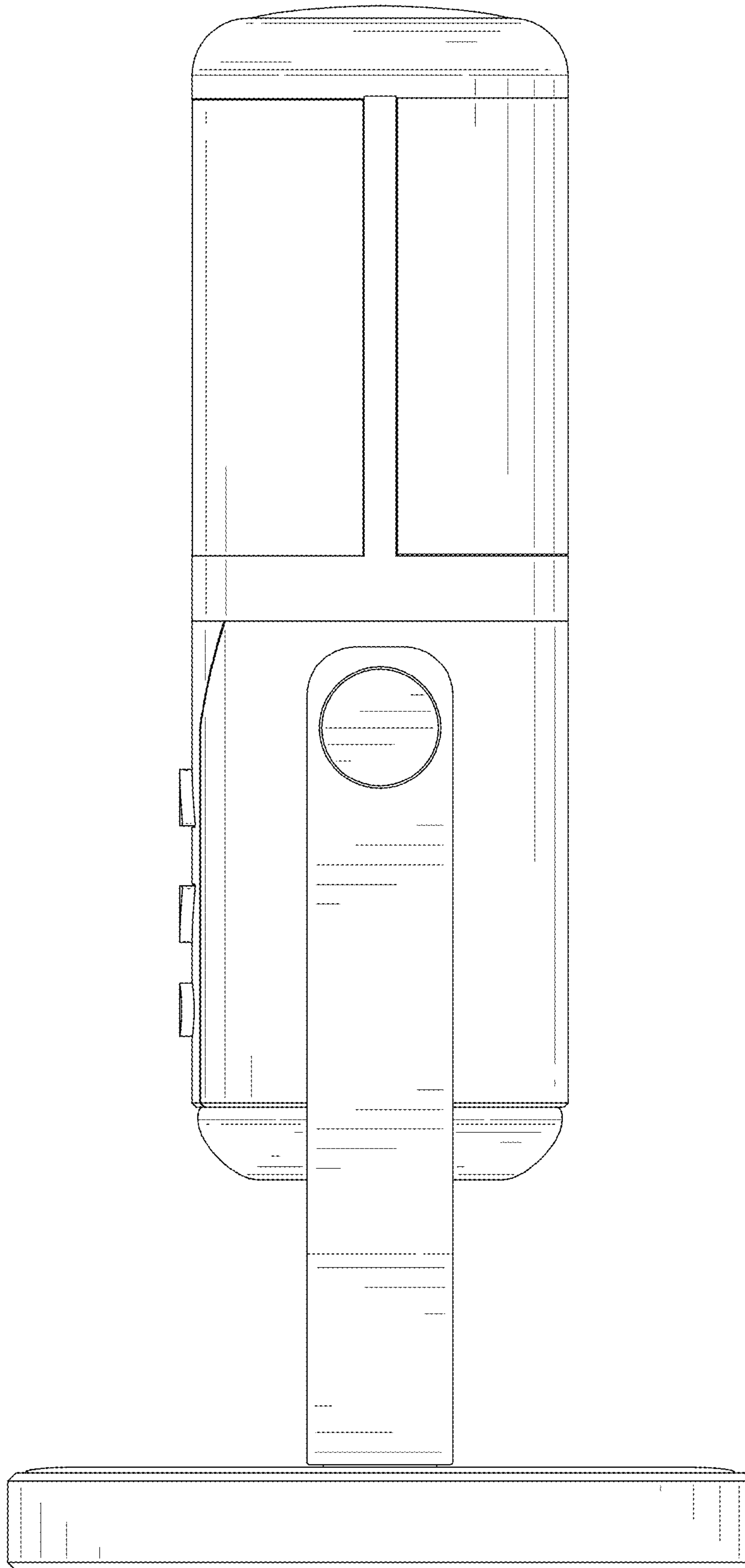


FIG. 6

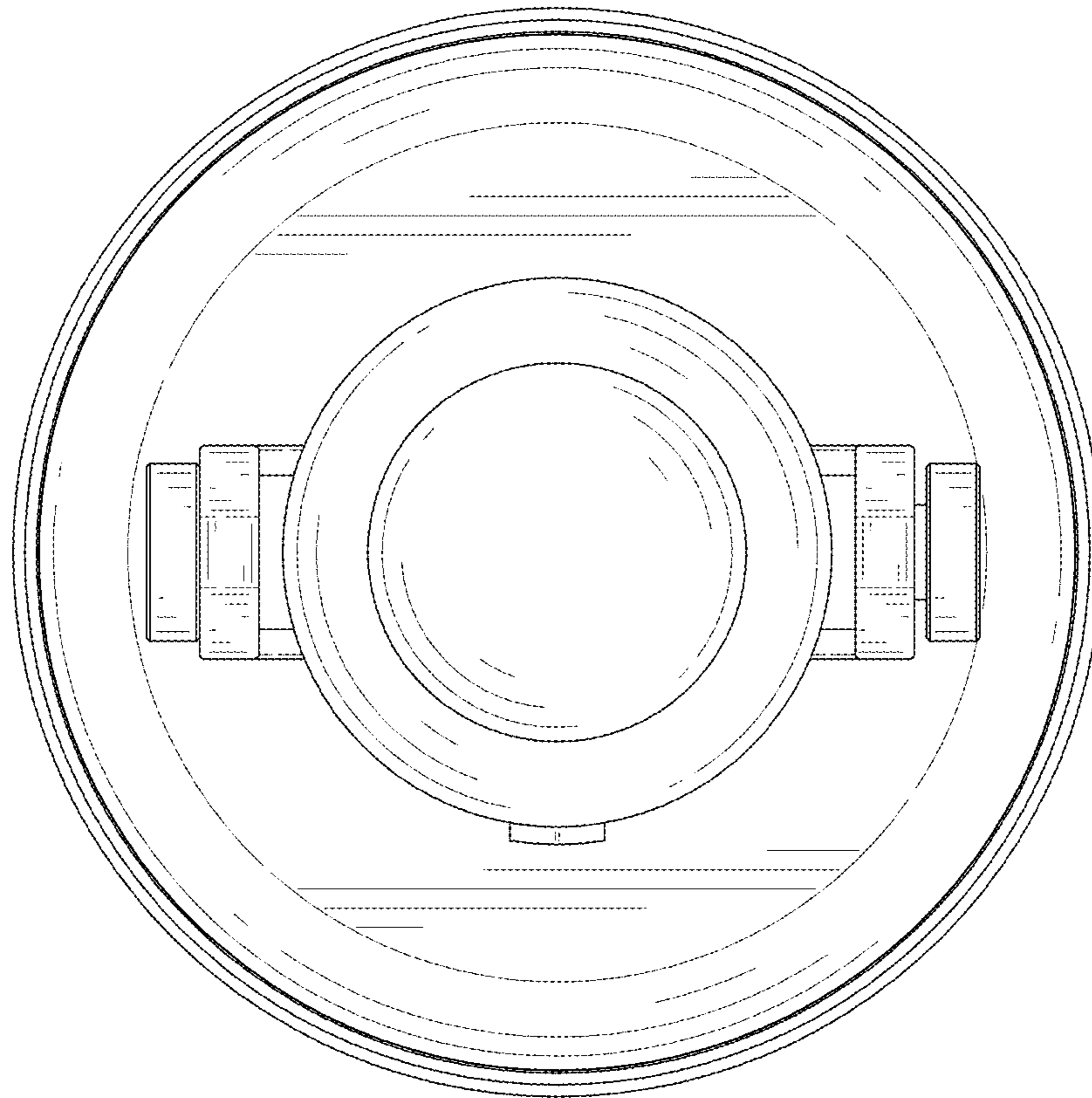


FIG. 7

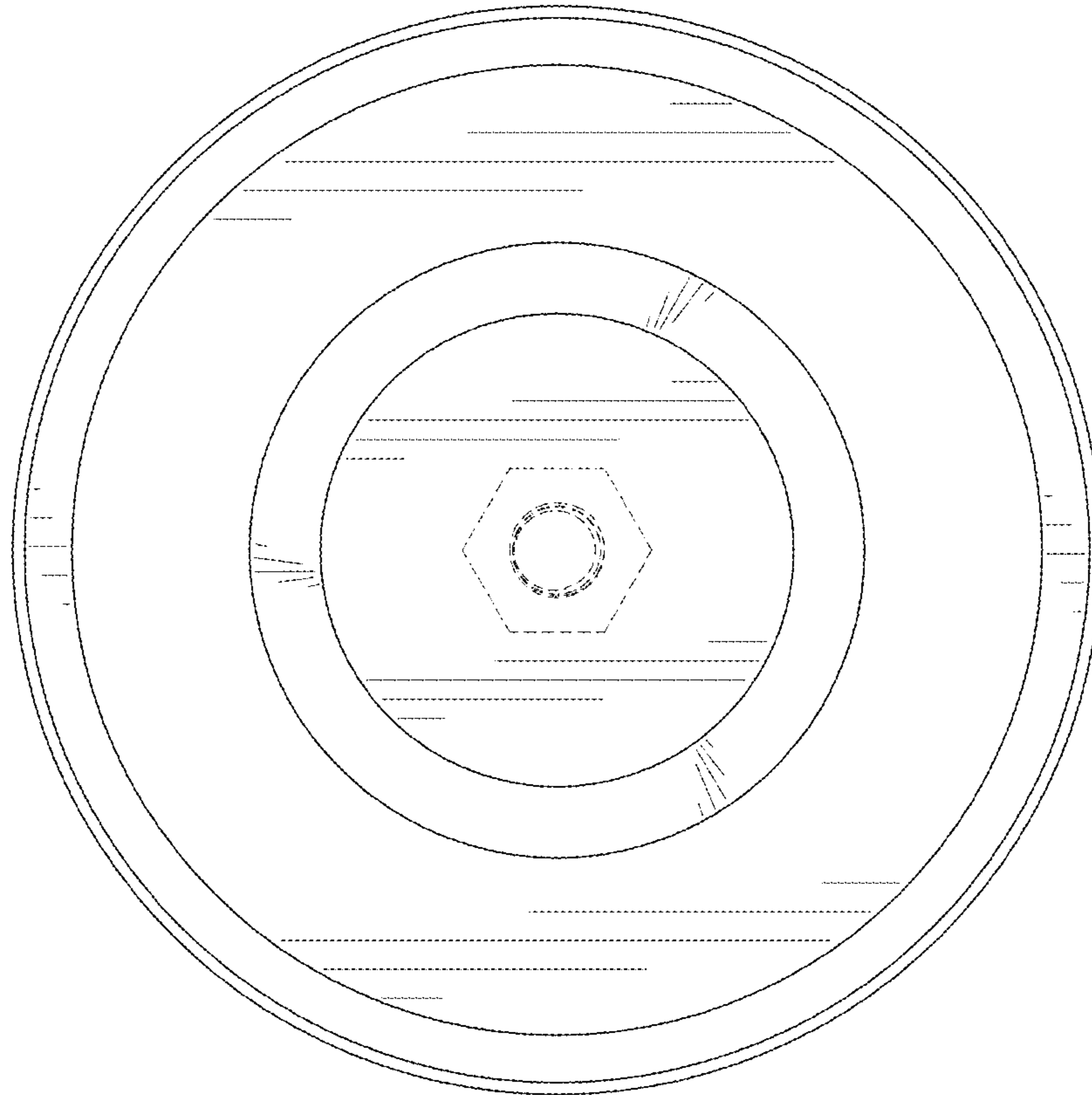


FIG. 8