

US00D942968S

(12) **United States Design Patent** (10) **Patent No.:** **US D942,968 S**
Maier (45) **Date of Patent:** **** Feb. 8, 2022**

(54) **REMOTE CONTROL** D658,636 S * 5/2012 Maier D14/218
D695,272 S * 12/2013 Hansen D14/218
(71) Applicant: **Fm marketing gmbh**, Neumarkt am Wallersee (AT) D795,842 S * 8/2017 Cha D14/218
D803,815 S * 11/2017 Maier D14/218
D858,486 S * 9/2019 Biddle D14/218
(72) Inventor: **Ferdinand Maier**, Neumarkt am Wallersee (AT) D866,527 S * 11/2019 Maier D14/218
D872,058 S * 1/2020 Lai D14/218
D873,245 S * 1/2020 Russo D14/218
D887,393 S * 6/2020 Maier D14/218
(73) Assignee: **Fm marketing GmbH**, Neumarkt am Wallersee (AT) 2012/0206355 A1 * 8/2012 Maier G08C 23/04
345/160

(**) Term: **15 Years**

(21) Appl. No.: **35/508,367**

(22) Filed: **Jul. 22, 2019**

(80) **Hague Agreement Data**

Int. Filing Date: **Jul. 22, 2019**
Int. Reg. No.: **DM/204221**
Int. Reg. Date: **Jul. 22, 2019**
Int. Reg. Pub. Date: **Jan. 24, 2020**

(51) **LOC (13) Cl.** **14-03**

(52) **U.S. Cl.**
USPC **D14/218**

(58) **Field of Classification Search**
USPC D14/218, 324-333, 401; D13/168
CPC H04N 5/44; H04L 17/02; G08C 19/12
See application file for complete search history.

(56) **References Cited**

U.S. PATENT DOCUMENTS

D551,659 S * 9/2007 Shih D14/218
D633,478 S * 3/2011 Bolton D14/218

* cited by examiner

Primary Examiner — Bao-Yen T Nguyen
(74) *Attorney, Agent, or Firm* — Dragon Sun Law Firm, PC; Jinggao Li, Esq.

(57) **CLAIM**

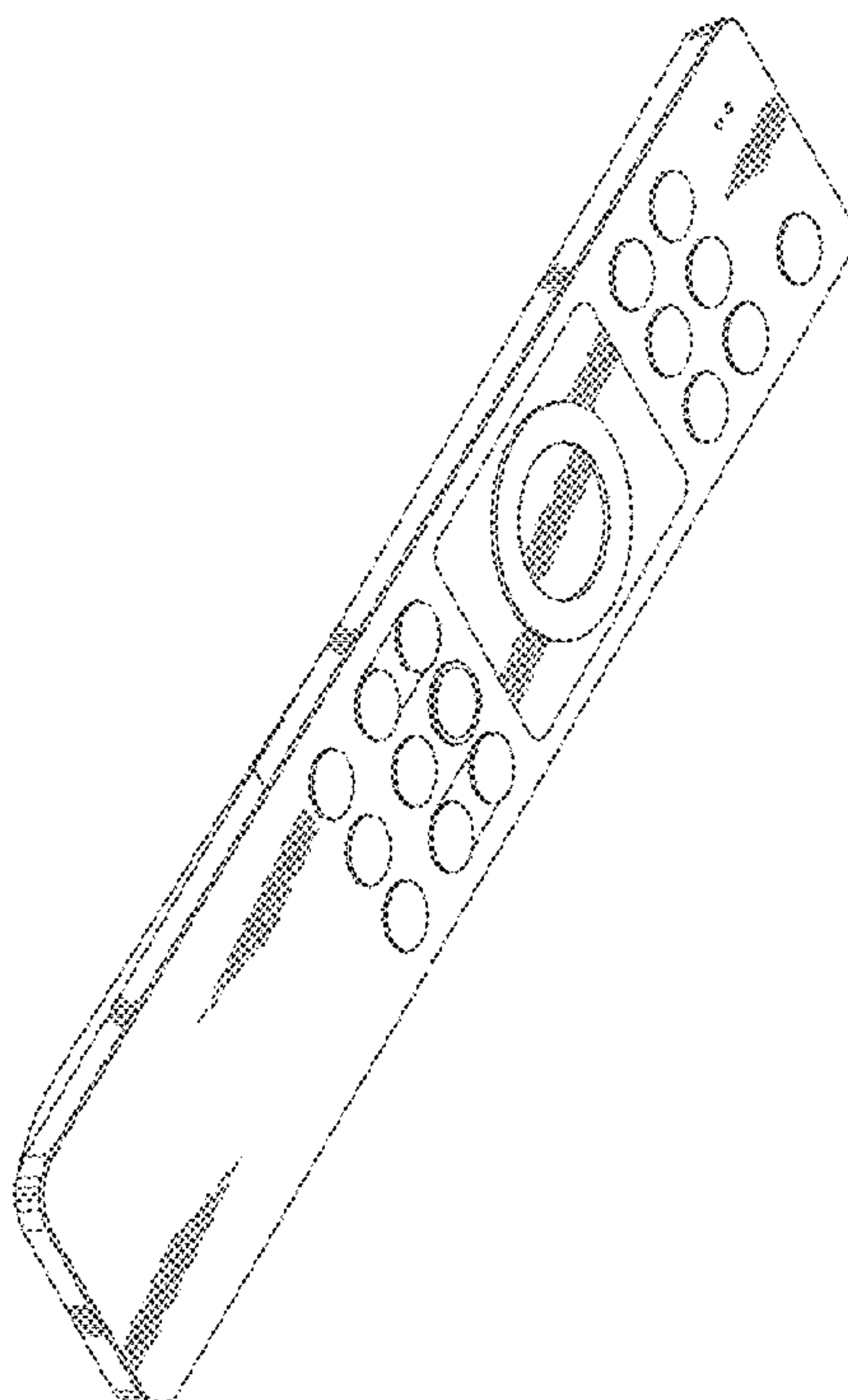
The ornamental design for remote control, as shown and described.

DESCRIPTION

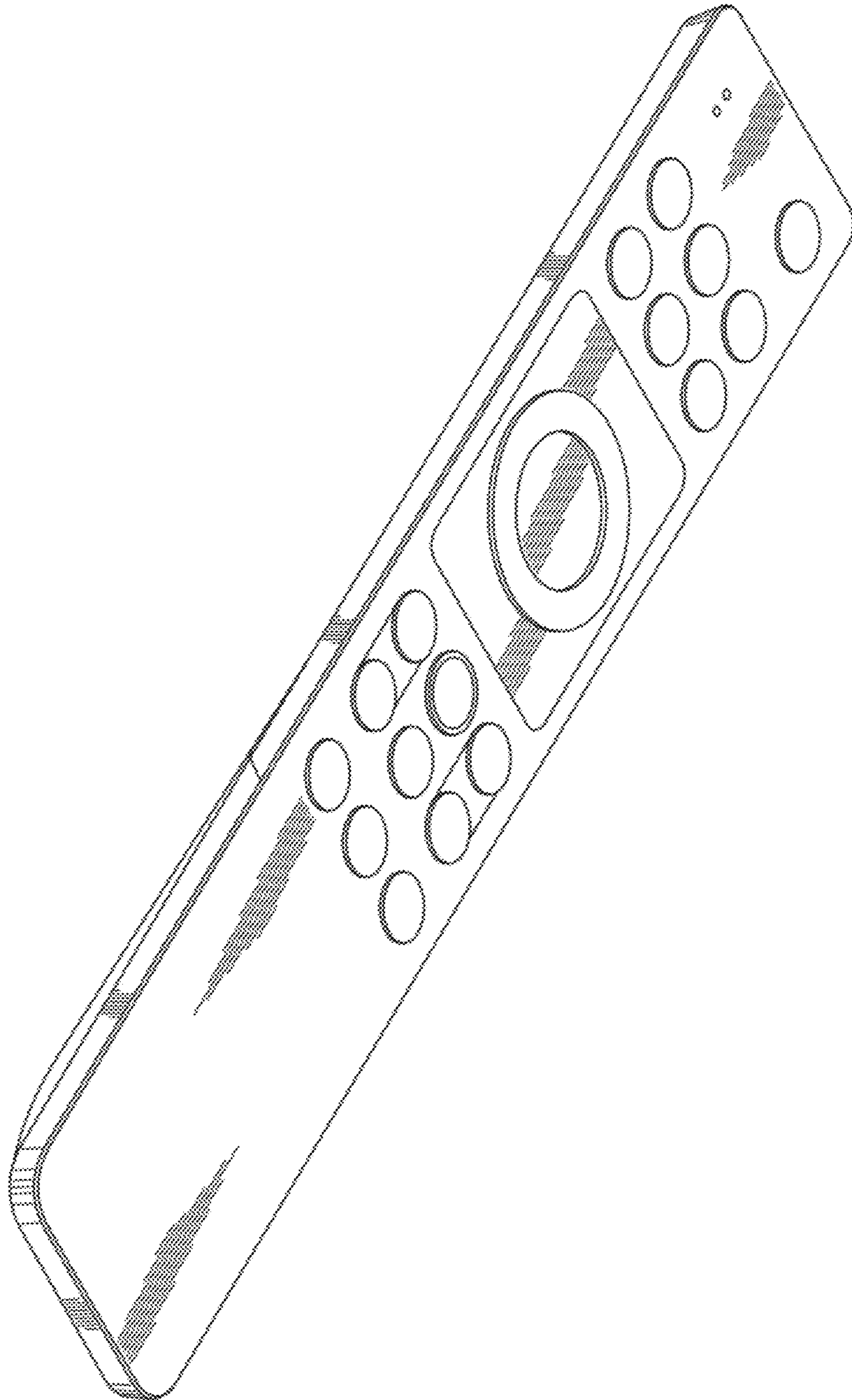
- 1.-2. Remote control
- 1.1: Perspective
- 1.2 : Front
- 1.3: Back
- 1.4: Left
- 1.5: Right
- 1.6: Top
- 1.7: Bottom

The surface shading indicates a glossy or mat surface.

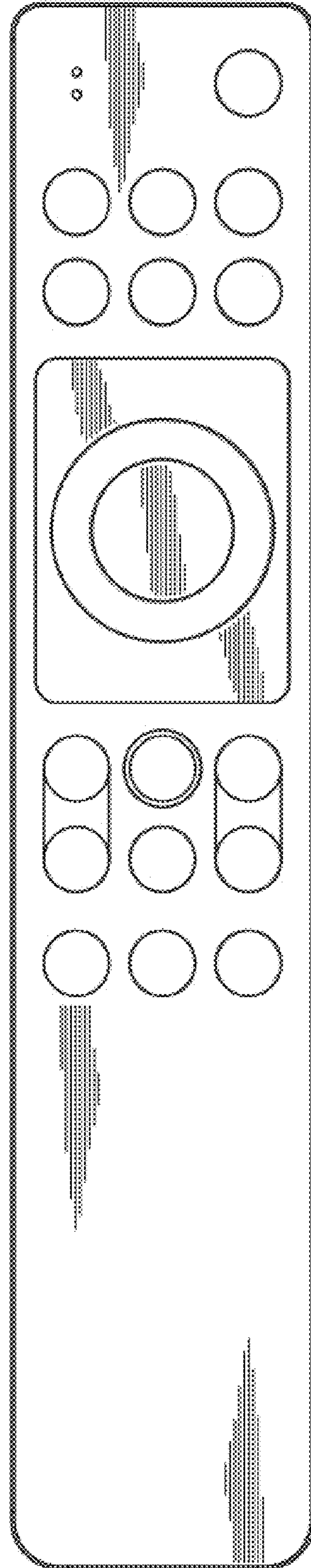
1 Claim, 7 Drawing Sheets



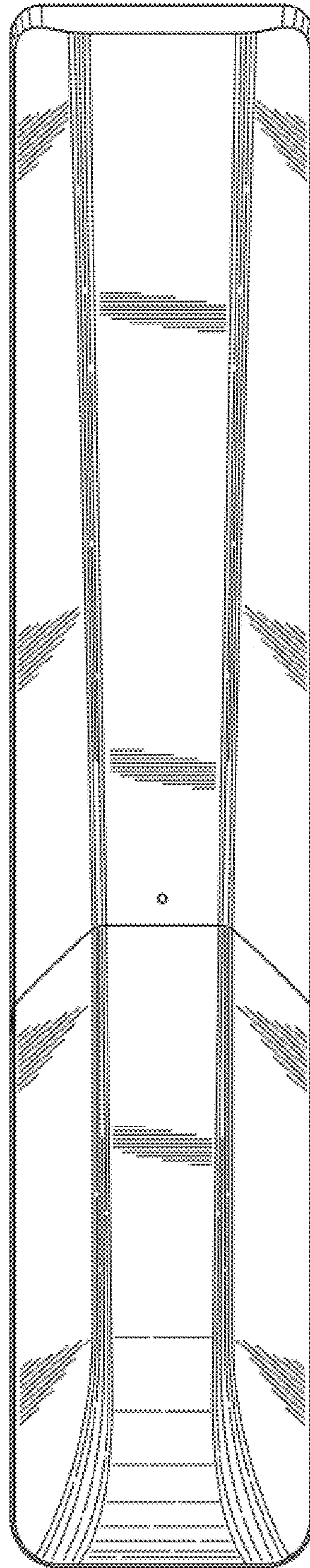
1-1



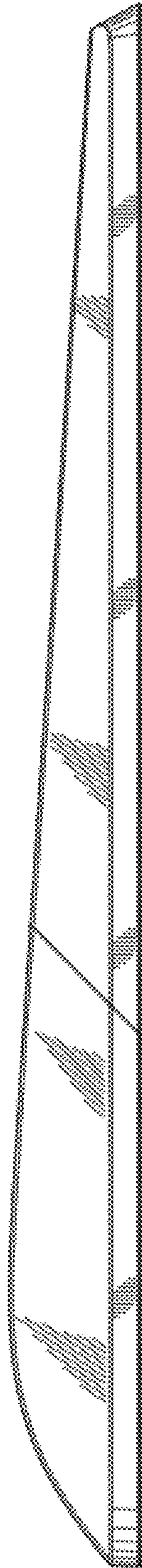
1-2



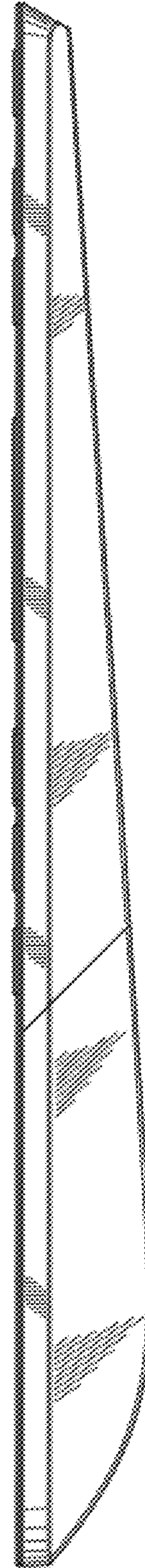
1-3



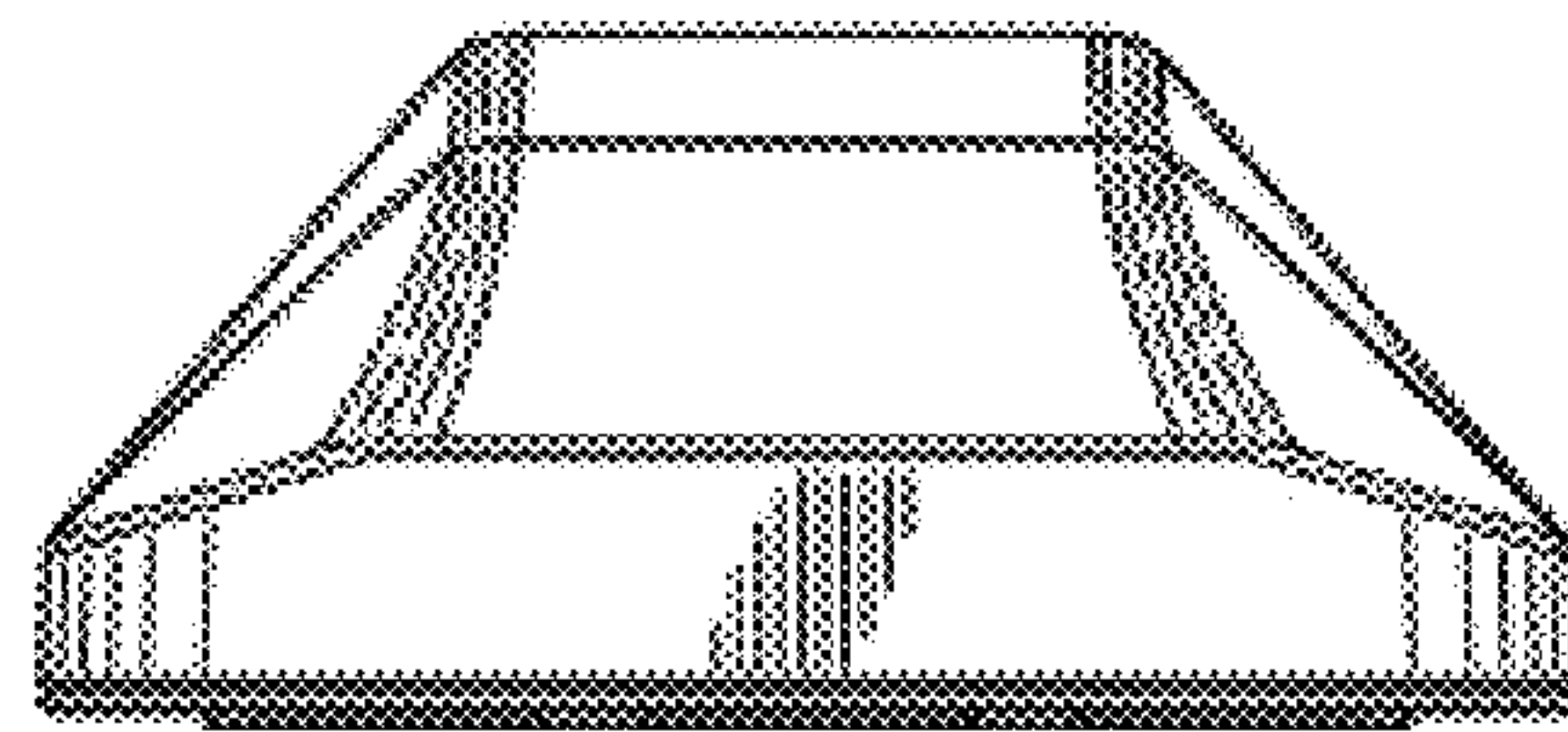
1-4



1-5



1-6



1-7

