



US00D942966S

(12) **United States Design Patent**
Wang et al.

(10) **Patent No.:** **US D942,966 S**
(45) **Date of Patent:** **** Feb. 8, 2022**

- (54) **SPEAKER**
- (71) Applicant: **Logitech Europe S.A.**, Lausanne (CH)
- (72) Inventors: **Wenwei Wang**, Hsinchu (TW);
Ming-Hsiang Weng, Hsinchu (TW);
Jeremy David Baker, Homestead, FL
(US); **Olivier Gregoire**, Oakland, CA
(US)
- (73) Assignee: **Logitech Europe S.A.**, Lausanne (CH)
- (**) Term: **15 Years**
- (21) Appl. No.: **29/779,461**
- (22) Filed: **Apr. 19, 2021**

2400/00; H04R 2400/07; H04R 2499/11;
H04R 2499/13; H04R 2499/15; H04S
3/00; H04S 7/30

See application file for complete search history.

(56) **References Cited**

U.S. PATENT DOCUMENTS

D725,632	S	*	3/2015	Zhao	D14/216
D726,687	S	*	4/2015	Minarik	D14/216
D737,249	S	*	8/2015	Zhao	D14/216
D795,220	S	*	8/2017	Uziel	D14/216
D810,137	S	*	2/2018	Tsang	D14/496
D870,704	S	*	12/2019	Leung	D14/216
D905,663	S	*	12/2020	Wang	D14/216
D907,601	S	*	1/2021	Yang	D14/216
D909,340	S	*	2/2021	Wahlgren	D14/216
D911,302	S	*	2/2021	Wahlgren	D14/204

(Continued)

Primary Examiner — Keli L Hill

(74) *Attorney, Agent, or Firm* — Kilpatrick Townsend & Stockton LLP

(57) **CLAIM**

The ornamental design for speaker, as shown and described.

DESCRIPTION

FIG. 1 is a perspective view of a speaker showing a first embodiment of our new design;
 FIG. 2 is a second perspective view thereof;
 FIG. 3 is a front elevational view thereof;
 FIG. 4 is a right side elevational view thereof; and
 FIG. 5 is a left side elevational view thereof.
 FIG. 6 is a perspective view of a speaker showing a second embodiment of our new design;
 FIG. 7 is a second perspective view thereof;
 FIG. 8 is a front elevational view thereof;
 FIG. 9 is a right side elevational view thereof; and,
 FIG. 10 is a left side elevational view thereof.
 The broken lines depict portions of the speaker in which the design is embodied that form no part of the claimed design.

1 Claim, 6 Drawing Sheets

Related U.S. Application Data

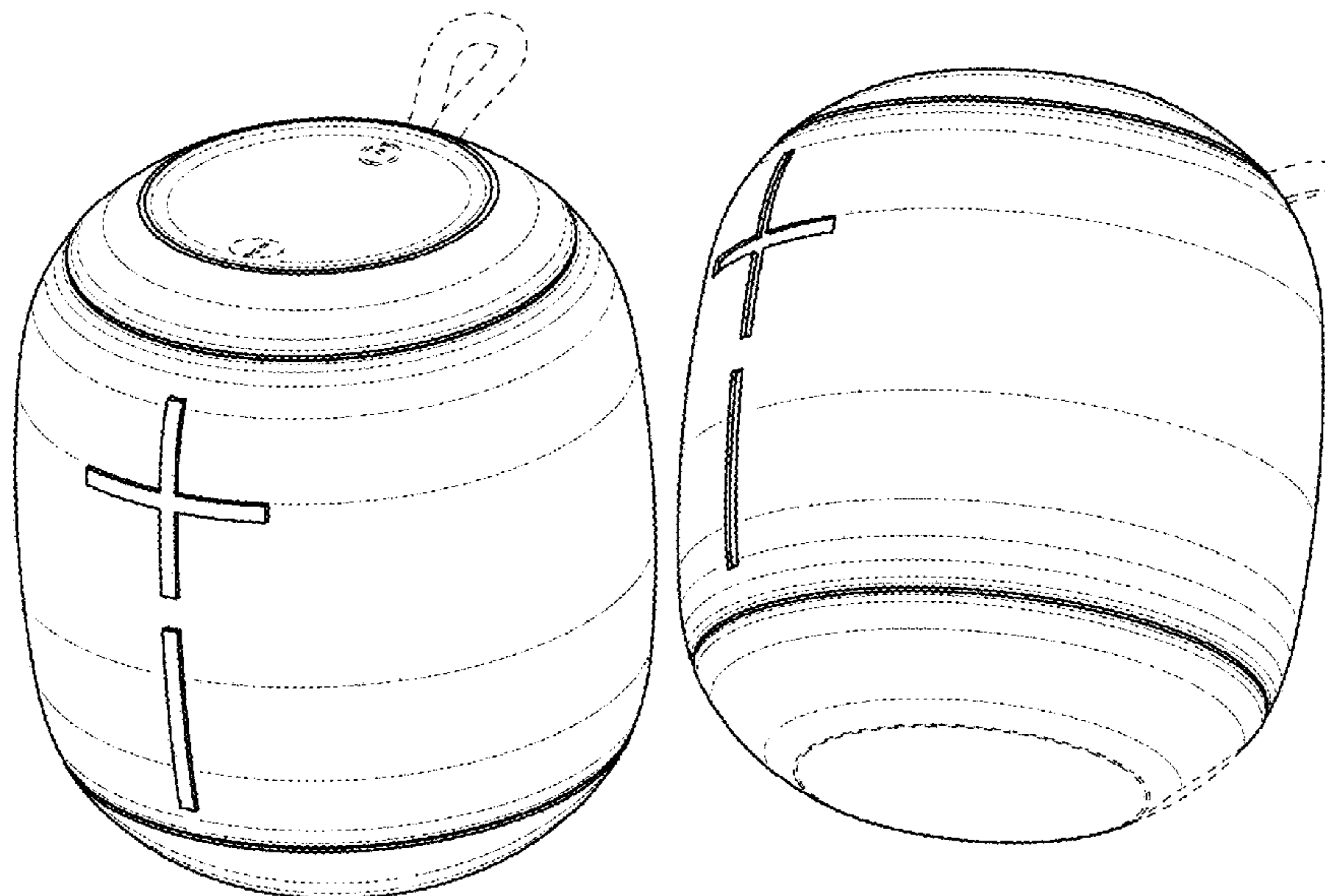
(63) Continuation of application No. 29/712,319, filed on Nov. 7, 2019, now Pat. No. Des. 919,599, which is a continuation of application No. 29/602,251, filed on Apr. 28, 2017, now Pat. No. Des. 871,372.

(51) **LOC (13) Cl.** **14-01**

(52) **U.S. Cl.**
USPC **D14/216**

(58) **Field of Classification Search**

USPC D14/167, 168, 170–172, 188, 194–196,
D14/204, 209.1, 210–216, 219, 221, 222,
D14/224, 239, 496, 192
 CPC B60R 11/0217; G06F 1/1688; G10K 9/22;
G10K 11/004; H03F 1/327; H04M 1/03;
H04M 1/035; H04N 5/642; H04N
21/4852; H04R 1/02; H04R 1/06; H04R
1/021; H04R 1/025; H04R 1/026; H04R
1/028; H04R 1/105; H04R 1/323; H04R
1/403; H04R 1/2803; H04R 1/2834;
H04R 5/02; H04R 7/20; H04R 9/06;
H04R 9/025; H04R 2201/021; H04R



(56)

References Cited

U.S. PATENT DOCUMENTS

D912,645 S * 3/2021 Xi D14/216
D919,599 S * 5/2021 Wang D14/216
D919,600 S * 5/2021 Wahlgren D14/216

* cited by examiner

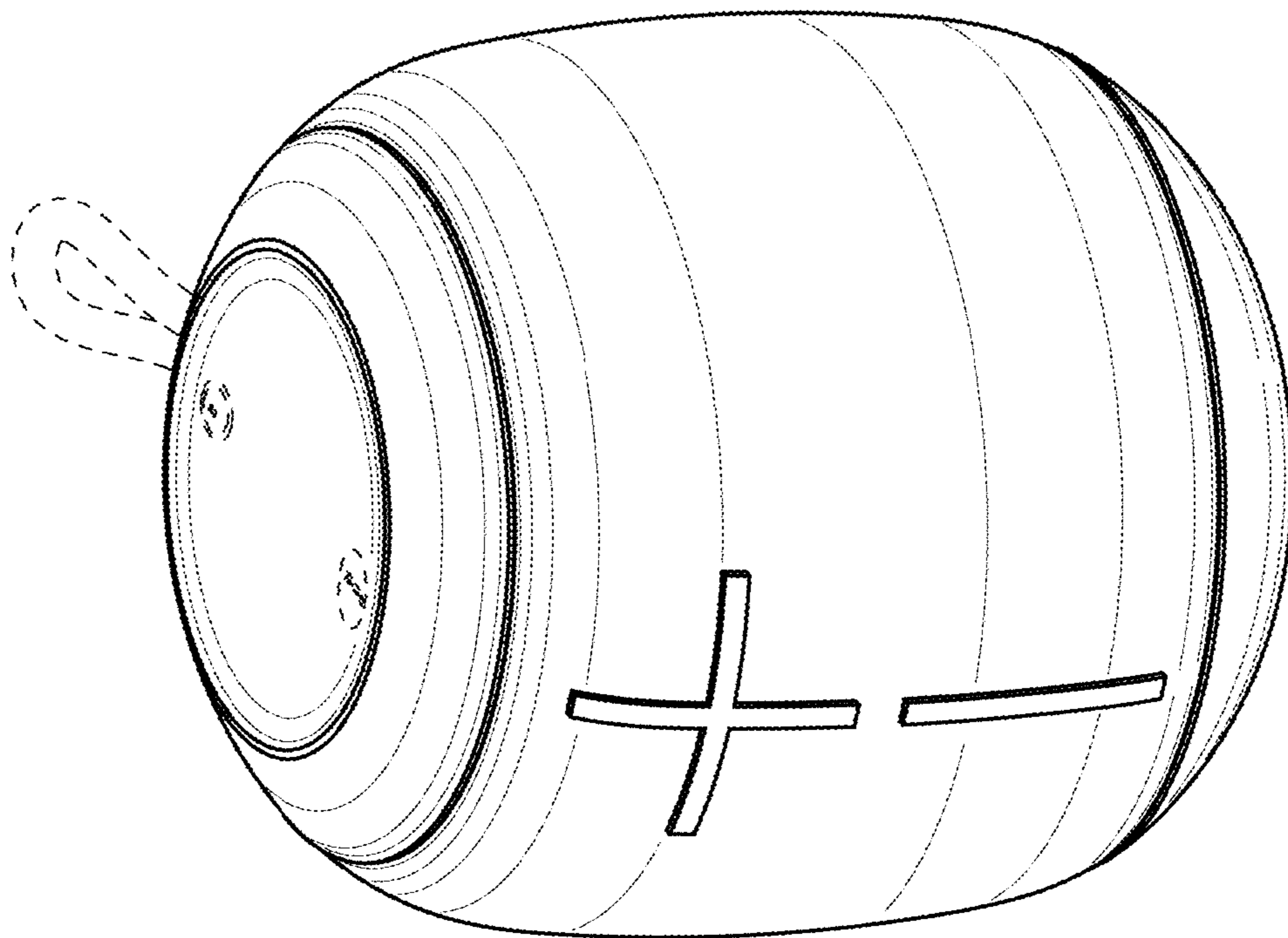


FIG. 1

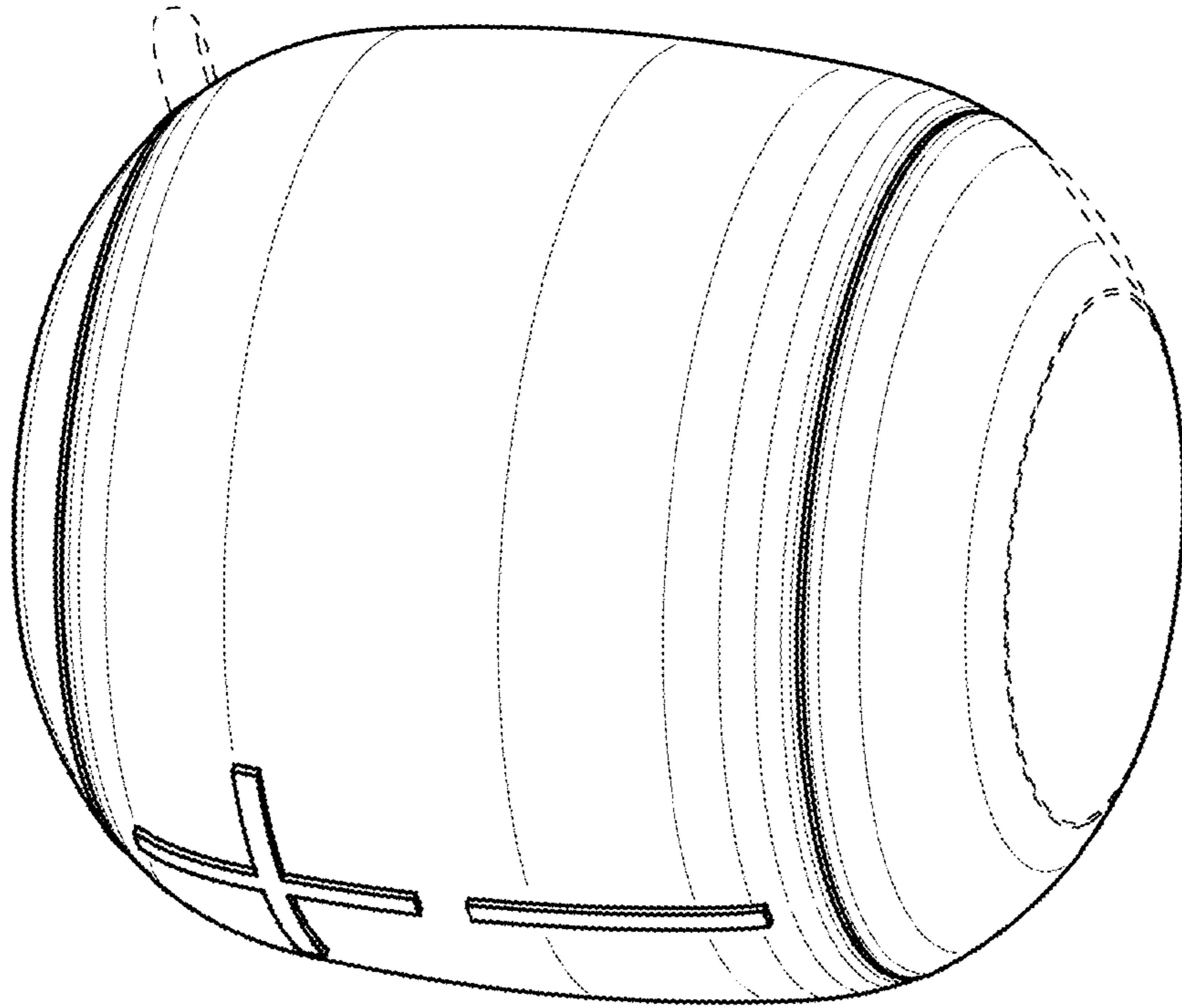


FIG. 2

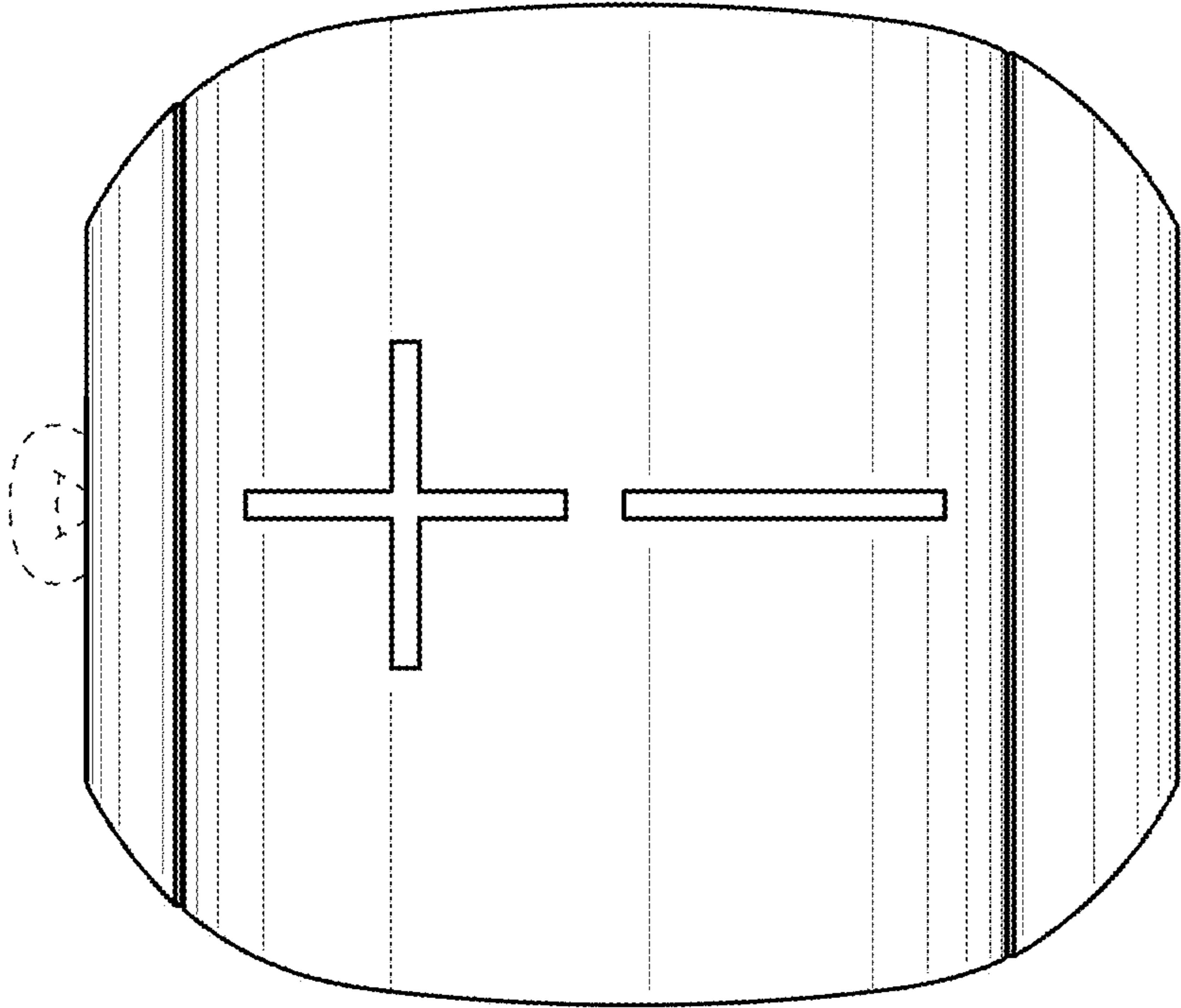


FIG. 3

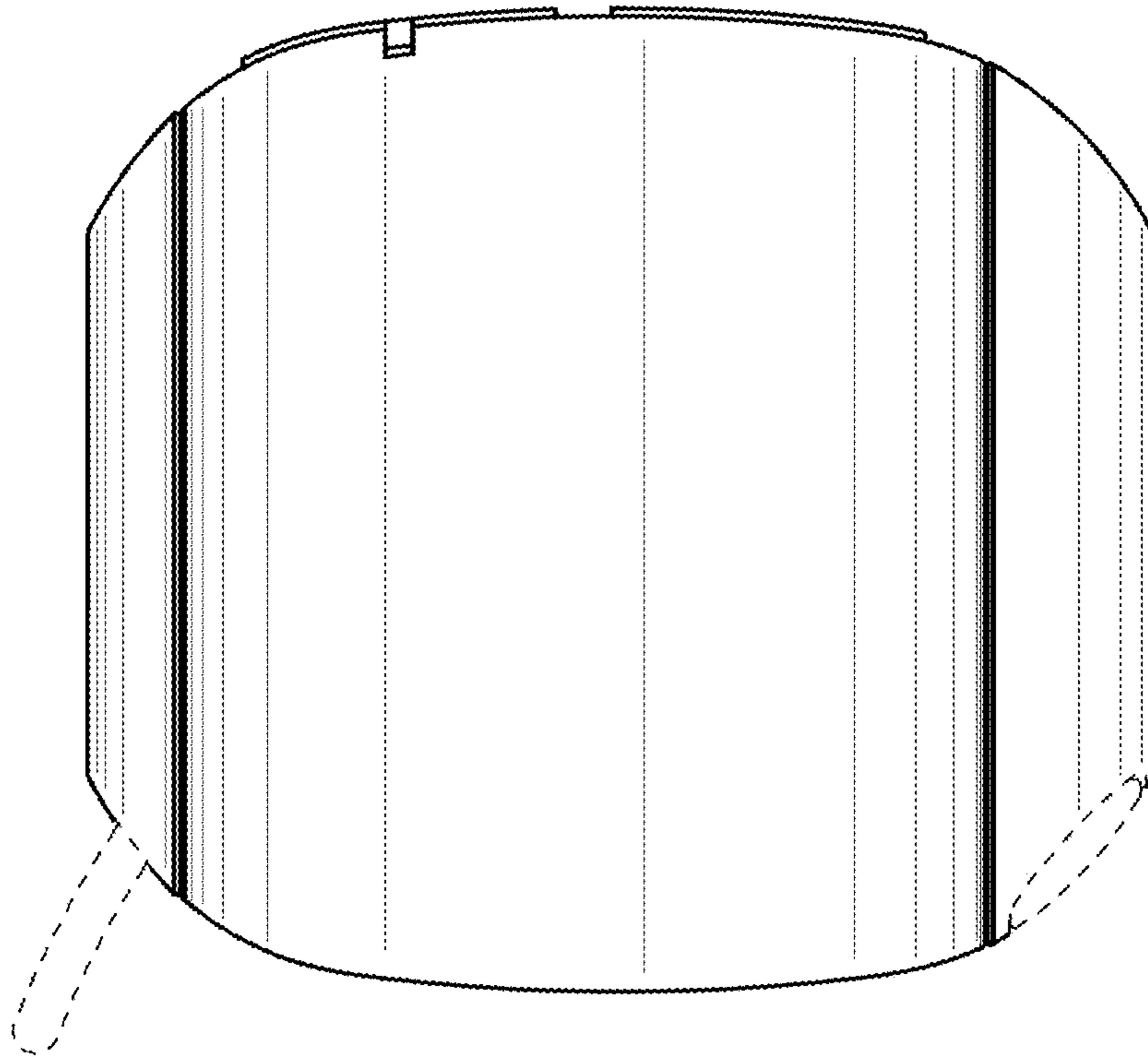


FIG. 5

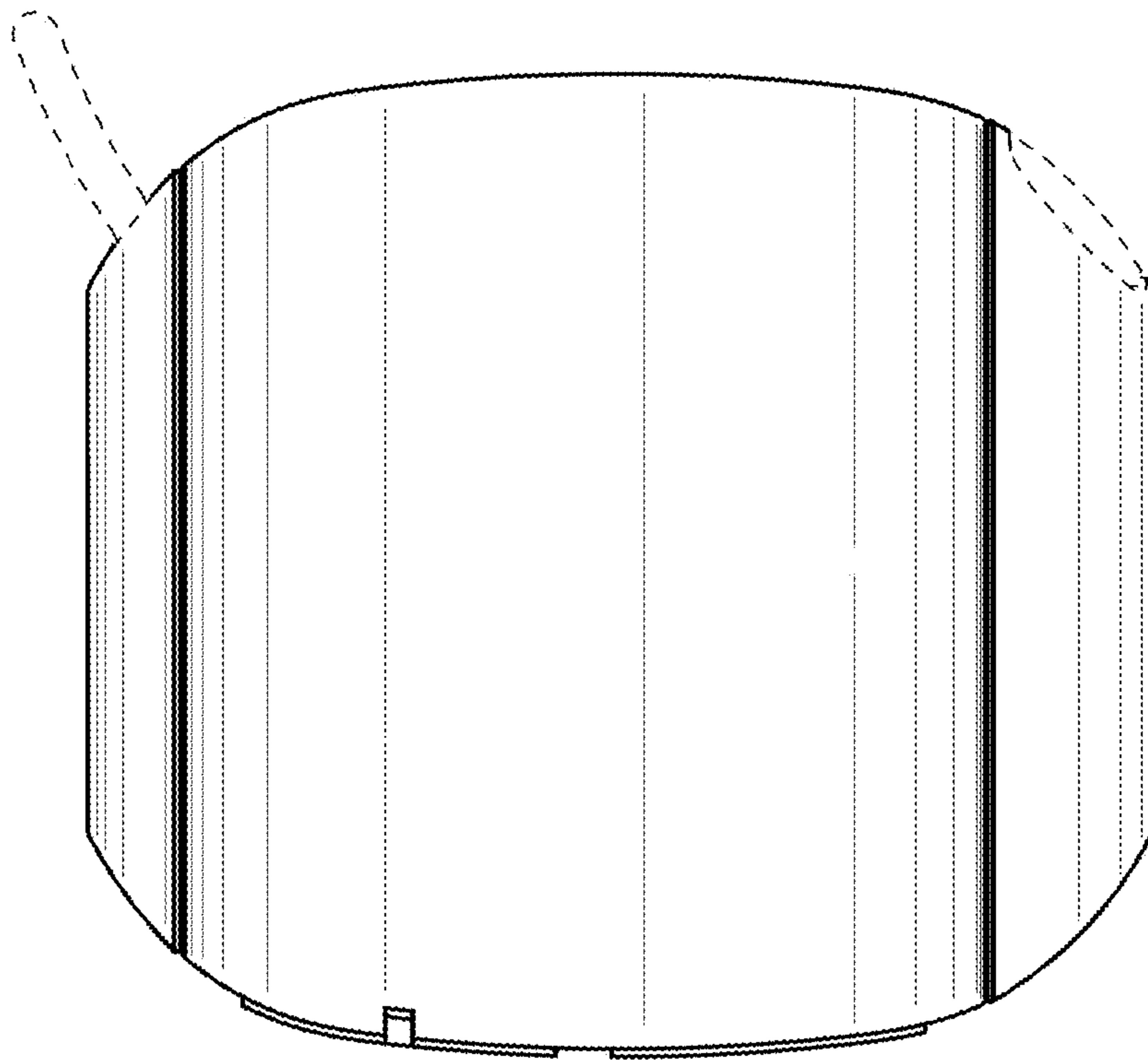


FIG. 4

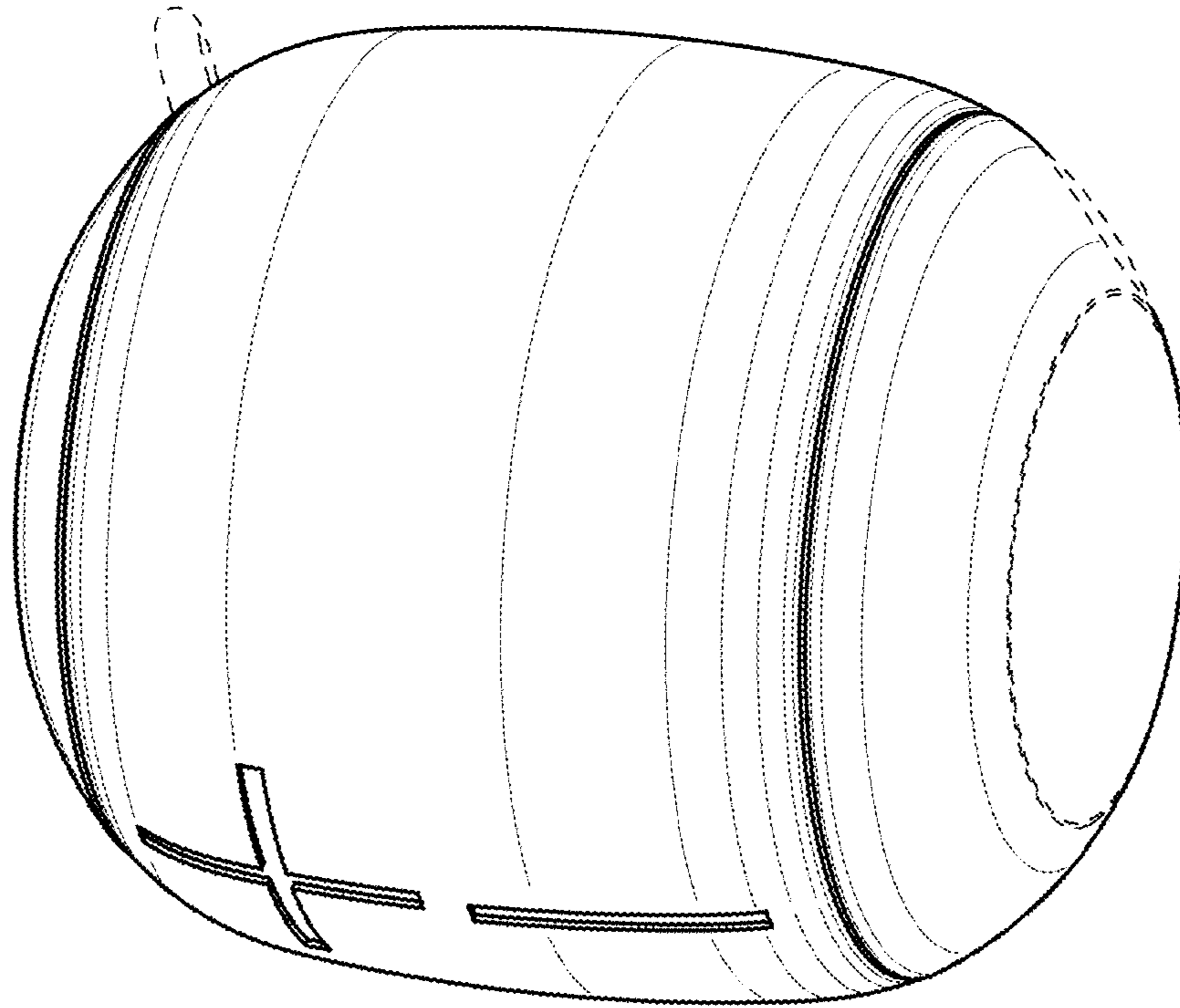


FIG. 7

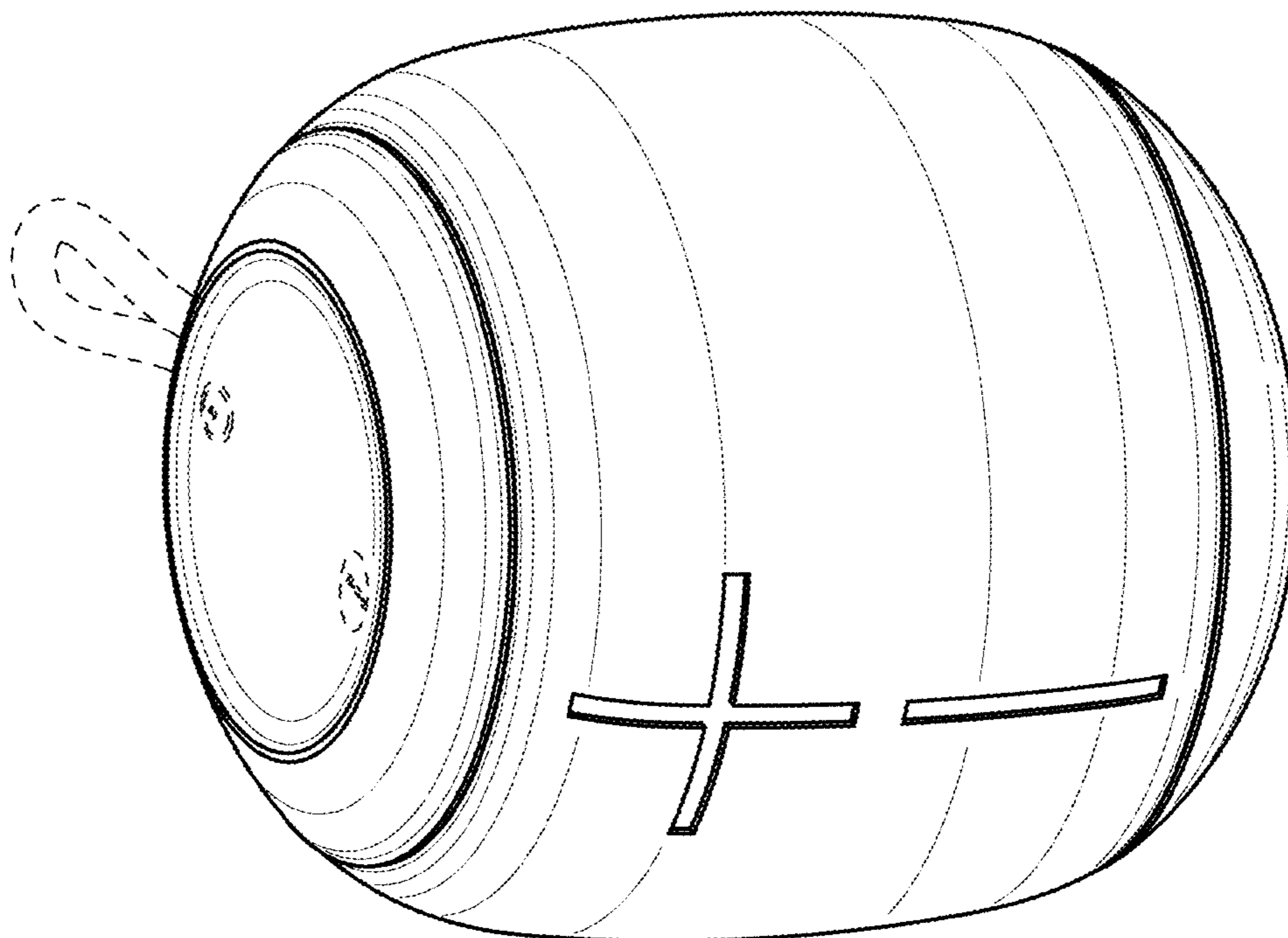


FIG. 6

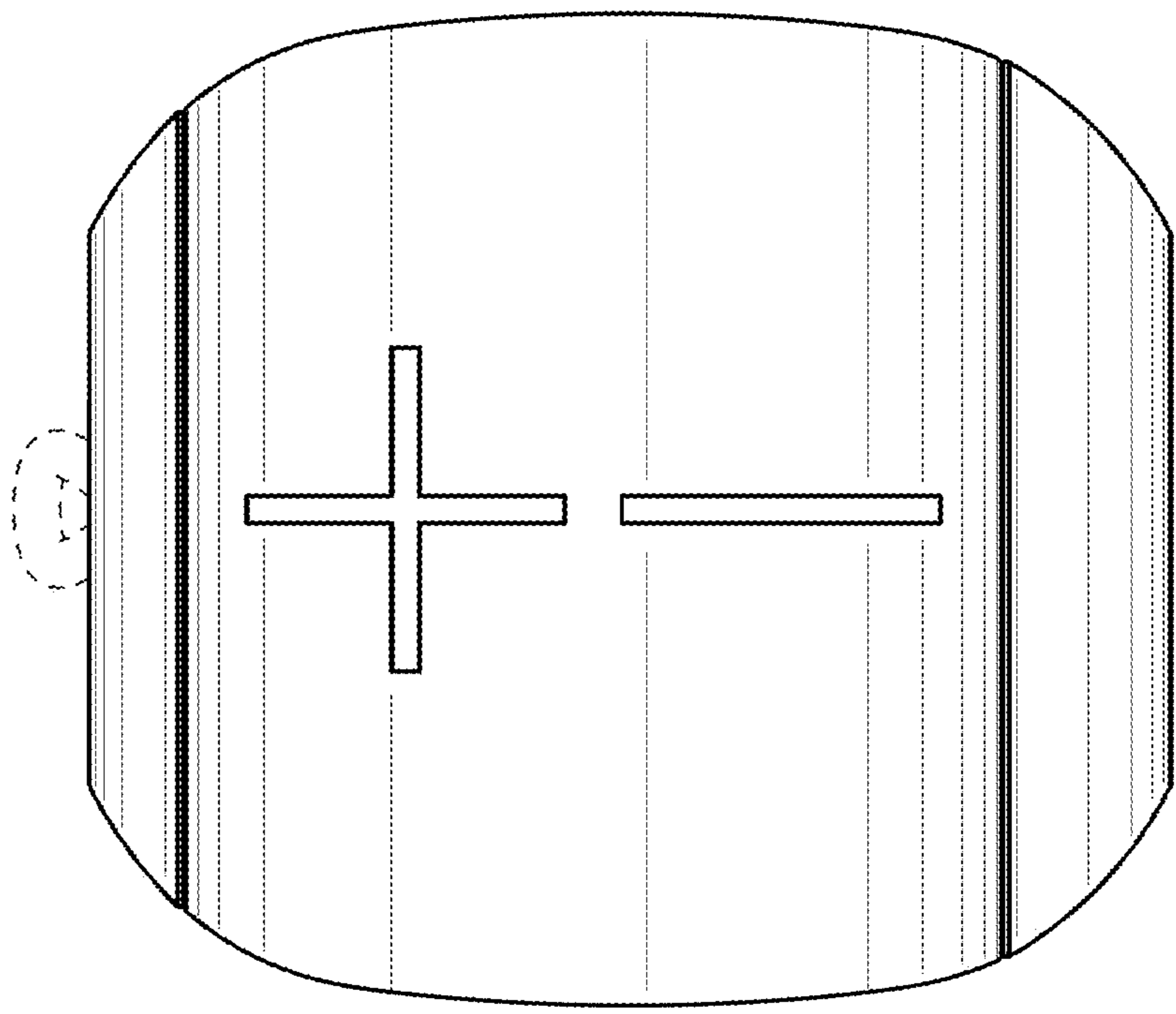


FIG. 8

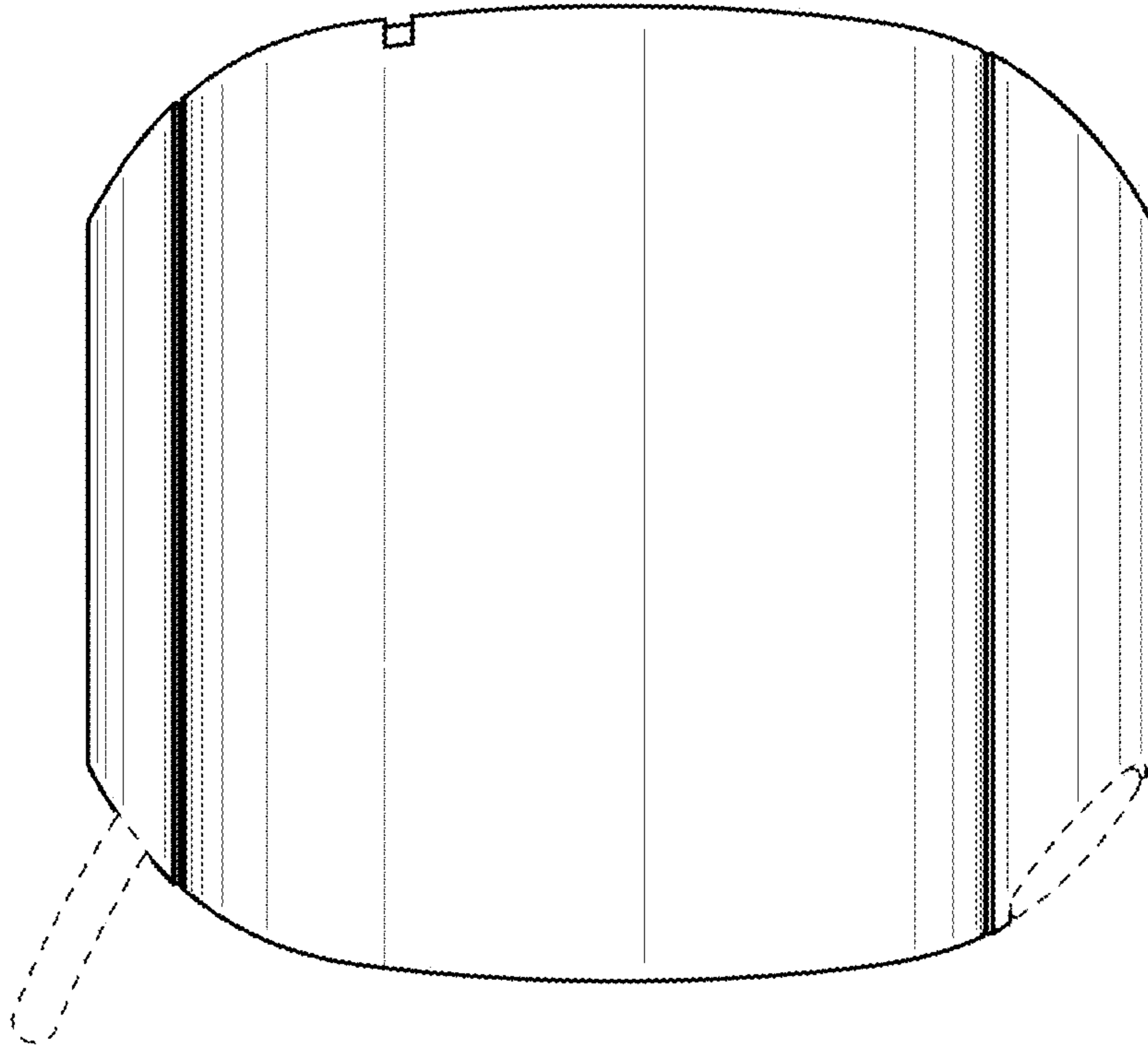


FIG. 10

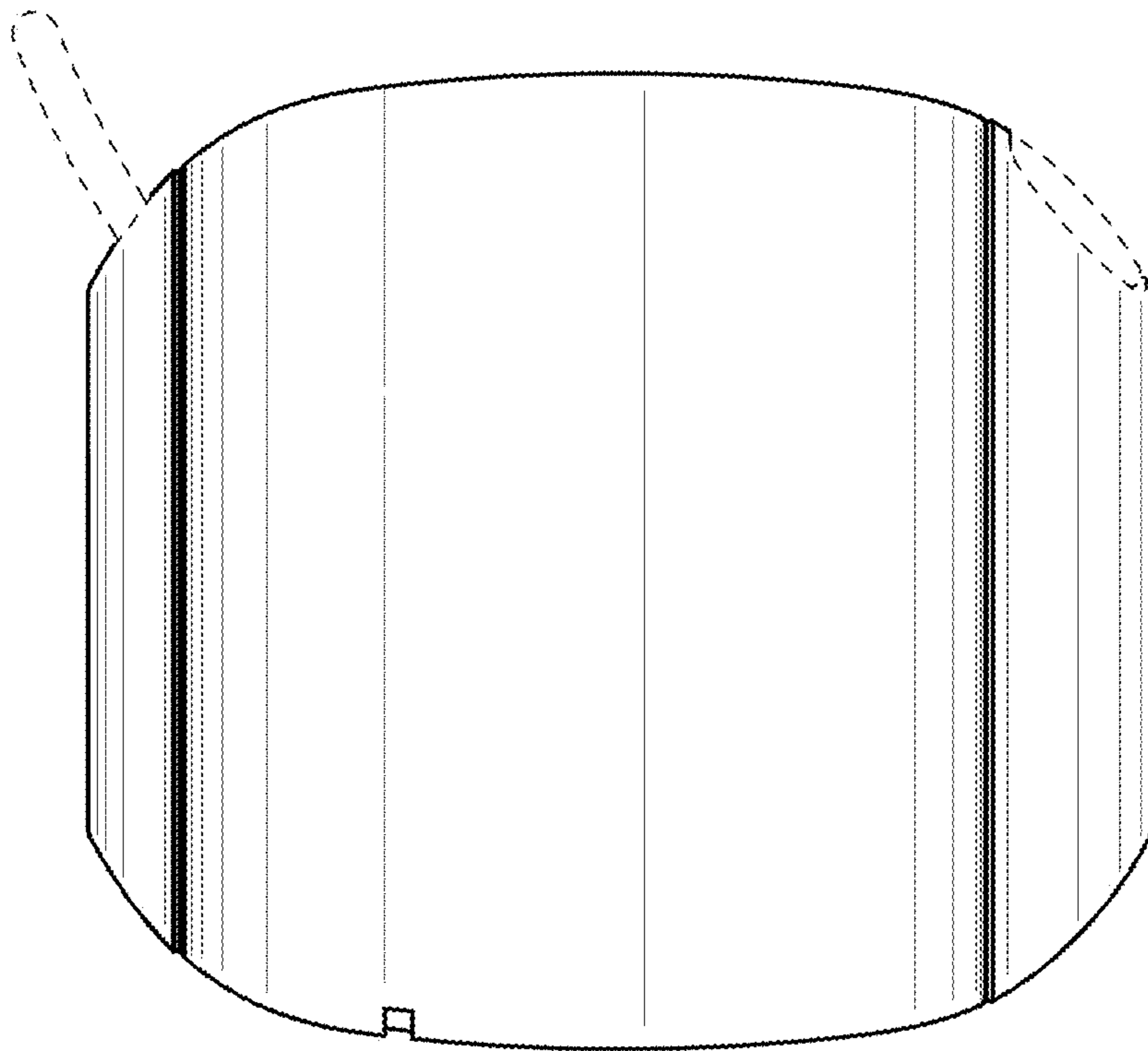


FIG. 9