



US00D942964S

(12) **United States Design Patent** (10) **Patent No.:** **US D942,964 S**
Hsu (45) **Date of Patent:** **** Feb. 8, 2022**

(54) **GROUND INSERT SPEAKER**

(71) Applicant: **Dong Guan Jia Sheng Lighting Technology Co., Ltd. China,**
Dong-Guna (CN)

(72) Inventor: **Kevin Hsu,** Taichung (TW)

(73) Assignee: **Dong Guan Jia Sheng Lighting Technology Co., Ltd. China,**
Guang-Dong (CN)

(**) Term: **15 Years**

(21) Appl. No.: **29/720,005**

(22) Filed: **Jan. 9, 2020**

(51) **LOC (13) Cl.** **14-01**

(52) **U.S. Cl.**
USPC **D14/209.1; D14/207; D14/216**

(58) **Field of Classification Search**
USPC D14/167, 168, 170–172, 188, 194–196,
D14/204, 209.1, 210–216, 219, 221, 222,
D14/224, 239, 496, 207; D26/52, 67–71
CPC B60R 11/0217; G06F 1/1688; G10K 9/22;
G10K 11/004; H03F 1/327; H04M 1/03;
H04M 1/035; H04N 5/642; H04N
21/4852; H04R 1/02; H04R 1/06; H04R
1/021; H04R 1/025; H04R 1/026; H04R
1/028; H04R 1/105; H04R 1/323; H04R
1/403; H04R 1/2803; H04R 1/2834;
H04R 5/02; H04R 7/20; H04R 9/06;
H04R 9/025; H04R 2201/021; H04R
2400/00; H04R 2400/07; H04R 2499/11;
H04R 2499/13; H04R 2499/15; H04S
3/00; H04S 7/30

See application file for complete search history.

(56) **References Cited**

U.S. PATENT DOCUMENTS

D444,456 S *	7/2001	McGurty	D14/211
D621,385 S *	8/2010	Baron	F21V 14/06
				D14/216
D651,335 S *	12/2011	Chen	D26/63
D735,923 S *	8/2015	Helms	D26/63
D853,612 S *	7/2019	Zhu	D26/63
D874,703 S *	2/2020	Wu	D26/63
10,823,377 B1 *	11/2020	Hsu	F21V 14/06
D915,653 S *	4/2021	Hsu	D26/63

* cited by examiner

Primary Examiner — Keli L Hill

(74) *Attorney, Agent, or Firm* — Karin L. Williams; Alan D. Kamrath; Mayer & Williams PC

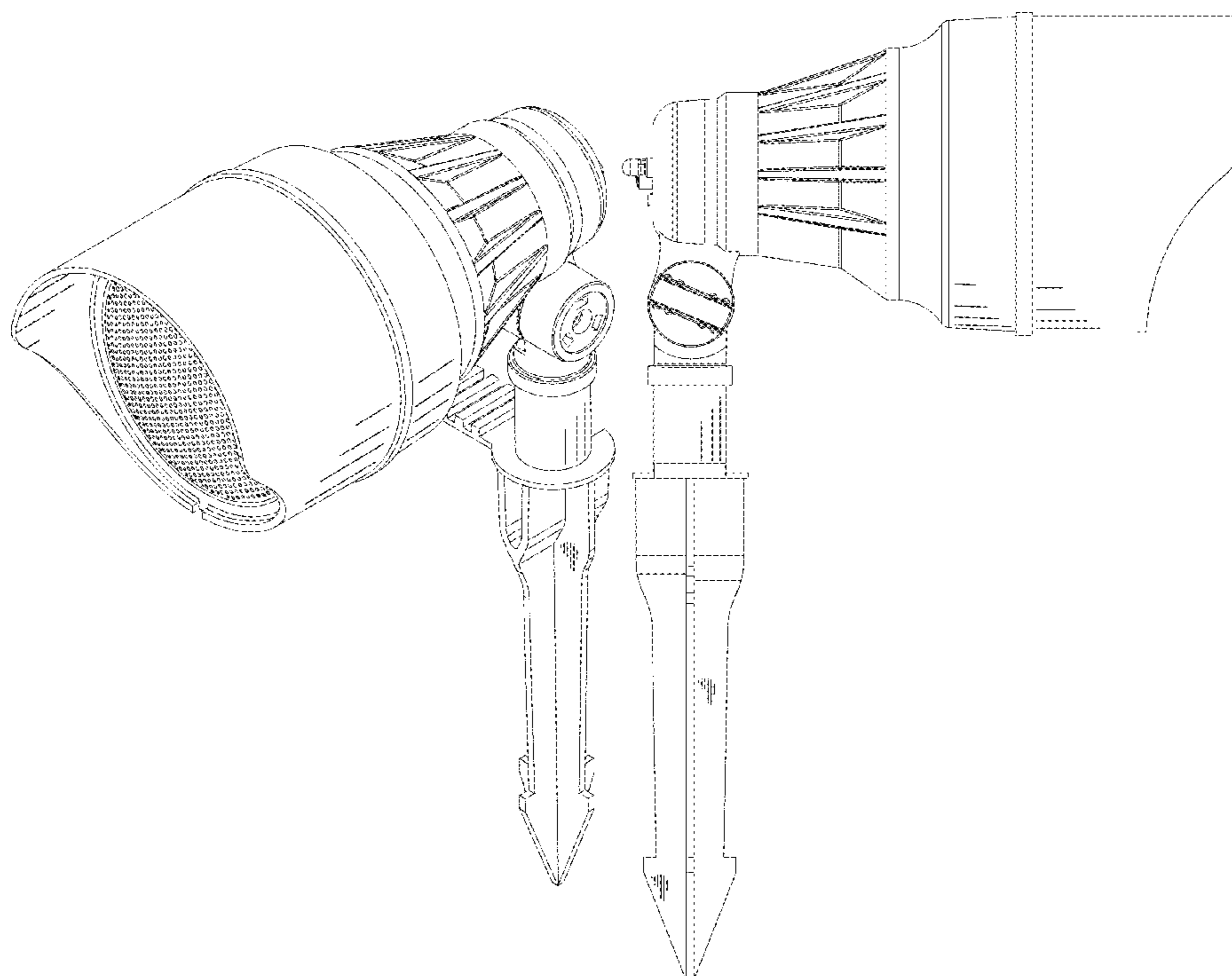
(57) **CLAIM**

The ornamental design for a ground insert speaker, as shown and described.

DESCRIPTION

FIG. 1 is a perspective view of a ground insert speaker showing my design.
FIG. 2 is a front elevational view thereof.
FIG. 3 is a rear elevational view thereof.
FIG. 4 is a left side elevational view thereof.
FIG. 5 is a right side elevational view thereof.
FIG. 6 is a top plan view thereof; and,
FIG. 7 is a bottom plan view thereof.

1 Claim, 7 Drawing Sheets



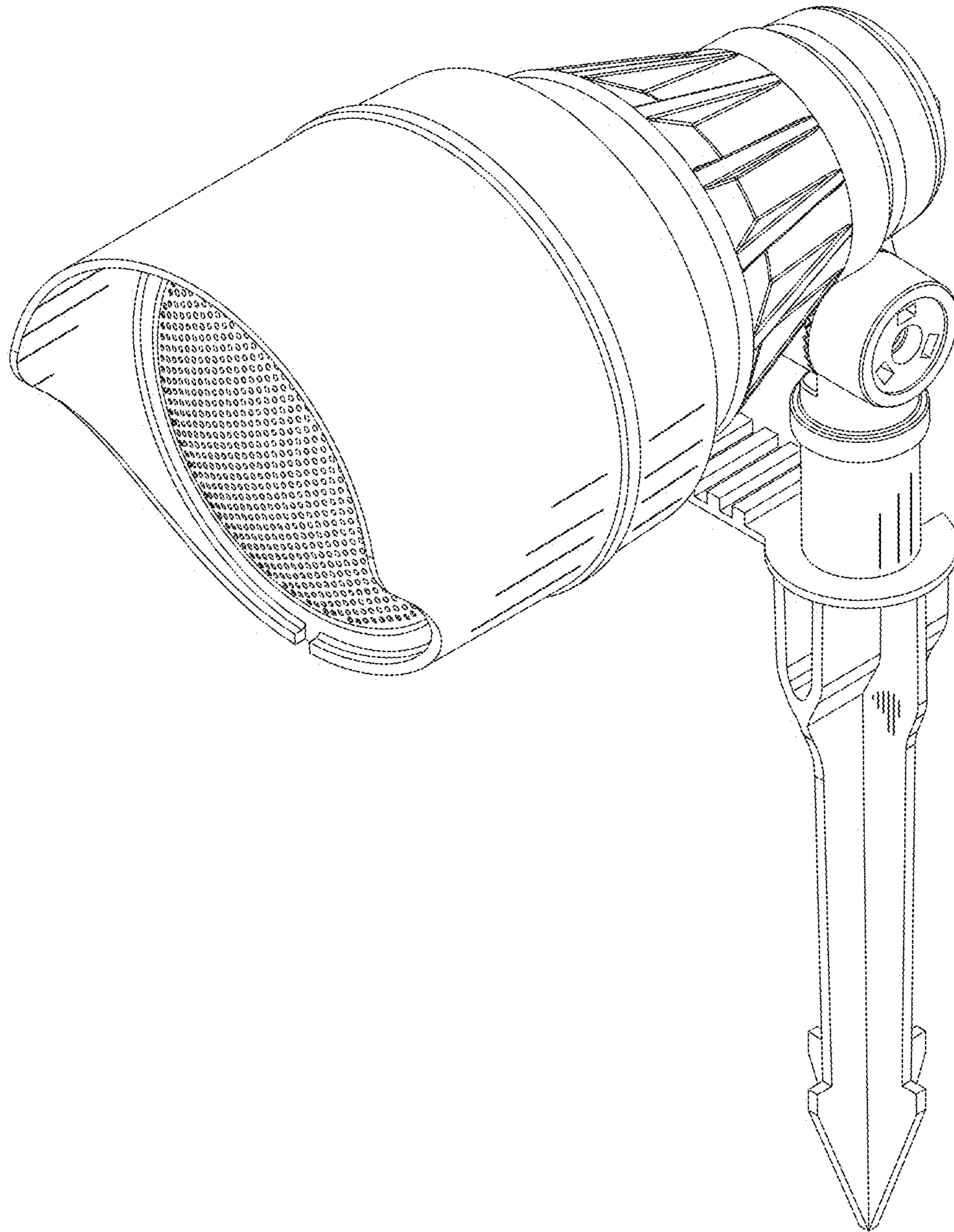


FIG.1

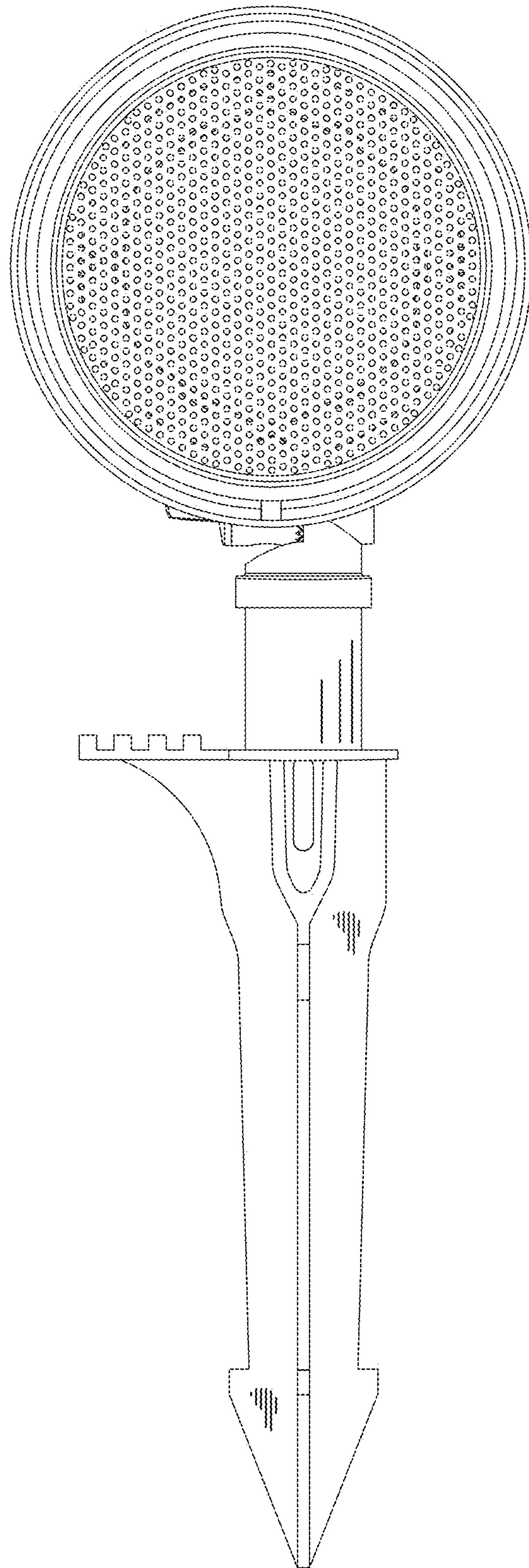


FIG.2

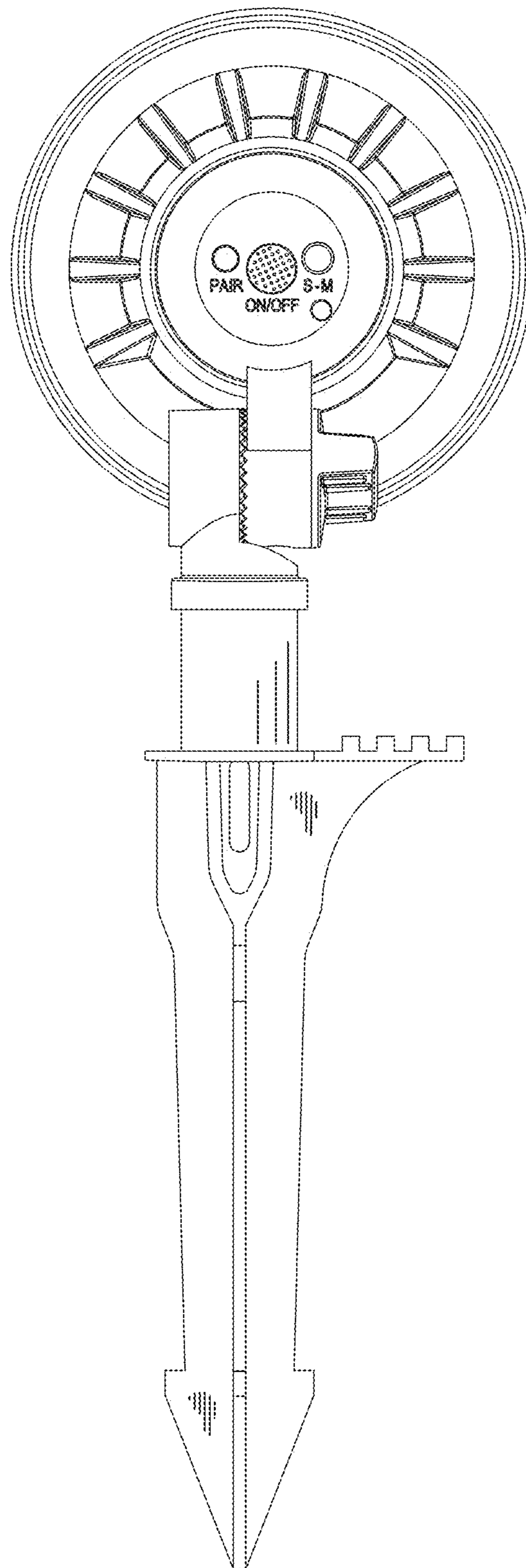


FIG. 3

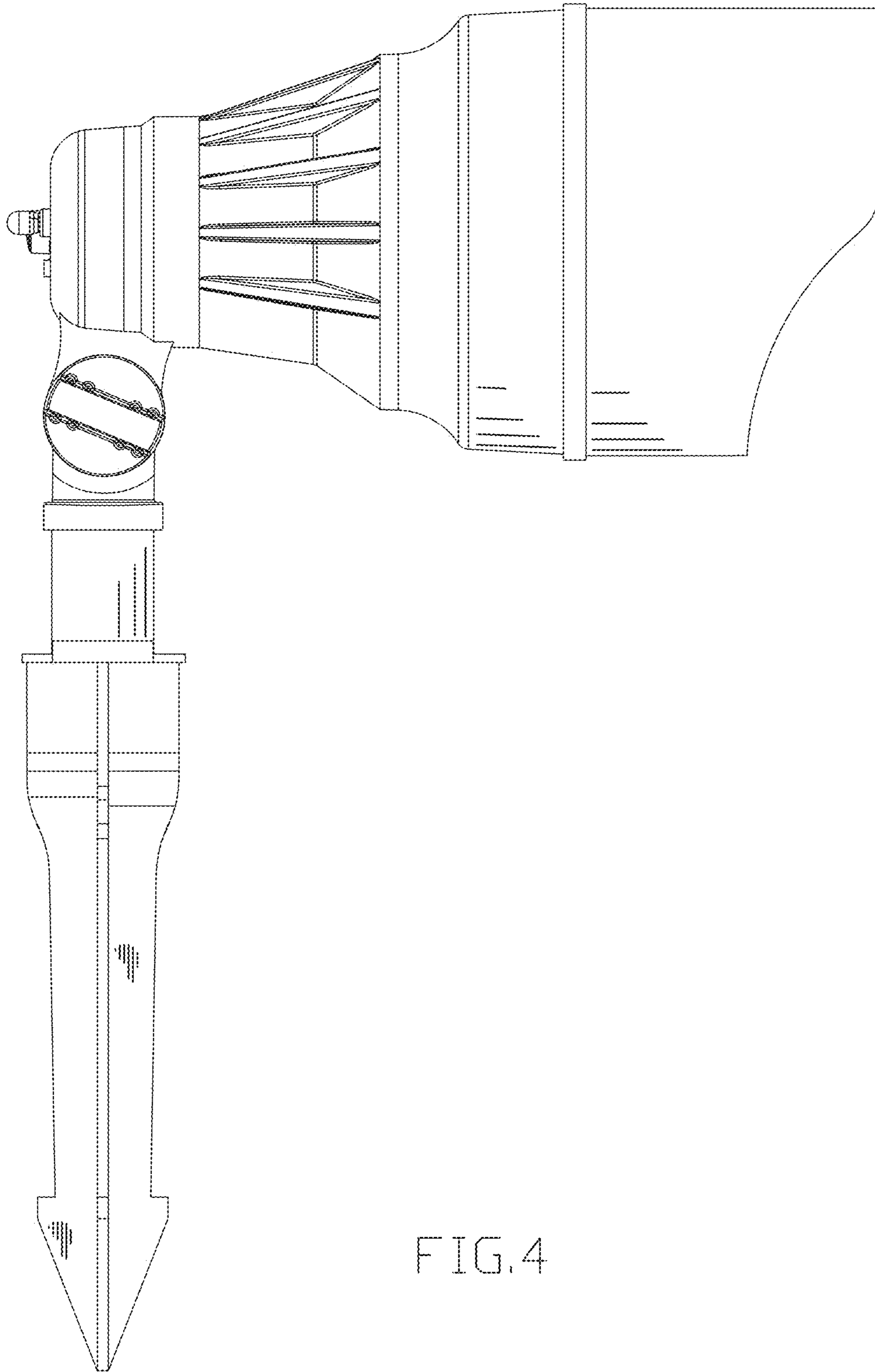


FIG.4

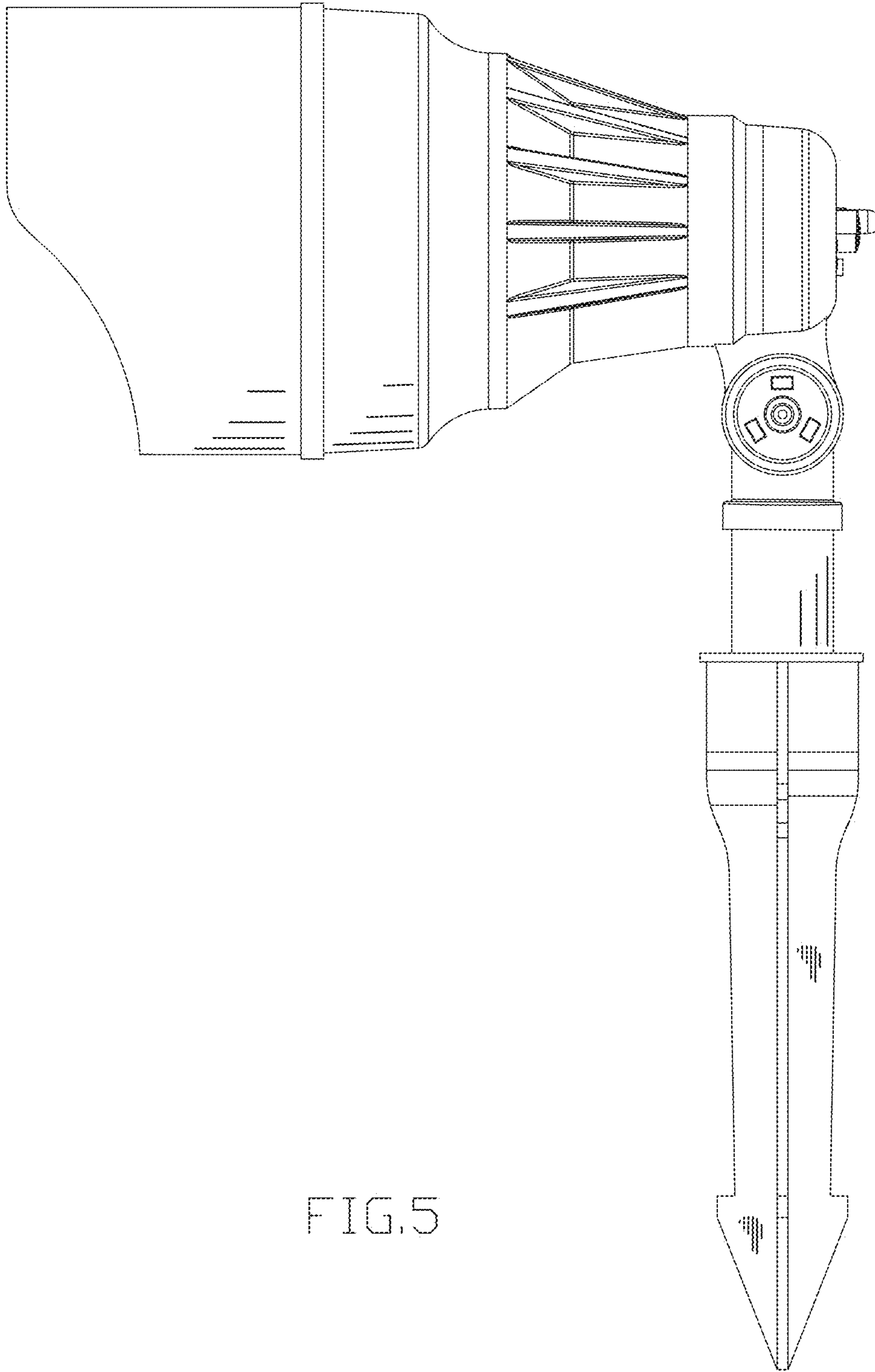


FIG.5

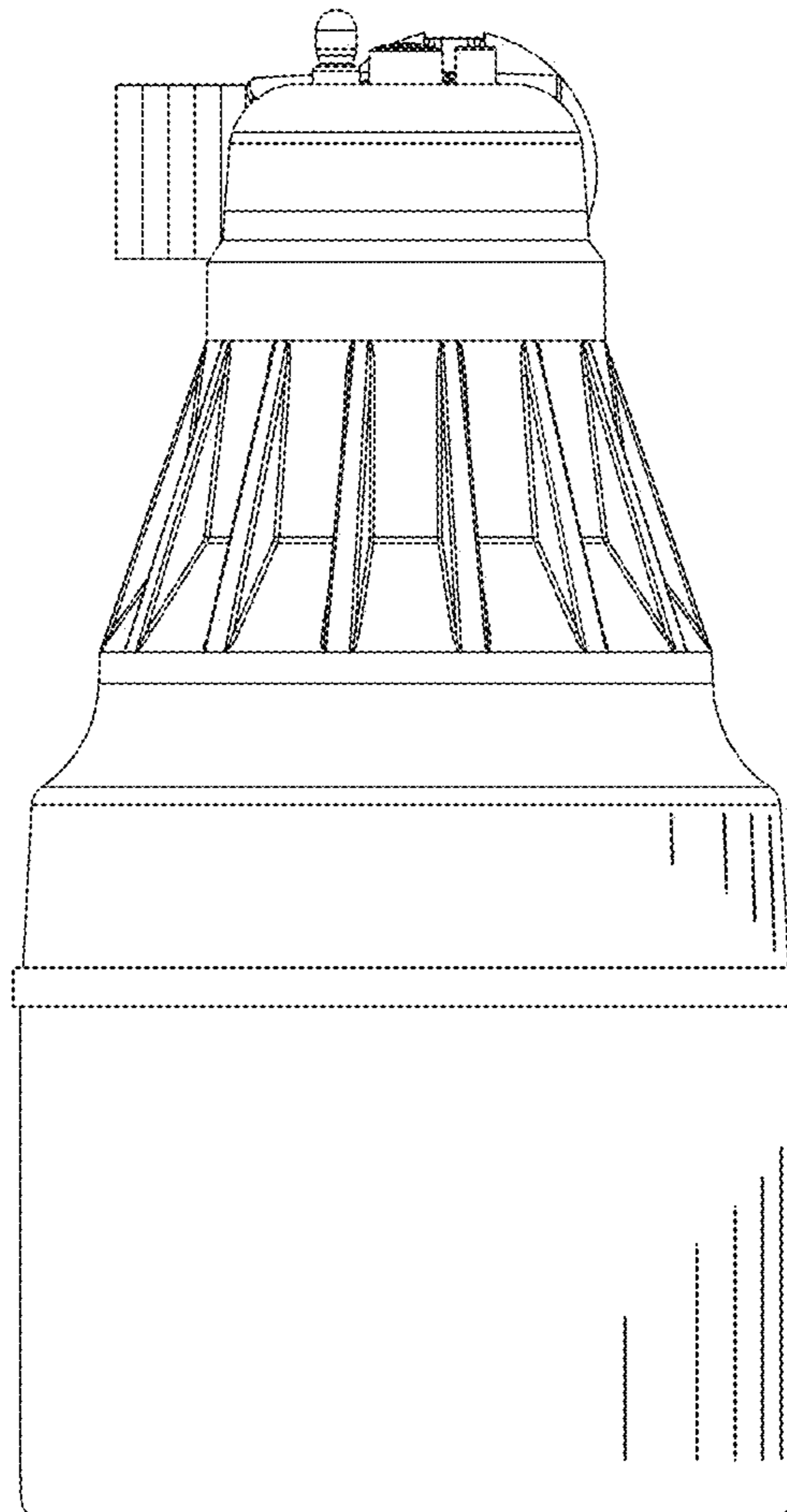


FIG.6

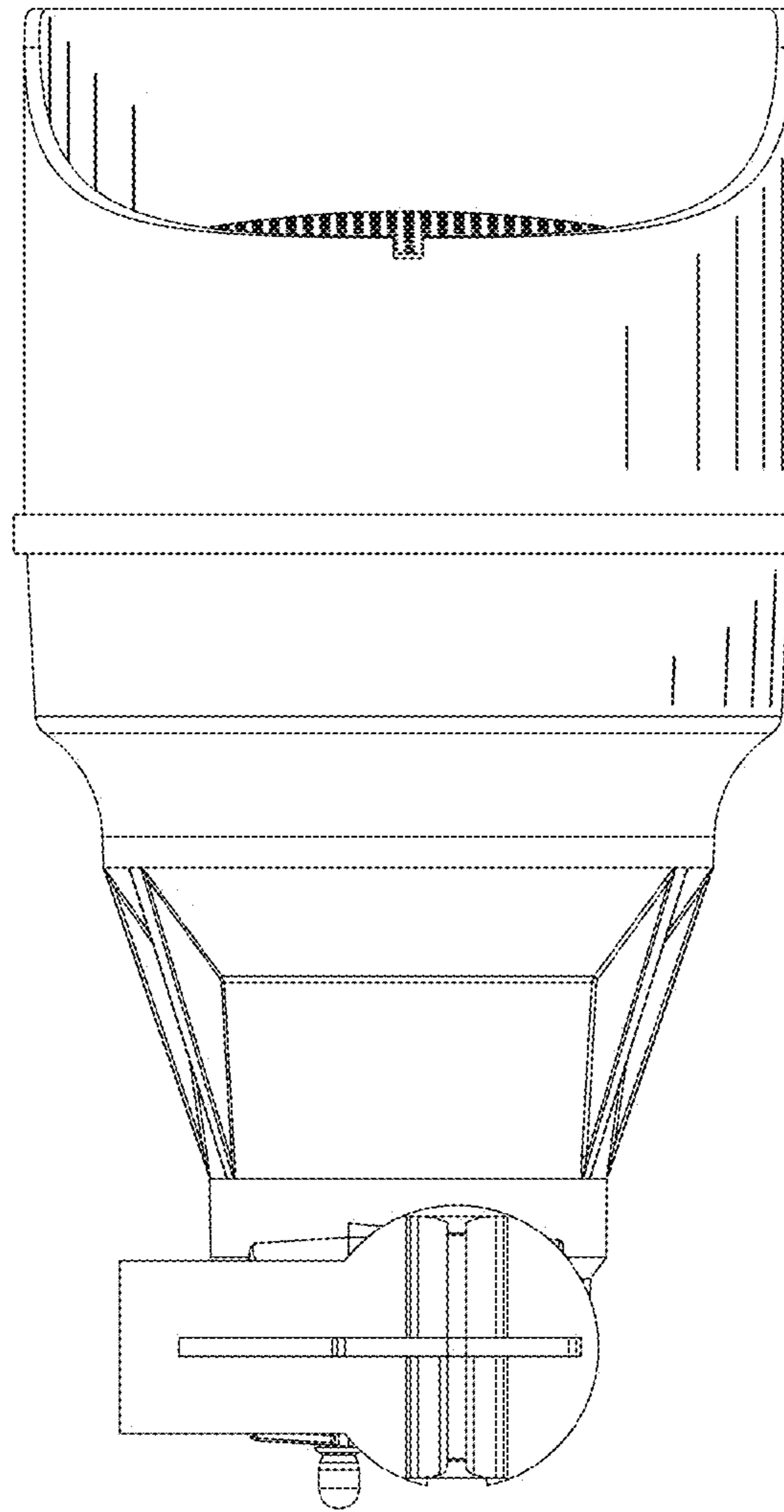


FIG. 7