



US00D942961S

(12) **United States Design Patent**
Nishizawa

(10) **Patent No.:** **US D942,961 S**

(45) **Date of Patent:** **** Feb. 8, 2022**

(54) **PORTABLE COMMUNICATION DEVICE**

(71) Applicant: **ICOM INCORPORATED**, Osaka (JP)

(72) Inventor: **Haruki Nishizawa**, Osaka (JP)

(73) Assignee: **ICOM INCORPORATED**, Osaka (JP)

(**) Term: **15 Years**

(21) Appl. No.: **29/718,322**

(22) Filed: **Dec. 23, 2019**

(30) **Foreign Application Priority Data**

Jun. 26, 2019 (JP) 2019-014207

(51) **LOC (13) Cl.** **14-03**

(52) **U.S. Cl.**
USPC **D14/137**

(58) **Field of Classification Search**
USPC D14/137, 138 R, 138 AA, 138 AD;
D10/104.1
CPC H04B 1/3827; H04B 1/3855; H04B
2001/3861; H04B 1/3888; H04B 1/385;
H04M 1/0202; H04M 1/03; H04M 1/035;
H01Q 1/42

See application file for complete search history.

(56) **References Cited**

U.S. PATENT DOCUMENTS

D576,126 S * 9/2008 Nishida D14/137
D577,700 S * 9/2008 Akita D14/137
D600,225 S * 9/2009 Woon D14/137

D652,400 S * 1/2012 Oikawa D14/137
D653,637 S * 2/2012 Ismail D14/137
D853,345 S * 7/2019 Nishida D14/137
D879,062 S * 3/2020 Nishizawa D14/137
D894,143 S * 8/2020 Nishizawa D14/137
D896,197 S * 9/2020 Lee D14/137

FOREIGN PATENT DOCUMENTS

JP D1416031 S 6/2011
JP D1508244 S 10/2014

* cited by examiner

Primary Examiner — Bridget L Eland

(74) *Attorney, Agent, or Firm* — Birch, Stewart, Kolasch & Birch, LLP

(57) **CLAIM**

The ornamental design for a portable communication device, as shown and described.

DESCRIPTION

FIG. 1 is a perspective view of the portable communication device;

FIG. 2 is a front view of the portable communication device;

FIG. 3 is a rear view of the portable communication device;

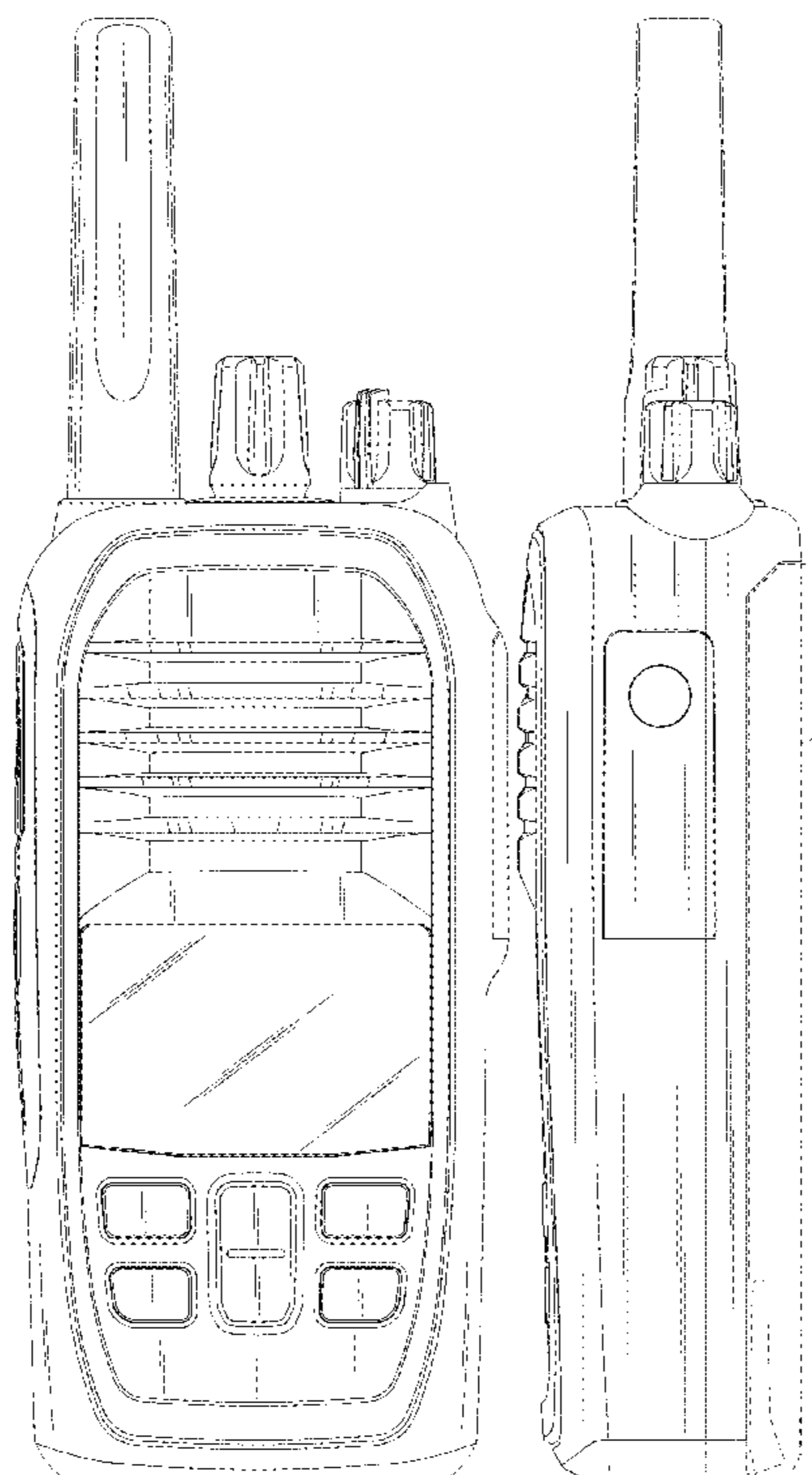
FIG. 4 is a left side view of the portable communication device;

FIG. 5 is a right side view of the portable communication device; and,

FIG. 6 is a top view of the portable communication device.

The broken lines in the drawings are for the purpose of illustrating portions of the portable communication device that form no part of the claimed design.

1 Claim, 5 Drawing Sheets



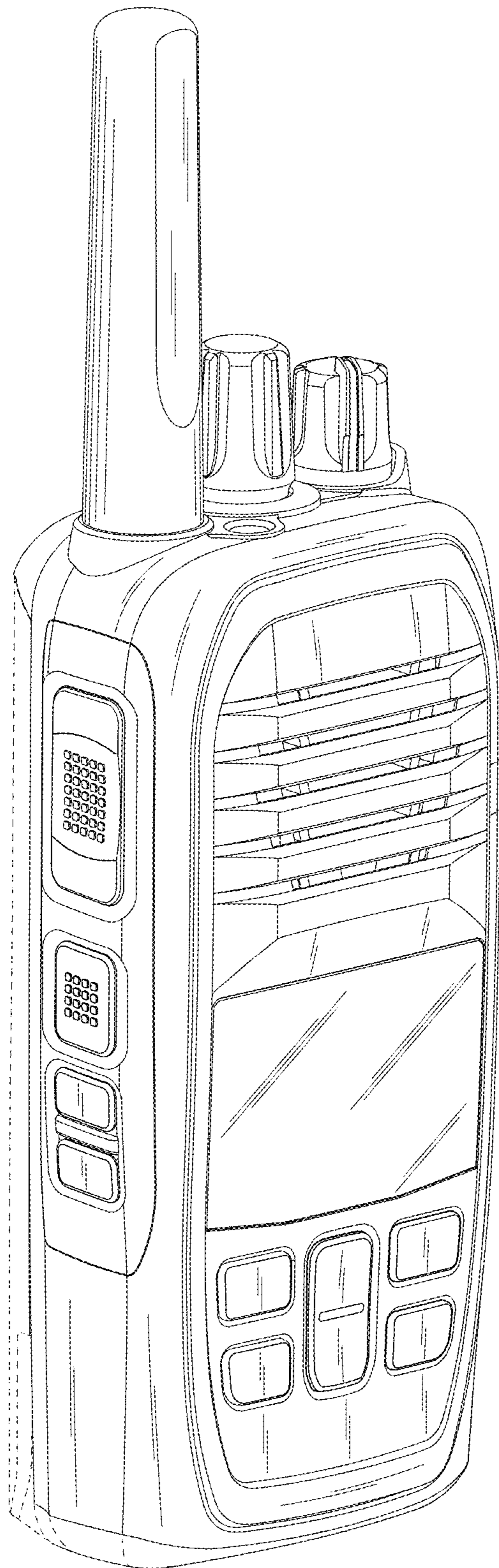


FIG.1

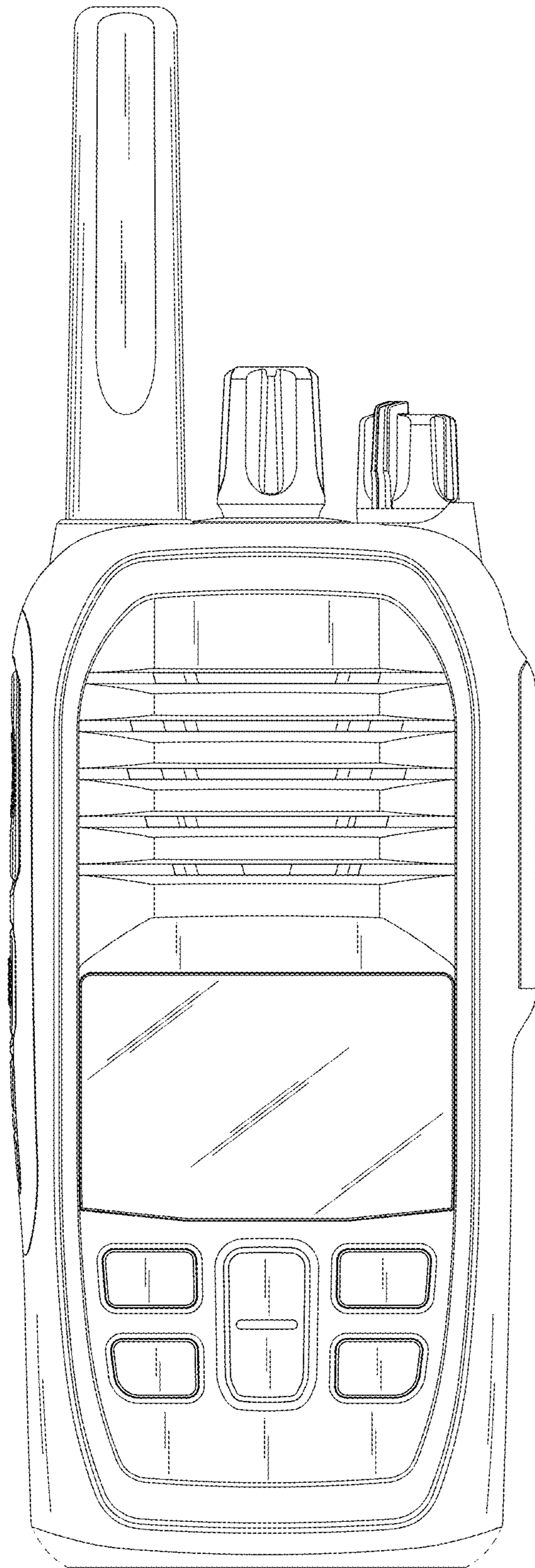


FIG.2

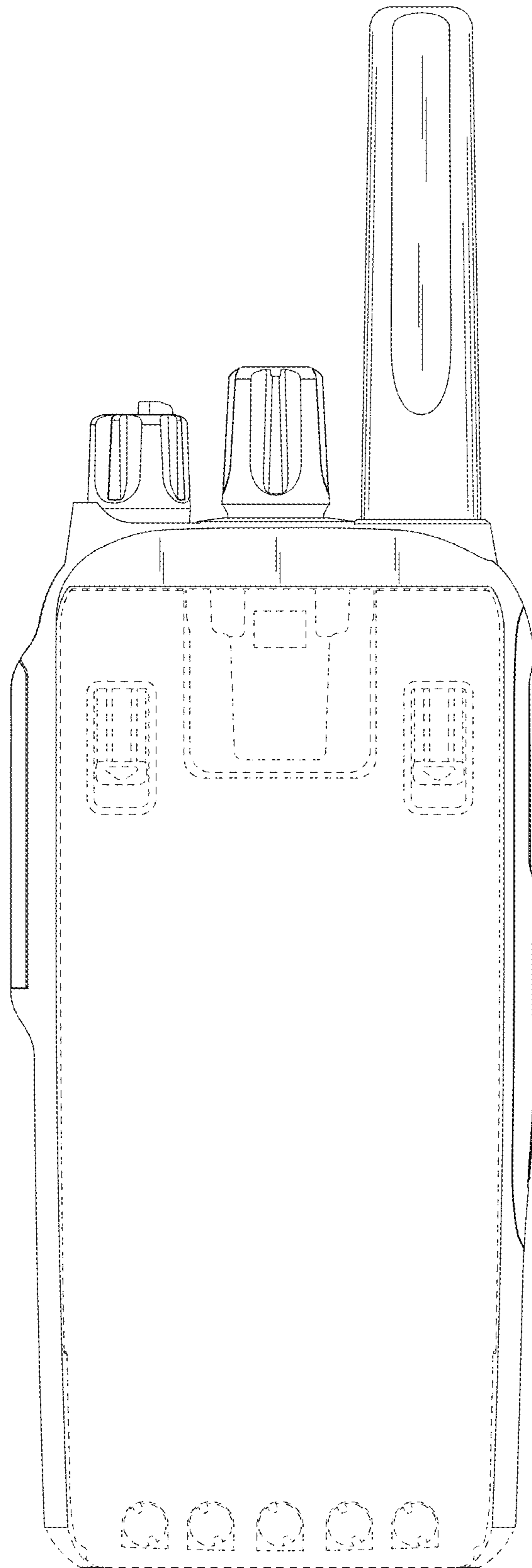


FIG.3

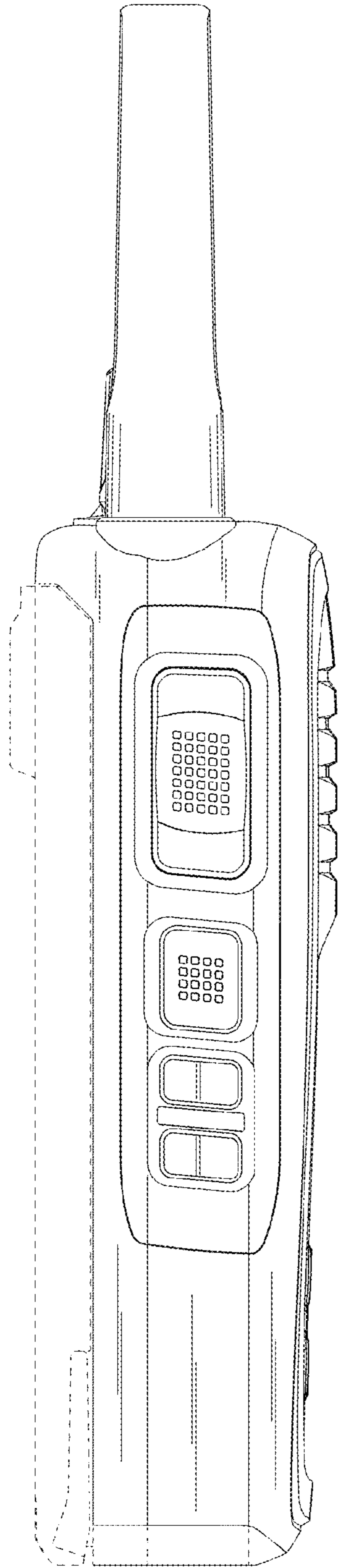


FIG.4

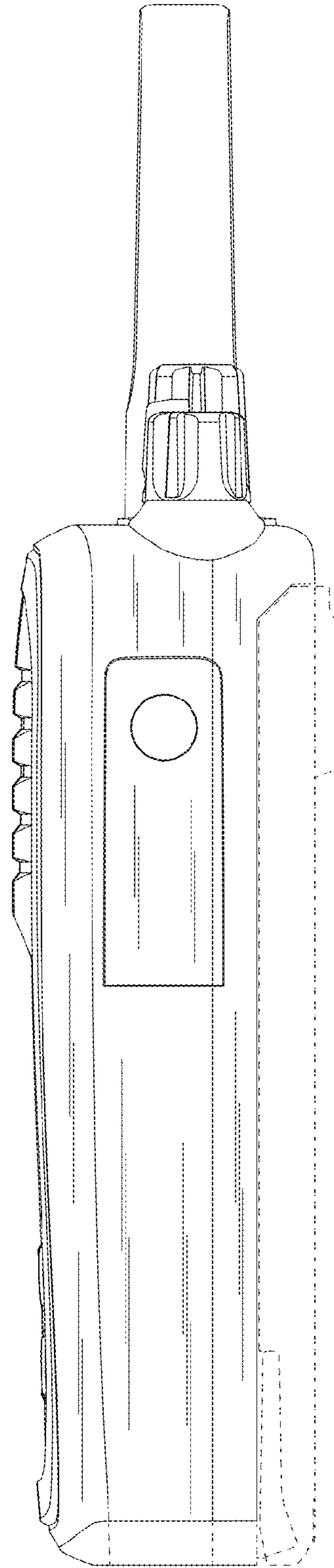


FIG.5

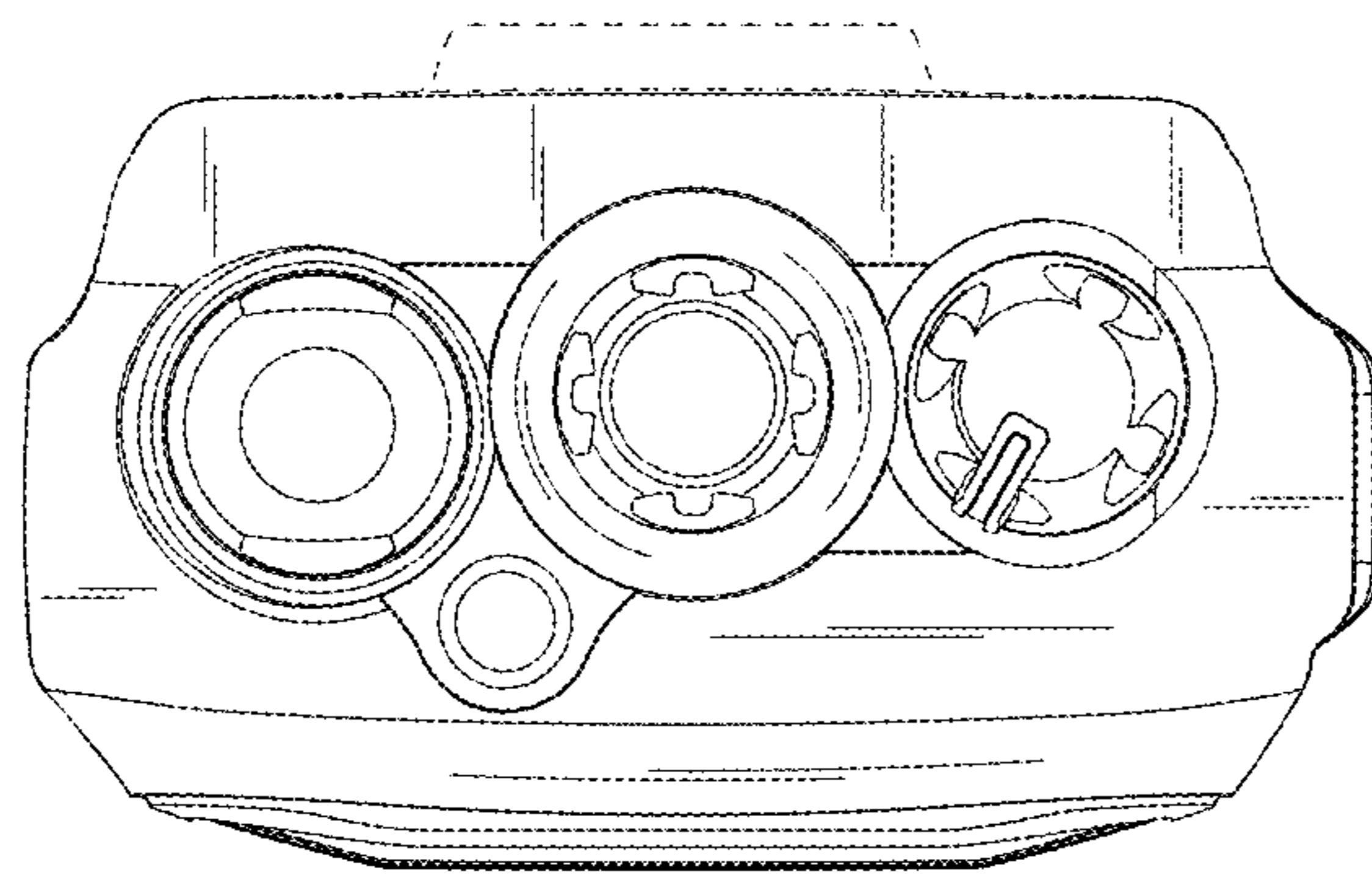


FIG.6