



US00D942960S

(12) **United States Design Patent**
Hwang et al.

(10) **Patent No.:** **US D942,960 S**
(45) **Date of Patent:** **** Feb. 8, 2022**

(54) **ELECTRONIC DISPLAY UNIT**
(71) Applicant: **LG ELECTRONICS INC.**, Seoul (KR)
(72) Inventors: **Jungyeon Hwang**, Seoul (KR); **Yongho Lee**, Seoul (KR); **Hewon Kihl**, Seoul (KR); **Chanwoo Park**, Seoul (KR)
(73) Assignee: **LG ELECTRONICS INC.**, Seoul (KR)
(**) Term: **15 Years**
(21) Appl. No.: **35/510,460**
(22) Filed: **Apr. 1, 2020**
(80) **Hague Agreement Data**
Int. Filing Date: **Apr. 1, 2020**
Int. Reg. No.: **DM/208086**
Int. Reg. Date: **Apr. 1, 2020**
Int. Reg. Pub. Date: **Oct. 2, 2020**

(30) **Foreign Application Priority Data**
Oct. 11, 2019 (KR) 30-2019-0048554
(51) **LOC (13) Cl.** **14-03**
(52) **U.S. Cl.**
USPC **D14/127**
CPC **A63F 9/06** (2013.01)
(58) **Field of Classification Search**
USPC D14/348, 371, 374, 505, 127, 212-214, D14/310, 373; D21/484, 499-500; D6/331-332, 675; D25/112-118, 156; 345/6, 31, 419; 348/383
CPC A63F 9/06; A63F 9/1204; A63F 9/083; A63F 9/34; A63F 2003/00813; A63F 9/0826; A63F 9/0861
See application file for complete search history.

(56) **References Cited**
U.S. PATENT DOCUMENTS
D545,778 S * 7/2007 Isshiki D14/126
D558,743 S * 1/2008 Isshiki D14/239

D561,712 S * 2/2008 Chu D14/126
D562,788 S * 2/2008 Asanuma D14/126
D566,669 S * 4/2008 Ooshima D14/126
D570,312 S * 6/2008 Kita D14/126
D615,054 S * 5/2010 Mellingen D14/127
D618,644 S * 6/2010 Graham D14/127
D619,135 S * 7/2010 Lin D14/374
D634,324 S * 3/2011 Park D14/374
D651,199 S * 12/2011 Huang D14/239
D659,661 S * 5/2012 Lim D14/126
D660,307 S * 5/2012 Huang D14/452
8,472,174 B2 * 6/2013 Idems G09F 9/35
361/679.21
D686,615 S * 7/2013 Lee D14/374

(Continued)

Primary Examiner — Richard E Chilcot
(74) *Attorney, Agent, or Firm* — Birch, Stewart, Kolasch & Birch, LLP

(57) **CLAIM**

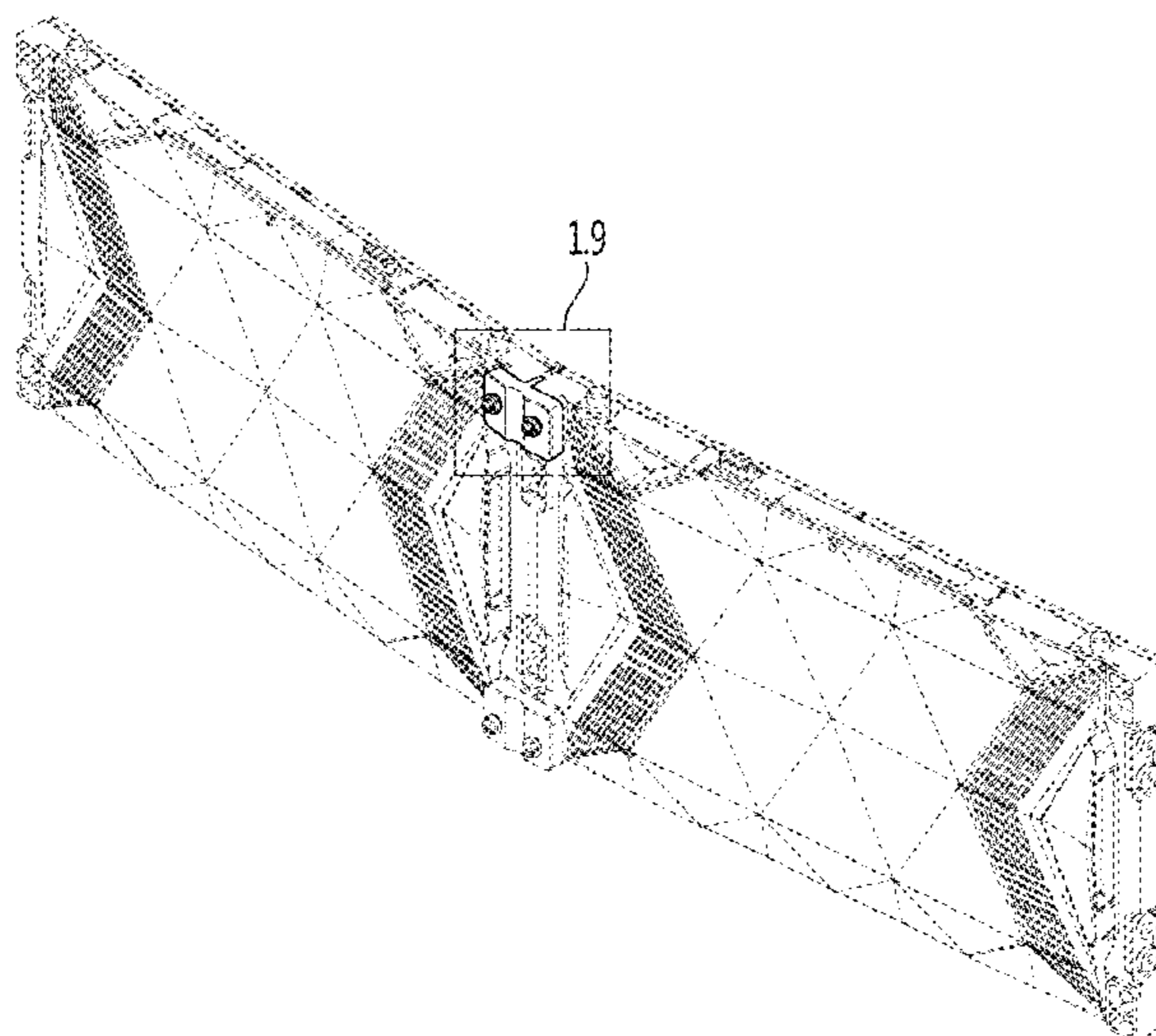
The ornamental design for an electronic display unit, as shown and described.

DESCRIPTION

- 1. Electronic display unit
- 1.1 : Perspective
- 1.2 : Rear perspective view
- 1.3 : Front
- 1.4 : Back
- 1.5 : Left
- 1.6 : Right
- 1.7 : Top
- 1.8 : Bottom
- 1.9 : Enlarged

The reproduction **1.9** is an enlarged view of a portion of the reproduction of **1.2** represented by the square in dash-dot lines and curvy line and the number **1.9**; the broken lines indicate portions of the article that form no part of the claimed design.

1 Claim, 9 Drawing Sheets



(56)

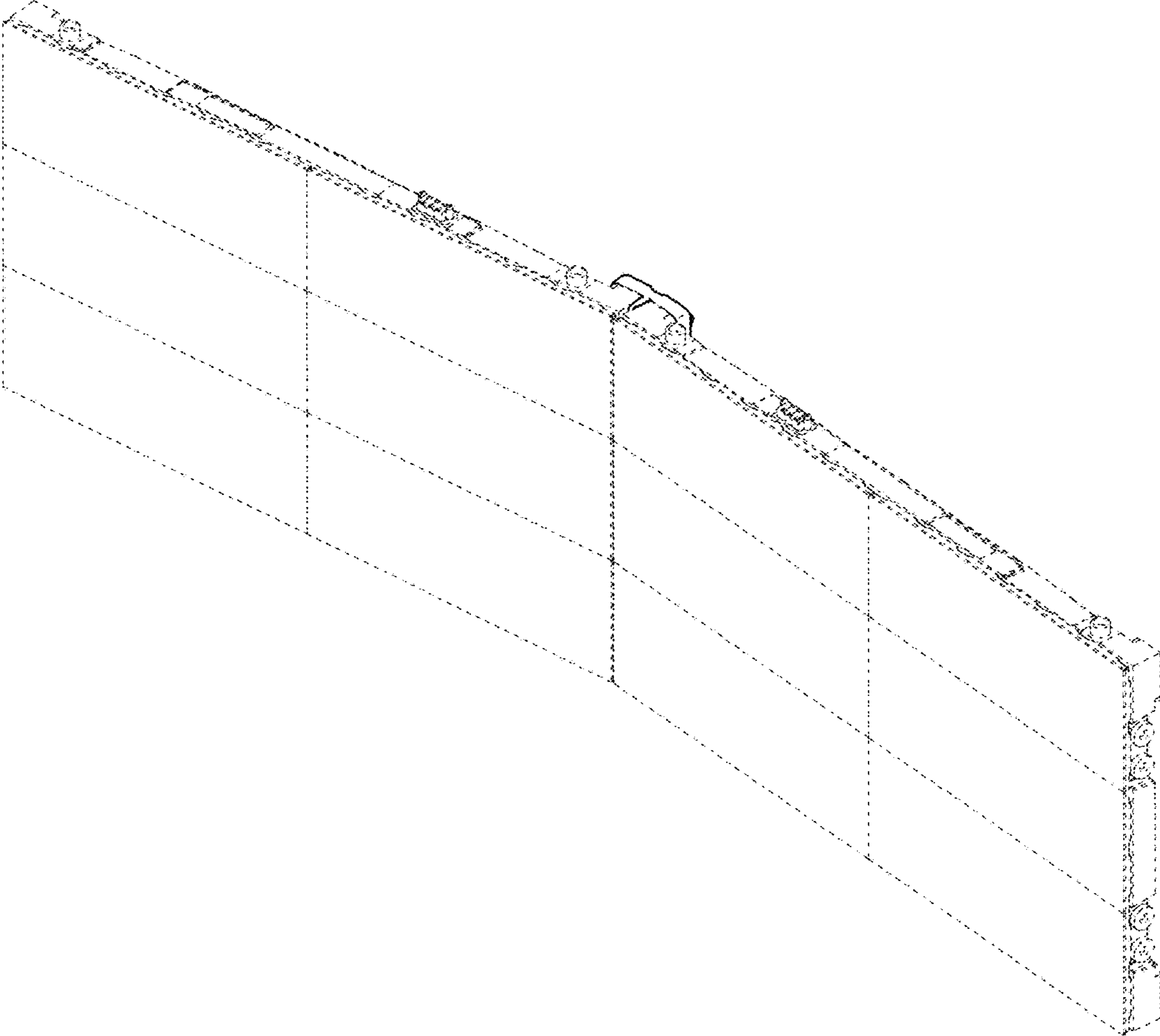
References Cited

U.S. PATENT DOCUMENTS

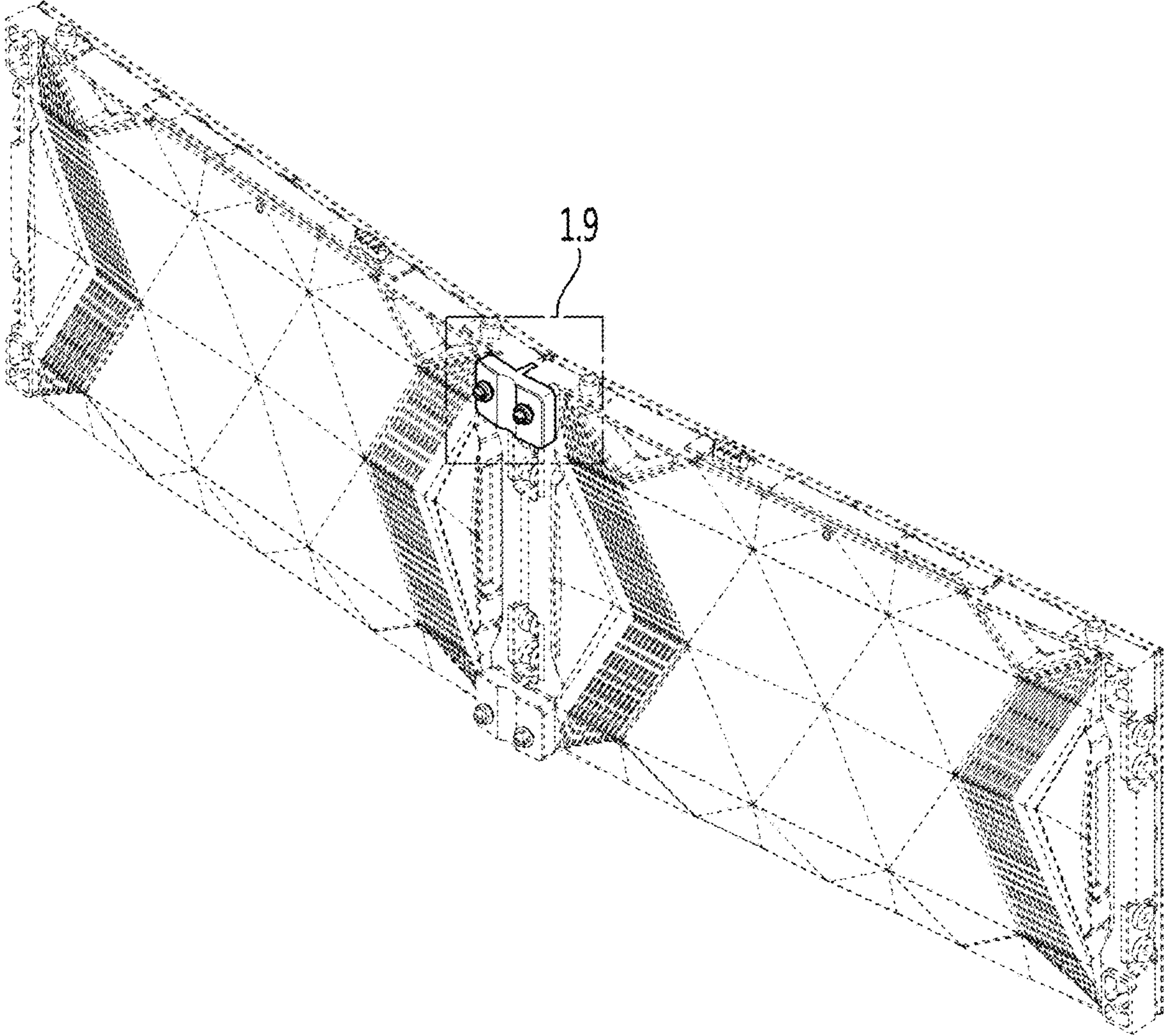
D692,403 S *	10/2013	Takami	D14/126	D790,493 S *	6/2017	Han	D14/126
8,638,548 B2 *	1/2014	Gardes	H04N 5/64 361/679.23	D792,361 S *	7/2017	Han	D14/126
D700,586 S *	3/2014	Kim	D14/126	D796,465 S *	9/2017	Kim	D14/126
D703,168 S *	4/2014	Won	D14/126	D805,511 S *	12/2017	Sun	D14/336
D714,238 S *	9/2014	Kim	D14/126	D812,610 S *	3/2018	Varghese	D14/371
D719,119 S *	12/2014	Park	D14/126	D817,290 S *	5/2018	Lee	D14/126
D720,315 S *	12/2014	Kim	D14/126	D826,200 S *	8/2018	Kim	D14/126
D722,033 S *	2/2015	Kim	D14/126	D826,878 S *	8/2018	Kim	D14/126
D722,989 S *	2/2015	Park	D14/126	D826,884 S *	8/2018	Kim	D14/126
D733,082 S *	6/2015	Hwangbo	D14/126	D828,837 S *	9/2018	Kim	D14/374
D748,596 S *	2/2016	McManigal	D14/126	D830,985 S *	10/2018	Cha	D14/126
D751,519 S *	3/2016	Ma	D14/126	D836,587 S *	12/2018	Cha	D14/126
D754,086 S *	4/2016	Valeur	D14/126	D847,772 S *	5/2019	Kim	D14/126
D755,140 S *	5/2016	Kim	D14/126	D847,773 S *	5/2019	Kim	D14/126
D755,745 S *	5/2016	Williams	D14/126	D848,386 S *	5/2019	Kuwao	D14/126
D756,945 S *	5/2016	Kim	D14/126	D848,965 S *	5/2019	Kim	D14/126
D758,108 S *	6/2016	Do	D6/678	D858,474 S *	9/2019	Lim	D14/126
D764,265 S *	8/2016	Monsees	D8/380	D860,961 S *	9/2019	Kim	D14/126
D768,100 S *	10/2016	Seo	D14/126	D860,962 S *	9/2019	Lee	D14/126
D768,131 S *	10/2016	Kuo	D14/374	D879,732 S *	3/2020	He	D14/126
D771,582 S *	11/2016	Williams	D14/127	D890,710 S *	7/2020	Bakshi	D14/126
D772,830 S *	11/2016	Kim	D14/126	10,705,563 B2 *	7/2020	Lin	G06F 1/1616
D773,419 S *	12/2016	Han	D14/126	D901,414 S *	11/2020	Park	D14/126
D774,484 S *	12/2016	Han	D14/126	D901,416 S *	11/2020	Park	D14/126
D775,094 S *	12/2016	Kim	D14/126	D908,653 S *	1/2021	Eatman	D14/127
D778,854 S *	2/2017	Lee	D14/126	D912,638 S *	3/2021	Liao	D14/127
D778,855 S *	2/2017	Lee	D14/126	D918,163 S *	5/2021	Kim	B64D 11/00154 D14/126
D780,140 S *	2/2017	Kim	D14/126	D923,595 S *	6/2021	Jeong	D14/126
D782,991 S *	4/2017	Kim	D14/126	D923,596 S *	6/2021	Kim	D14/126
D785,581 S *	5/2017	McManigal	D14/126	D924,232 S *	7/2021	Kim	D14/371
D786,813 S *	5/2017	McManigal	D14/126	D925,484 S *	7/2021	Easton	D14/126
D786,868 S *	5/2017	Kim	D14/374	D929,355 S *	8/2021	Diao	D14/126
D787,462 S *	5/2017	Shiono	D14/126	2008/0067312 A1 *	3/2008	Allen	F16M 13/02 248/317
					2019/0102971 A1 *	4/2019	Schoonmaker	F16M 11/06

* cited by examiner

1.1

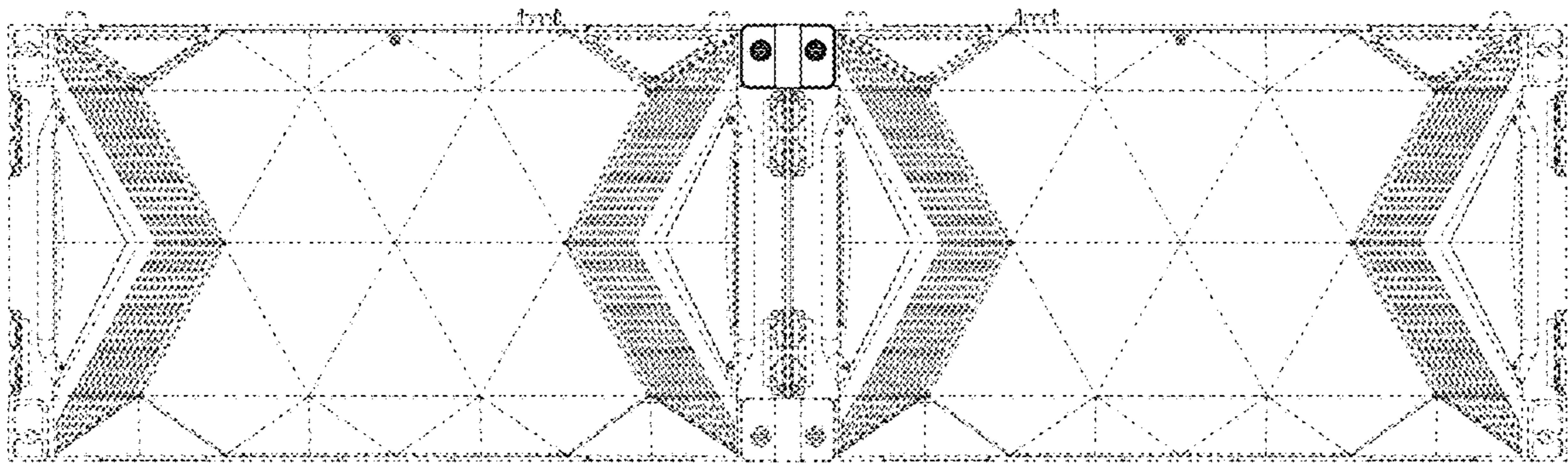


1.2

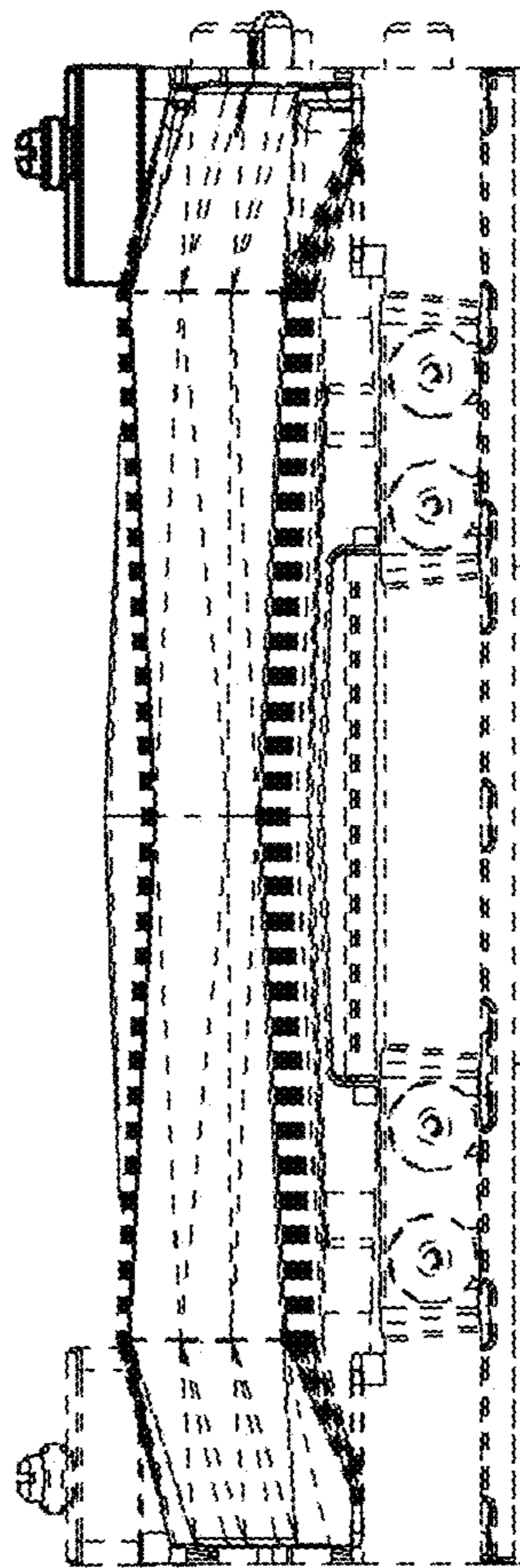


1.3

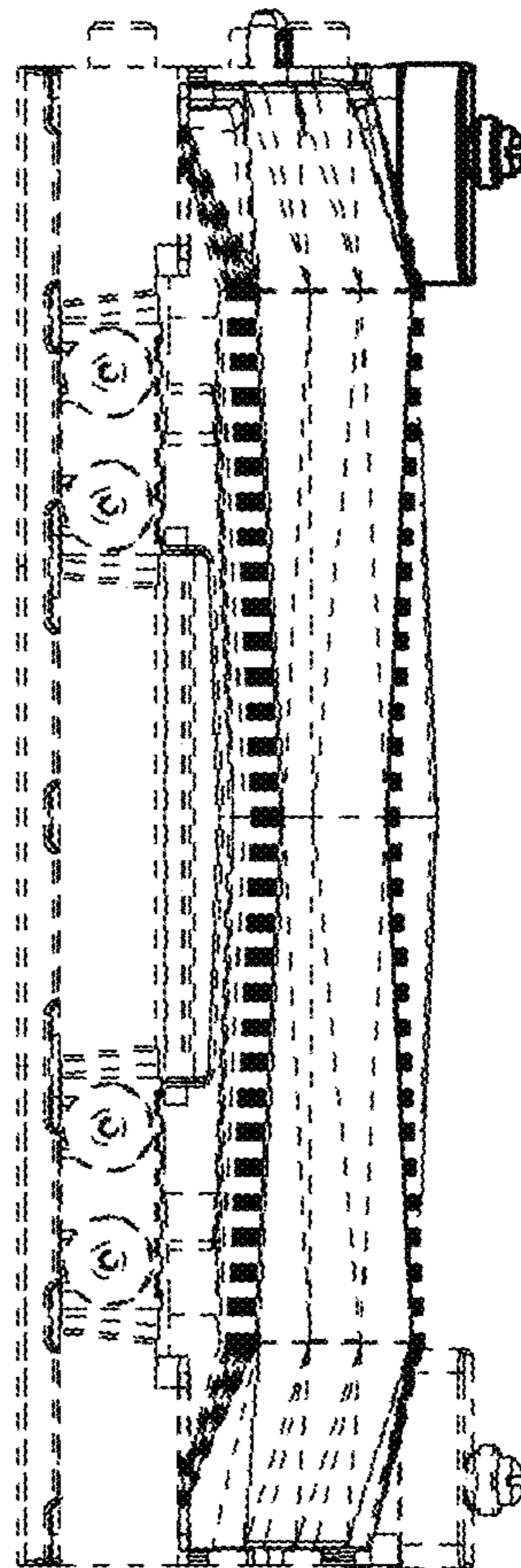
1.4



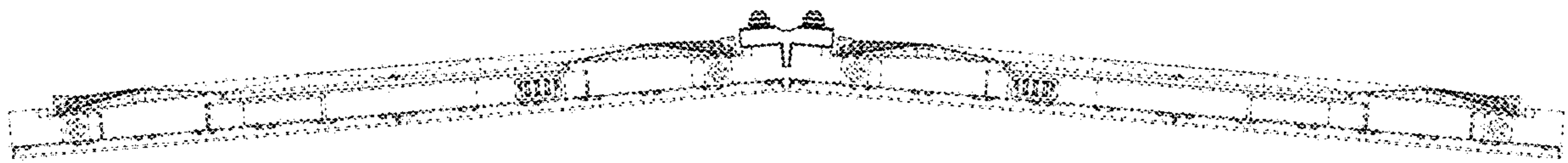
1.5



1.6



1.7



1.8



1.9

