



US00D942957S

(12) **United States Design Patent**
Larsen

(10) **Patent No.:** **US D942,957 S**
(45) **Date of Patent:** **** Feb. 8, 2022**

(54) **IRRIGATION CONTROLLER HOUSING**

(71) Applicant: **Smart Rain Systems, LLC,**
Centerville, UT (US)

(72) Inventor: **Rudy Lars Larsen,** Bountiful, UT (US)

(73) Assignee: **Smart Rain Systems, LLC,**
Centerville, UT (US)

(**) Term: **15 Years**

(21) Appl. No.: **29/720,313**

(22) Filed: **Jan. 10, 2020**

(51) **LOC (13) Cl.** **13-03**

(52) **U.S. Cl.**
USPC **D13/162**

(58) **Field of Classification Search**
USPC D13/162, 168, 184; D10/40, 46, 49, 96
CPC G05B 19/02; G05B 19/04; G05B 19/042;
G05B 19/0423; G05B 19/0426; A01G
25/16; A01G 25/165; A01G 25/167;
H05K 5/0017; Y10T 137/86389
See application file for complete search history.

(56) **References Cited**

U.S. PATENT DOCUMENTS

- 4,937,732 A * 6/1990 Brundisini A01G 25/16
137/624.2
- 5,479,338 A * 12/1995 Ericksen A01G 25/16
137/624.2

(Continued)

OTHER PUBLICATIONS

Amazon.com _ Hunter PRO-HC PHC-600 Residential Outdoor Professional Grade Wi-Fi Controller; Jul. 31, 2017; 2 pgs.;https://www.amazon.com/dp/B06XQ5PTZP7tag=architecture_lab-20&linkCode=ogi&th=1&psc=1#customerReviews.*

Primary Examiner — Selina Sikder

(74) *Attorney, Agent, or Firm* — Dentons Durham Jones Pinegar; Sarah W. Matthews

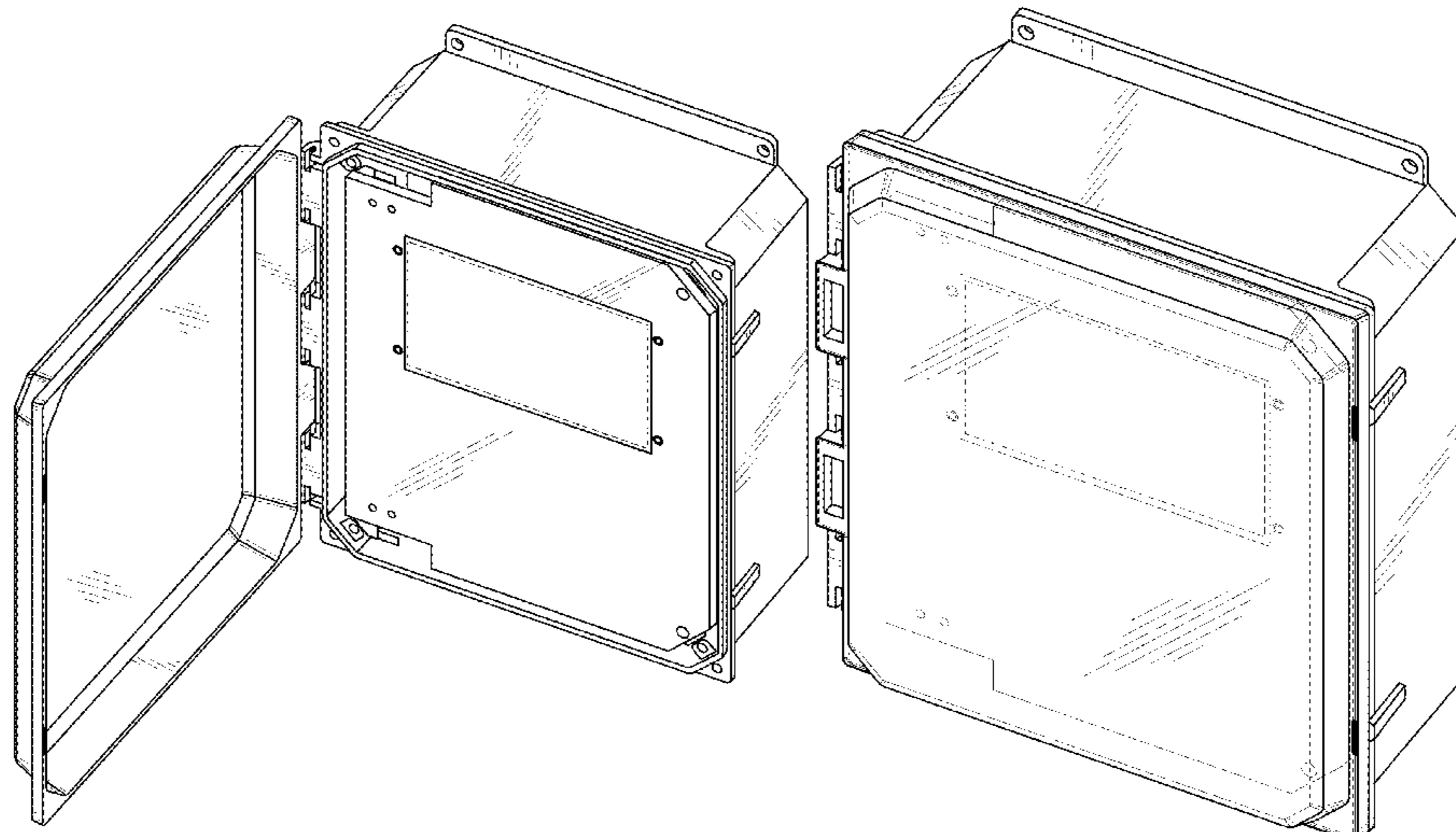
(57) **CLAIM**

The ornamental design for an irrigation controller housing, as shown and described.

DESCRIPTION

FIG. 1 is a front perspective view of my new design for an irrigation controller housing, having the front cover in an open position;
 FIG. 2 is a front elevation view of the irrigation controller housing shown in FIG. 1;
 FIG. 3 is a rear elevation view of the irrigation controller housing shown in FIG. 1;
 FIG. 4 is left side view of the irrigation controller housing shown in FIG. 1;
 FIG. 5 is a right side view of the irrigation controller housing shown in FIG. 1;
 FIG. 6 is a top plan view of the irrigation controller housing shown in FIG. 1;
 FIG. 7 is a bottom plan view of the irrigation controller housing shown in FIG. 1;
 FIG. 8 is a front perspective view of my new design for an irrigation controller housing, having the front cover in a closed position;
 FIG. 9 is a front elevation view of the irrigation controller housing shown in FIG. 8;
 FIG. 10 is a rear elevation view of the irrigation controller housing shown in FIG. 8;
 FIG. 11 is left side view of the irrigation controller housing shown in FIG. 8;
 FIG. 12 is a right side view of the irrigation controller housing shown in FIG. 8;
 FIG. 13 is a top plan view of the irrigation controller housing shown in FIG. 8; and,
 FIG. 14 is a bottom plan view of the irrigation controller housing shown in FIG. 8.
 Broken lines shown in the drawings form no part of the claimed design. Oblique lines shown in the drawings indicate transparent or translucent surfaces.

1 Claim, 12 Drawing Sheets



(56)

References Cited

U.S. PATENT DOCUMENTS

5,748,466 A * 5/1998 McGivern A01G 25/16
 239/63
 5,813,606 A * 9/1998 Ziff A01G 25/167
 239/63
 6,240,336 B1 * 5/2001 Brundisini A01G 25/16
 700/284
 10,069,284 B1 * 9/2018 Paul A01G 25/165
 D879,052 S * 3/2020 Kremer D13/162
 10,609,878 B2 * 4/2020 Montgomery A01G 25/16
 D891,376 S * 7/2020 Price D13/162
 D910,465 S * 2/2021 Lindeman D10/49
 10,917,979 B1 * 2/2021 Paul H05K 5/0017
 D920,938 S * 6/2021 Matti D13/184
 D925,483 S * 7/2021 Elashuk D13/184
 11,109,546 B2 * 9/2021 Weiler G06Q 50/02
 2005/0038529 A1 * 2/2005 Perez G05B 19/042
 700/19
 2017/0208757 A1 * 7/2017 Valmont A01G 31/02
 2018/0014480 A1 * 1/2018 Montgomery G05B 19/042
 2018/0077880 A1 * 3/2018 Stange A01G 25/16
 2020/0350778 A1 * 11/2020 Nemecek H04W 4/029
 2021/0212219 A1 * 7/2021 Kelly H05K 5/069

* cited by examiner

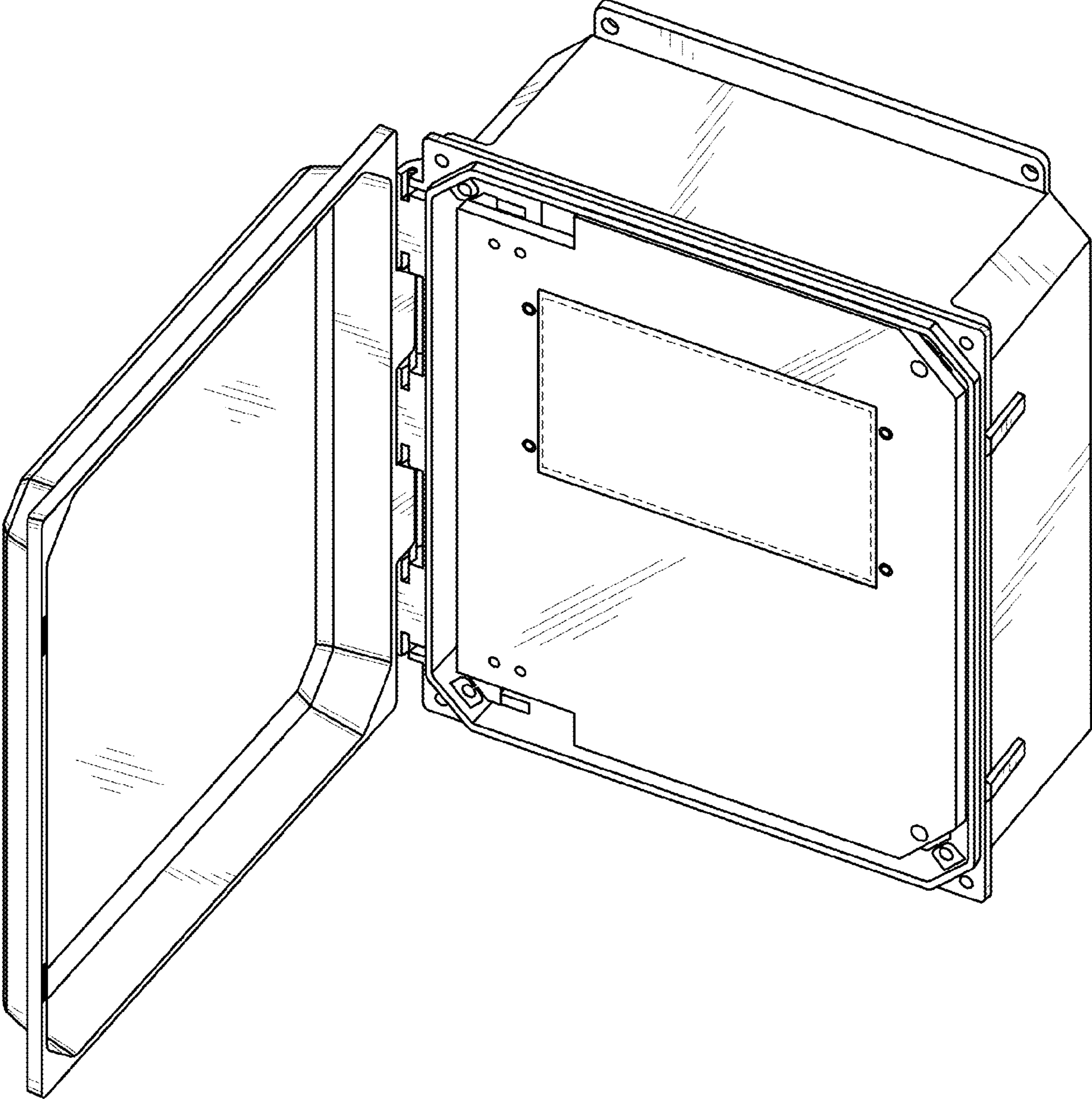


FIG. 1

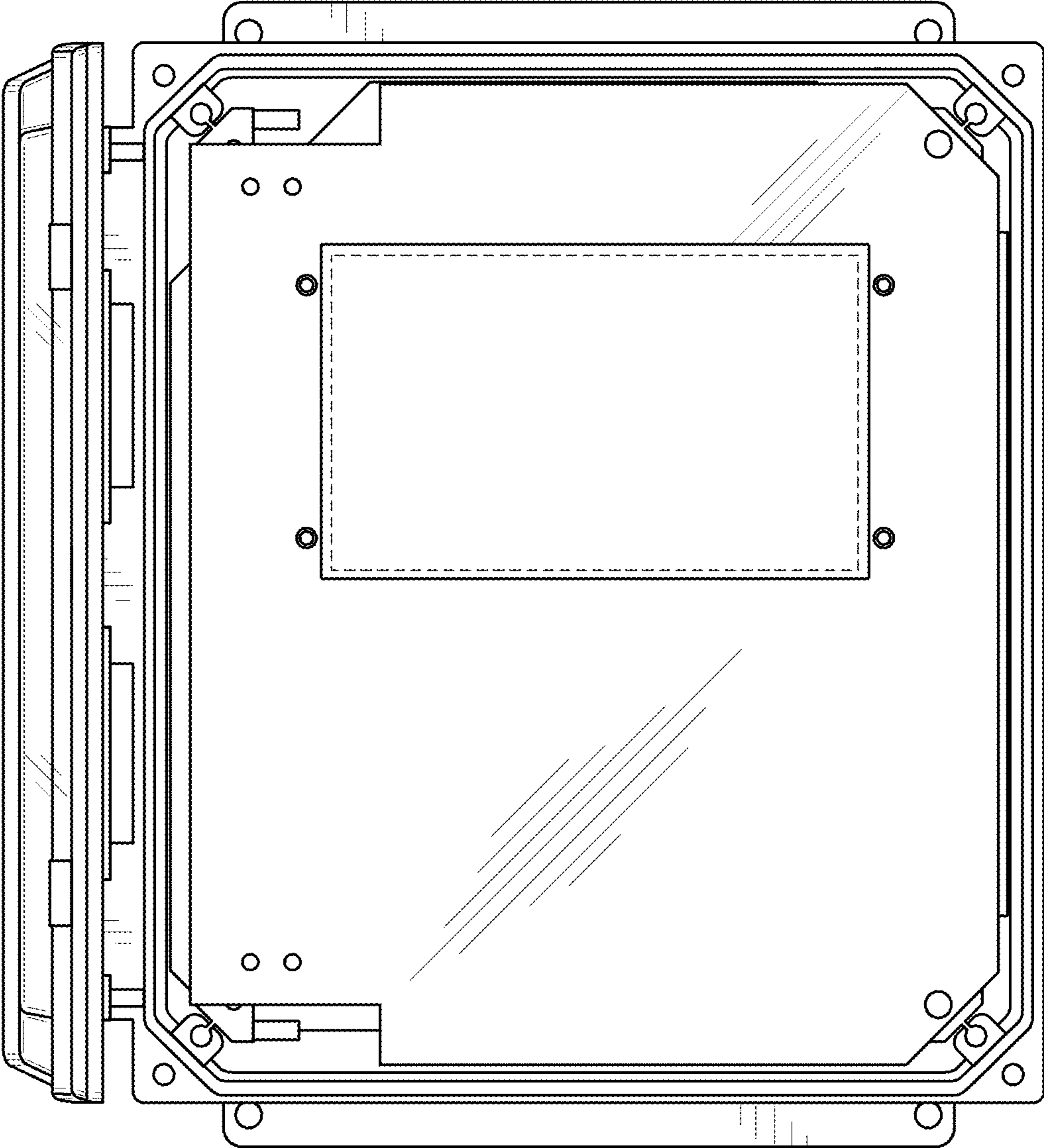


FIG. 2

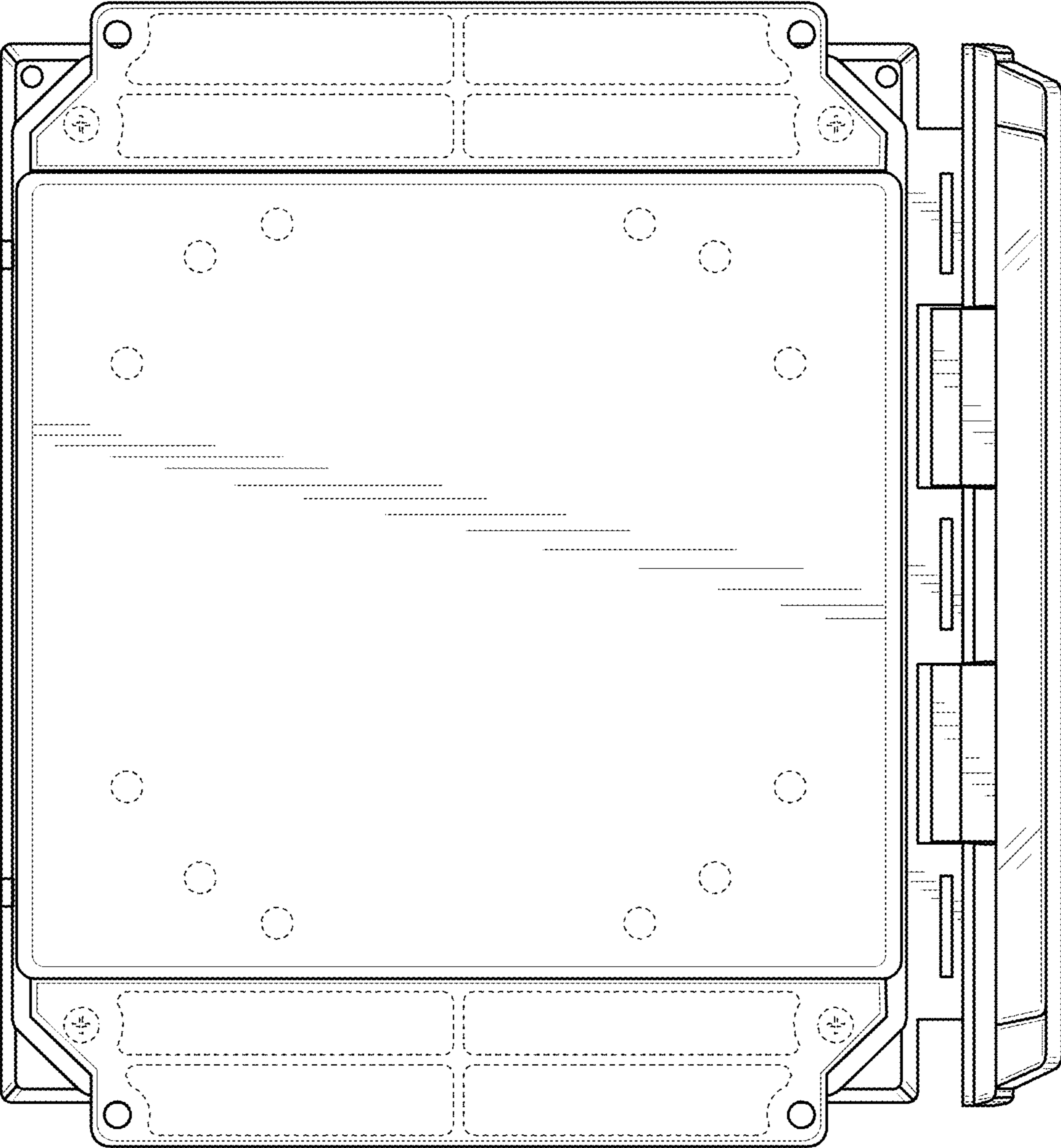


FIG. 3

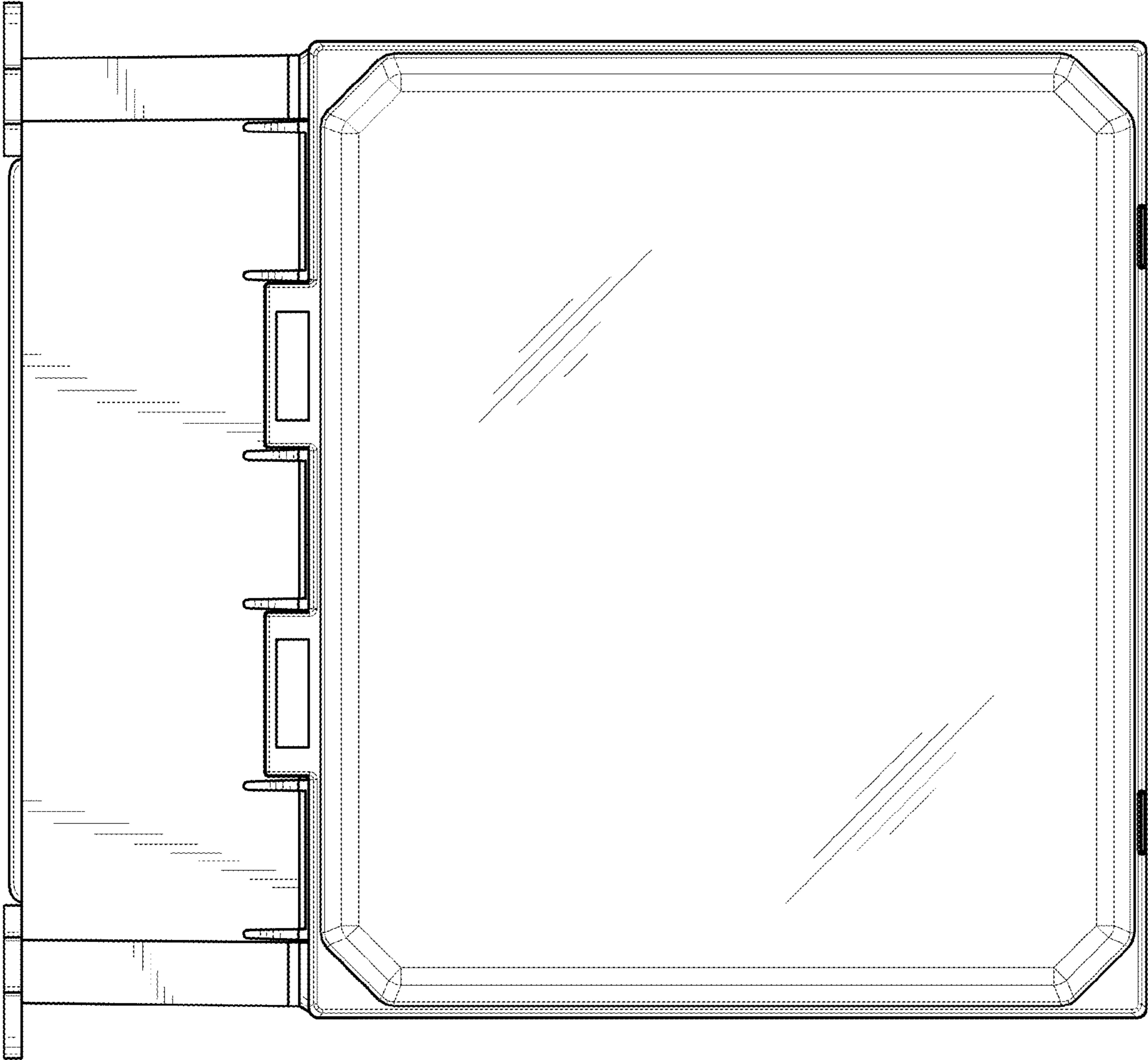


FIG. 4

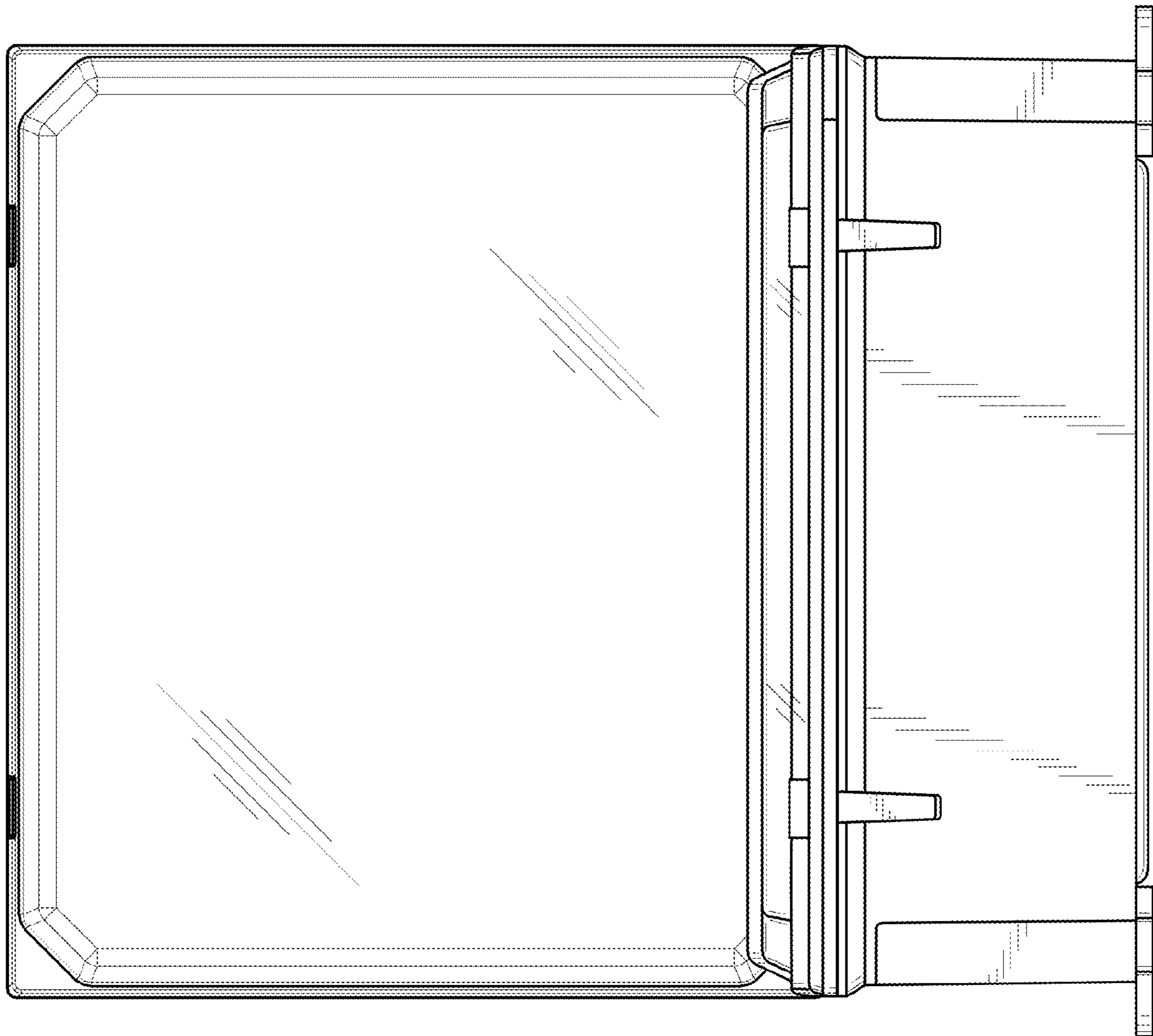


FIG. 5

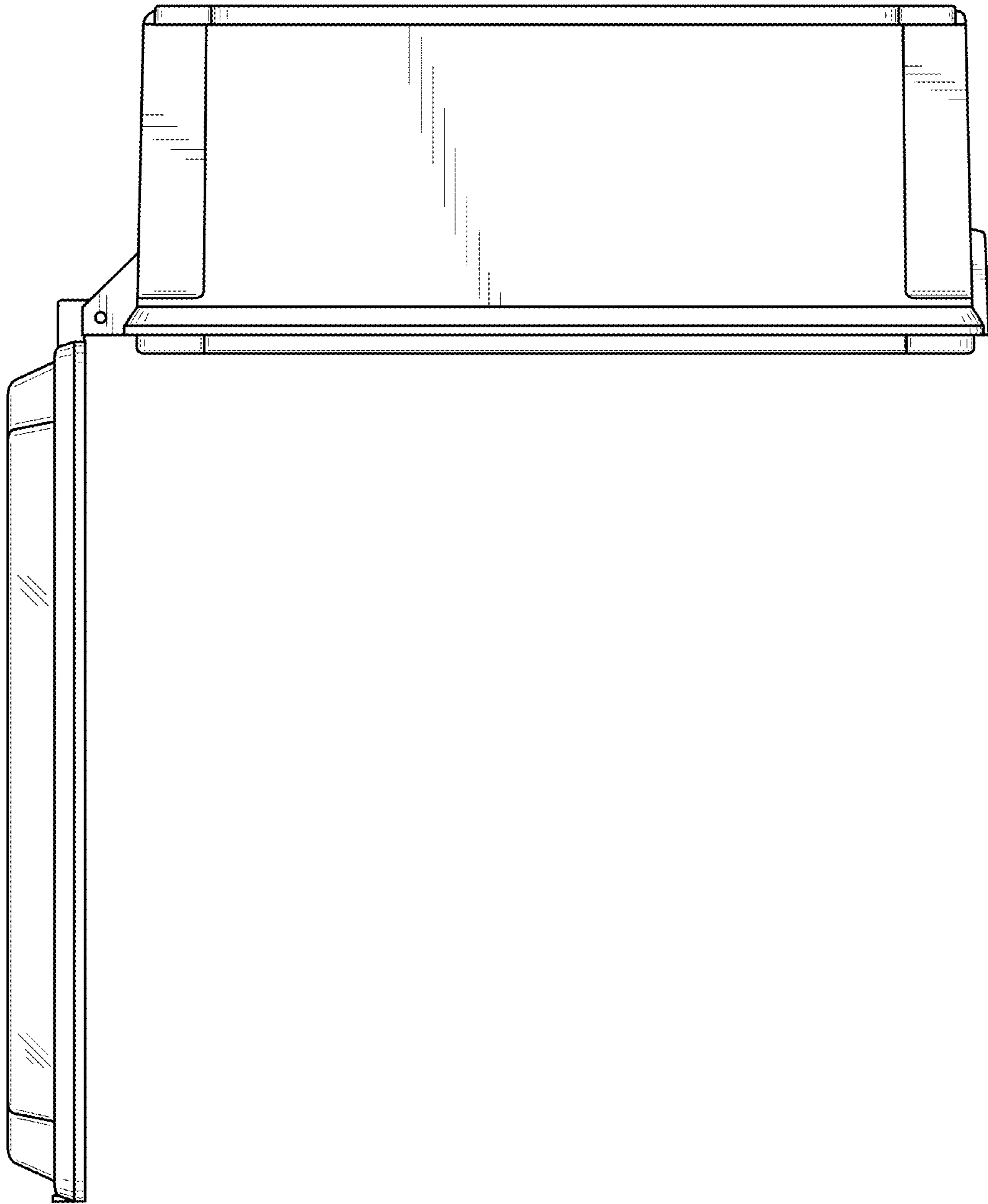


FIG. 6

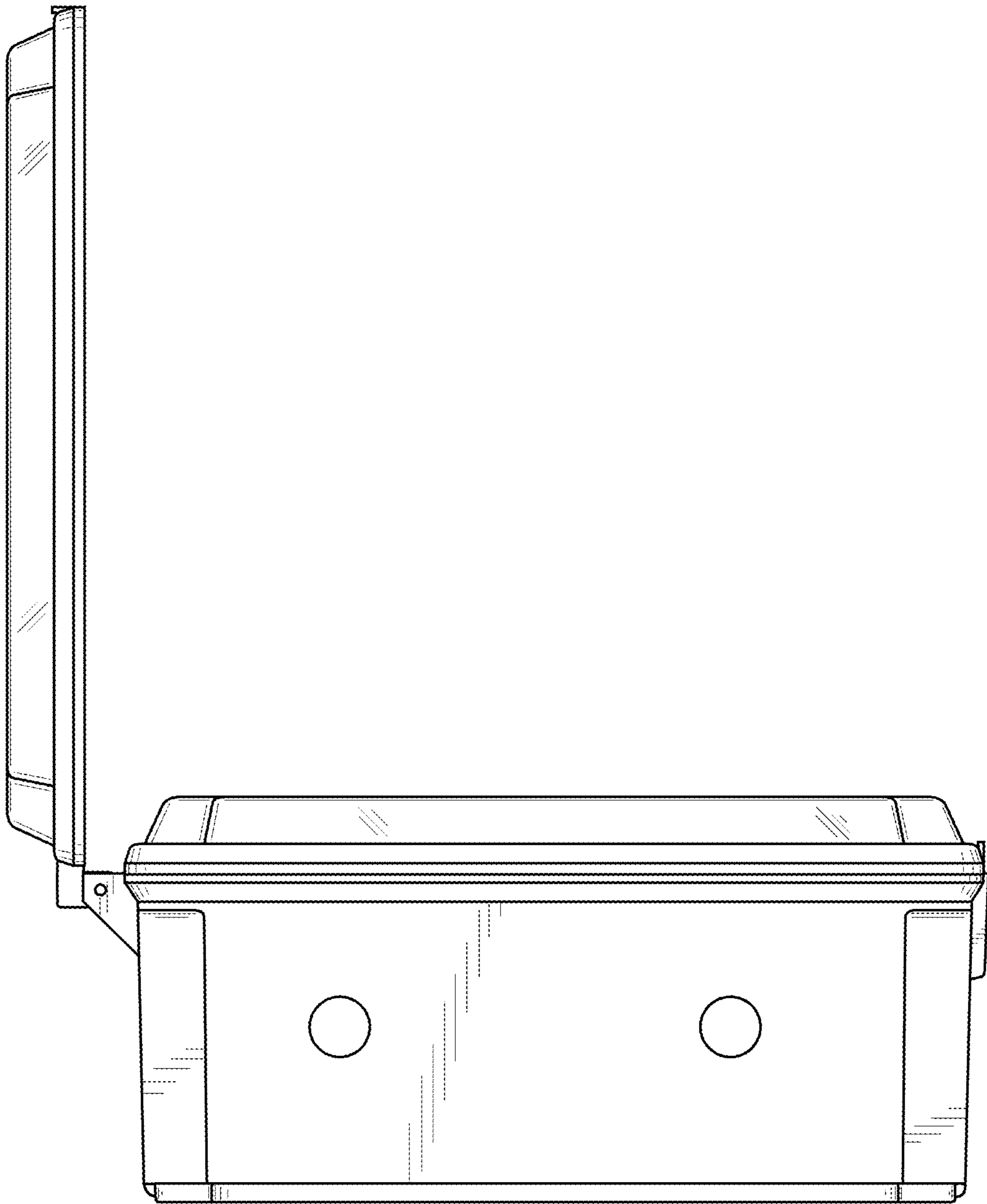


FIG. 7

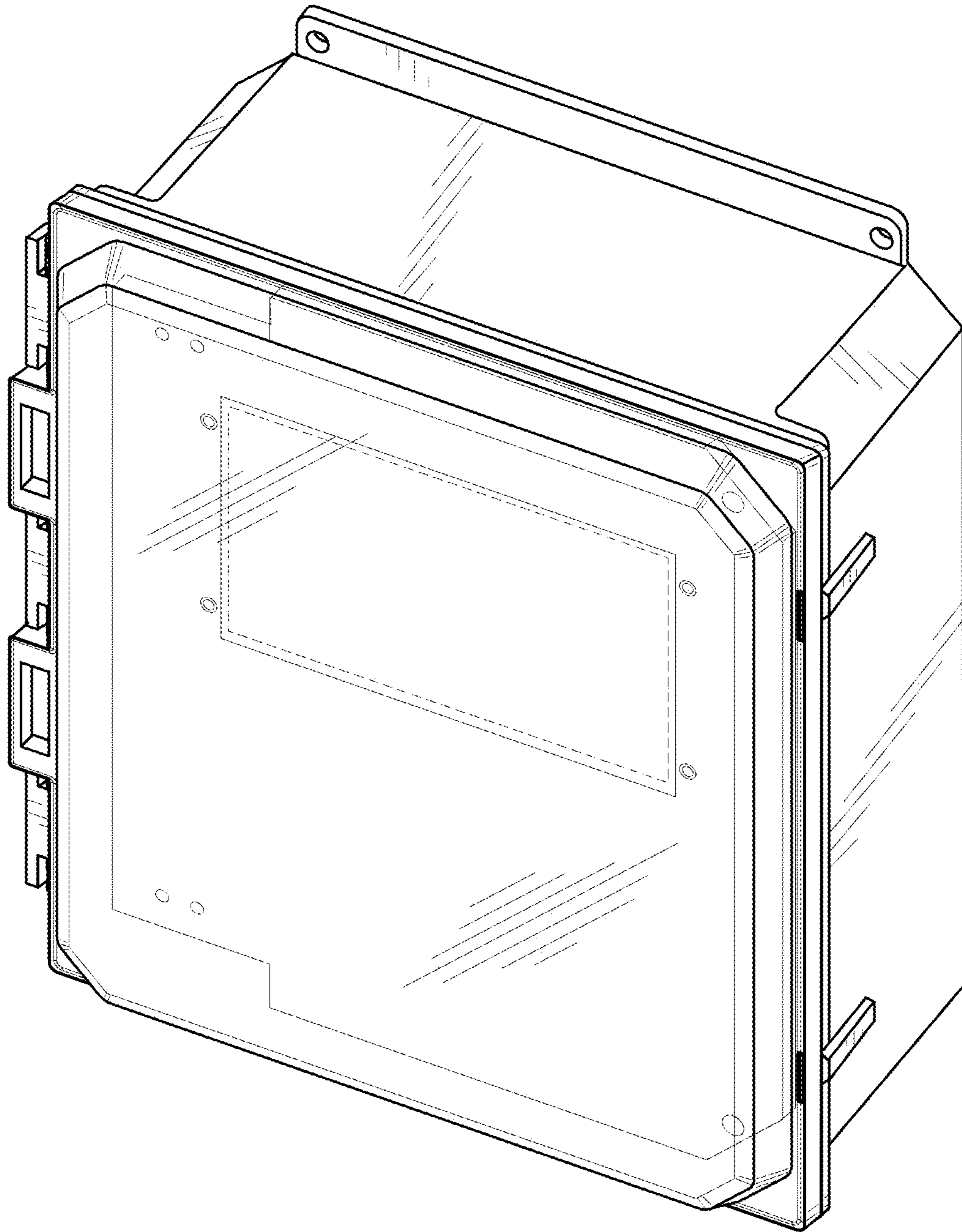


FIG. 8

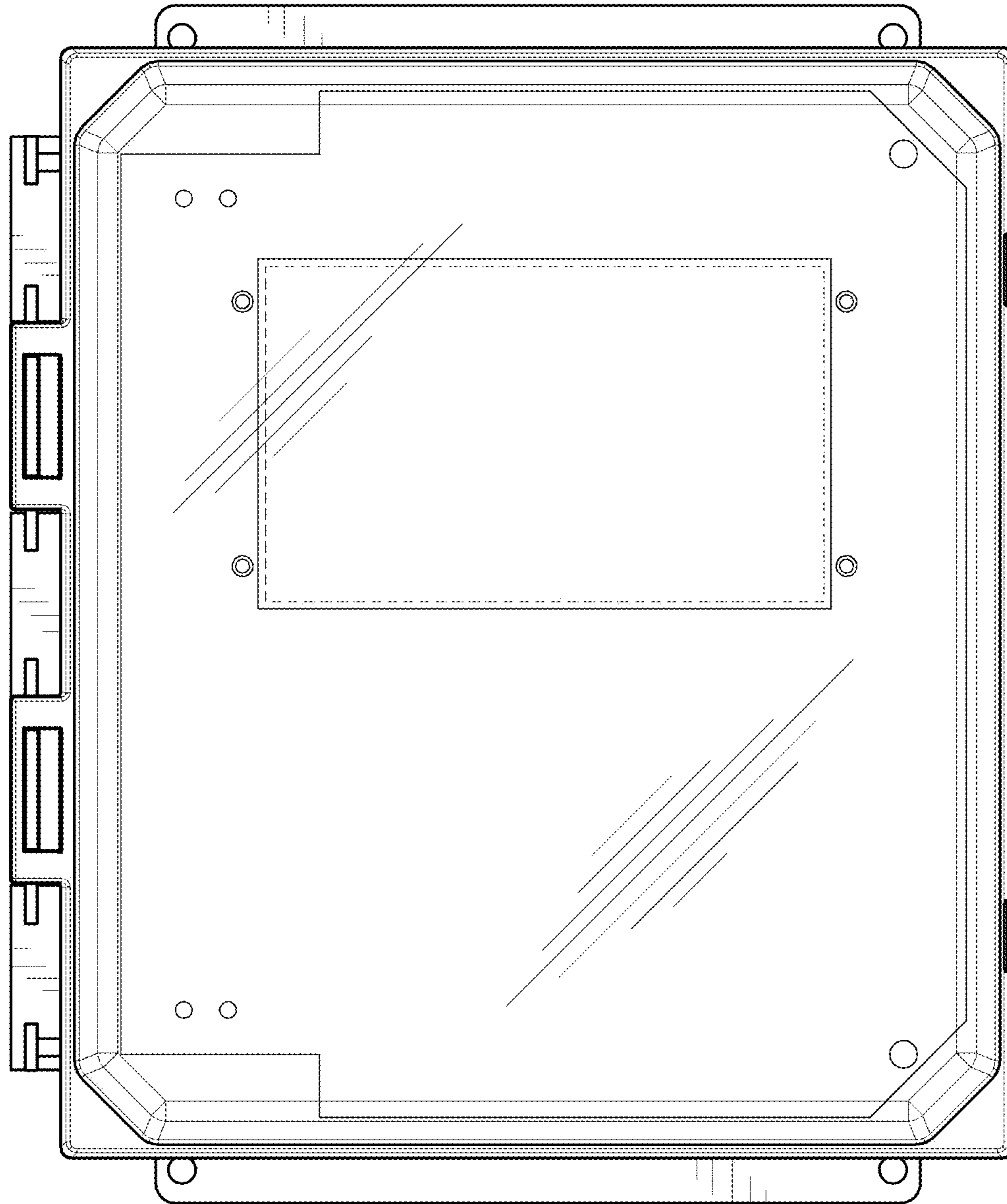


FIG. 9

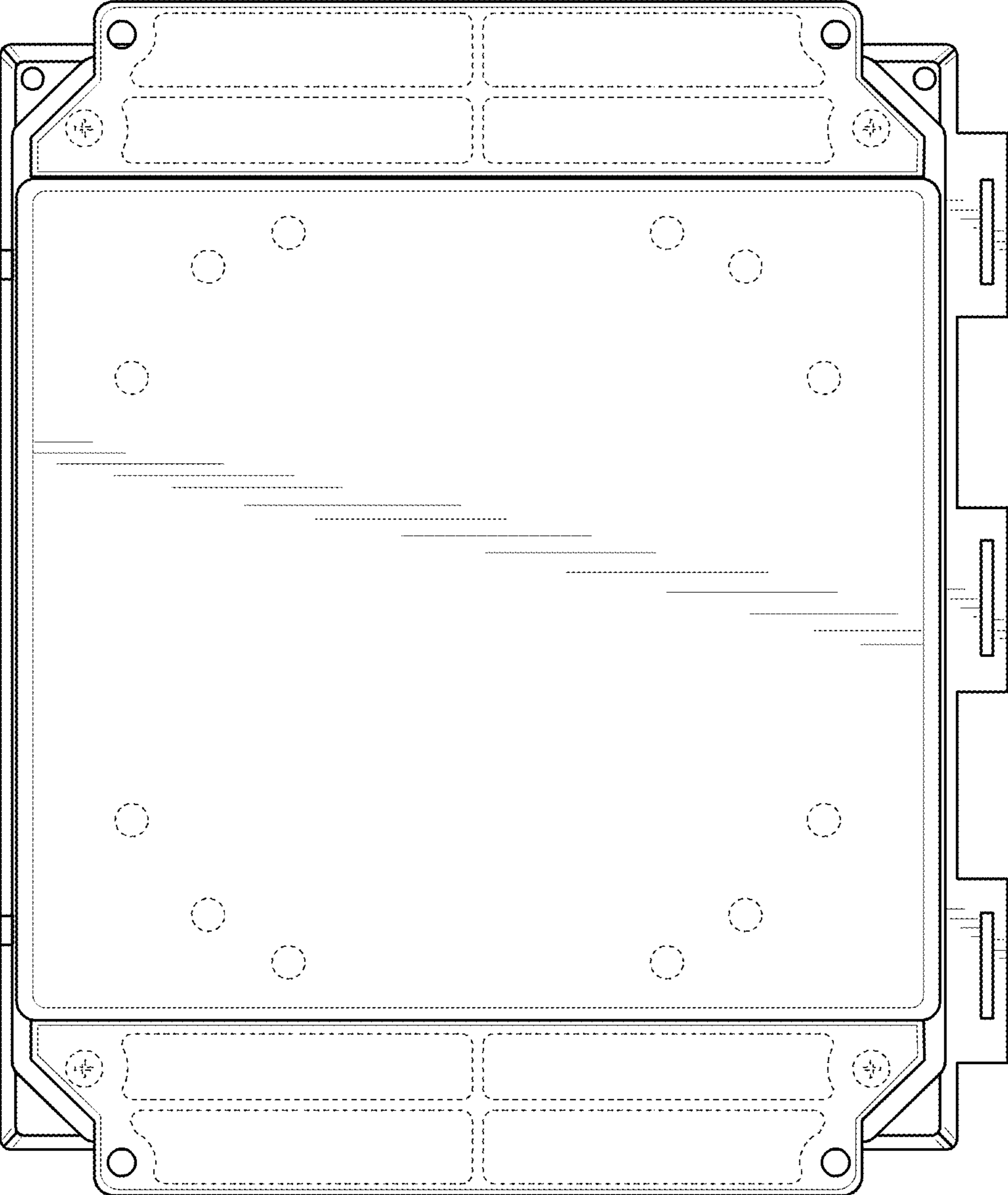


FIG. 10

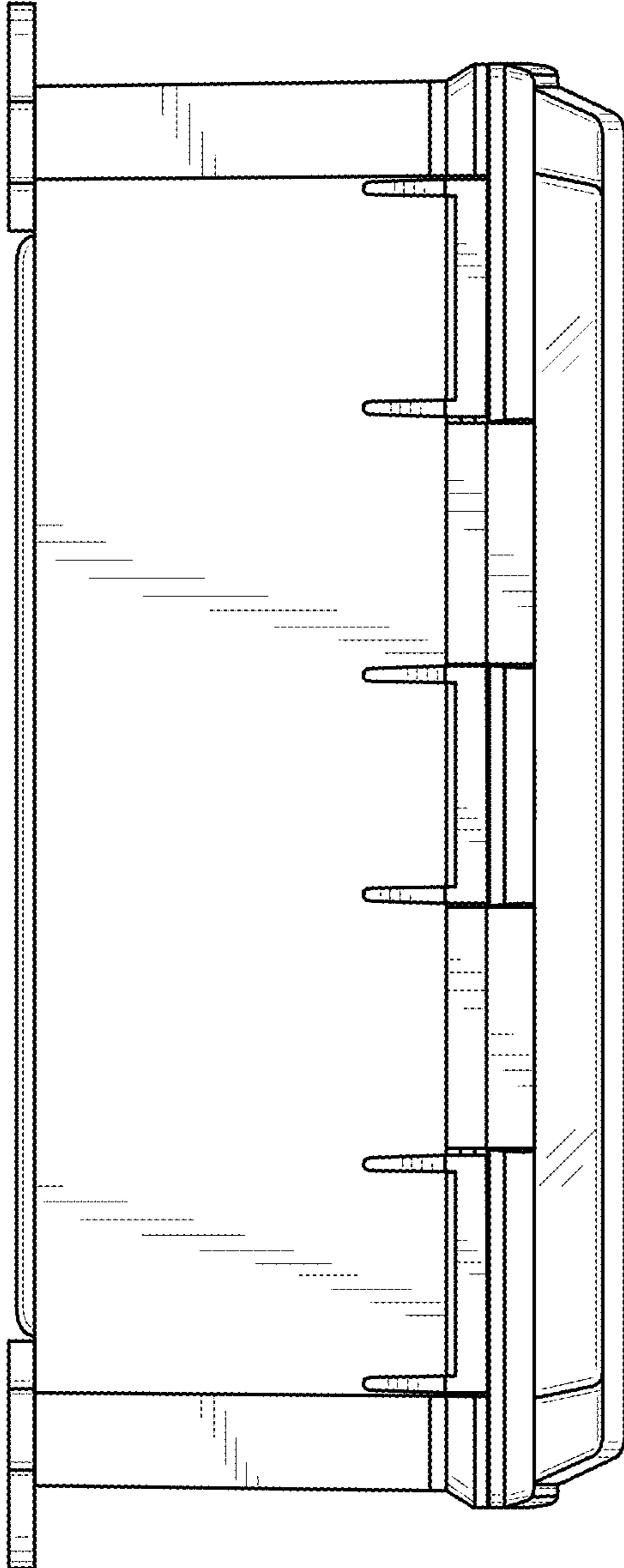


FIG. 11

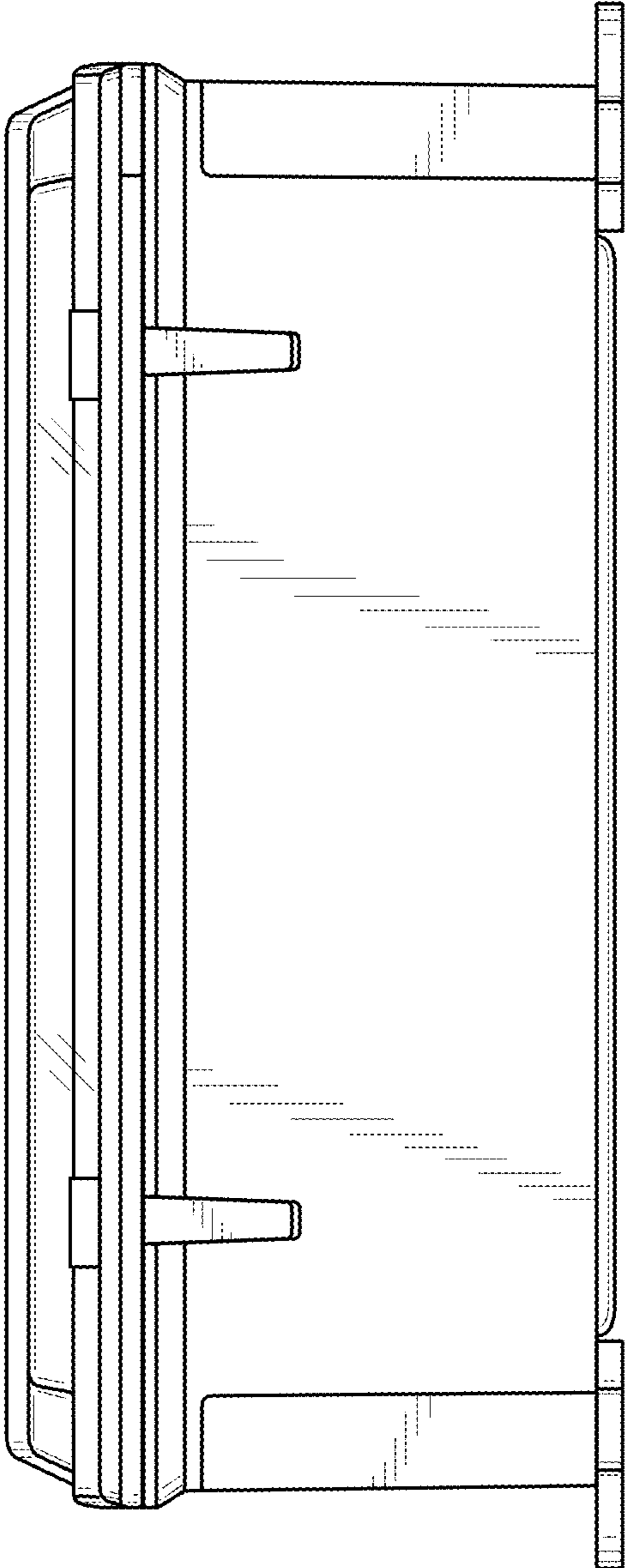


FIG. 12

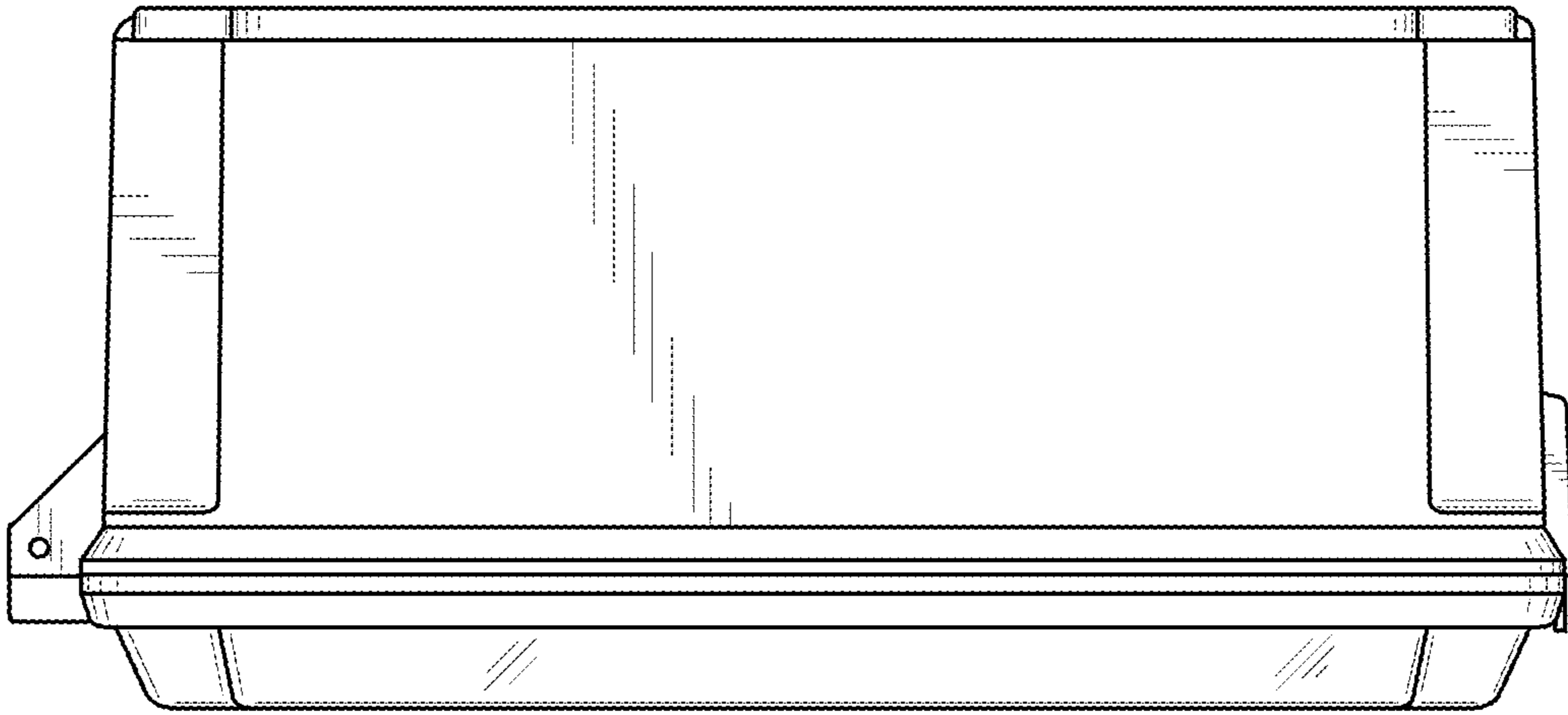


FIG. 13

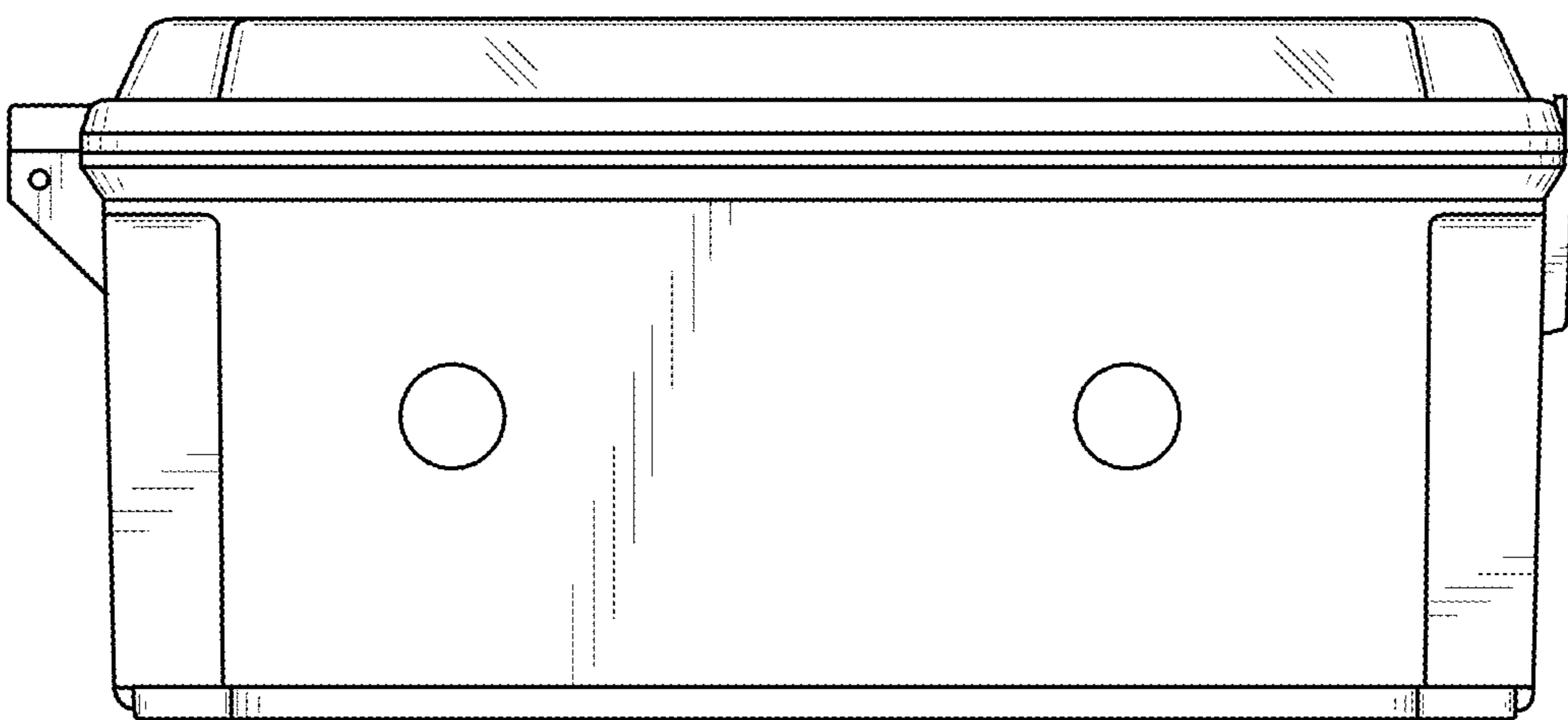


FIG. 14