



US00D942955S

(12) **United States Design Patent** (10) **Patent No.:** **US D942,955 S**
Kluwe (45) **Date of Patent:** **** Feb. 8, 2022**

(54) **CAP FOR AN ADAPTER**
(71) Applicant: **CORNING RESEARCH & DEVELOPMENT CORPORATION**,
Corning, NY (US)
(72) Inventor: **Wolf Peter Kluwe**, Hagen (DE)
(73) Assignee: **Corning Research & Development Corporation**, Corning, NY (US)
(**) Term: **15 Years**

6,547,450 B2 4/2003 Lampert
7,164,840 B2 1/2007 Hsieh
D551,628 S 9/2007 Meier et al.
D572,661 S 7/2008 En Lin et al.
D593,505 S 6/2009 Fimbres
7,706,657 B1 4/2010 McQuiggan
(Continued)

FOREIGN PATENT DOCUMENTS

JP 2001013373 A 1/2001
JP 2001235653 A 8/2001
JP 04060992 B2 3/2008

OTHER PUBLICATIONS

StarTech—SFP Dust Cover. Date: Mar. 15, 2018. [online], [Site visited Jul. 2, 2021]. Available from Internet URL: <https://www.amazon.com/dp/B079PF6Q6R/> (Year: 2018).*

(Continued)

Primary Examiner — Susan Bennett Hattan
Assistant Examiner — Landon Thomas Cassell
(74) *Attorney, Agent, or Firm* — Adam R. Weeks

(21) Appl. No.: **29/717,896**
(22) Filed: **Dec. 19, 2019**
(51) **LOC (13) Cl.** **13-03**
(52) **U.S. Cl.**
USPC **D13/156**
(58) **Field of Classification Search**
USPC D13/133, 146, 147, 123, 184, 199, 118,
D13/120, 154, 155, 173, 156, 121, 161,
D13/175, 103, 158, 162, 162.1, 149, 150,
D13/151, 153; D8/382; D14/432, 433
CPC ... H01R 4/00; H01R 9/00; H01R 9/03; H01R
9/05; H01R 9/0503; H01R 9/0506; H01R
9/0521; H01R 9/16; H01R 9/18; H01R
9/22; H01R 9/2408; H01R 9/2416; H01R
9/2425; H01R 2201/00; G02B 6/38;
G02B 6/3885; G02B 6/3893; G02B 6/44;
G02B 6/4455; G02B 6/3825; G02B
6/3877; G02B 6/3897
See application file for complete search history.

CLAIM

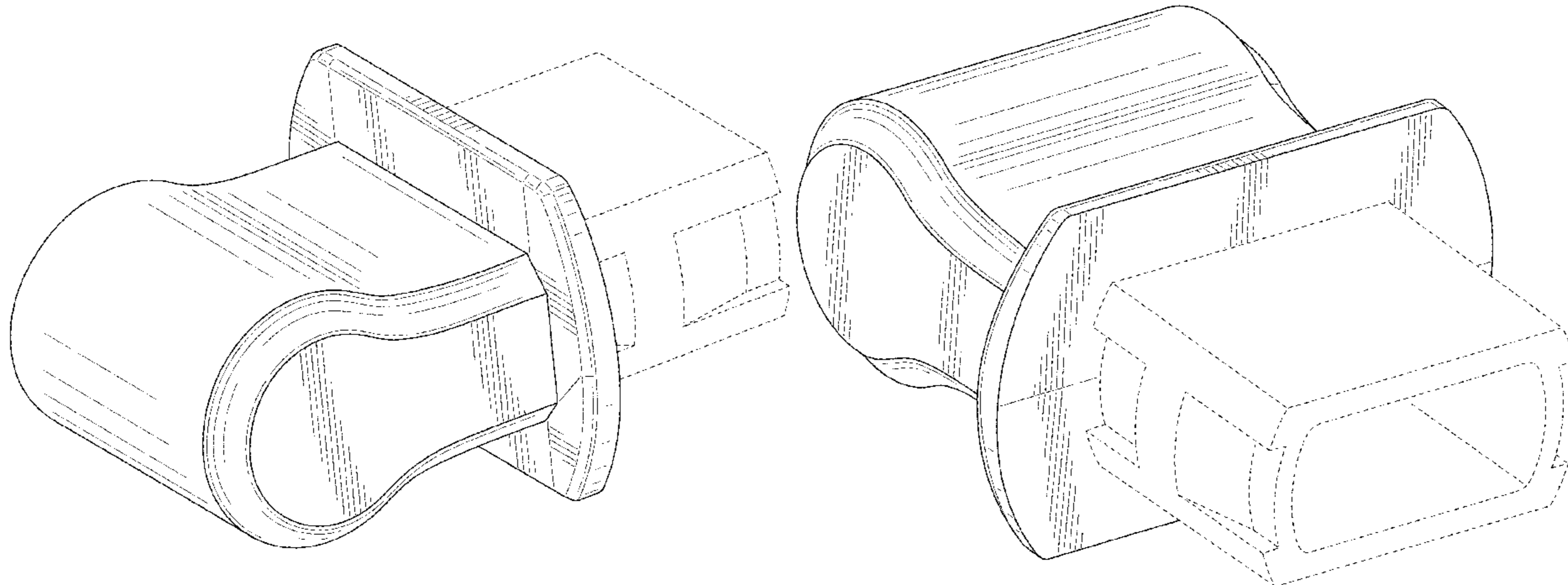
The ornamental design for a cap for an adapter, as shown and described.

DESCRIPTION

FIG. 1 is a perspective view of a cap for an adapter;
FIG. 2 is another perspective view thereof;
FIG. 3 is a front side elevation view thereof;
FIG. 4 is a back side elevation view thereof;
FIG. 5 is a top side plan view thereof;
FIG. 6 is a bottom view thereof;
FIG. 7 is a left side elevation view thereof; and,
FIG. 8 is a right side elevation view thereof.
The dash-dash broken line portion of the figure drawings is included to show portions of the article that form no part of the claimed design.

1 Claim, 7 Drawing Sheets

(56) **References Cited**
U.S. PATENT DOCUMENTS
6,227,717 B1 5/2001 Ott et al.
6,309,247 B1 10/2001 Wang
D453,323 S 2/2002 Conrad
D459,318 S 6/2002 Theuerkorn
6,398,422 B1 6/2002 Szilagyi et al.
D472,879 S 4/2003 Ouchi et al.



(56)

References Cited

U.S. PATENT DOCUMENTS

8,105,097 B2 1/2012 Thijs et al.
 D653,521 S * 2/2012 Wike D8/310
 8,244,089 B2 8/2012 Chen et al.
 8,323,042 B2 12/2012 Lin
 8,374,478 B2 2/2013 Marcouiller et al.
 D724,422 S * 3/2015 Kopco D8/382
 D772,170 S 11/2016 Watanabe et al.
 D800,072 S 10/2017 Moore
 9,804,340 B1 * 10/2017 Lin G02B 6/3821
 9,823,425 B2 11/2017 Xiao et al.
 D868,703 S 12/2019 Dejong et al.
 D868,704 S 12/2019 Dejong et al.
 D879,725 S * 3/2020 DeJong D13/156
 D883,231 S * 5/2020 DeJong D13/156
 D913,964 S * 3/2021 Smith D13/156
 D913,965 S * 3/2021 Smith D13/156
 2002/0058433 A1 5/2002 O'Malley
 2005/0220434 A1 10/2005 Hsieh
 2007/0230874 A1 10/2007 Lin
 2011/0188813 A1 8/2011 Marcouiller et al.
 2013/0071201 A1 * 3/2013 Watanabe F16B 19/10
 411/80.1

2013/0145585 A1 * 6/2013 Watanabe F16B 19/002
 24/595.1
 2014/0044396 A1 * 2/2014 Wakjira G02B 6/38
 385/77
 2018/0364422 A1 * 12/2018 Takano G02B 6/3887
 2019/0137700 A1 * 5/2019 Takano G02B 6/3885

OTHER PUBLICATIONS

Dust Cover for RJ45 Port. Date: Mar. 24, 2017 [online]. [Site visited Jul. 1, 2021]. Available from Internet URL: <https://www.amazon.co.uk/dp/B06WVLZY8X/> (Year: 2017).*

Cable Leader—USB Type A Jack Dust Cover with Handle. Date: Oct. 9, 2013. [online]. [Site visited Jul. 2, 2021]. Available from Internet URL: <https://www.amazon.com/dp/B00FQWMD98/> (Year: 2013).*

Connector caps. (Design—© Questel) orbit.com. [Online PDF compilation of references] 17 pgs. Print Dates Range Oct. 12, 2004-Jan. 20, 2016 [Retrieved Jul. 12, 2021] <https://www.orbit.com/export/UCZAH96B/pdf4/a412a8a1-98fd-46d2-8eaa-dfcec7881c11-214013.pdf> (Year: 2021).*

* cited by examiner

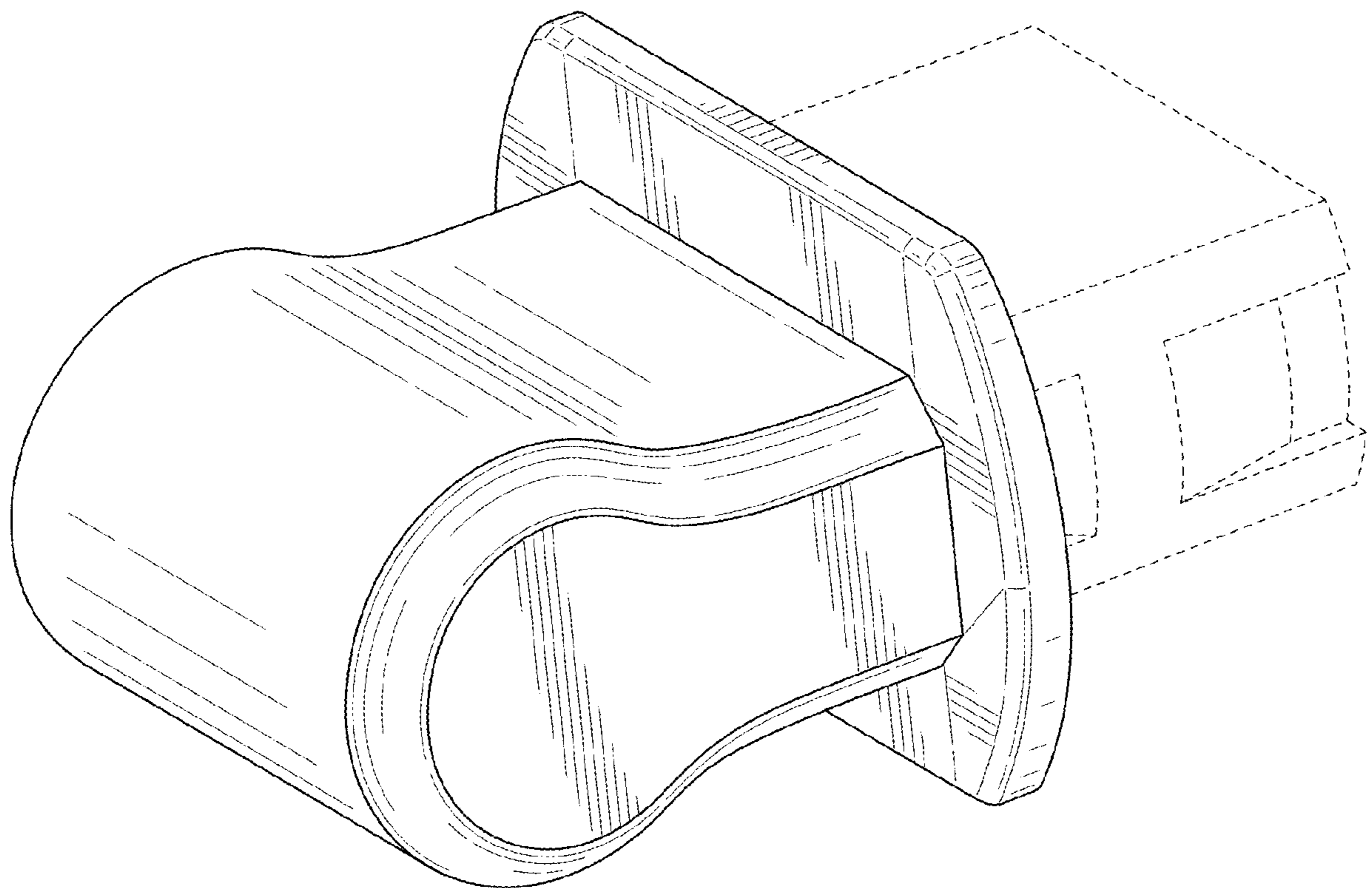


FIG. 1

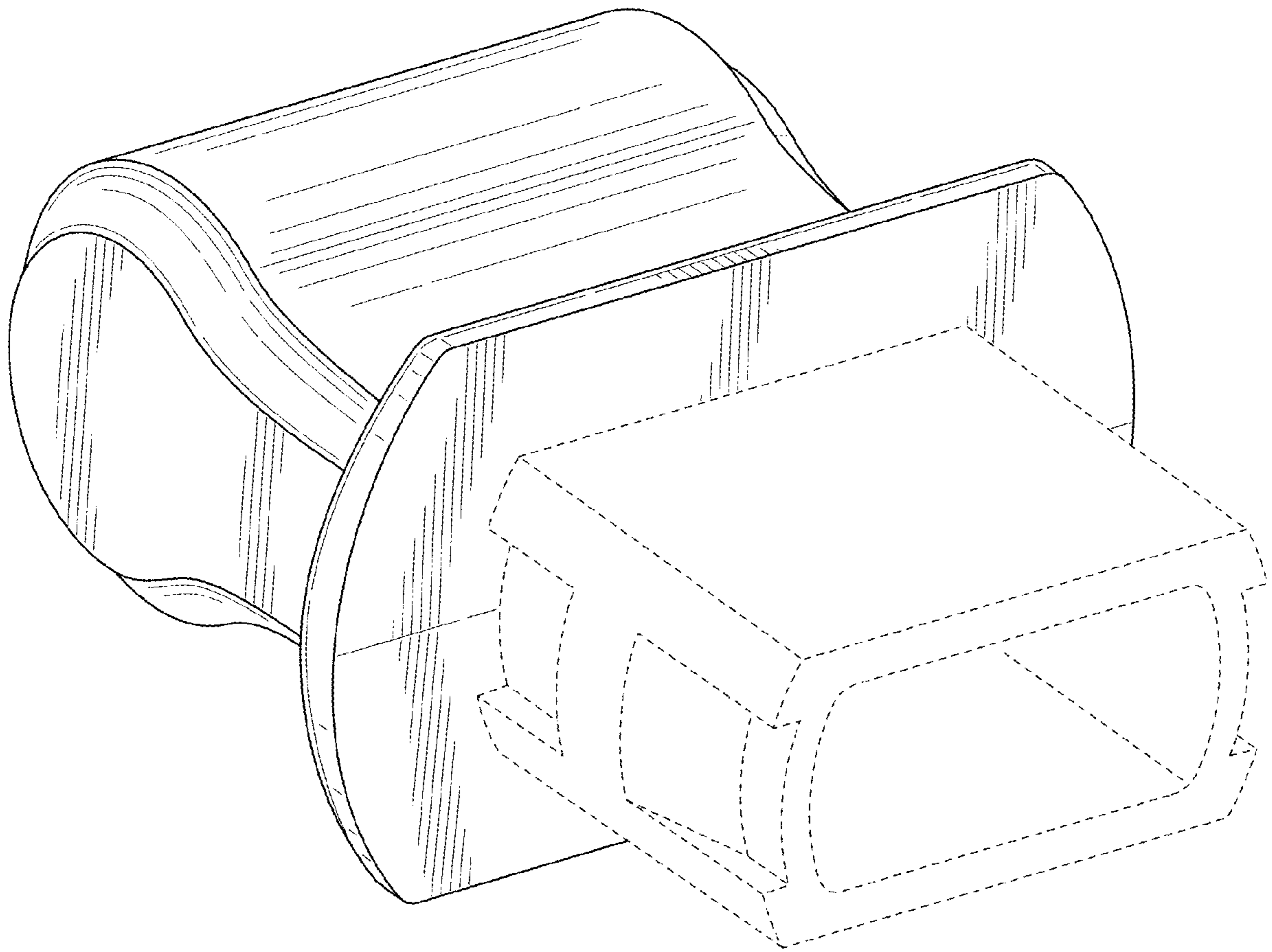


FIG. 2

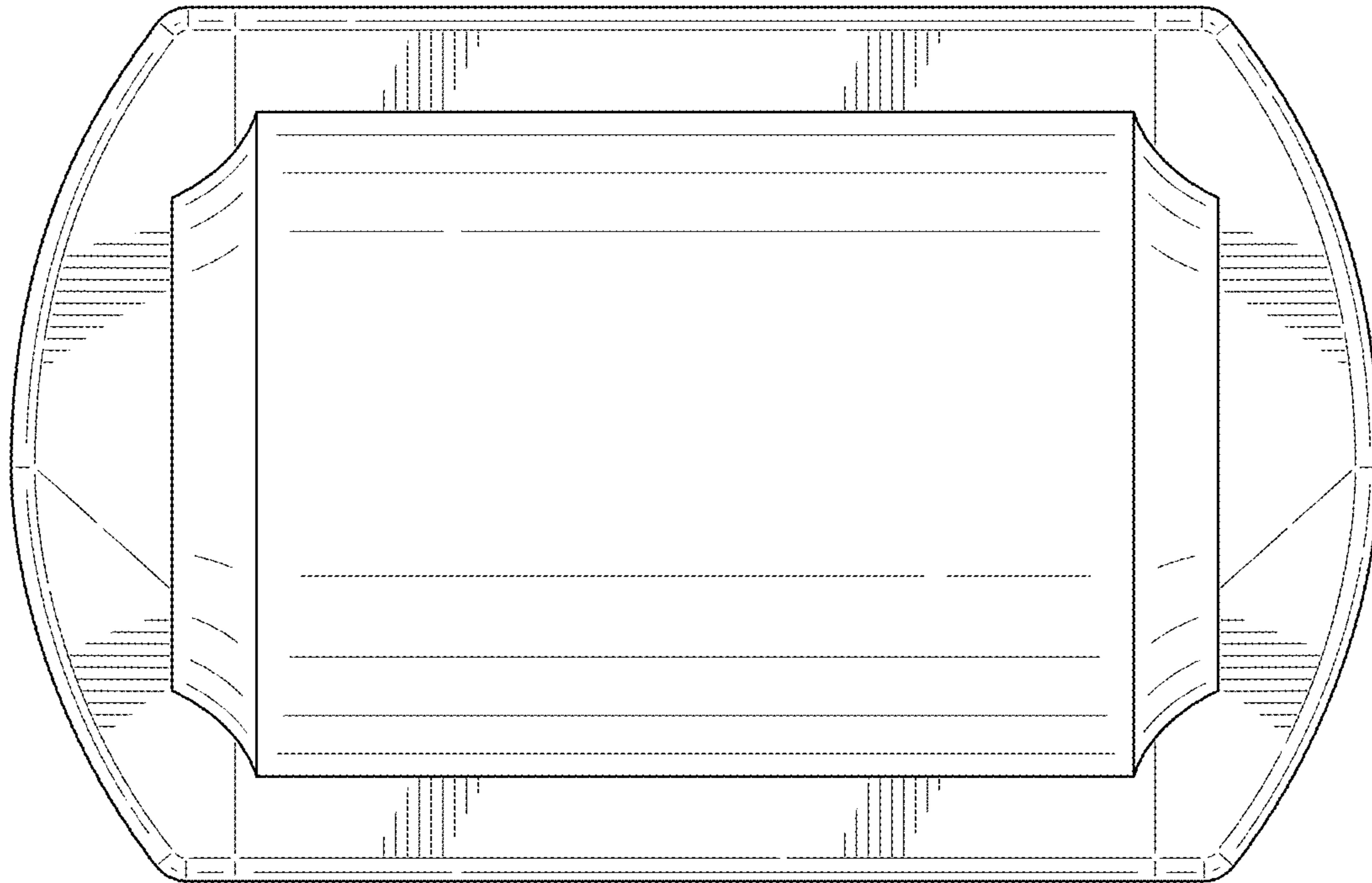


FIG. 3

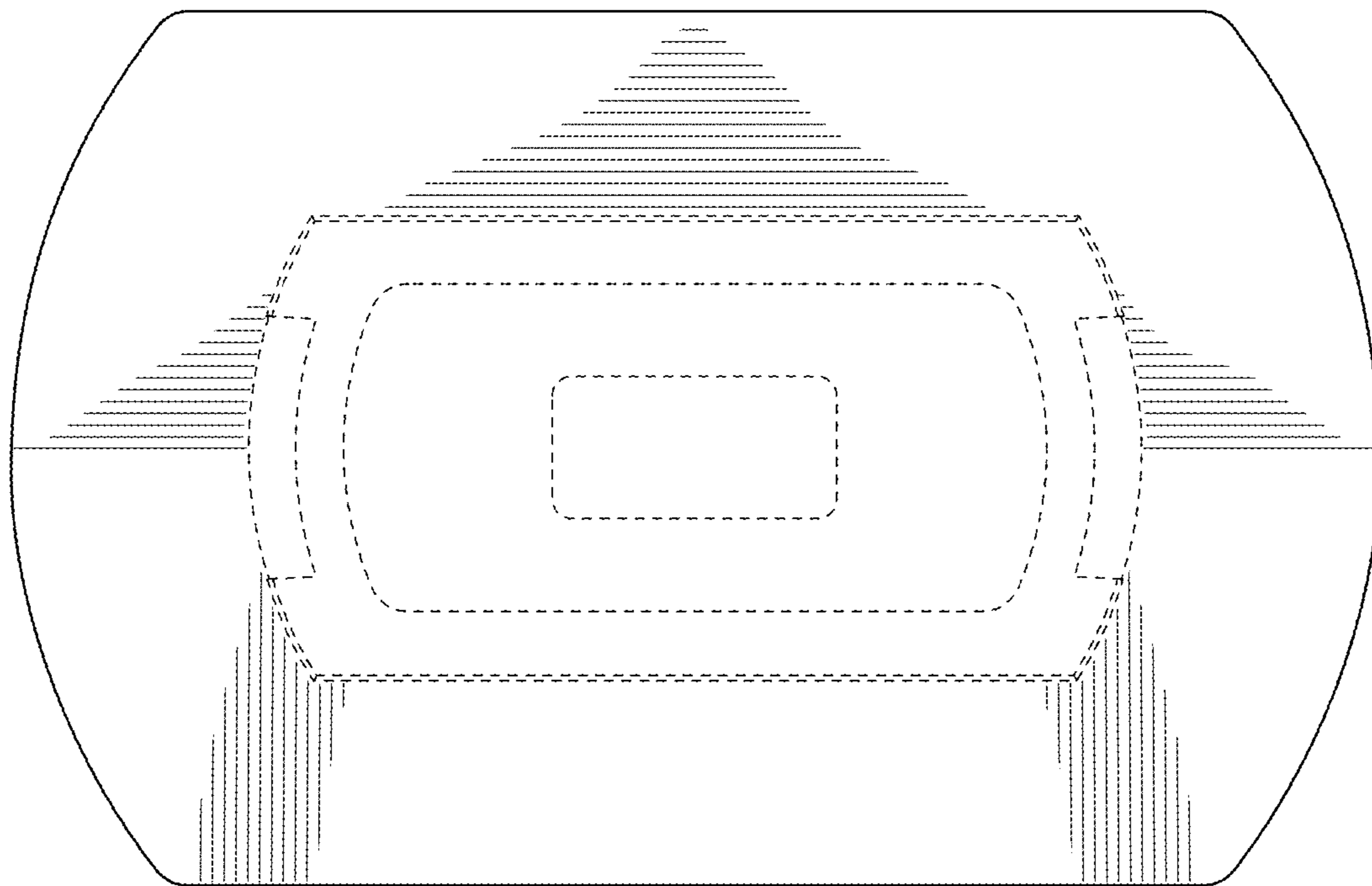


FIG. 4

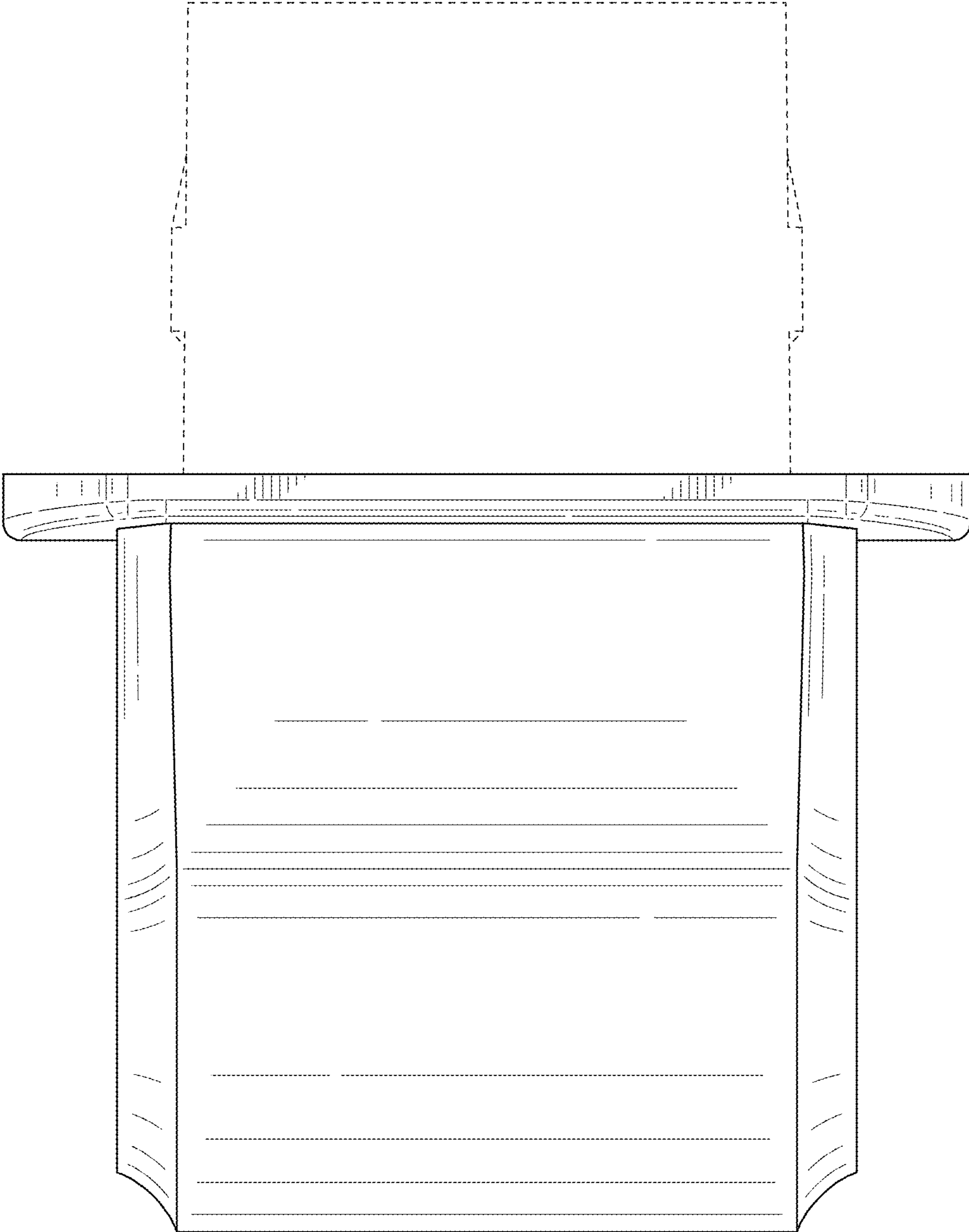


FIG. 5

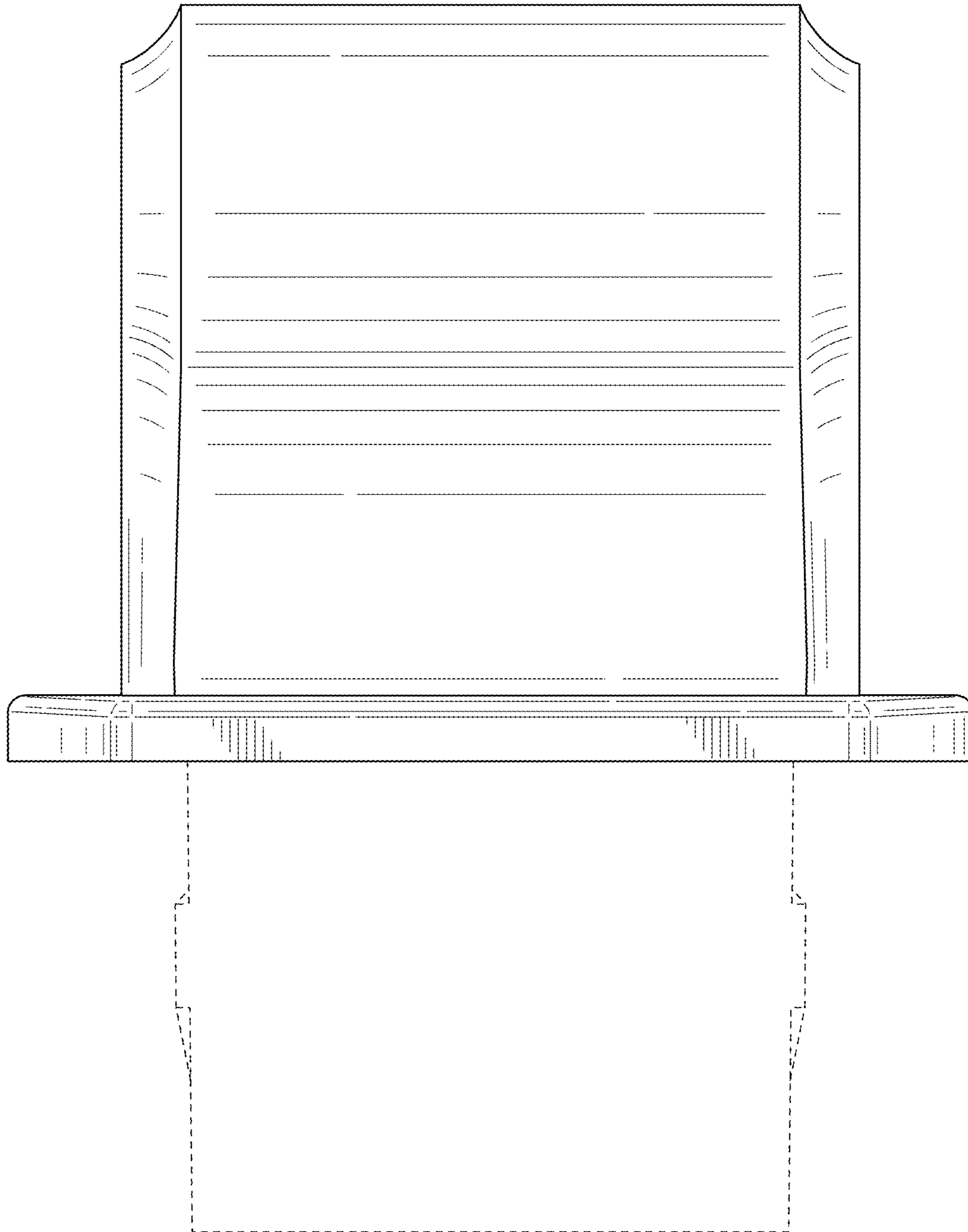


FIG. 6

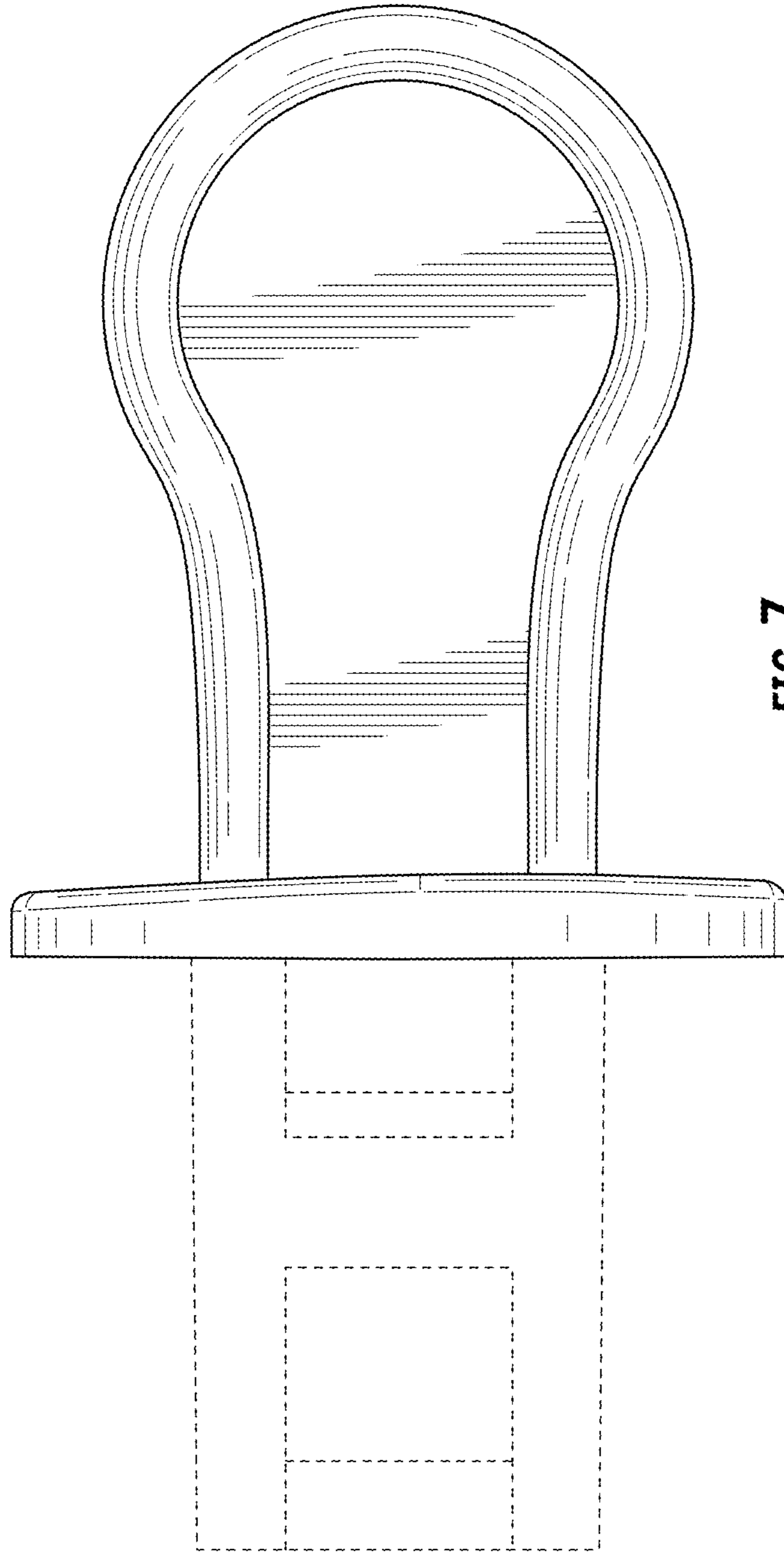


FIG. 7

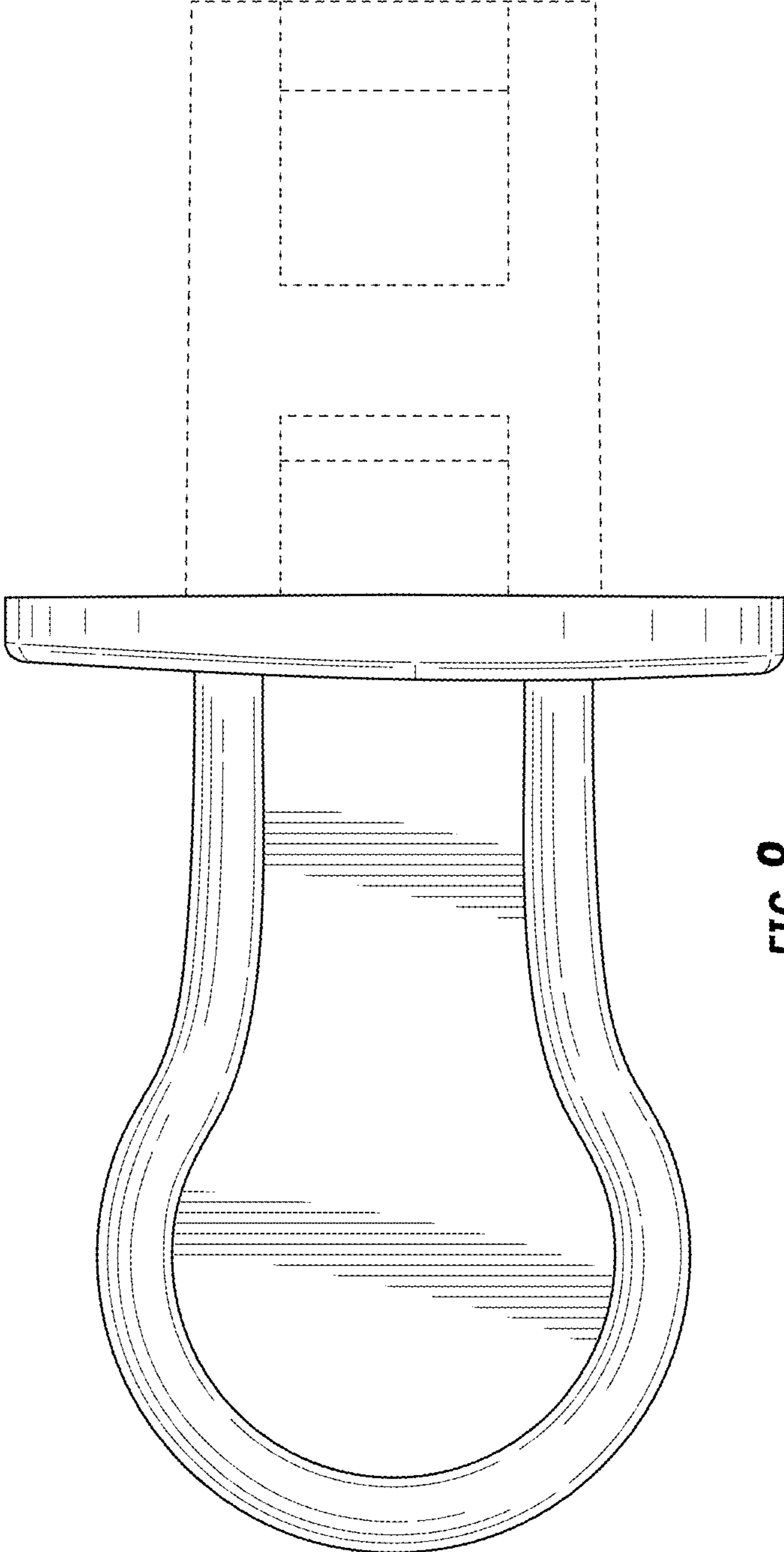


FIG. 8