



US00D942953S

(12) **United States Design Patent**
Belle et al.

(10) **Patent No.:** **US D942,953 S**

(45) **Date of Patent:** **** Feb. 8, 2022**

(54) **CONNECTOR**

(71) Applicant: **Molex, LLC**, Lisle, IL (US)

(72) Inventors: **Muttanna Belle**, Bengaluru (IN);
Sandeep Cs, Bengaluru (IN); **Harsha Thyagaraj**, Bengaluru (IN)

(73) Assignee: **Molex, LLC**, Lisle, IL (US)

(**) Term: **15 Years**

(21) Appl. No.: **29/753,336**

(22) Filed: **Sep. 30, 2020**

(51) **LOC (13) Cl.** **13-03**

(52) **U.S. Cl.**
USPC **D13/146**

(58) **Field of Classification Search**
USPC D13/101, 107, 118, 123, 133, 146, 147,
D13/149, 153–155, 173, 184, 199
CPC G02B 6/38; H01R 13/40; H01R 13/58;
H01R 13/627; H01R 24/00; H01R 31/06
See application file for complete search history.

(56) **References Cited**

U.S. PATENT DOCUMENTS

D271,196 S *	11/1983	Tetreault	D13/133
4,762,388 A *	8/1988	Tanaka	G02B 6/389 385/58
D473,844 S *	4/2003	Bender	D13/133
D474,447 S *	5/2003	Kano	D13/133
D596,125 S *	7/2009	Norin	D13/133
D639,744 S *	6/2011	Smith	D13/146
D723,467 S *	3/2015	Smith	D13/146
D724,739 S *	3/2015	London	D24/167
D746,233 S *	12/2015	Lyons	H01R 31/02 D13/137.2

D803,157 S *	11/2017	Mugan	D13/133
D915,290 S *	4/2021	Ghasabi	D13/146
D929,342 S *	8/2021	Corona	D13/146
2014/0151999 A1 *	6/2014	Imaki	F16L 37/56 285/119

FOREIGN PATENT DOCUMENTS

WO WO-9710627 A1 * 3/1997 H01R 13/6273

* cited by examiner

Primary Examiner — Shawn T Gingrich

(74) *Attorney, Agent, or Firm* — Banner & Witcoff, Ltd.

(57) **CLAIM**

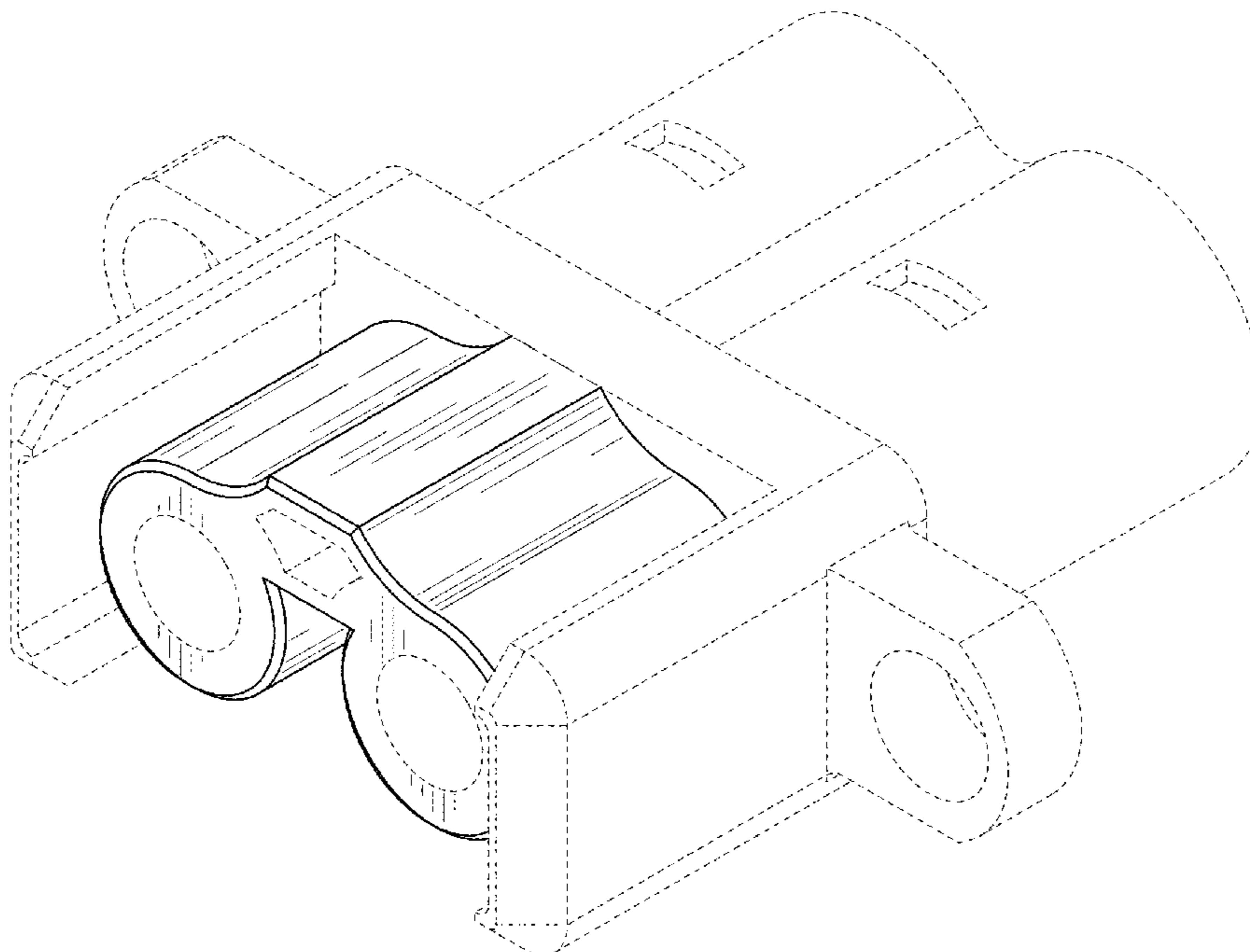
The ornamental design for a connector, as shown and described.

DESCRIPTION

FIG. 1 is a front top perspective view of a connector showing our new design;
FIG. 2 is a rear top perspective view thereof;
FIG. 3 is a front bottom perspective view thereof;
FIG. 4 is a top view thereof;
FIG. 5 is a bottom view thereof;
FIG. 6 is a right side view thereof;
FIG. 7 is a left side view thereof;
FIG. 8 is a rear view thereof; and,
FIG. 9 is a front view thereof.

The uneven-length broken lines immediately adjacent to the shaded area define the bounds of the claimed design and form no part thereof. The even-length broken lines depicting the remainder of the connector form no part of the claimed design.

1 Claim, 8 Drawing Sheets



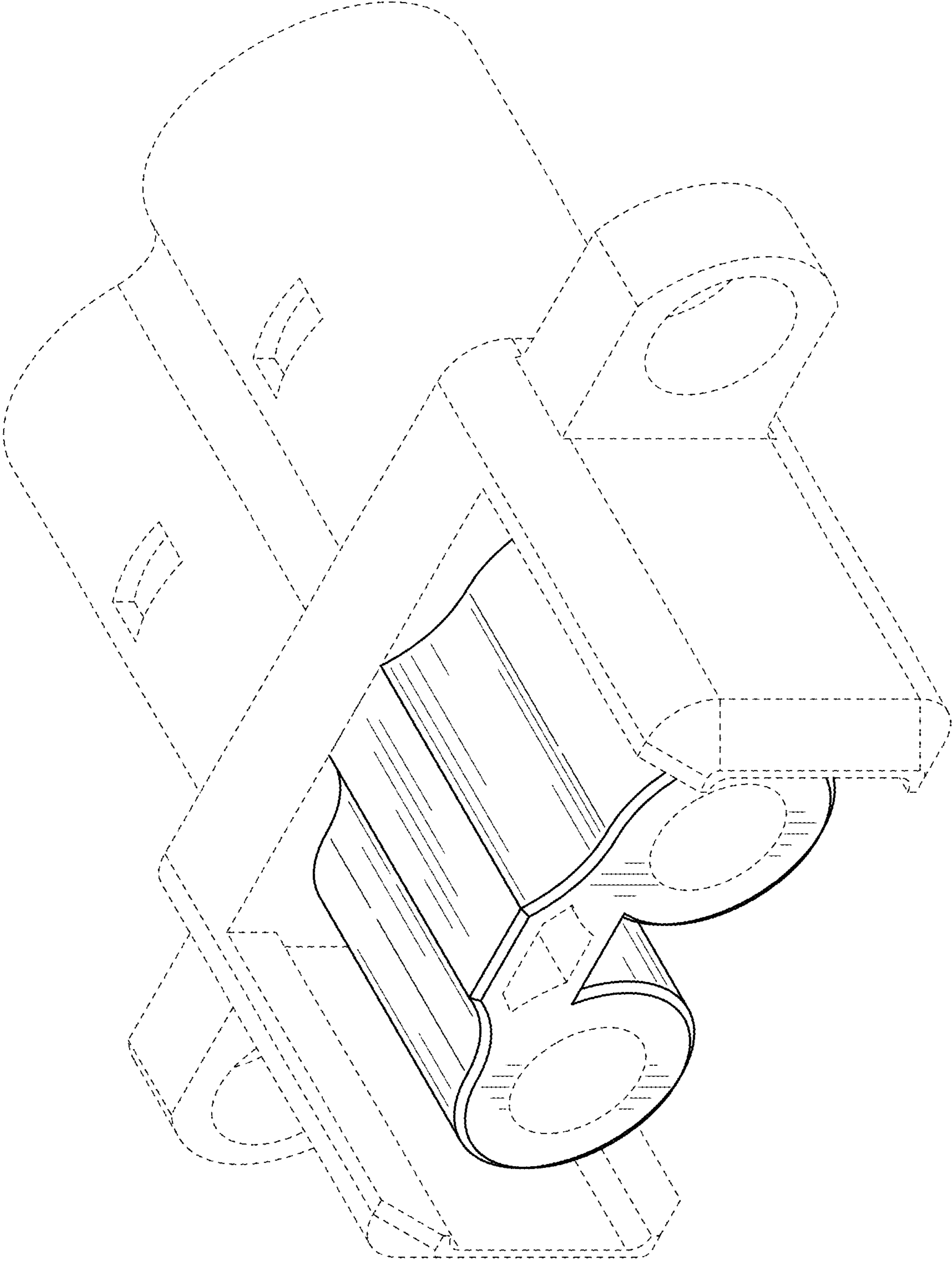


FIG. 1

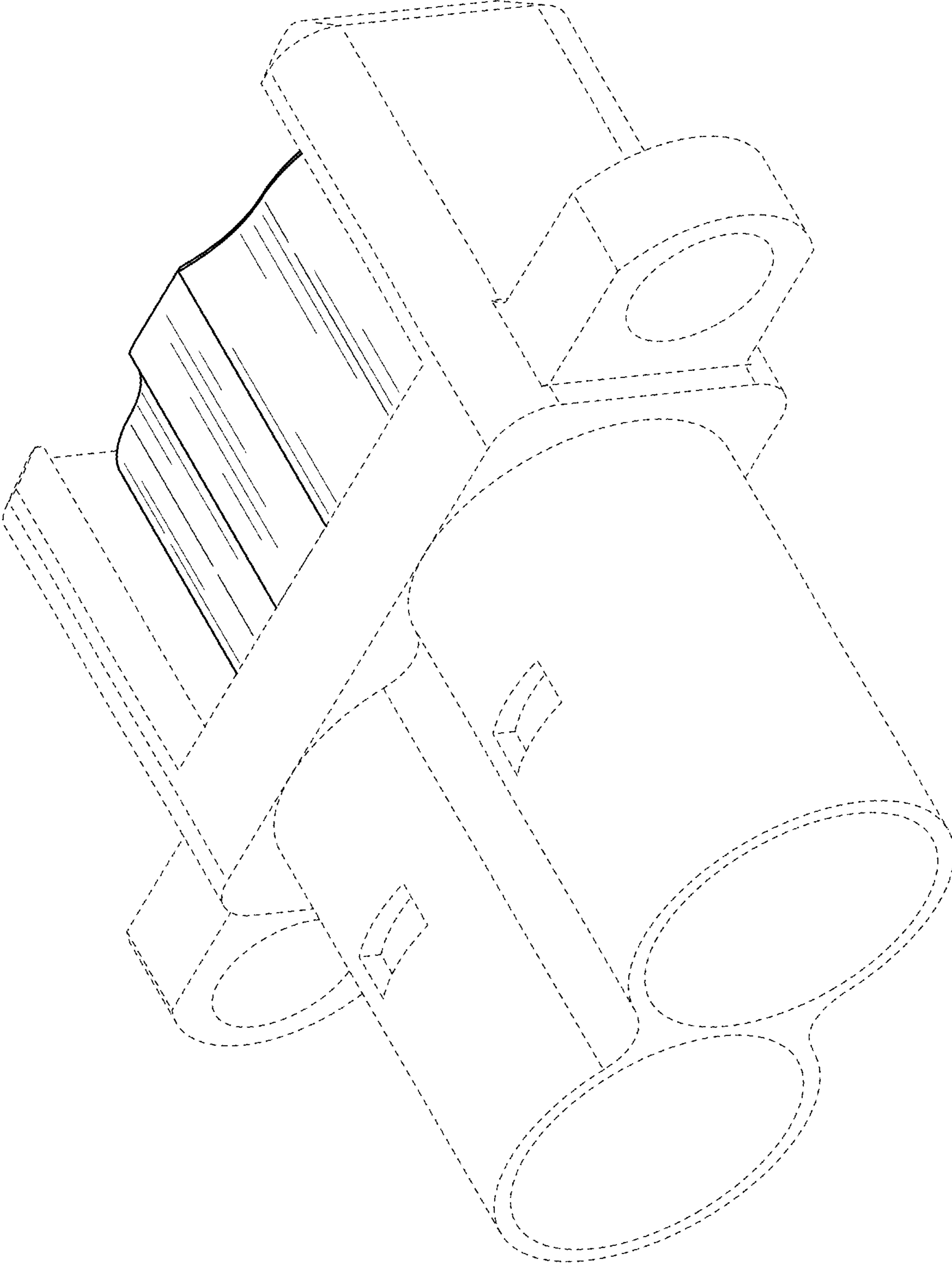


FIG. 2

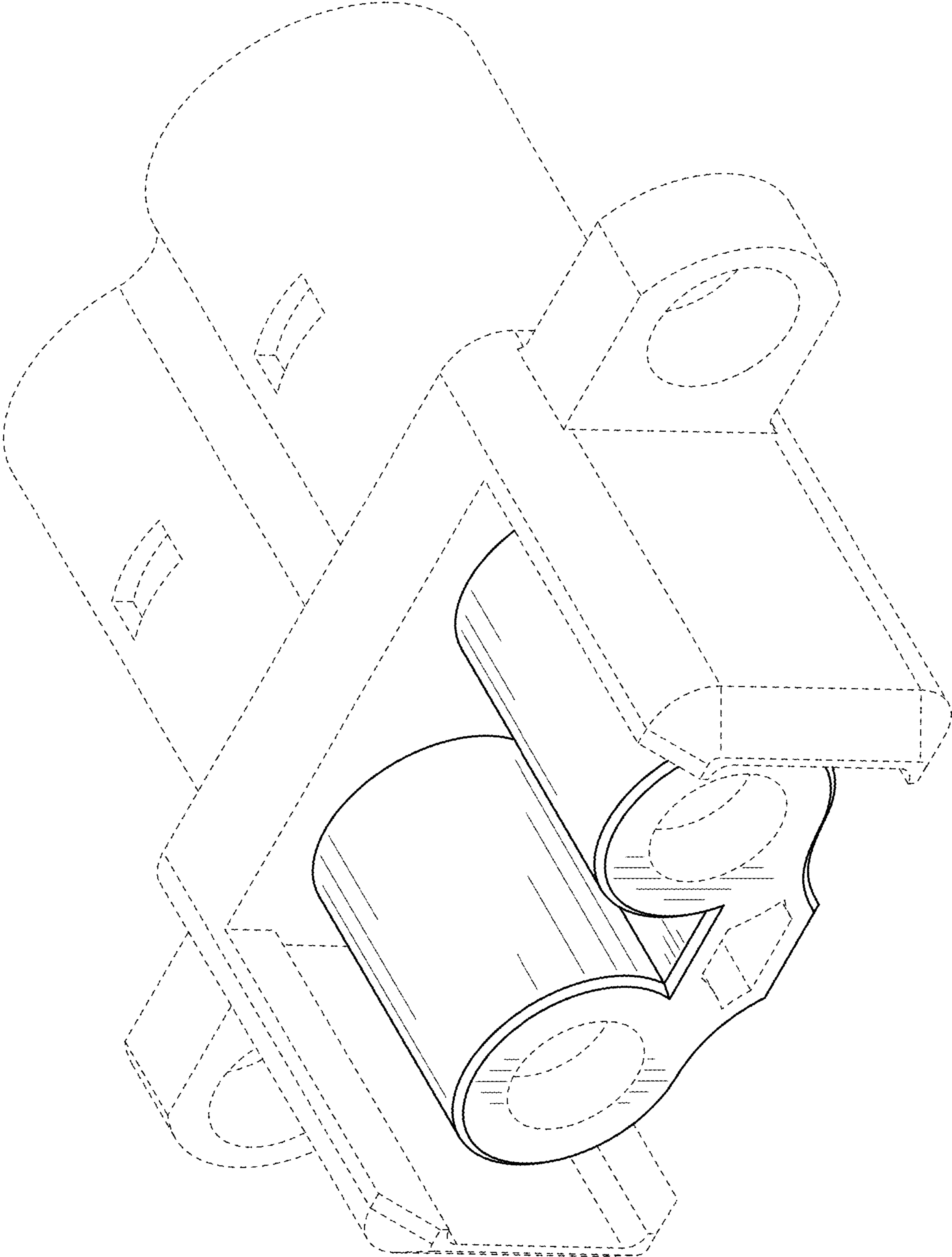


FIG. 3

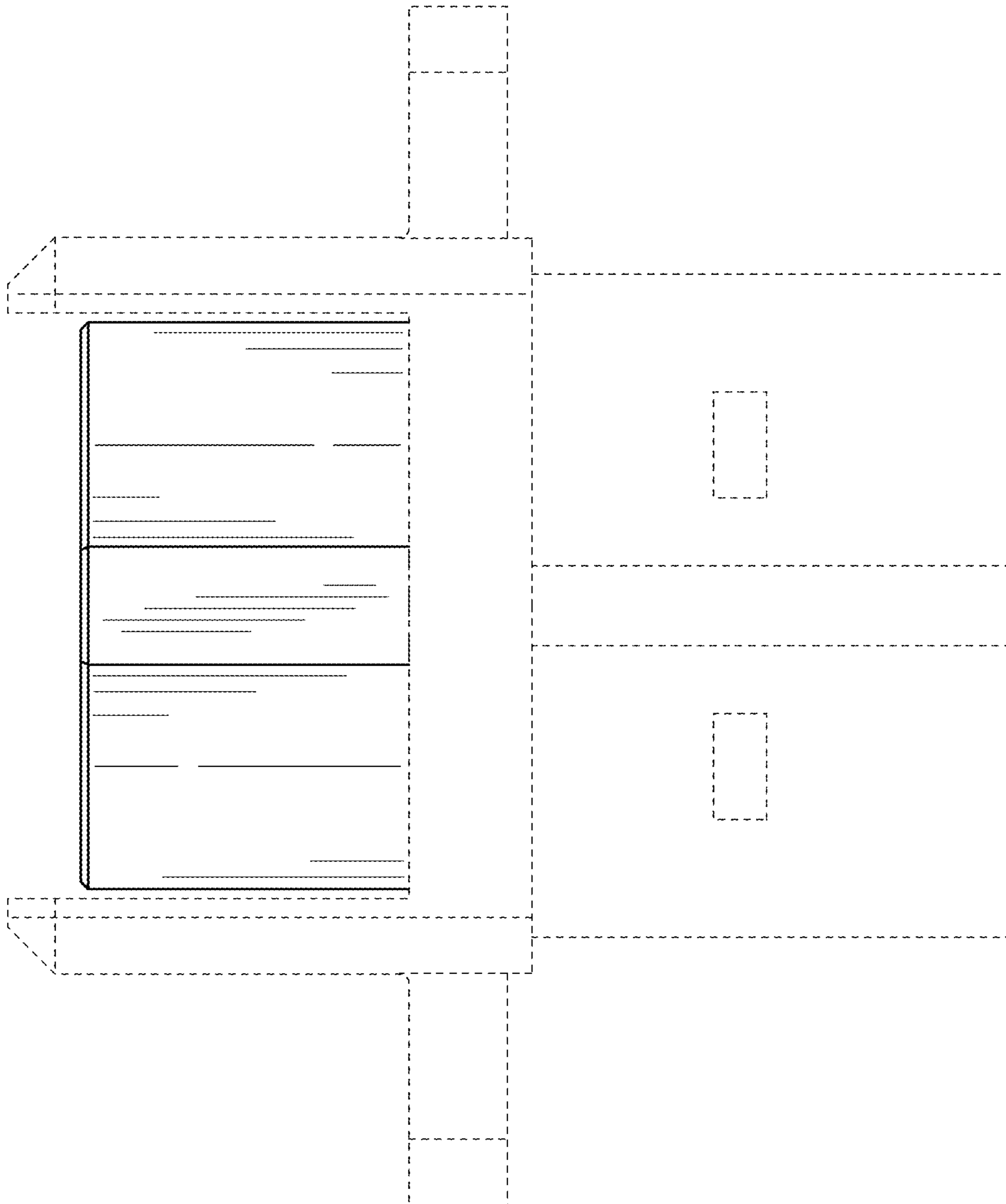


FIG. 4

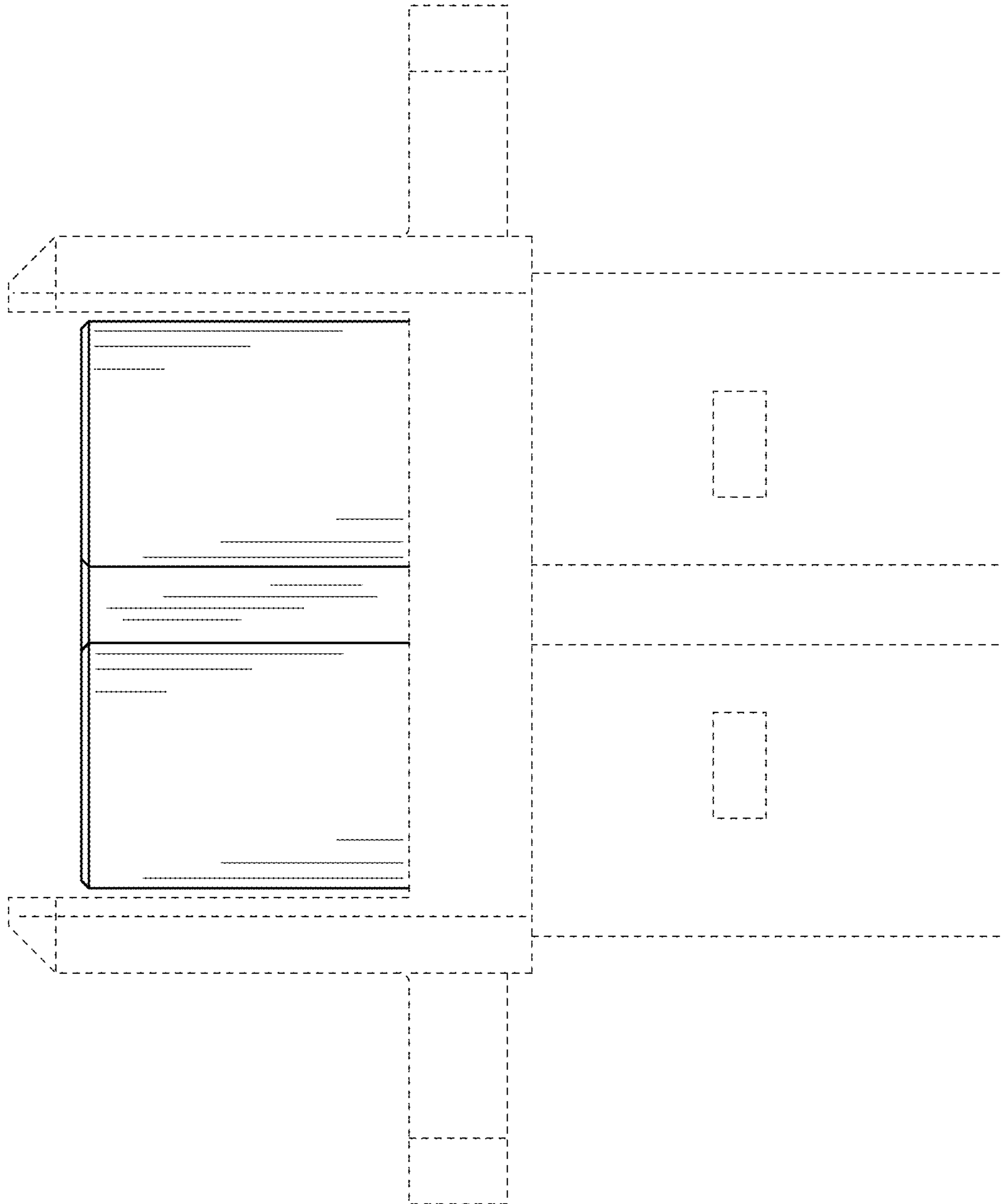


FIG. 5

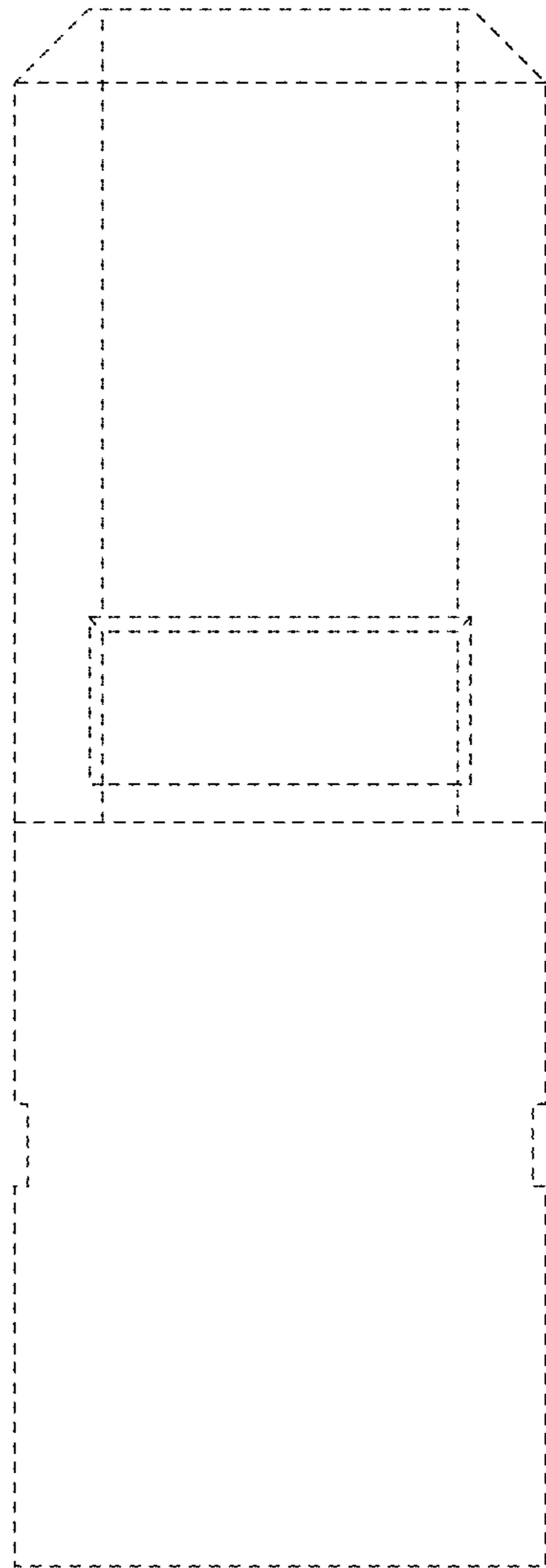


FIG. 6

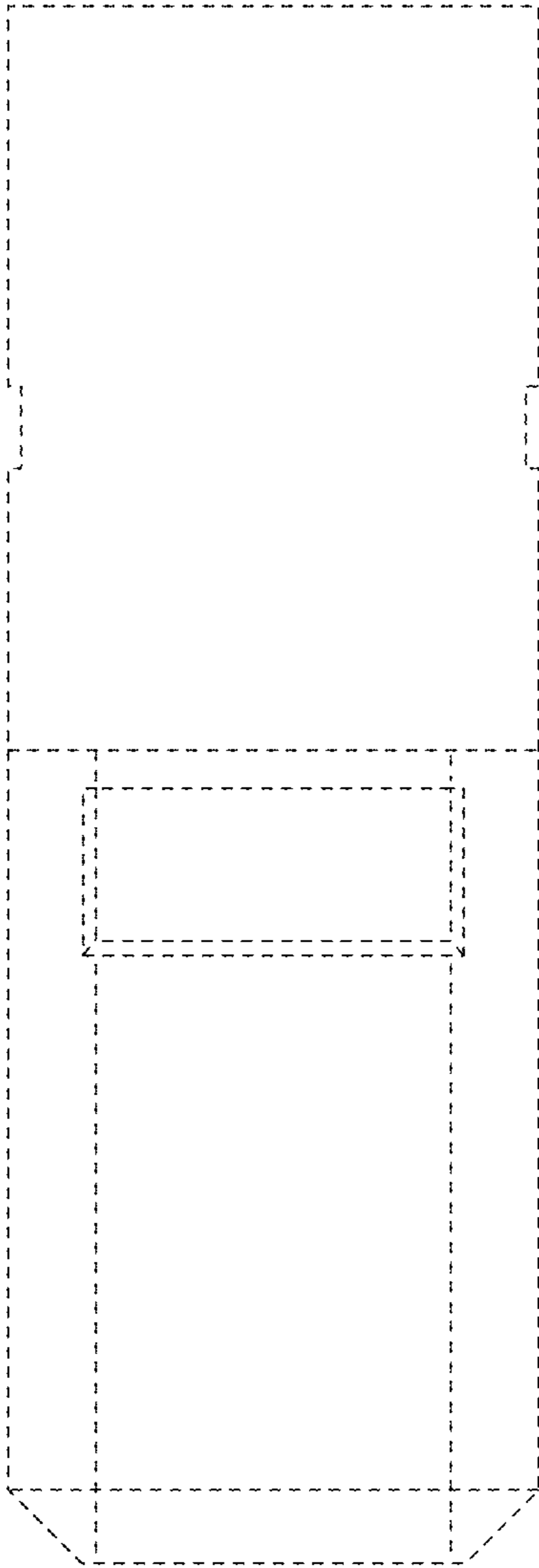


FIG. 7

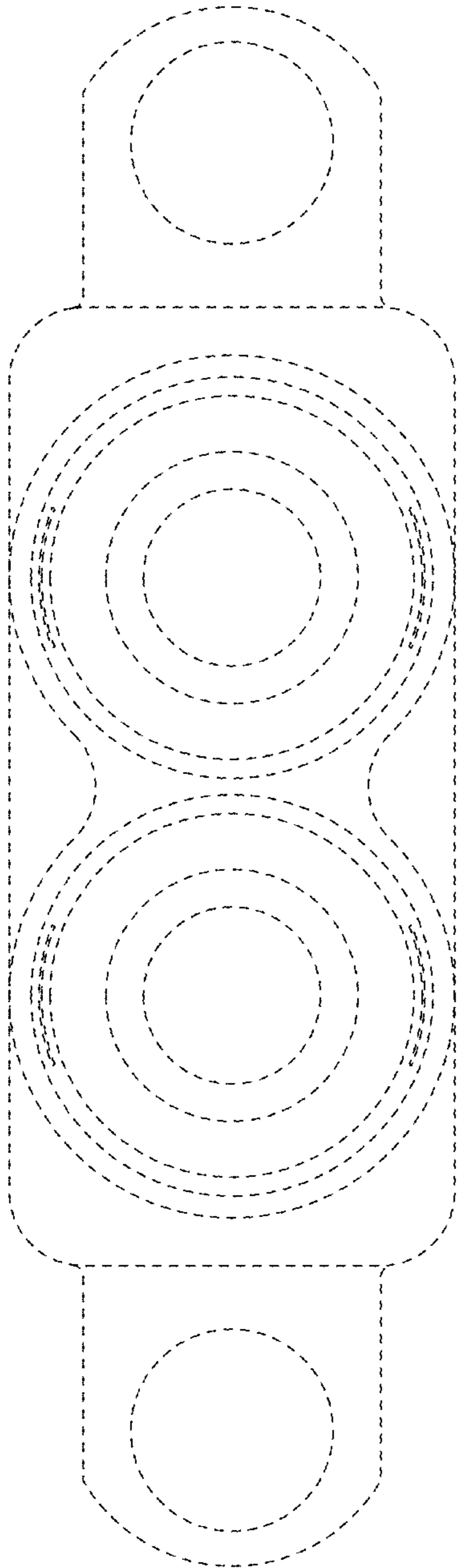


FIG. 8

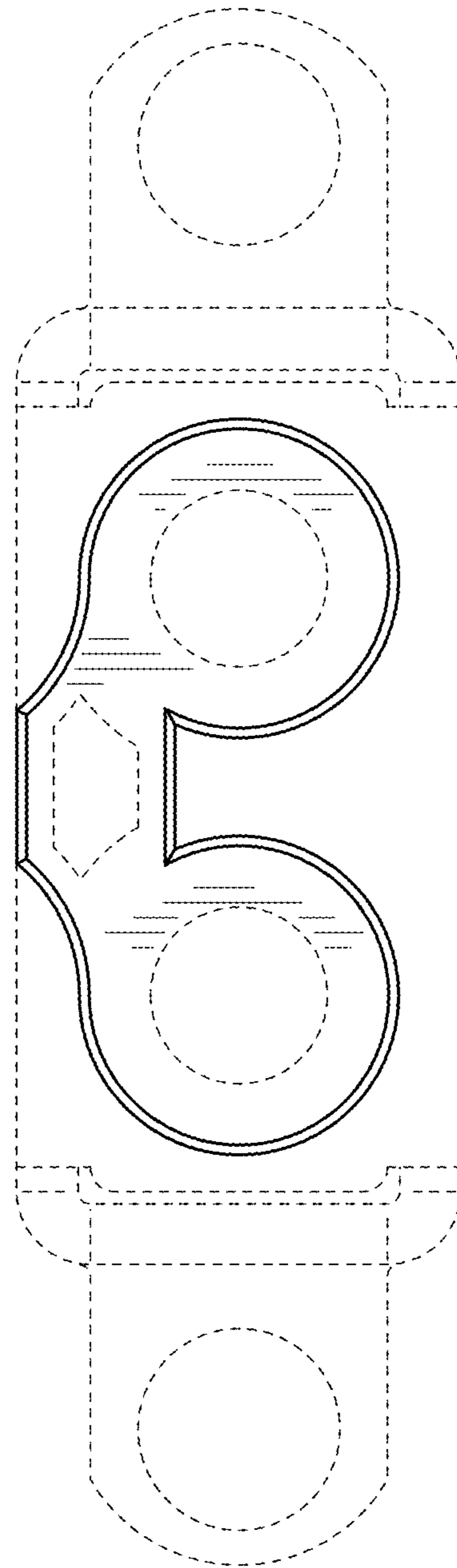


FIG. 9