



US00D942952S

(12) **United States Design Patent** (10) **Patent No.:** **US D942,952 S**
Belle et al. (45) **Date of Patent:** **** Feb. 8, 2022**

(54) **CONNECTOR**
(71) Applicant: **Molex, LLC**, Lisle, IL (US)
(72) Inventors: **Muttanna Belle**, Bengaluru (IN);
Sandeep Cs, Bengaluru (IN); **Harsha Thyagaraj**, Bengaluru (IN)
(73) Assignee: **Molex, LLC**, Lisle, IL (US)
(**) Term: **15 Years**
(21) Appl. No.: **29/753,328**
(22) Filed: **Sep. 30, 2020**
(51) **LOC (13) Cl.** **13-03**
(52) **U.S. Cl.**
USPC **D13/146**
(58) **Field of Classification Search**
USPC D13/101, 107, 118, 123, 133, 146, 147,
D13/149, 153-155, 173, 184, 199
CPC G02B 6/38; H01R 13/40; H01R 13/58;
H01R 13/627; H01R 24/00; H01R 31/06
See application file for complete search history.

D753,600 S * 4/2016 Svelnis D13/146
D803,157 S * 11/2017 Mugan D13/133
10,302,874 B2 * 5/2019 Tong G02B 6/3871
D929,342 S * 8/2021 Corona D13/146
2012/0243831 A1 * 9/2012 Chen G02B 6/3825
385/55
2014/0151999 A1 * 6/2014 Imaki F16L 37/56
285/119

FOREIGN PATENT DOCUMENTS

WO WO-9710627 A1 * 3/1997 H01R 13/6273

* cited by examiner

Primary Examiner — Shawn T Gingrich
(74) *Attorney, Agent, or Firm* — Banner & Witcoff, Ltd.

(57) **CLAIM**

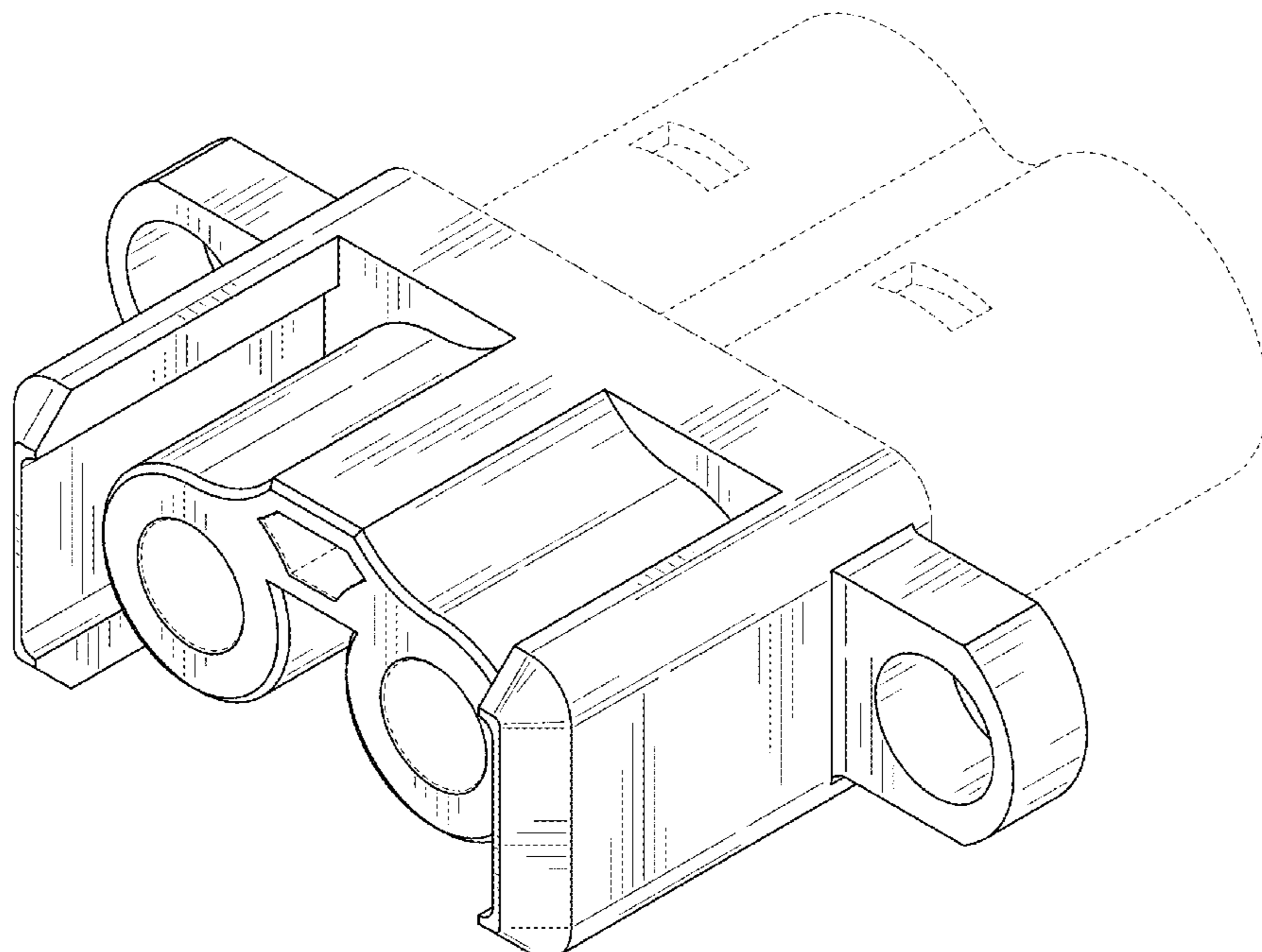
The ornamental design for a connector, as shown and described.

DESCRIPTION

FIG. 1 is a front top perspective view of a connector showing our new design;
FIG. 2 is a rear top perspective view thereof;
FIG. 3 is a front bottom perspective view thereof;
FIG. 4 is a top view thereof;
FIG. 5 is a bottom view thereof;
FIG. 6 is a right side view thereof;
FIG. 7 is a left side view thereof;
FIG. 8 is a front view thereof; and,
FIG. 9 is a rear view thereof.
The uneven-length broken lines immediately adjacent to the shaded areas define the bounds of the claimed design and form no part thereof. The even-length broken lines depicting the remainder of the connector form no part of the claimed design.

(56) **References Cited**
U.S. PATENT DOCUMENTS
4,449,776 A * 5/1984 Carmo H01R 13/6271
439/350
4,762,388 A * 8/1988 Tanaka G02B 6/389
385/58
4,923,409 A * 5/1990 Ishii H01R 13/6273
439/350
6,354,746 B1 * 3/2002 Lee G02B 6/3825
385/60
D473,844 S * 4/2003 Bender D13/133
D684,118 S * 6/2013 Yang D13/133
D748,058 S * 1/2016 Corona D13/146

1 Claim, 9 Drawing Sheets



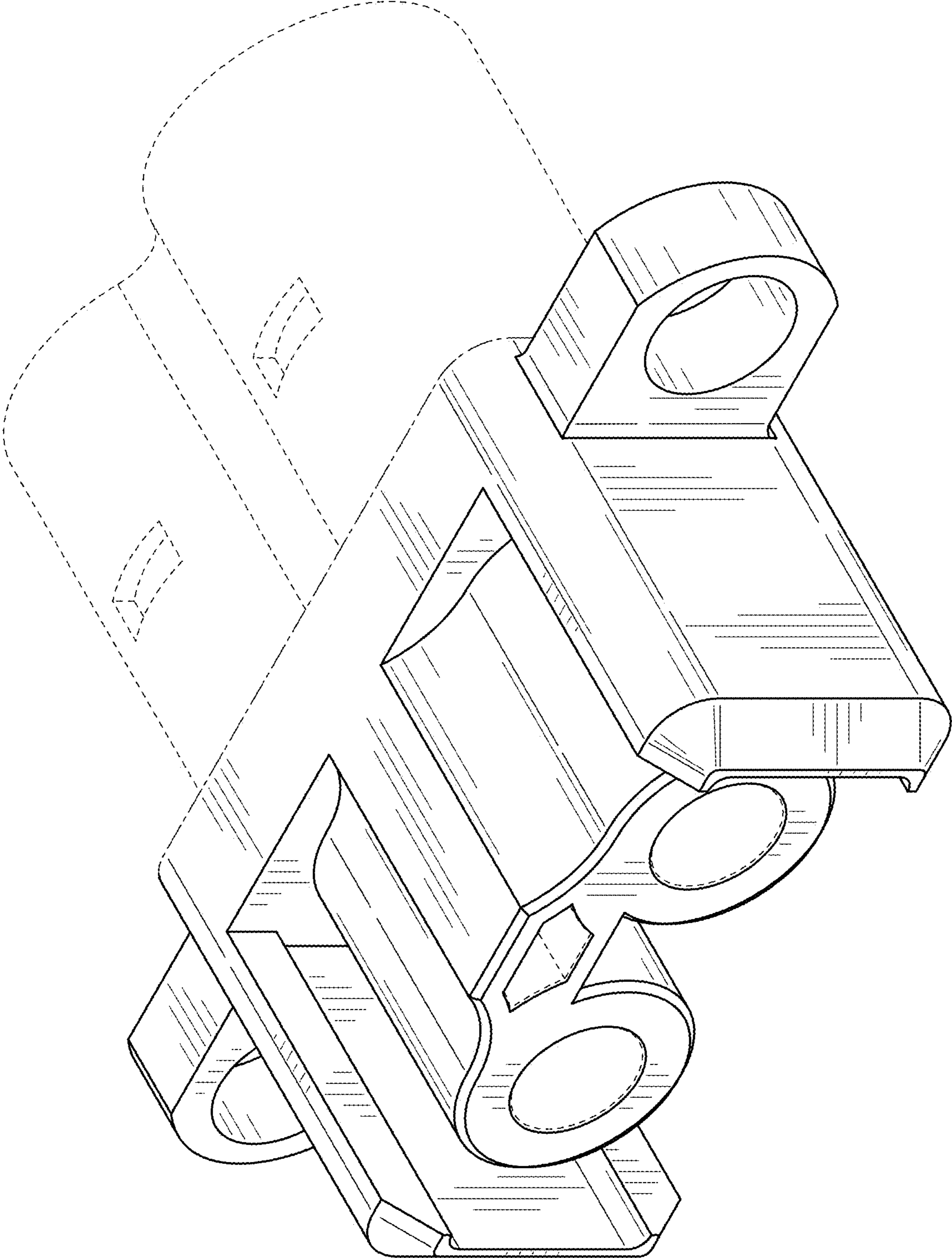


FIG. 1

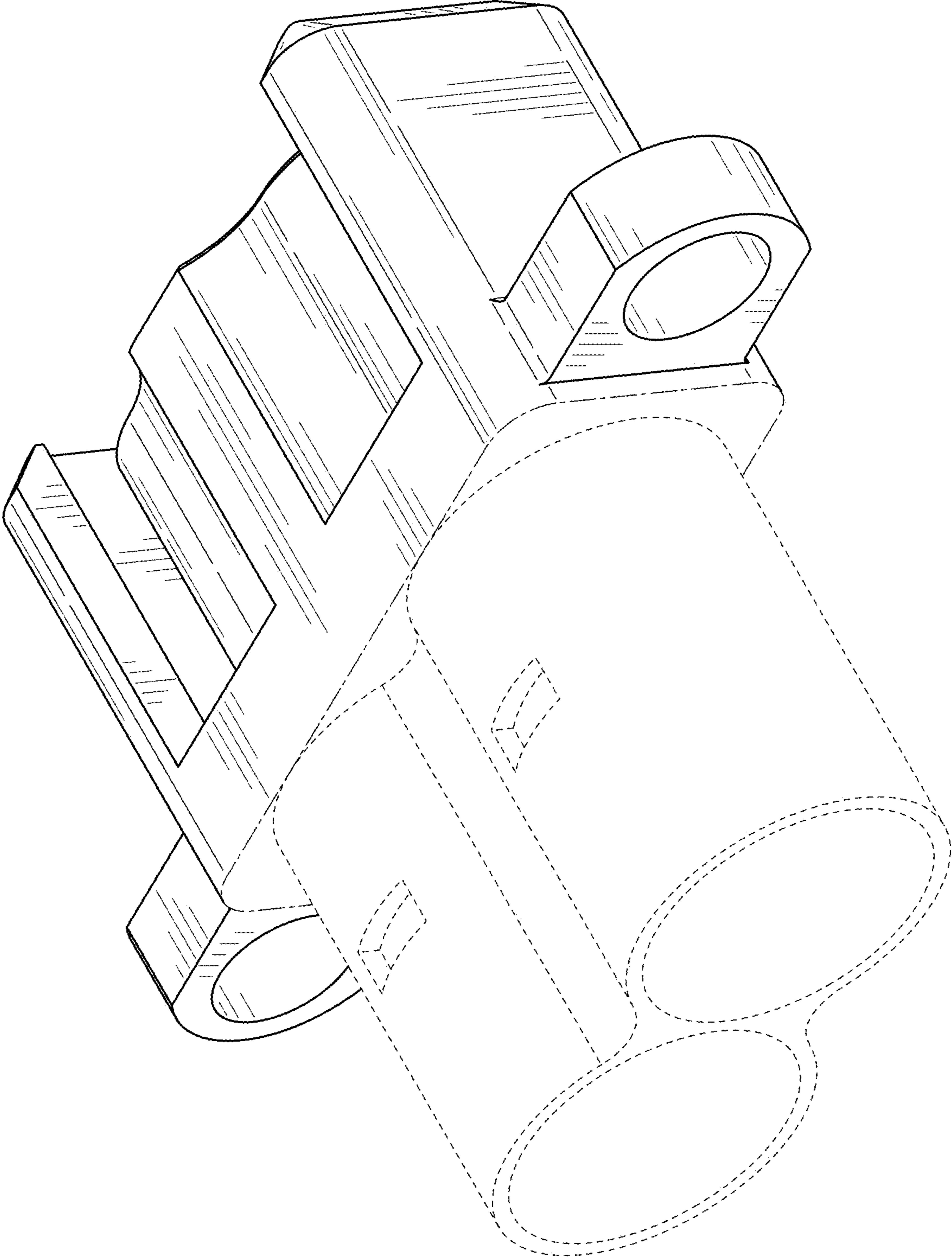


FIG. 2

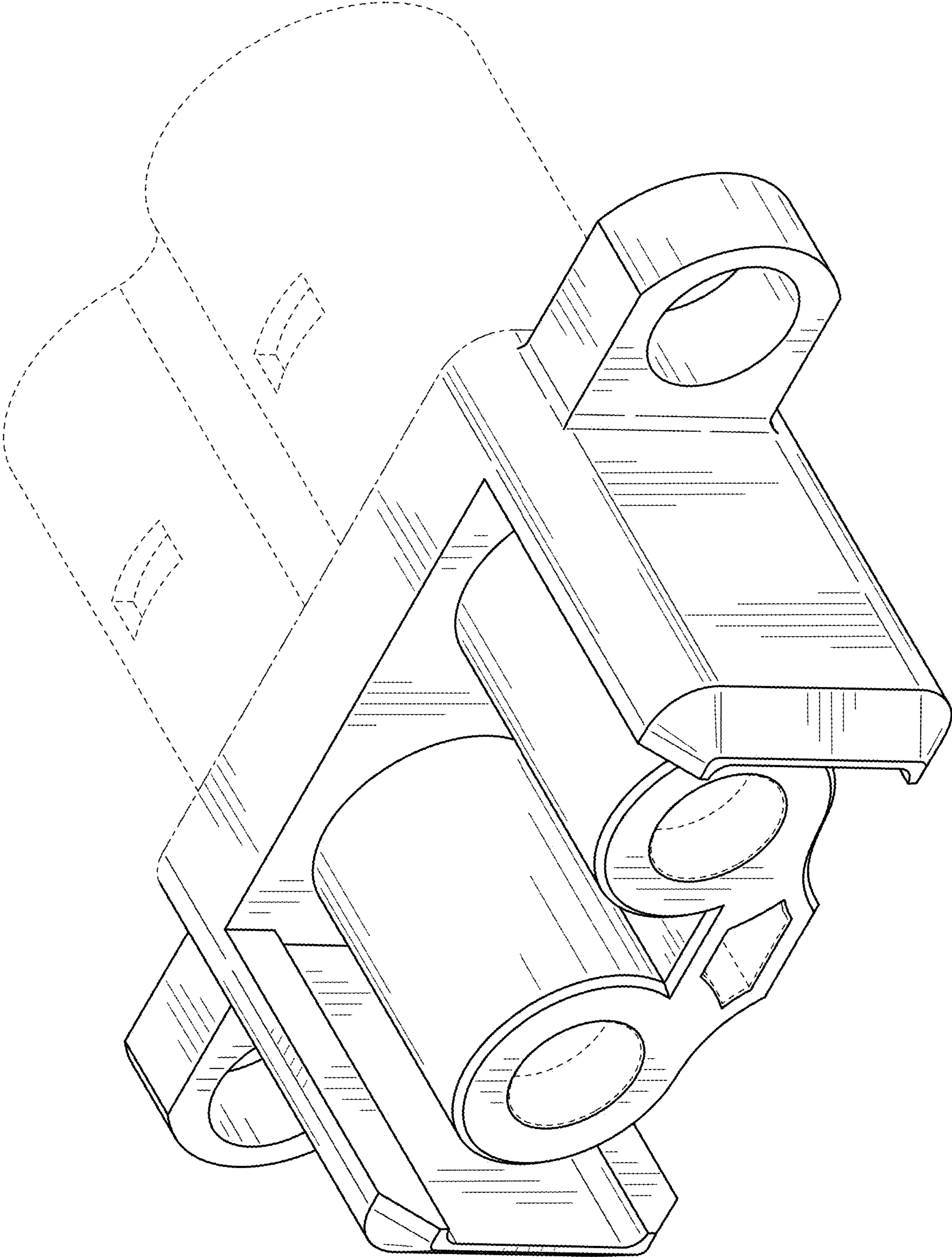


FIG. 3

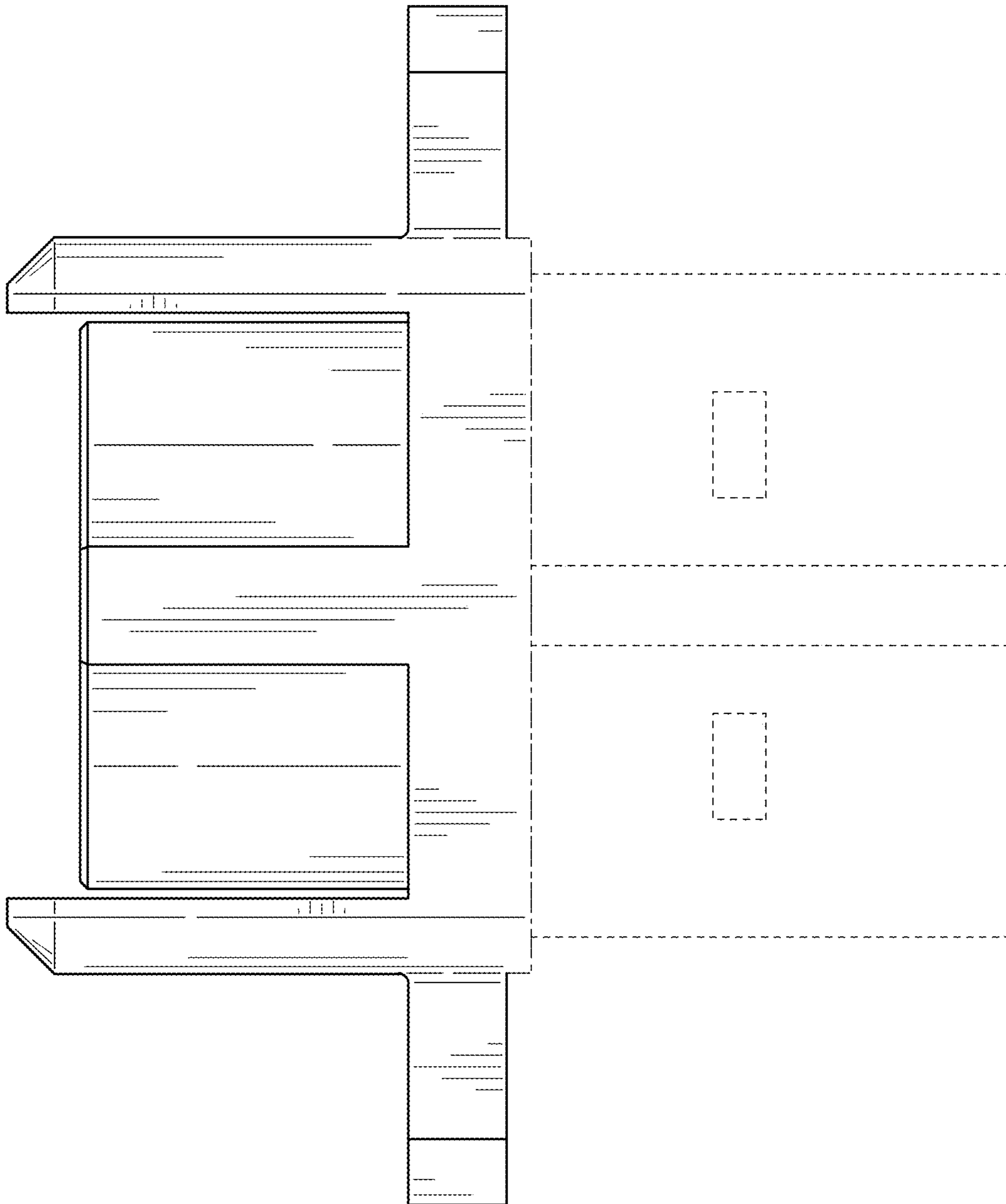


FIG. 4

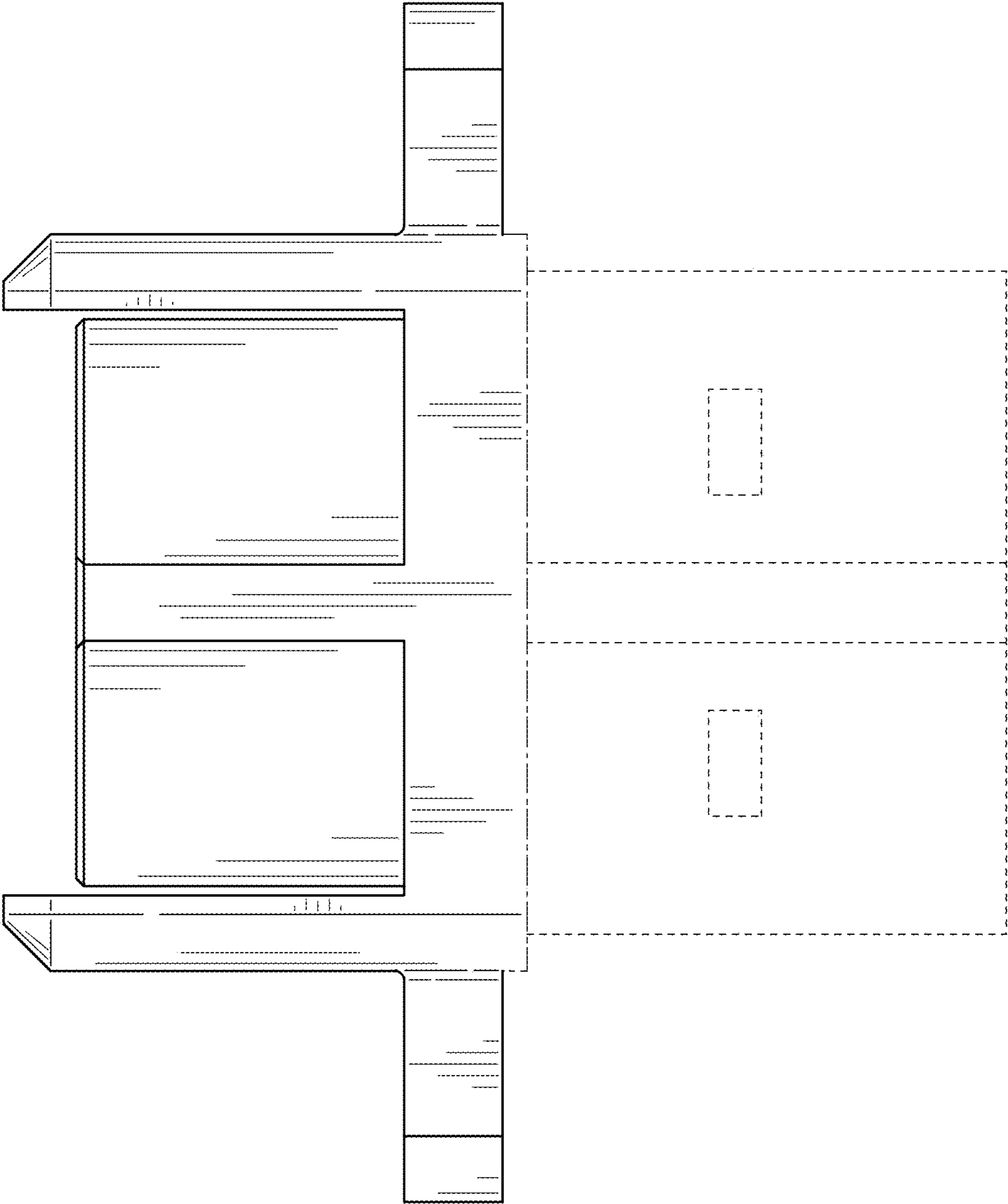


FIG. 5

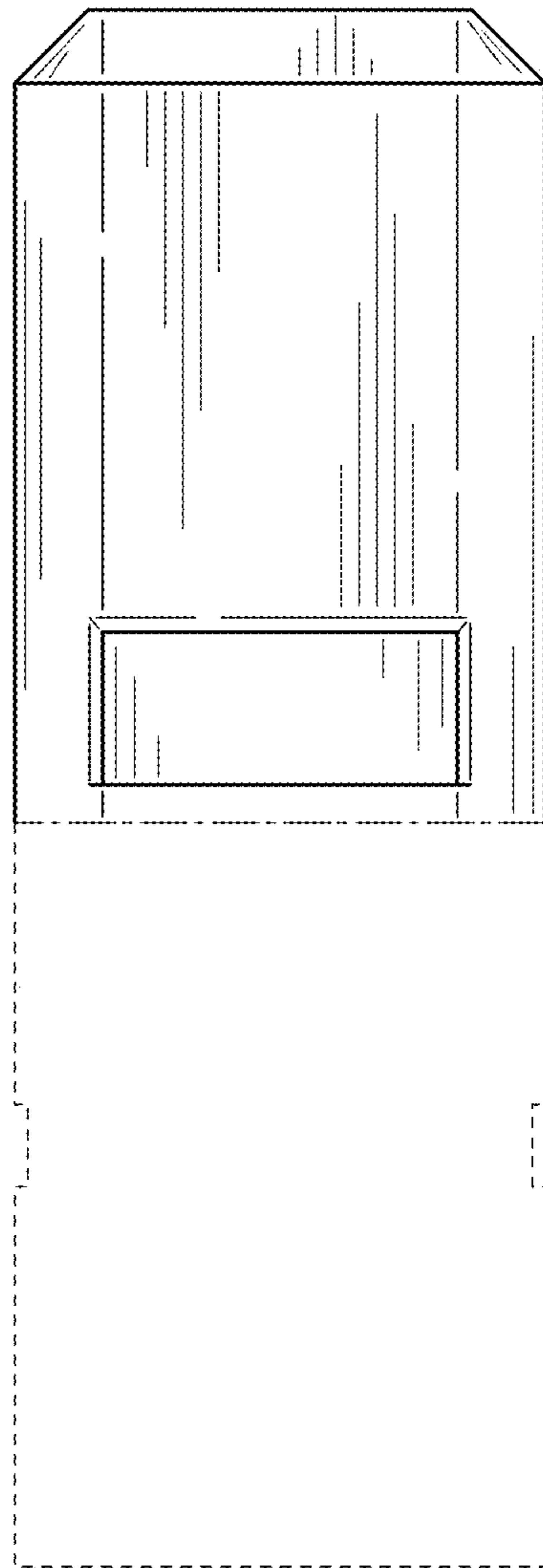


FIG. 6

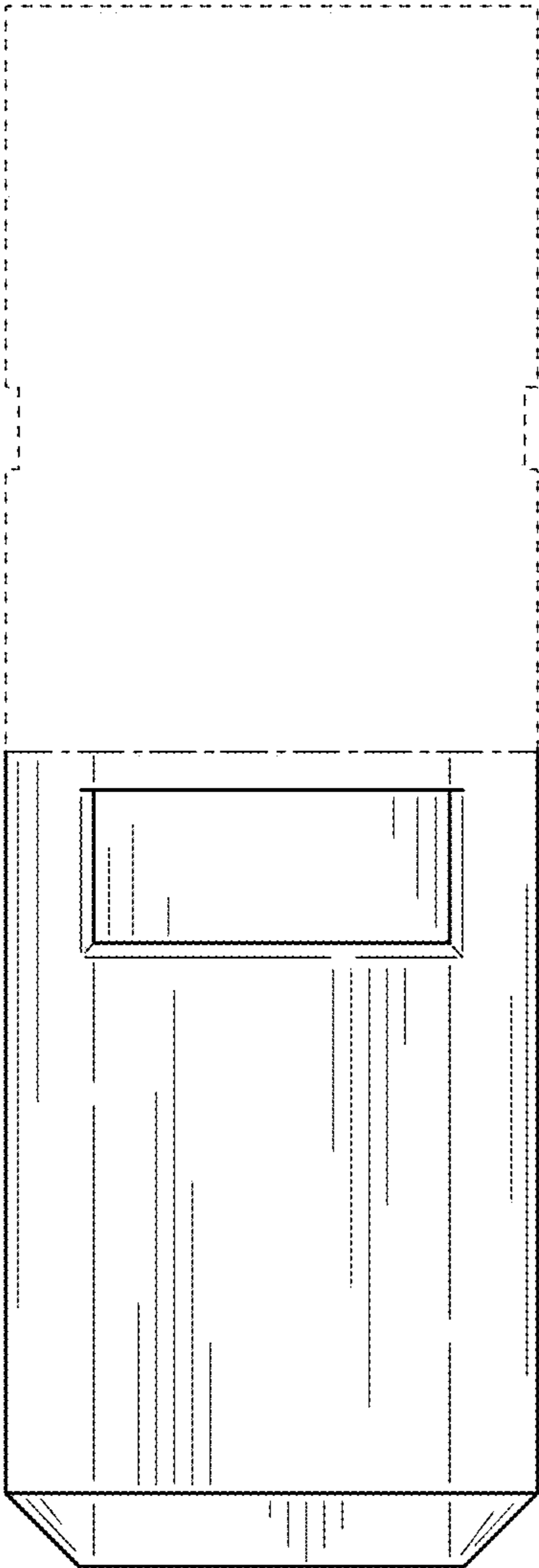


FIG. 7

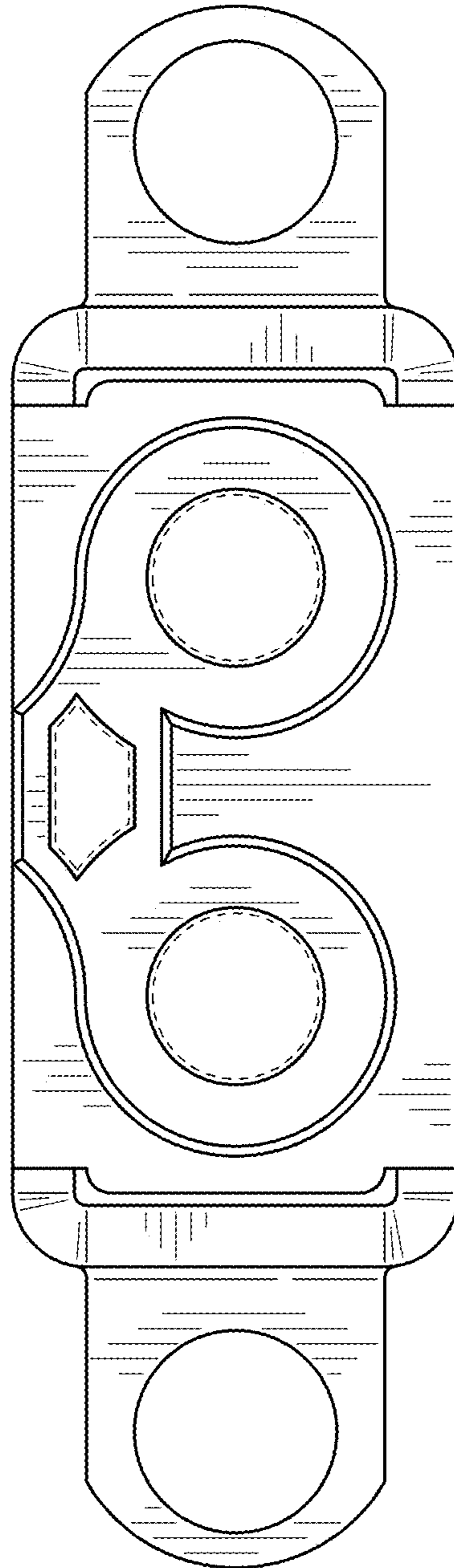


FIG. 8

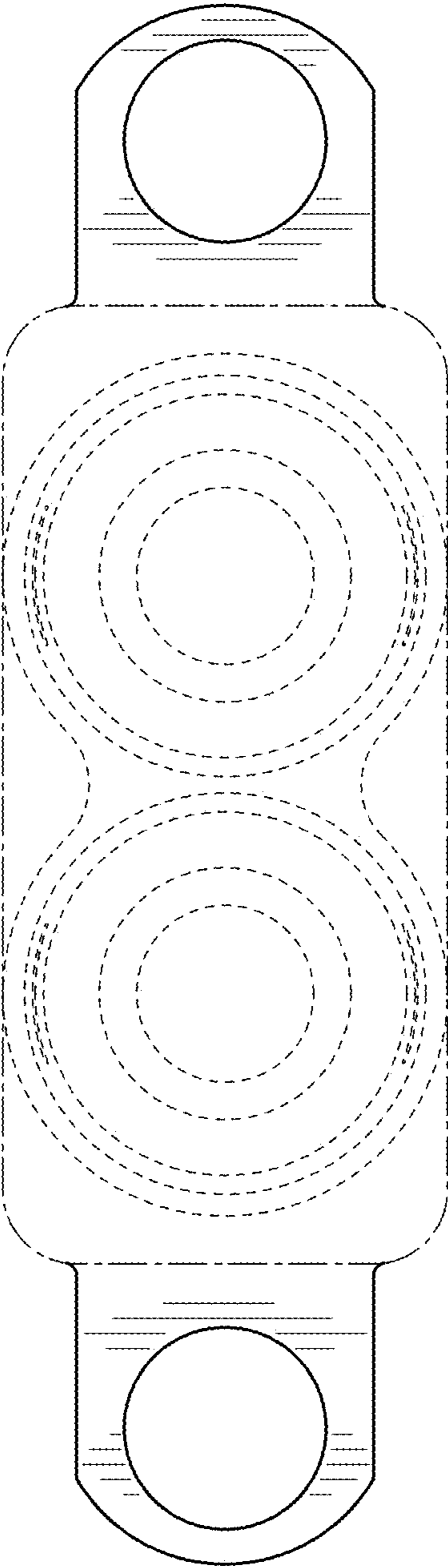


FIG. 9