



US00D942950S

(12) **United States Design Patent** (10) **Patent No.:** **US D942,950 S**
Archambault et al. (45) **Date of Patent:** **** Feb. 8, 2022**

(54) **ROLL-UP EXTENSION CORD**

(71) Applicant: **Les extensions Rollup Inc.**, Montréal (CA)

(72) Inventors: **Samuel Archambault**, Laval (CA);
Julien Croteau, Montreal (CA)

(73) Assignee: **LES EXTENSIONS ROLLUP INC.**,
Montréal (CA)

(**) Term: **15 Years**

(21) Appl. No.: **29/715,306**

(22) Filed: **Nov. 30, 2019**

(30) **Foreign Application Priority Data**

May 30, 2019 (CA) 187779

(51) **LOC (13) Cl.** **13-03**

(52) **U.S. Cl.**
USPC **D13/137.4**

(58) **Field of Classification Search**
USPC D13/153, 199, 133, 154, 146, 147, 107,
D13/108, 110, 137.1, 137.2, 137.4, 139.1,
D13/139.7; D8/356

CPC H01R 25/006; H01R 27/02; H01R 31/005;
H01R 13/7036; H01R 13/5812; H01R
13/642; H01R 13/5816; H01R 13/659;
H01R 13/66; H01R 13/703; H01R 13/72;
G06F 13/4022; G06F 13/382; G06F
1/1632; G06F 1/1684; G06F 1/20; G06F
1/1607; H02G 3/14; H02G 11/02; F21S
4/001; F21V 27/00; F21V 33/00

See application file for complete search history.

(56) **References Cited**

U.S. PATENT DOCUMENTS

3,835,267 A * 9/1974 Sharpe H02G 11/02
191/12.4
3,983,977 A * 10/1976 Crabb B65H 75/406
191/12.4

D256,581 S * 8/1980 Bartin D13/137.4
D400,175 S * 10/1998 Okamoto D13/139.7
D487,725 S * 3/2004 Terpening D13/154
D490,693 S * 6/2004 McMillan D8/359
D504,307 S * 4/2005 Dayan D3/24
D563,207 S * 3/2008 Kawazoe D8/358

(Continued)

FOREIGN PATENT DOCUMENTS

EM 005830692-0001 * 12/2018

OTHER PUBLICATIONS

“Amazon Basics 1½ Vinyl Outdoor Extension Cord—Green, 15 Foot”, first available Jun. 11, 2019. Amazon.com [https://www.amazon.com/AmazonBasics-Vinyl-Outdoor-Extension-15-Foot/dp/B07N4MBD96/ref=sr_1_1_sspa?dchild=1&keywords=Extension+cord%E2%80%A6] (Year: 2019).*

(Continued)

Primary Examiner — Rosemary K Tarca

Assistant Examiner — Seth David Kumpf

(74) *Attorney, Agent, or Firm* — Hassan Abbas Shakir;
Shakir Law PLLC

(57) **CLAIM**

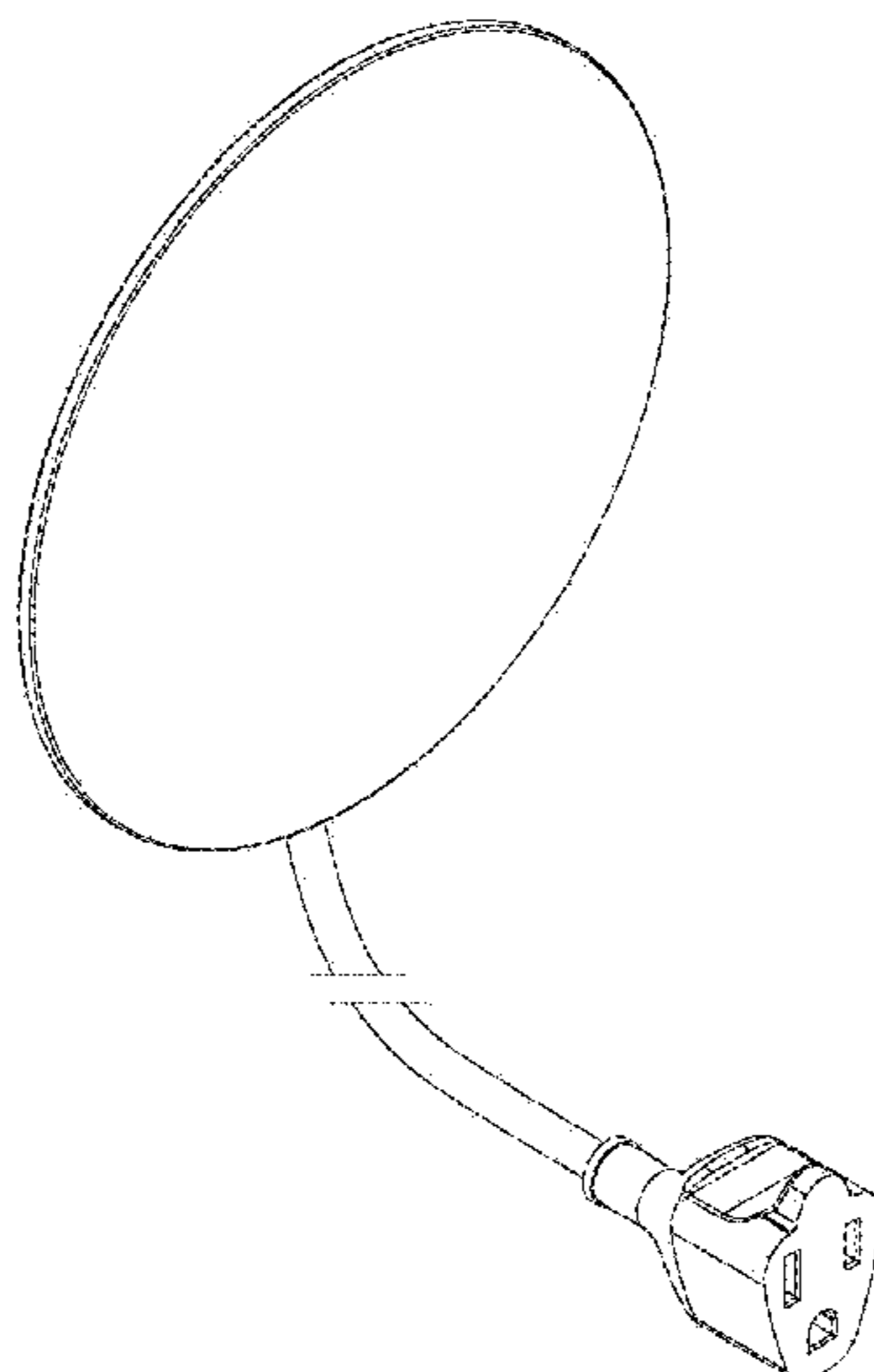
The ornamental design for a roll-up extension cord, as shown and described.

DESCRIPTION

FIG. 1 is a perspective view of a roll-up extension cord,
FIG. 2 is a front view thereof,
FIG. 3 is a rear view thereof,
FIG. 4 is a right side view thereof,
FIG. 5 is a left side view thereof,
FIG. 6 is a top view thereof; and,
FIG. 7 is a bottom view thereof.

The broken lines showing the recess on the female plug illustrate a portion of the roll-up extension cord that form no part of the claimed design.

1 Claim, 7 Drawing Sheets



(56)

References Cited

U.S. PATENT DOCUMENTS

| | | | | | | |
|----------|---|---|---------|---------|-------|------------------------|
| D624,020 | S | * | 9/2010 | Kovacik | | D13/137.4 |
| D632,258 | S | * | 2/2011 | Sumida | | D13/153 |
| D684,929 | S | * | 6/2013 | Nook | | D13/137.1 |
| D720,300 | S | * | 12/2014 | Lee | | D13/153 |
| D728,486 | S | * | 5/2015 | Lee | | D13/153 |
| D729,174 | S | * | 5/2015 | Lee | | D13/153 |
| D729,175 | S | * | 5/2015 | Lee | | D13/153 |
| D736,162 | S | * | 8/2015 | Barabas | | D13/147 |
| D736,294 | S | * | 8/2015 | Scalisi | | D16/203 |
| D768,573 | S | * | 10/2016 | Tien | | D13/147 |
| D834,685 | S | * | 11/2018 | Gerger | | D23/261 |
| D838,816 | S | * | 1/2019 | Gerger | | D23/260 |
| D840,460 | S | * | 2/2019 | Scalisi | | D16/203 |
| D848,244 | S | * | 5/2019 | Gubbins | | D8/358 |
| D850,242 | S | * | 6/2019 | Gubbins | | D8/358 |
| D850,243 | S | * | 6/2019 | Gubbins | | H02G 11/02 D8/359 |
| D851,090 | S | * | 6/2019 | Tak | | B65H 75/406 D14/433 |

OTHER PUBLICATIONS

“Monoprice 6ft 16AWG Power Extension Cord Cable—SJT 16/3C NEMA 5-15P to NEMA 5-15R (13A/125V) AP301+SP506—Black”, first available Jul. 17, 2009. Amazon.com [https://www.amazon.com/Monoprice-16AWG-Power-Extension-Cable/dp/B002HWMY9E/ref=sr_1_12?dchild=1&keywords=Extension%2Bcord&qid=162%E2%80%A6&th= (Year: 2009)].*

* cited by examiner

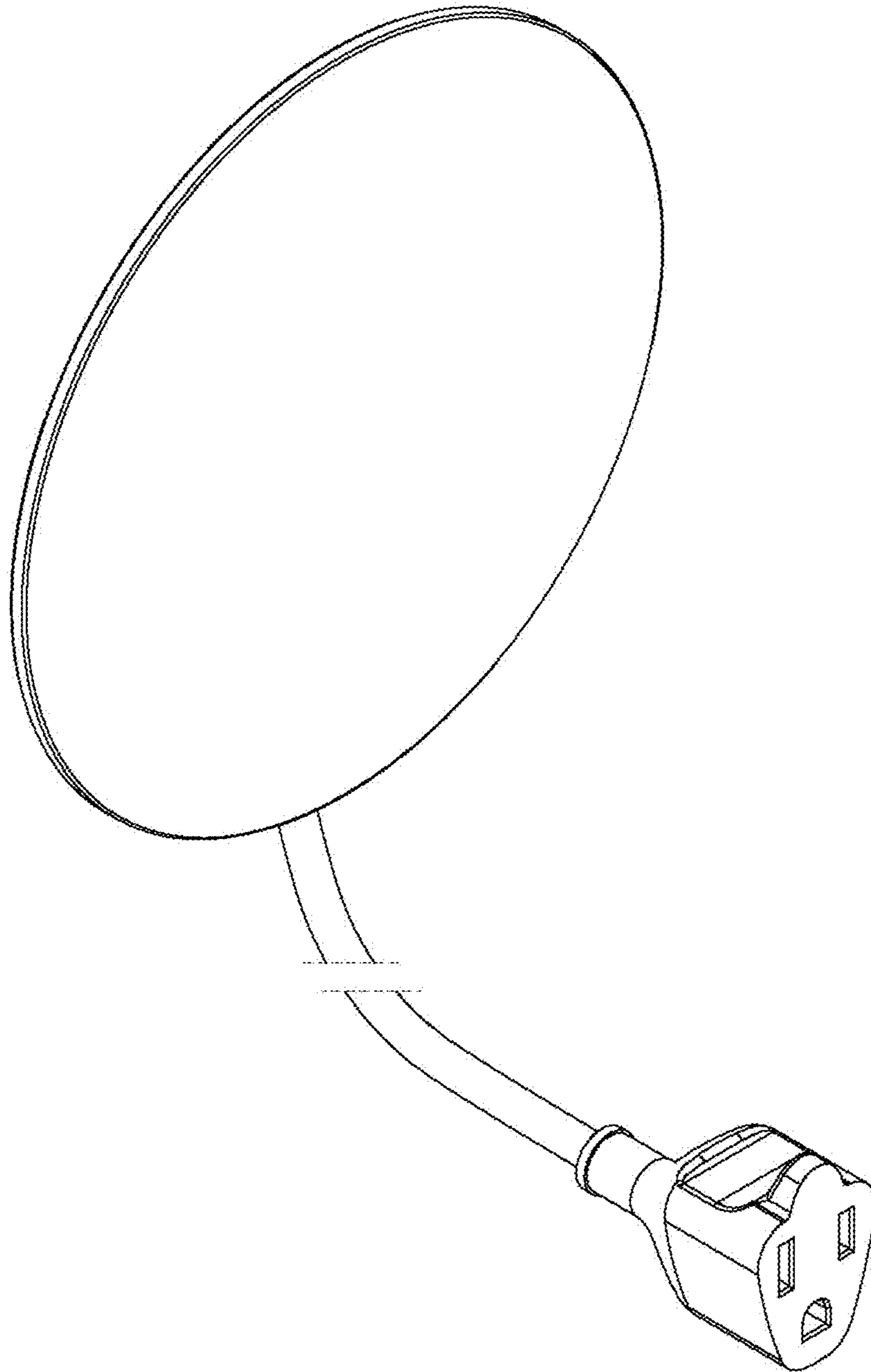


FIG. 1

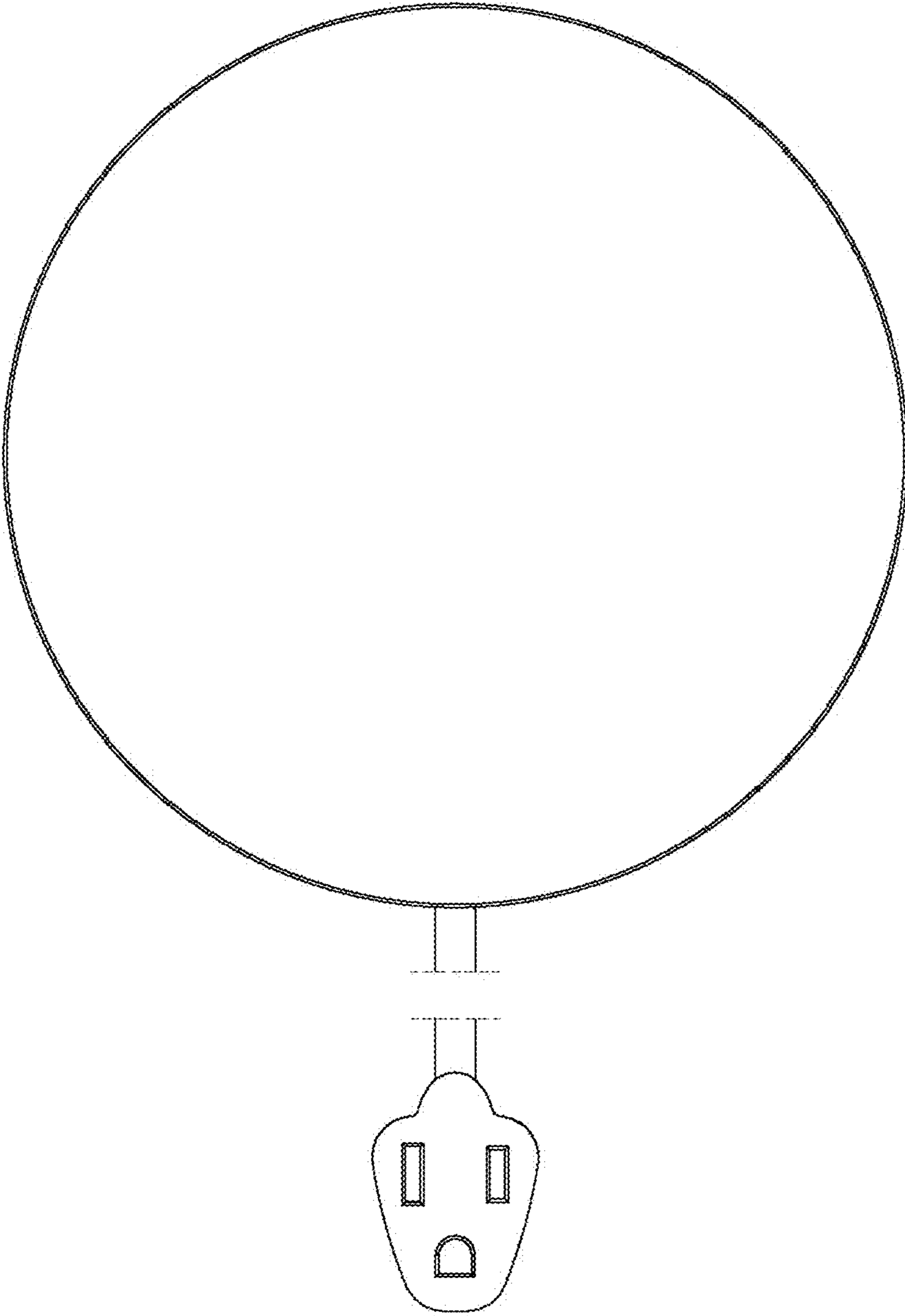


FIG. 2

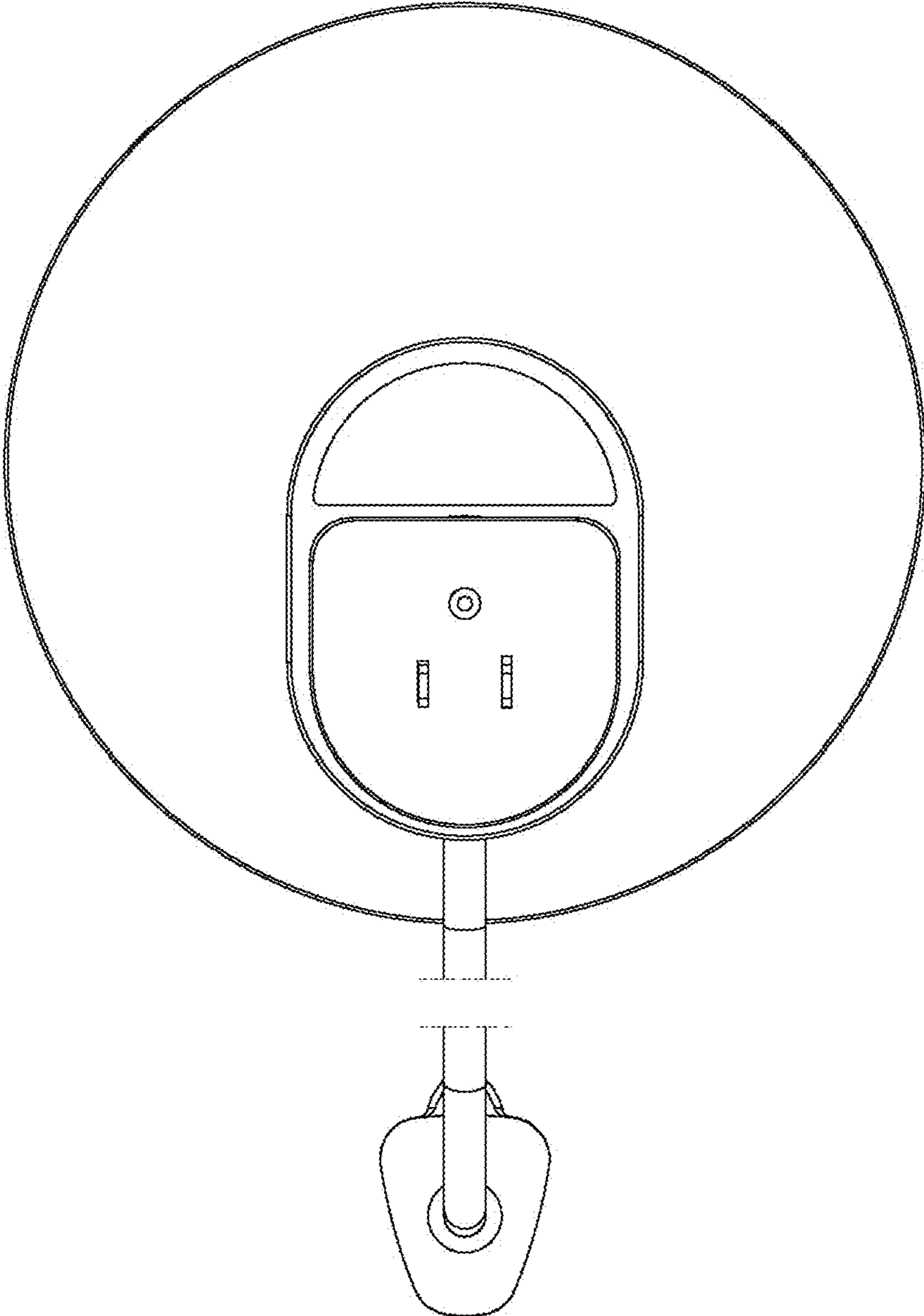


FIG. 3

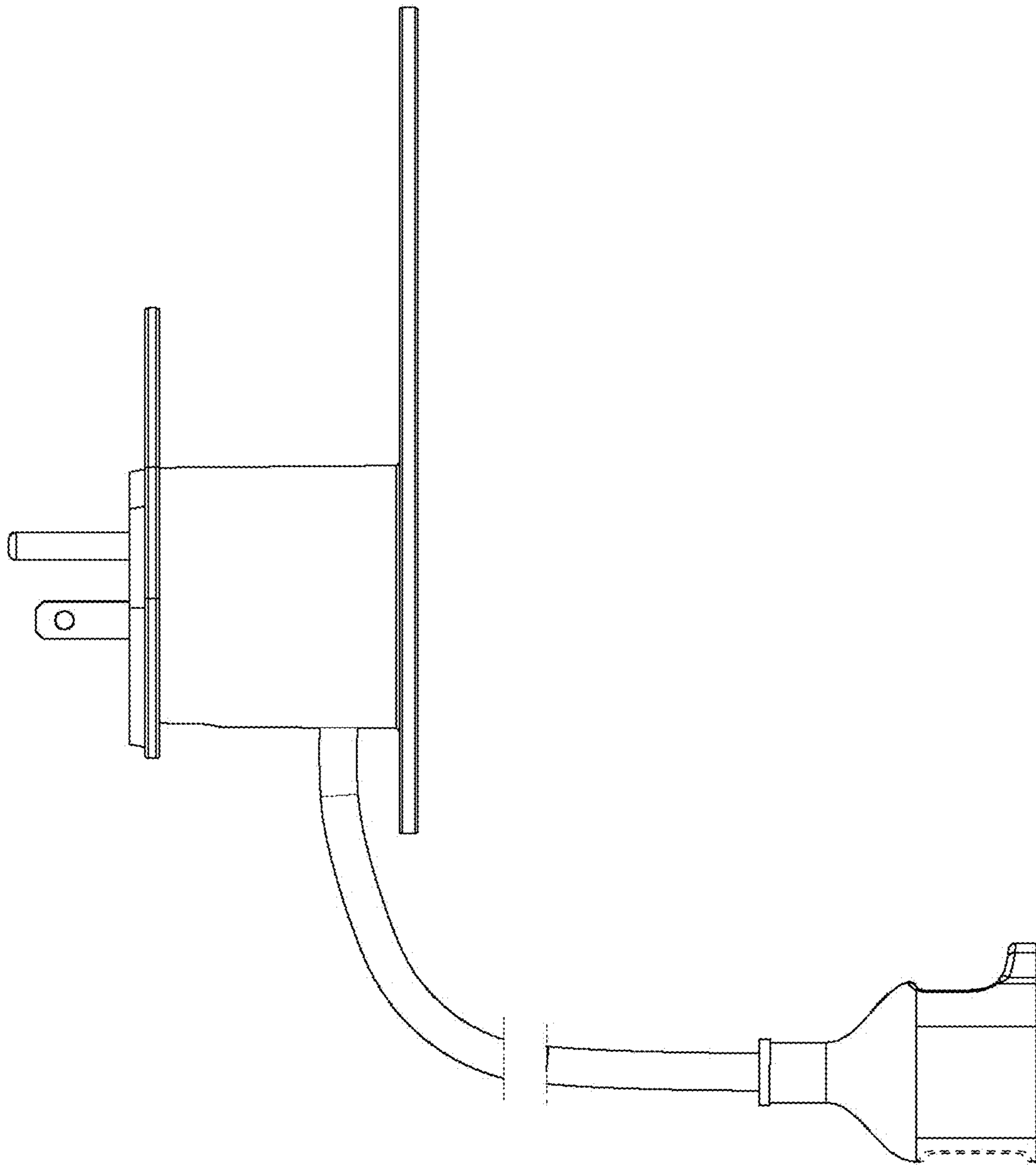


FIG. 4

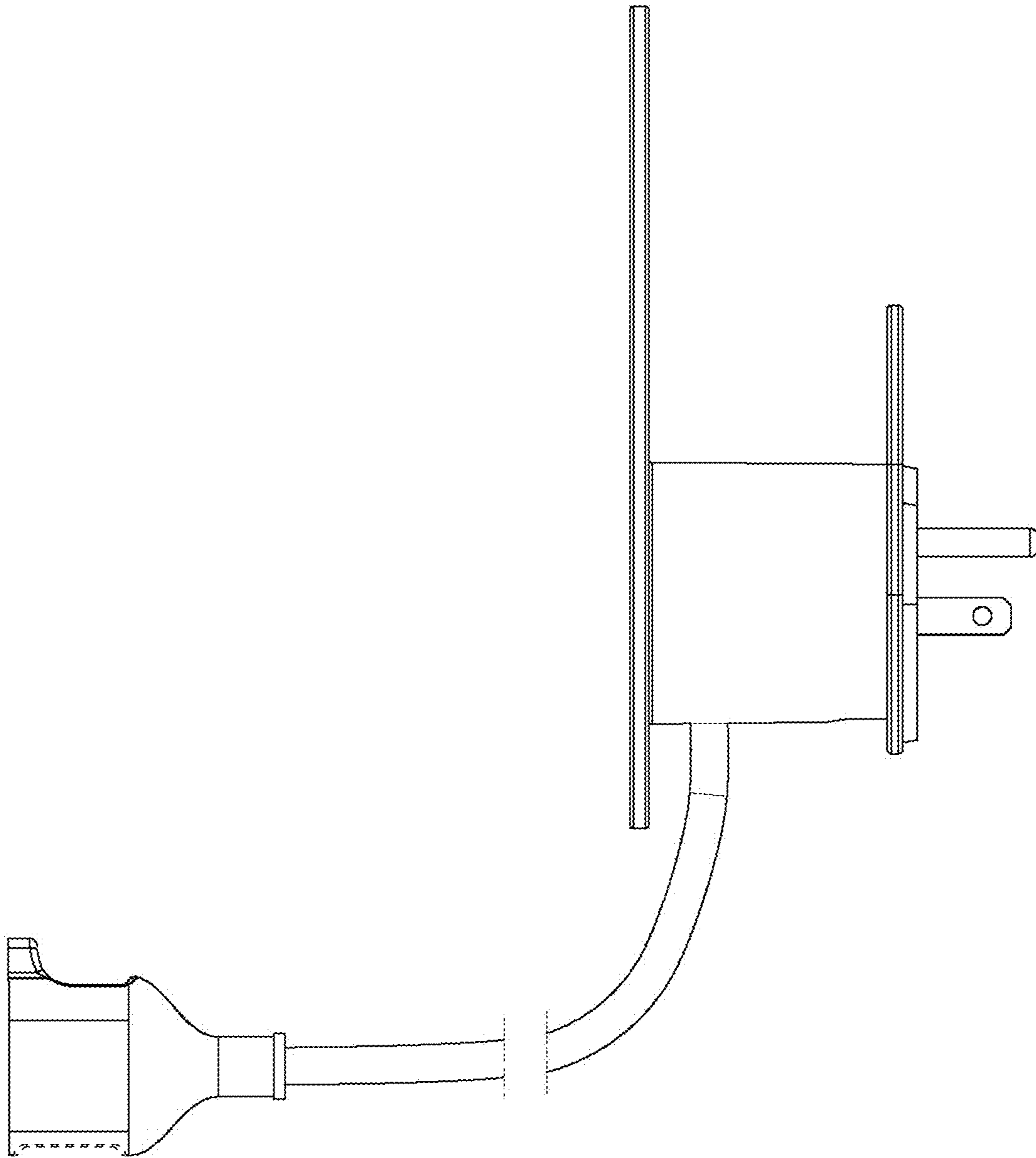


FIG. 5

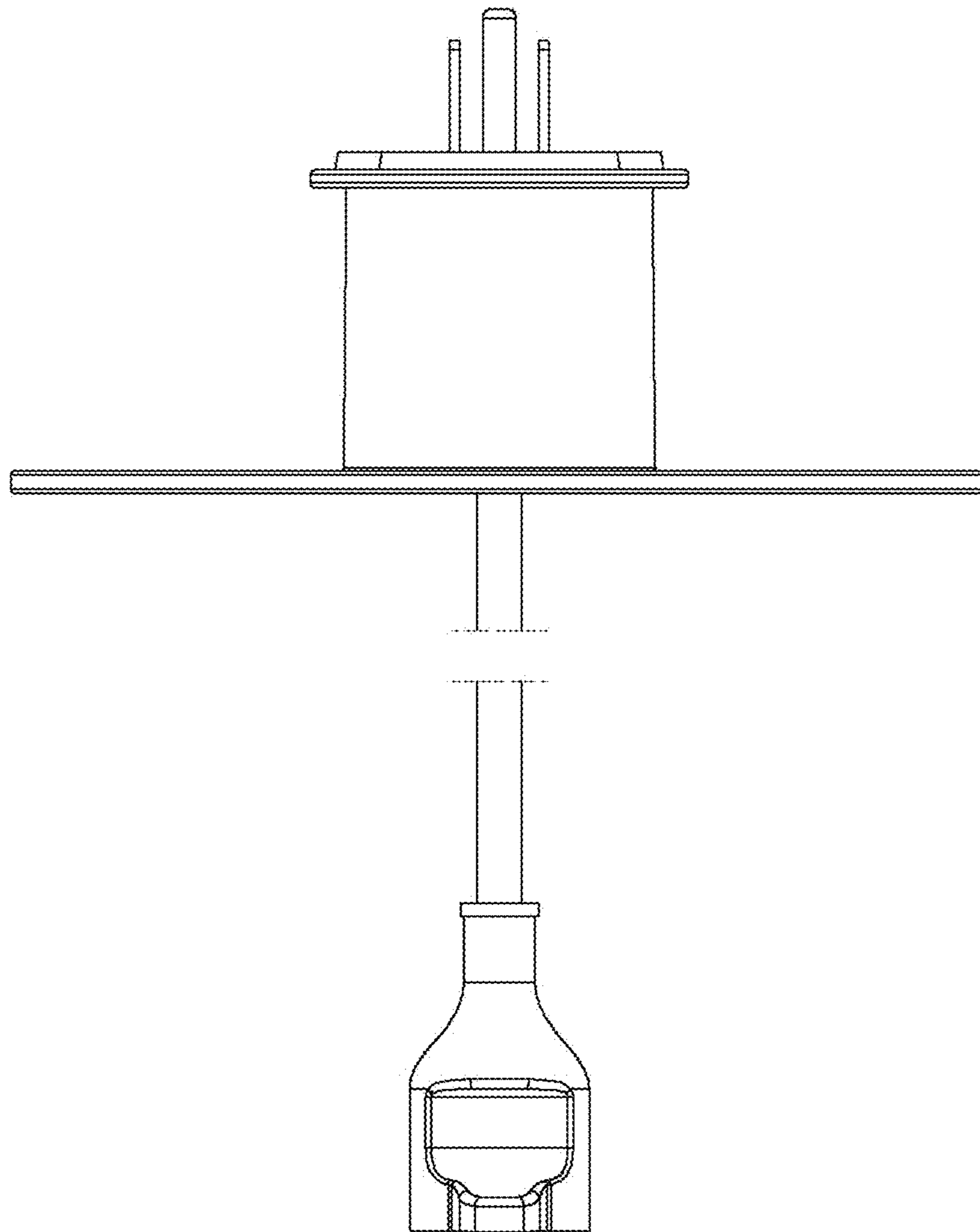


FIG. 6

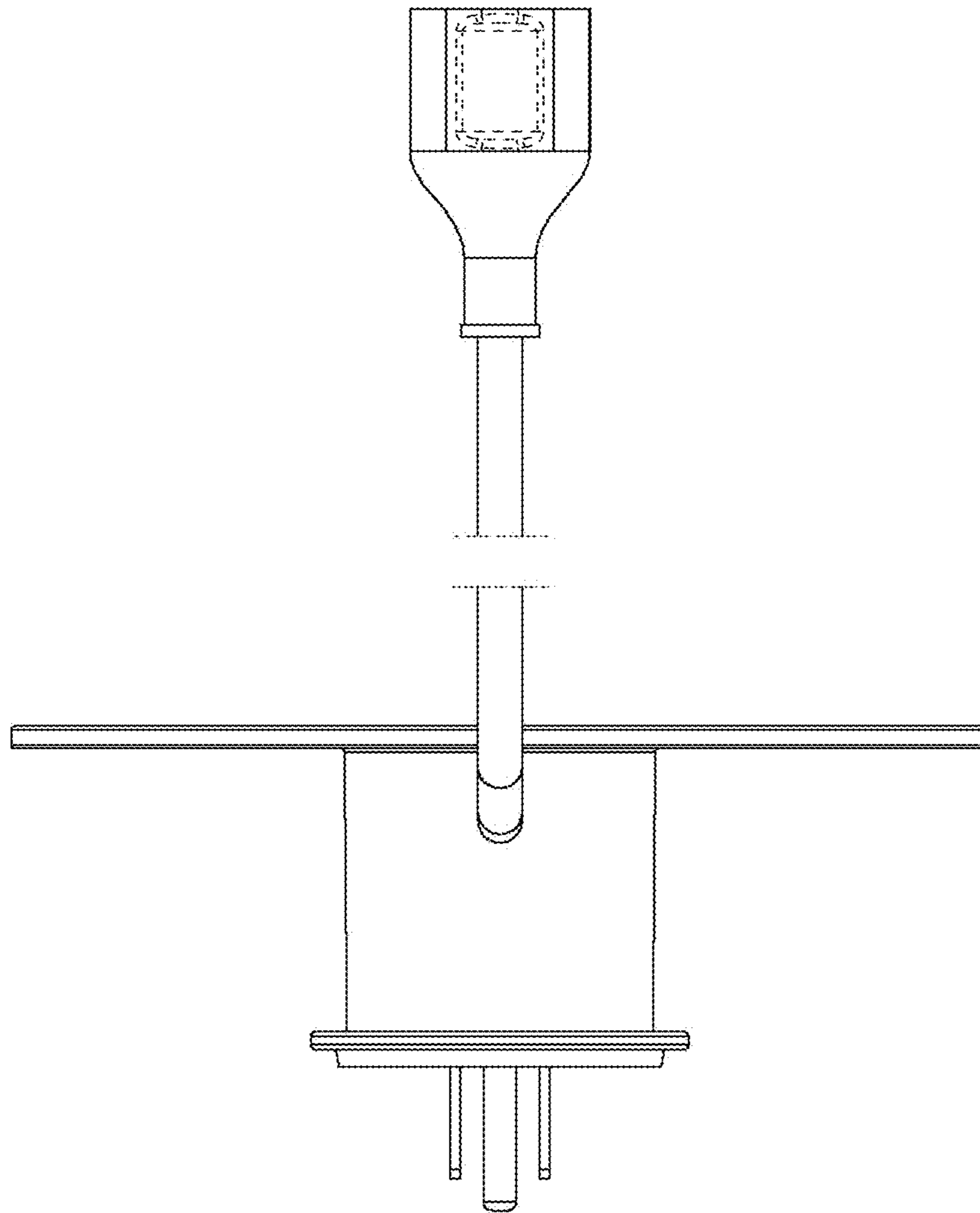


FIG. 7