



US00D942949S

(12) **United States Design Patent**
Somanathapura Ramanna et al.

(10) **Patent No.:** **US D942,949 S**
(45) **Date of Patent:** **** Feb. 8, 2022**

(54) **CONNECTOR HOUSING**
(71) Applicant: **Molex, LLC**, Lisle, IL (US)
(72) Inventors: **Nrupathunga Chakravarthy**
Somanathapura Ramanna, Bangalore
(IN); **KrishnaPrasad Darbal**
Somanath, Bangalore (IN); **Michael**
Gonzalez, Lisle, IL (US)

(73) Assignee: **Molex, LLC**, Lisle, IL (US)

(**) Term: **15 Years**

(21) Appl. No.: **29/681,977**

(22) Filed: **Feb. 28, 2019**

(51) **LOC (13) Cl.** **13-03**

(52) **U.S. Cl.**
USPC **D13/133**

(58) **Field of Classification Search**
USPC D3/203.1-3, 209; D11/101; D13/118,
D13/123, 133, 146, 147, 155, 184, 199;
439/252, 660, 668, 675, 680, 692
CPC H01R 12/88; H01R 12/29; H01R 13/24;
H01R 13/52; H01R 13/506; H01R
13/516; H01R 13/58; H01R 13/5205;
H01R 13/627; H01R 13/6315; H01R
13/6586; H01R 13/6597; H01R 13/213;
H01R 13/518; H01R 13/5208; H01R
13/5812; H01R 13/5816; H01R 13/582;
H01R 13/59; H01R 13/659
See application file for complete search history.

(56) **References Cited**

U.S. PATENT DOCUMENTS

4,093,332 A * 6/1978 Simko H01R 24/84
439/293
D253,409 S * 11/1979 Voelkert H01R 13/432
D13/133
4,311,355 A * 1/1982 Plyler H01R 13/5221
439/274

D271,196 S * 11/1983 Tetreault D13/133
D318,718 S * 7/1991 Blatt D13/133
D323,154 S * 1/1992 Ohkura H01R 13/53
D13/147
D326,643 S * 6/1992 Ohkura H01R 13/502
D13/147

(Continued)

FOREIGN PATENT DOCUMENTS

TW D190117 5/2018

OTHER PUBLICATIONS

Figure 8 connector, Jan. 27, 2016, [online], Available from Internet
URL: <<https://buy.wesco.com/grounding-bonding-cable-cable-rod-taps/BURNDY/Compression-Ground-Figure-8/YGHR29C34/p/78181022075-1>> (Year: 2016).*

(Continued)

Primary Examiner — Calvin E Vansant

(74) *Attorney, Agent, or Firm* — Banner & Witcoff, Ltd.

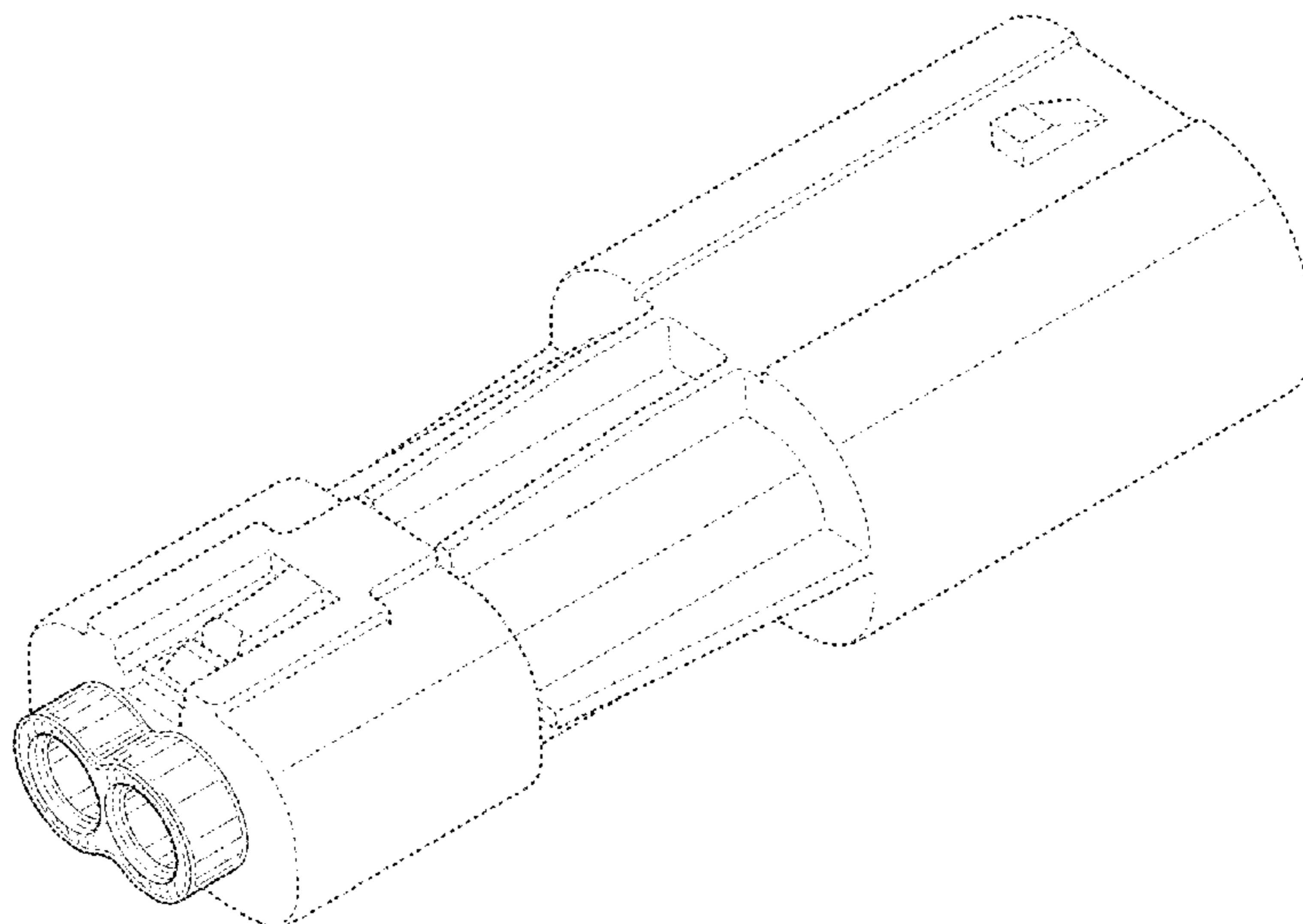
(57) **CLAIM**

The ornamental design for a connector housing, as shown and described.

DESCRIPTION

FIG. 1 is a front perspective view of a connector housing showing our new design;
FIG. 2 is a front view thereof;
FIG. 3 is a rear view thereof;
FIG. 4 is a bottom view thereof;
FIG. 5 is a top view thereof;
FIG. 6 is a left side view thereof; and,
FIG. 7 is a right side view thereof.
The broken lines immediately adjacent to the shaded areas represent the bounds of the claimed design and form no part thereof. The broken lines depicting the remainder of the connector housing show features that form no part of the claimed design.

1 Claim, 7 Drawing Sheets



(56)

References Cited

U.S. PATENT DOCUMENTS

D327,260 S 6/1992 Davis et al.
 D336,283 S * 6/1993 Ohkura D13/147
 5,503,568 A 4/1996 Pryce
 5,618,198 A 4/1997 Sato et al.
 6,116,938 A 9/2000 Myer et al.
 D440,938 S * 4/2001 Goto D13/133
 6,355,884 B1 * 3/2002 Gretz H01R 13/745
 174/659
 D472,524 S 4/2003 Yamawaki et al.
 D474,447 S * 5/2003 Kano D13/133
 6,851,960 B2 * 2/2005 Bain H01R 27/00
 439/172
 D546,763 S * 7/2007 Kovacs D13/134
 D546,764 S * 7/2007 Ciancanelli D13/134
 D546,765 S * 7/2007 Ciancanelli D13/136
 D561,101 S * 2/2008 Sakamoto D13/133
 D564,963 S * 3/2008 Sakamoto D13/133
 7,371,084 B2 * 5/2008 Xue H01R 13/652
 439/108
 D596,125 S 7/2009 Norin et al.
 RE42,230 E * 3/2011 Norin D13/133
 8,011,975 B1 * 9/2011 Kim H01R 31/065
 439/680
 8,257,111 B1 9/2012 Smutny et al.
 D726,114 S 4/2015 Nook et al.
 D746,233 S * 12/2015 Lyons H01R 31/02
 D13/137.2
 D822,610 S 7/2018 Ramakrishna Gowda et al.
 D826,549 S * 8/2018 Lospinoso D3/203.1

D848,373 S * 5/2019 Ramakrishna Gowda .. D13/146
 D848,953 S 5/2019 Gregori
 10,476,189 B2 11/2019 Tsubaki
 D873,774 S 1/2020 Cao
 10,615,537 B2 4/2020 Shi et al.
 D906,249 S * 12/2020 Hasan D13/137.1
 2009/0081905 A1 * 3/2009 Chen H01R 13/05
 439/660
 2012/0322312 A1 * 12/2012 Tsai H01R 31/06
 439/628
 2014/0073200 A1 * 3/2014 Chou H01R 13/502
 439/692
 2015/0364858 A1 * 12/2015 Koszeghy H01R 13/53
 439/660
 2016/0043499 A1 * 2/2016 Hashimoto H01R 13/432
 439/587

OTHER PUBLICATIONS

New England Tubing Technologies, Paratubing, Oct. 23, 2018, online product page, retrieved May 11, 2021 from <URL:https://newenglandtubing.com/product/extruded-parallel-tubing/group01-1/> (Year: 2018).*

Waterproof Connector, May 21, 2016, [online], [site visited Apr. 7, 2020], Available from Internet URL: <https://www.amazon.com/dp/B07QFW8X9Z/ref=psdc_15729341_t5_B01A6LTK44 (Year: 2016).
 Water Proof Connector, Aug. 24, 2014, [online], [site visited Apr. 7, 2020], Available from Internet URL: <https://www.amazon.com/HiseNook-Waterproof-Electrical-Connector-Package/dp/B00MZVYB3O> (Year: 2014).

* cited by examiner

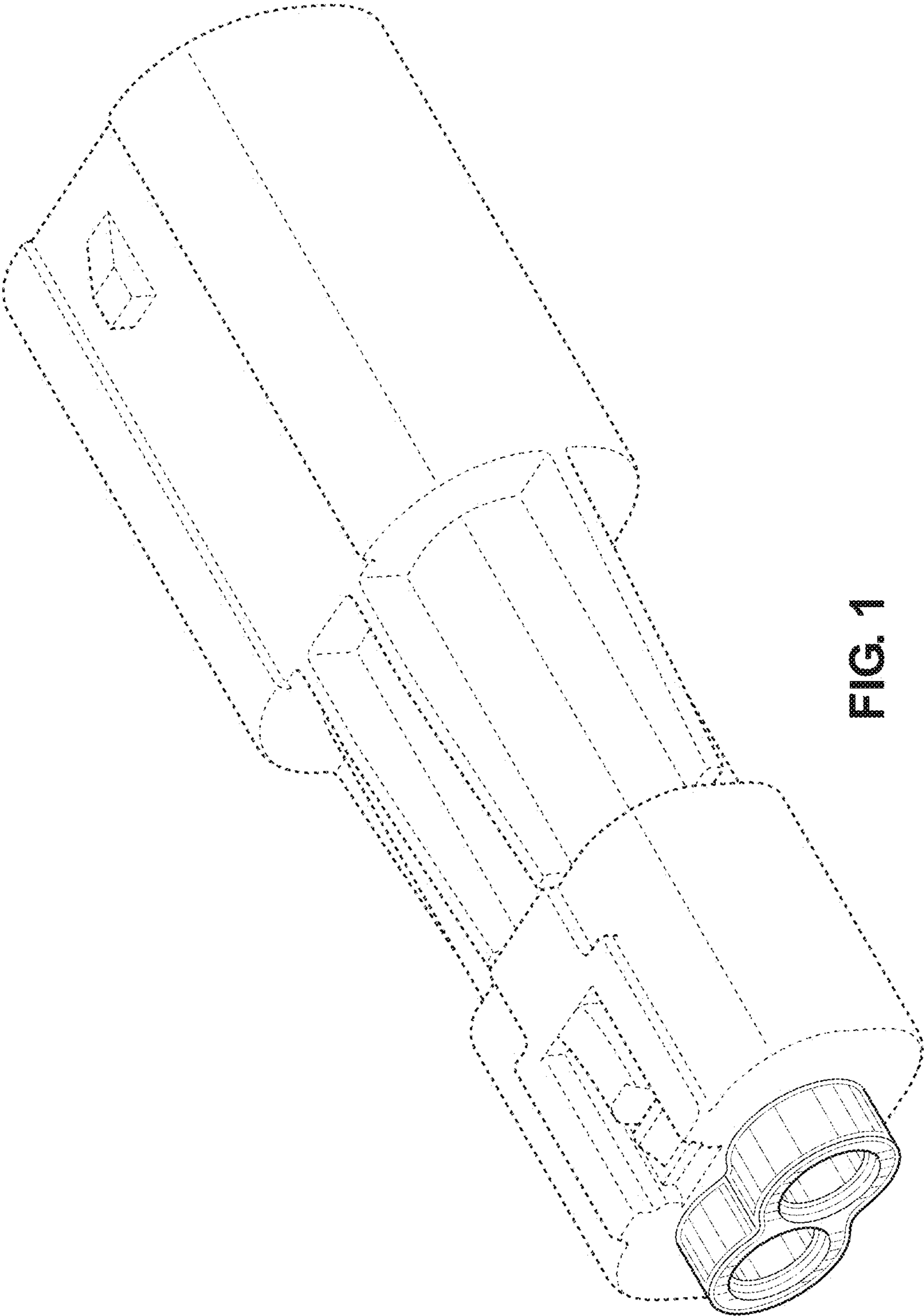


FIG. 1

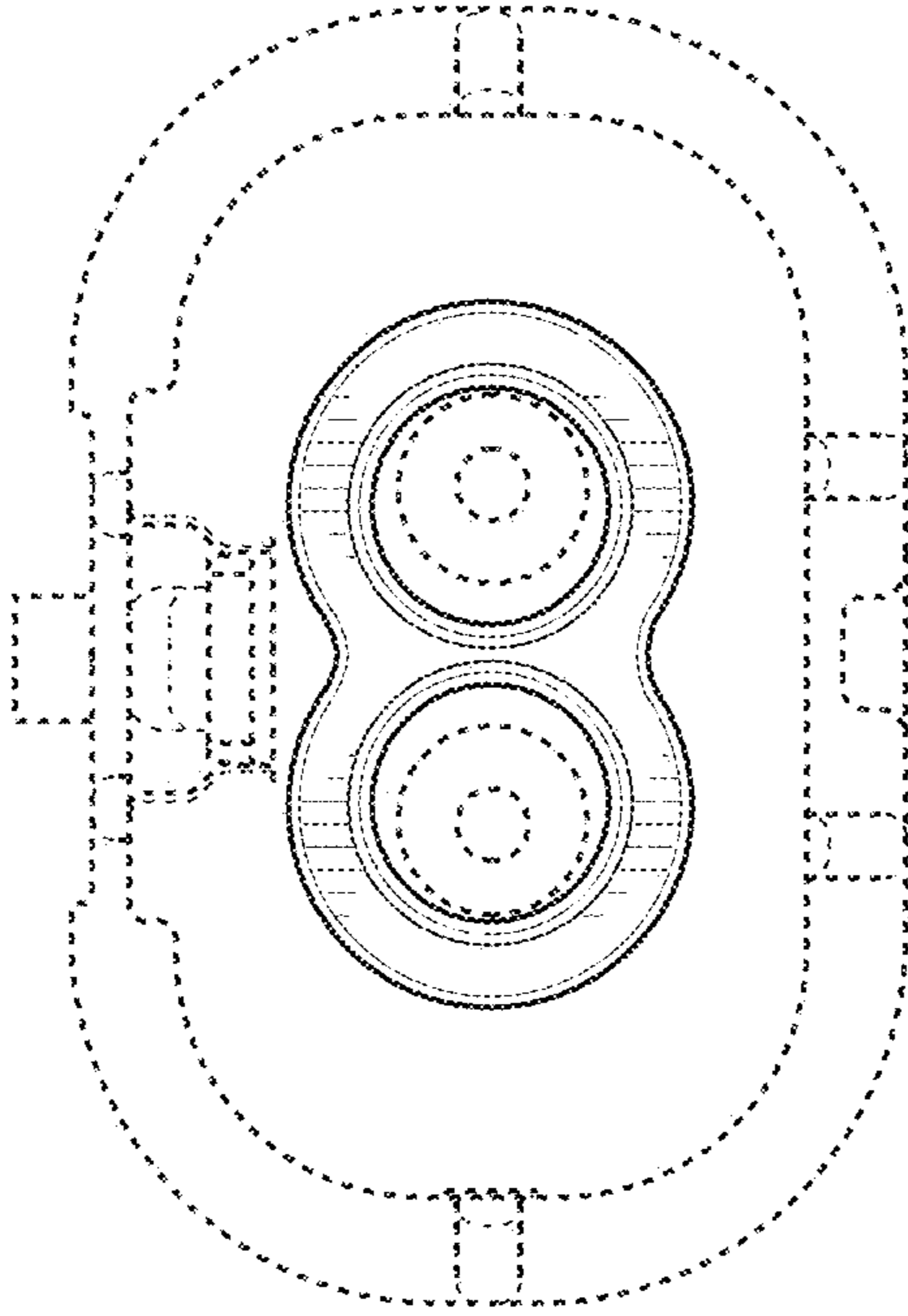


FIG. 2

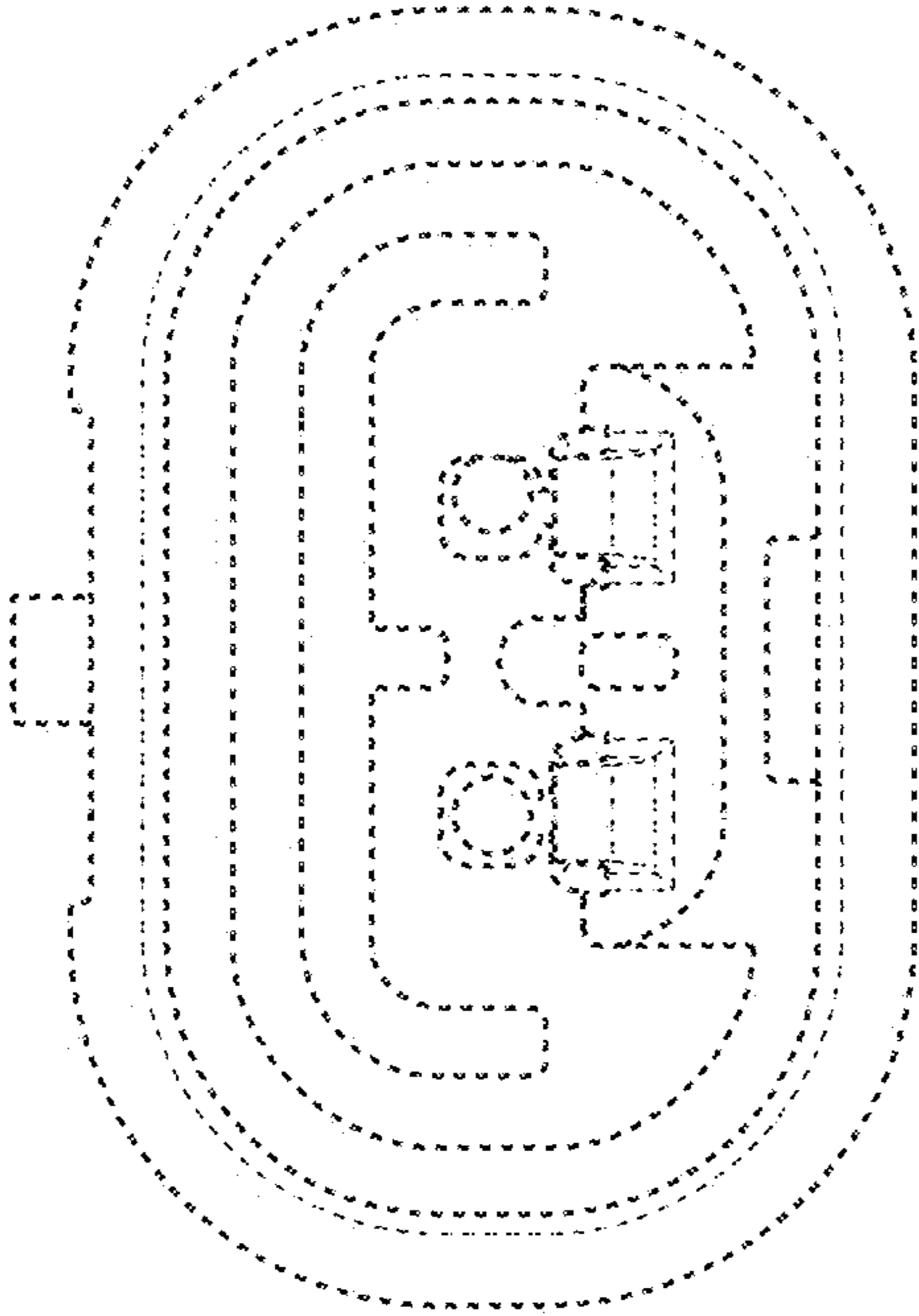


FIG. 3

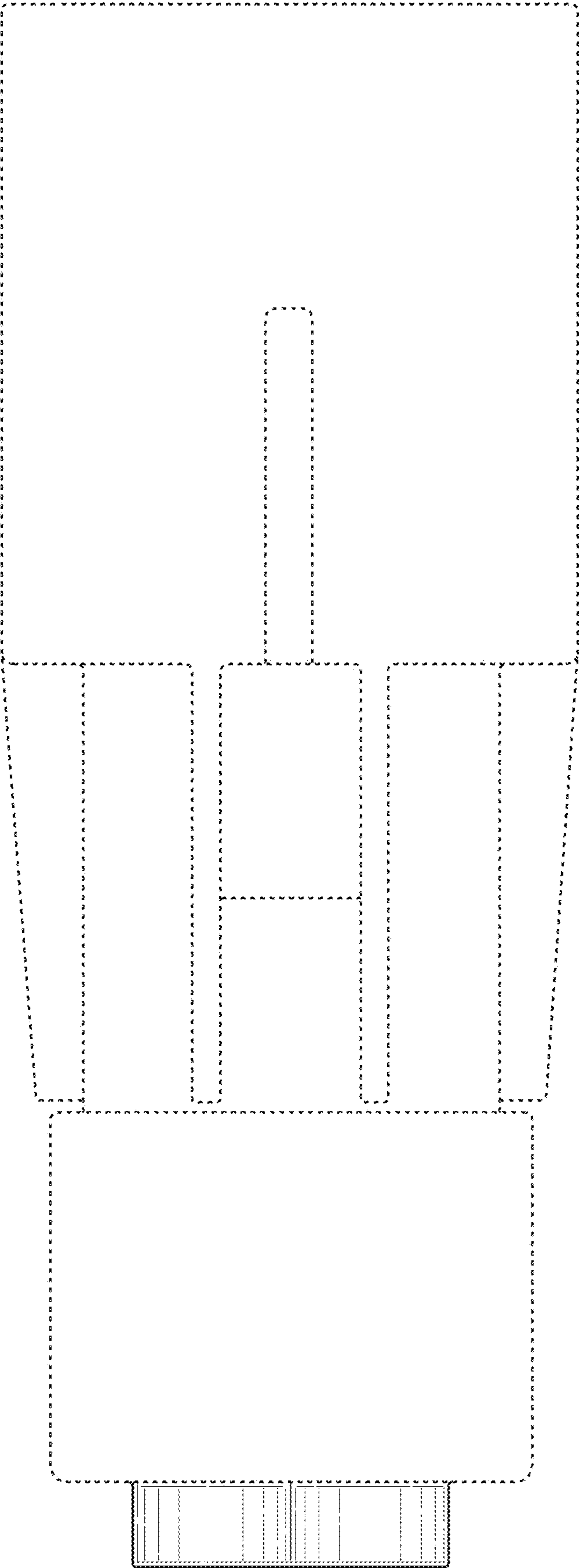


FIG. 4

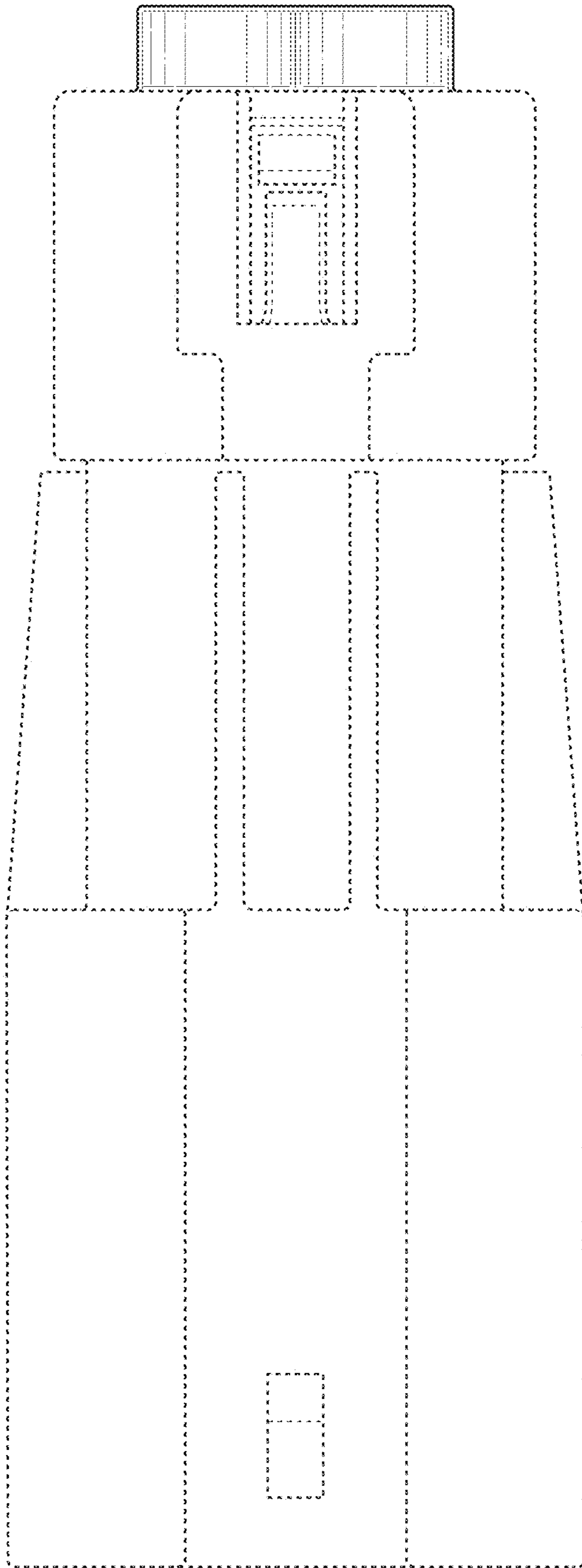


FIG. 5

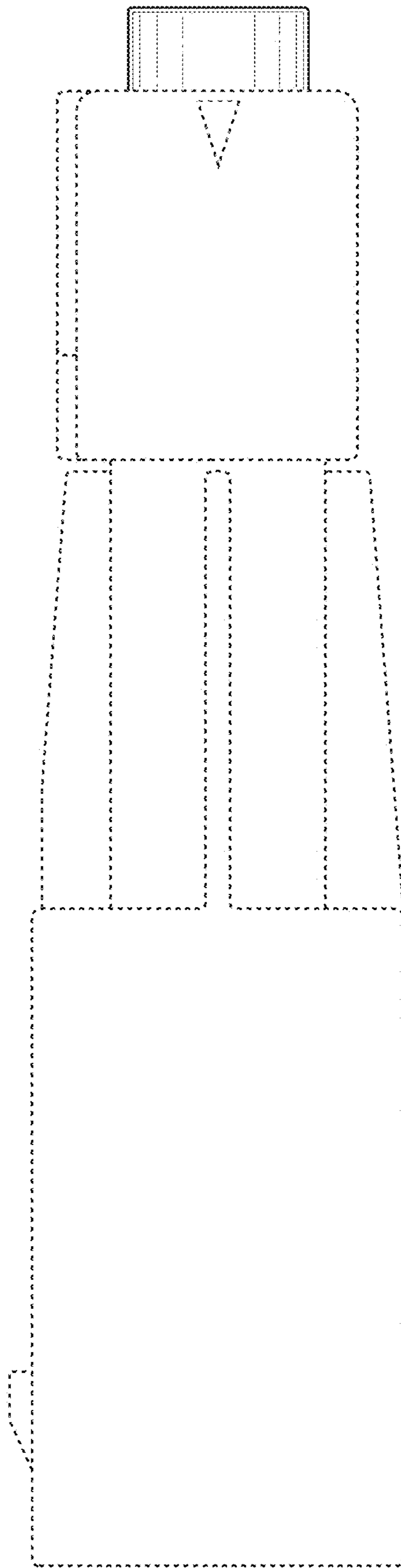


FIG. 6

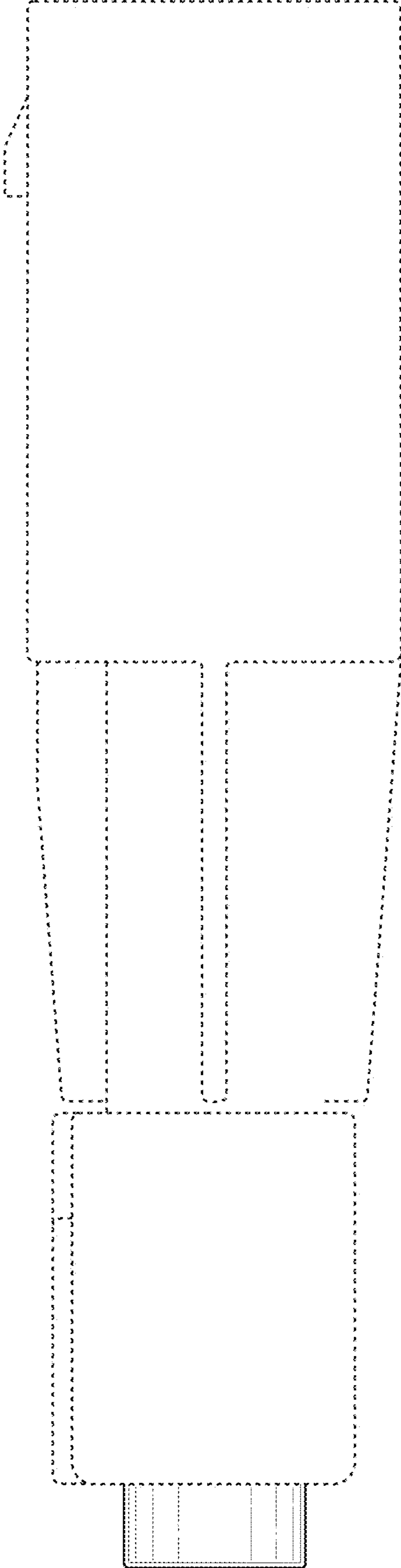


FIG. 7