



US00D942948S

(12) **United States Design Patent**  
**Song**

(10) **Patent No.:** **US D942,948 S**

(45) **Date of Patent:** **\*\* Feb. 8, 2022**

(54) **BATTERY BOX**

(71) Applicant: **Keyong Song**, Zhejiang (CN)

(72) Inventor: **Keyong Song**, Zhejiang (CN)

(\*\*) Term: **15 Years**

(21) Appl. No.: **29/741,362**

(22) Filed: **Jul. 13, 2020**

(51) **LOC (13) Cl.** ..... **13-02**

(52) **U.S. Cl.**  
USPC ..... **D13/119**

(58) **Field of Classification Search**  
USPC ..... D13/103, 118–121, 184, 199; D3/273,  
D3/274, 293, 294  
CPC .. H01M 50/20; H01M 50/202; H01M 50/204;  
H01M 50/209; H01M 50/213; H01M  
50/244; H01M 50/262

See application file for complete search history.

(56) **References Cited**

**U.S. PATENT DOCUMENTS**

D777,104 S *	1/2017	Liu	.....	D13/119
D823,788 S *	7/2018	Wei	.....	D13/103
D825,465 S *	8/2018	Deng	.....	D13/119
D861,605 S *	10/2019	Yang	.....	D13/119
D861,606 S *	10/2019	Yang	.....	D13/119
D871,329 S	12/2019	Chen		
D881,812 S *	4/2020	Yang	.....	D13/119
D885,326 S *	5/2020	Zhang	.....	D13/103
D886,045 S *	6/2020	Deng	.....	D13/103
D886,738 S *	6/2020	Huang	.....	D13/119

D887,347 S *	6/2020	Wei	.....	D13/103
D890,087 S *	7/2020	Xiao	.....	D13/103
D892,039 S	8/2020	Chen		
D896,179 S *	9/2020	Yang	.....	D13/119
D906,967 S *	1/2021	Xiao	.....	D13/119
D911,930 S *	3/2021	Xie	.....	D13/103
D929,333 S *	8/2021	Benjakachorndech	.....	D13/119
D933,590 S *	10/2021	Wu	.....	D13/103
2011/0020681 A1 *	1/2011	Liu	.....	H01M 50/213 429/97
2011/0316710 A1 *	12/2011	Dai	.....	H01M 10/4228 340/636.19
2019/0036286 A1 *	1/2019	Yang	.....	G01R 31/371
2021/0313550 A1 *	10/2021	Lin	.....	H01M 50/20

\* cited by examiner

*Primary Examiner* — Rosemary K Tarcza

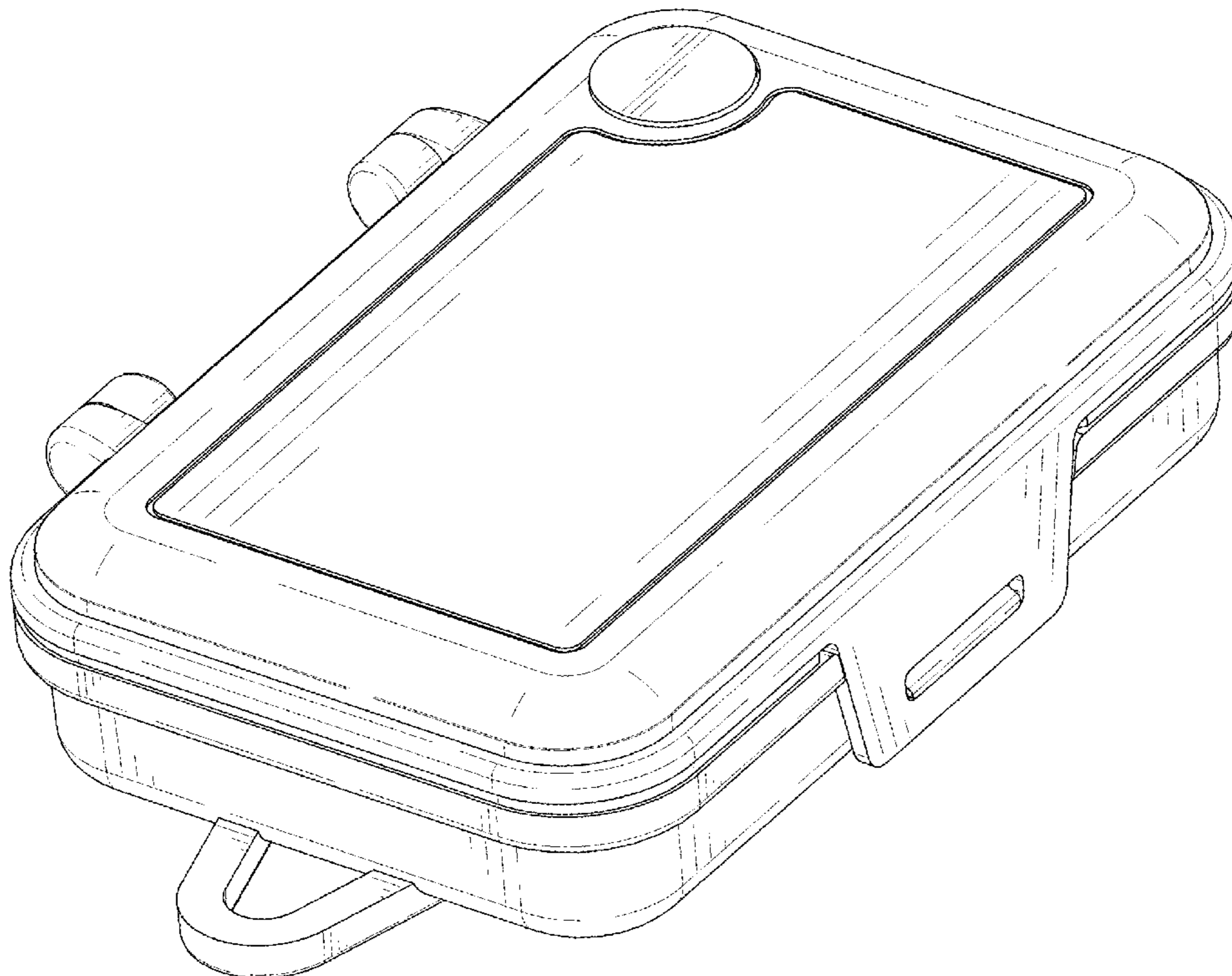
(57) **CLAIM**

The ornamental design for a battery box, as shown and described.

**DESCRIPTION**

FIG. 1 is a front and top perspective view of a battery box, showing my new design;  
FIG. 2 is a front elevational view thereof;  
FIG. 3 is a rear elevational view thereof;  
FIG. 4 is a left side elevational view thereof;  
FIG. 5 is a right side elevational view thereof;  
FIG. 6 is a top plan view thereof; and,  
FIG. 7 is a bottom plan view thereof.  
The broken lines in the figures illustrate portions of the article that form no part of the claimed design.

**1 Claim, 7 Drawing Sheets**



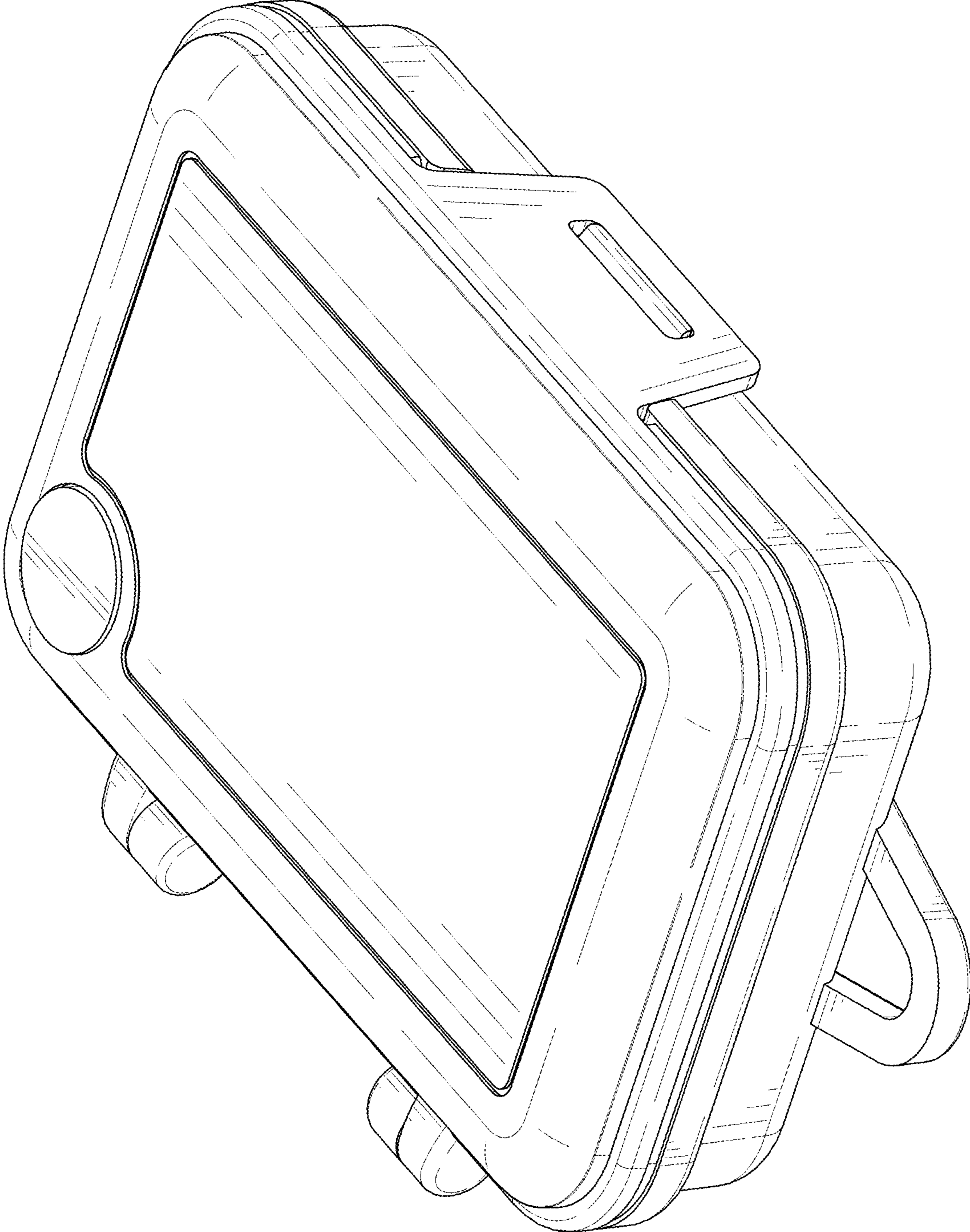


FIG. 1

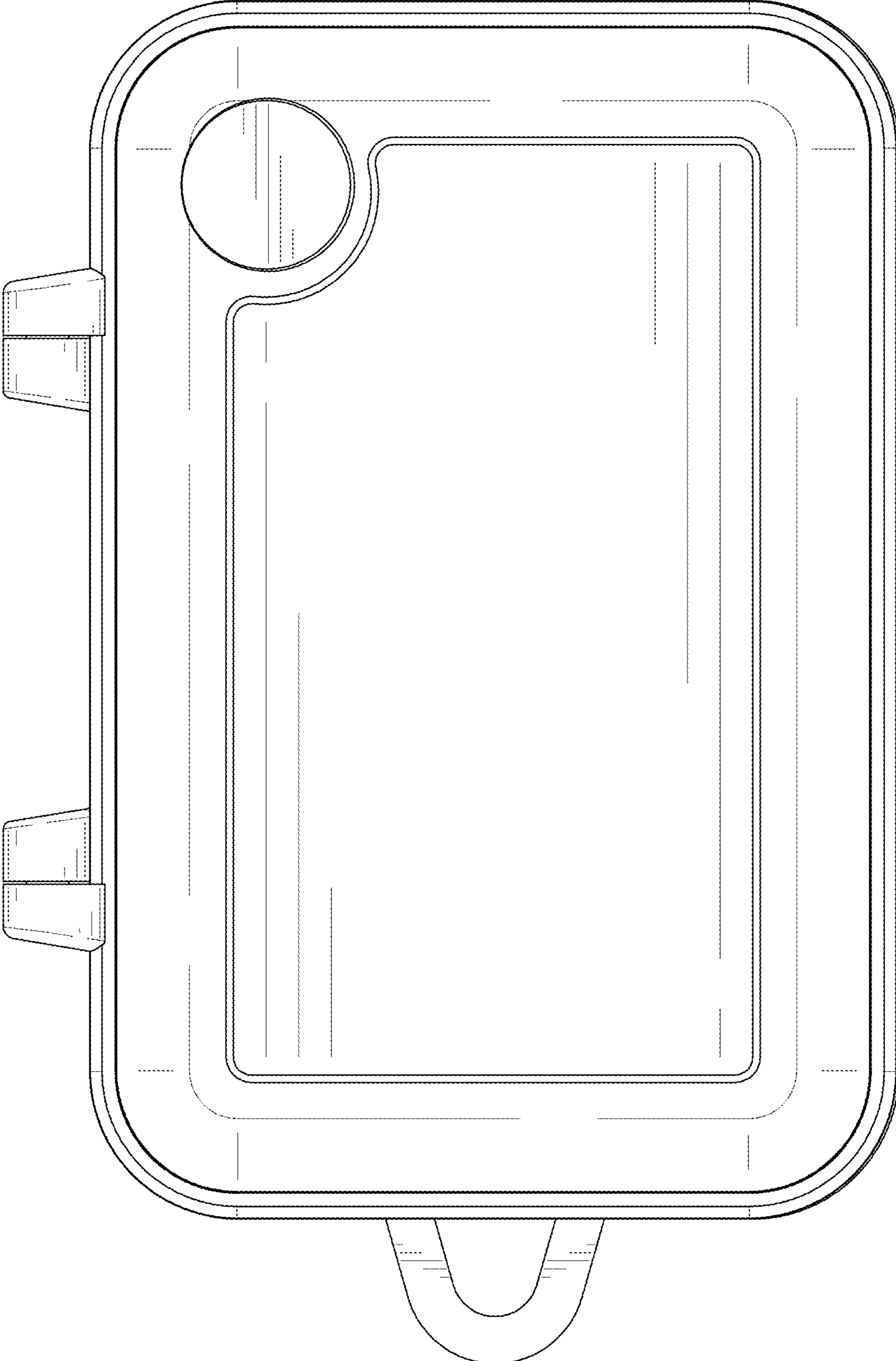


FIG. 2

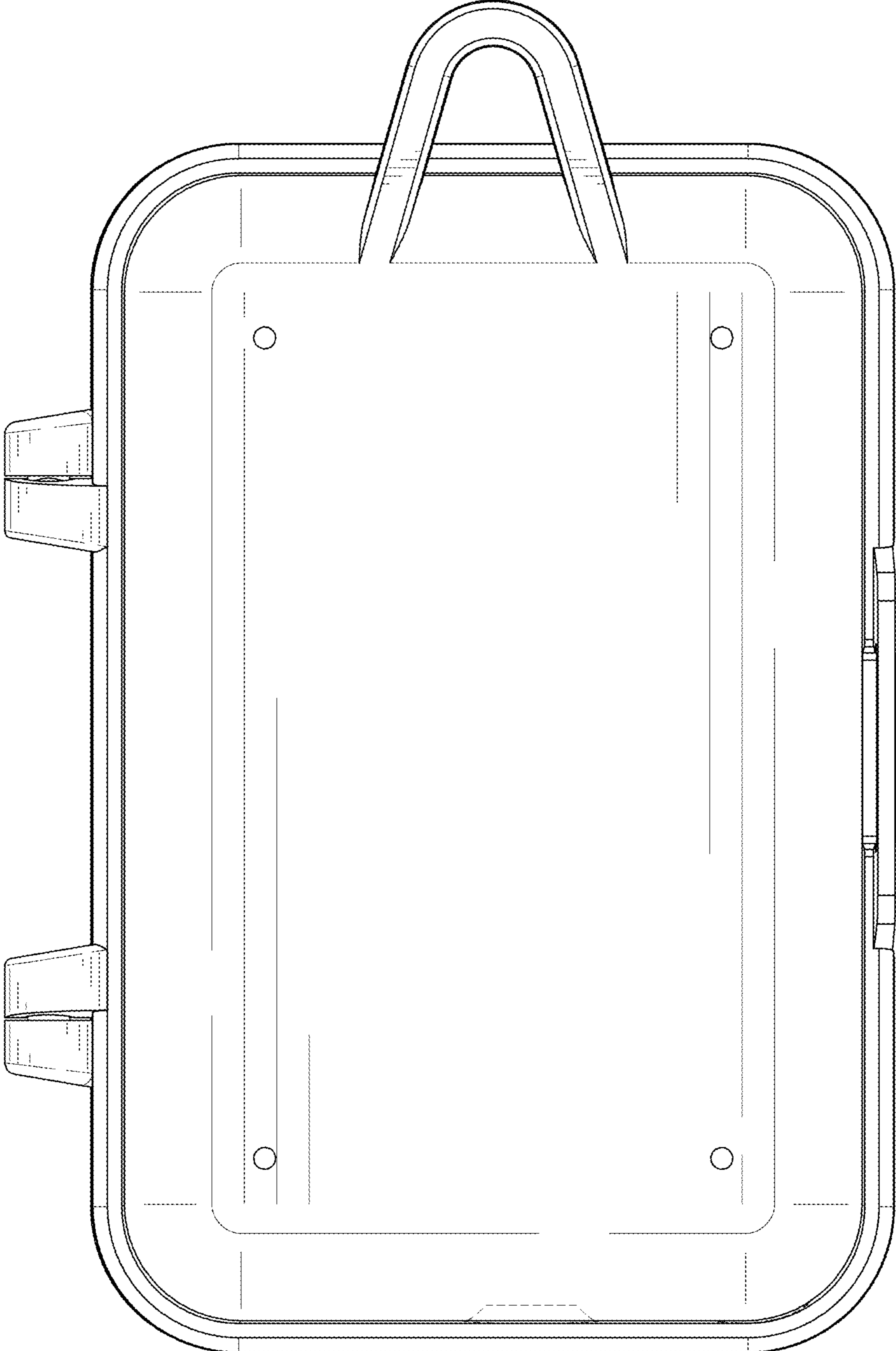


FIG. 3

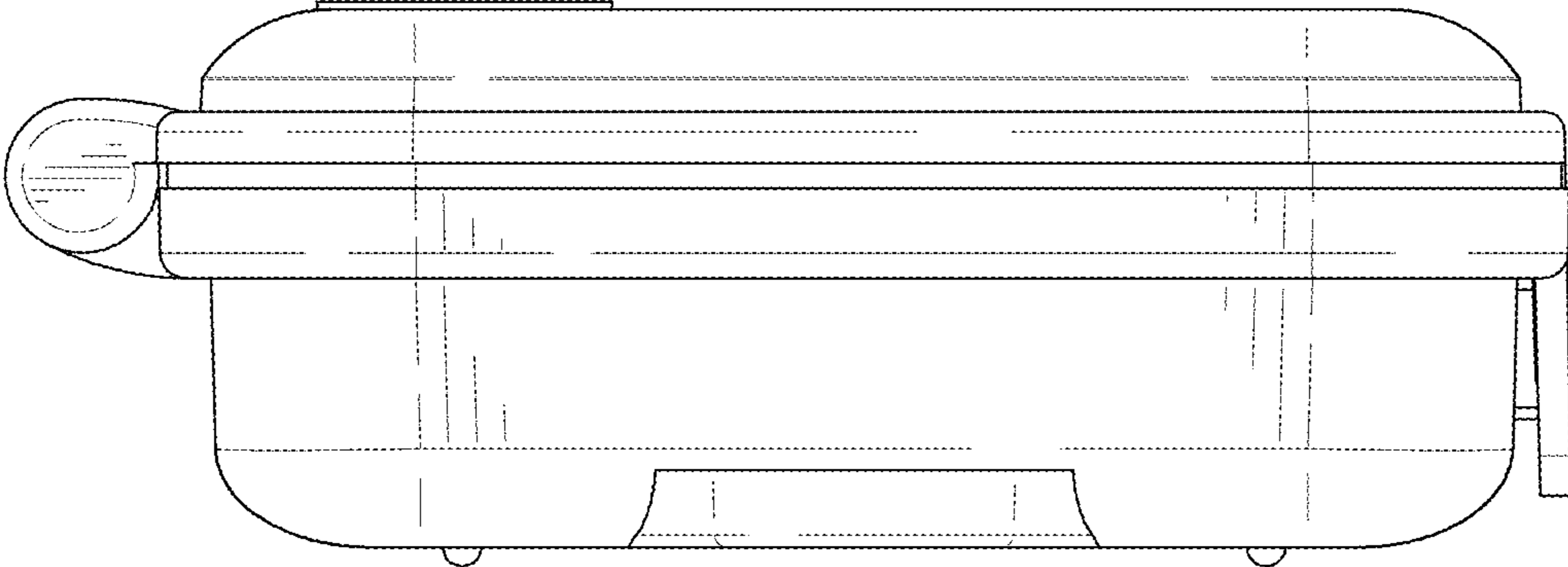


FIG. 4

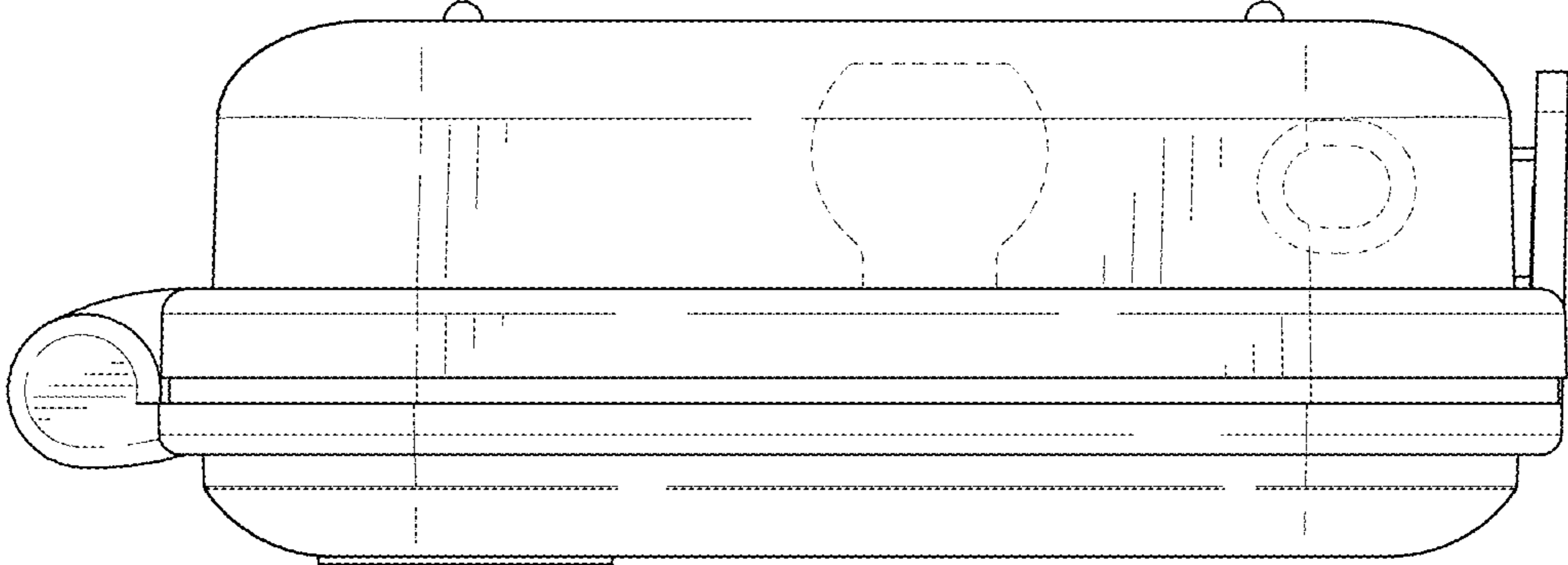


FIG. 5

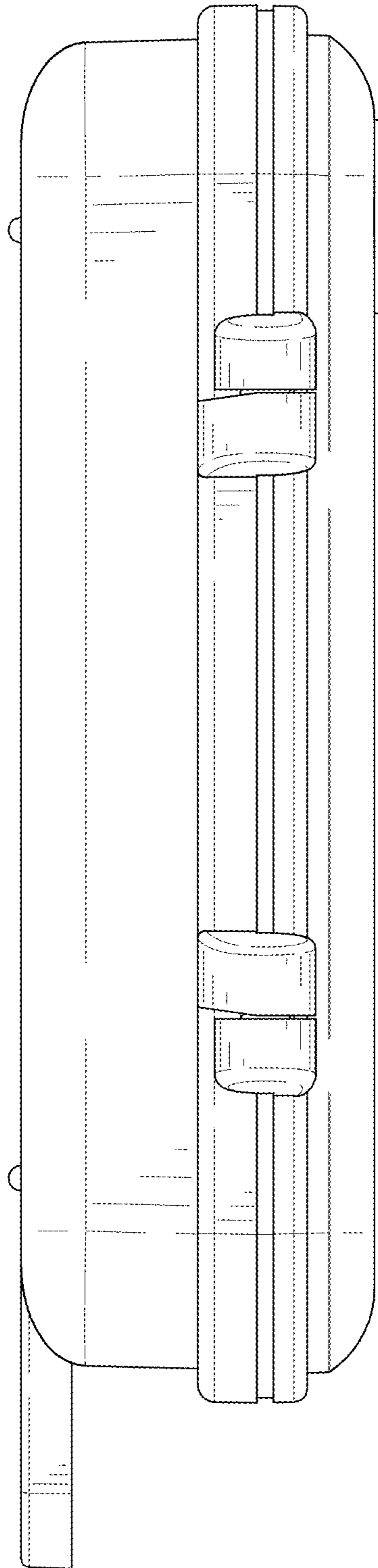


FIG. 6

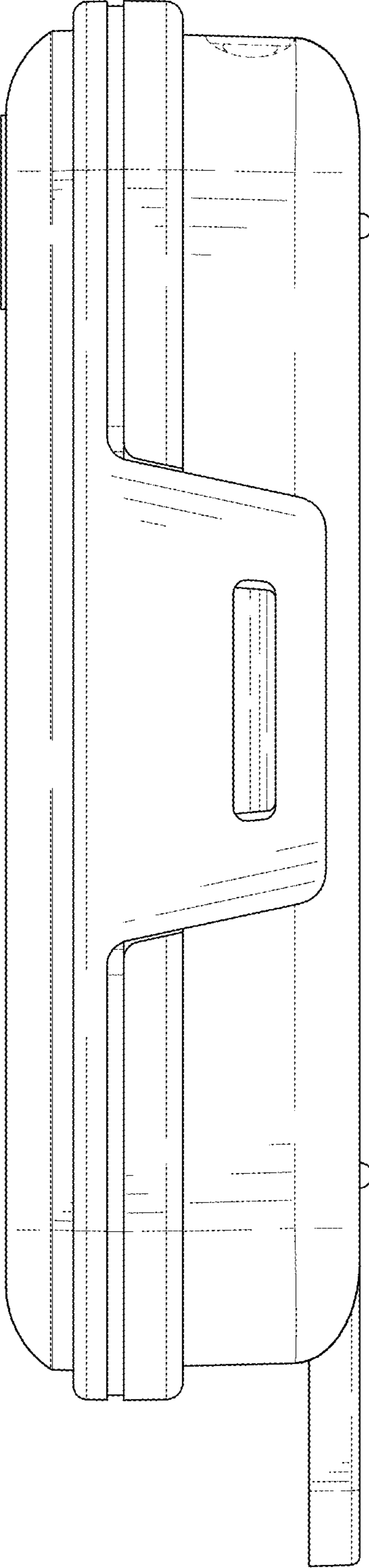


FIG. 7