



US00D942946S

(12) **United States Design Patent**
Takagi et al.

(10) **Patent No.:** **US D942,946 S**
(45) **Date of Patent:** **** Feb. 8, 2022**

- (54) **COIL COMPONENT**
- (71) Applicant: **TDK CORPORATION**, Tokyo (JP)
- (72) Inventors: **Nobuo Takagi**, Tokyo (JP); **Toshio Tomonari**, Tokyo (JP); **Setu Tsuchida**, Tsuruoka (JP); **Syun Ashizawa**, Tokyo (JP)
- (73) Assignee: **TDK CORPORATION**, Tokyo (JP)
- (**) Term: **15 Years**
- (21) Appl. No.: **29/663,033**
- (22) Filed: **Sep. 11, 2018**

- 6,522,230 B2 2/2003 Hanato et al.
- 6,778,055 B1 8/2004 Wang
- 6,965,289 B2 11/2005 Toi et al.
- 7,791,444 B2 9/2010 Tomonari et al.
- D669,031 S 10/2012 Wagatsuma et al.
- D721,651 S 1/2015 Iwakura et al.
- 9,177,710 B2 11/2015 Lee et al.
- 9,196,415 B2 11/2015 Takagi et al.

(Continued)

Primary Examiner — Jennifer O King
(74) *Attorney, Agent, or Firm* — Arent Fox LLP

(57) **CLAIM**

The ornamental design for a coil component, as shown and described.

Related U.S. Application Data

- (62) Division of application No. 29/614,451, filed on Aug. 18, 2017, now Pat. No. Des. 831,570, which is a division of application No. 29/528,830, filed on Jun. 1, 2015, now Pat. No. Des. 798,814.

Foreign Application Priority Data

- (30) Dec. 2, 2014 (JP) 2014-026937
- Dec. 2, 2014 (JP) 2014-026938
- (51) **LOC (13) Cl.** **13-02**
- (52) **U.S. Cl.**
USPC **D13/117**
- (58) **Field of Classification Search**
USPC D13/113, 117, 122, 118, 182, 183, 199
CPC ... H01F 17/045; H01F 27/292; H01F 27/2823
See application file for complete search history.

References Cited

U.S. PATENT DOCUMENTS

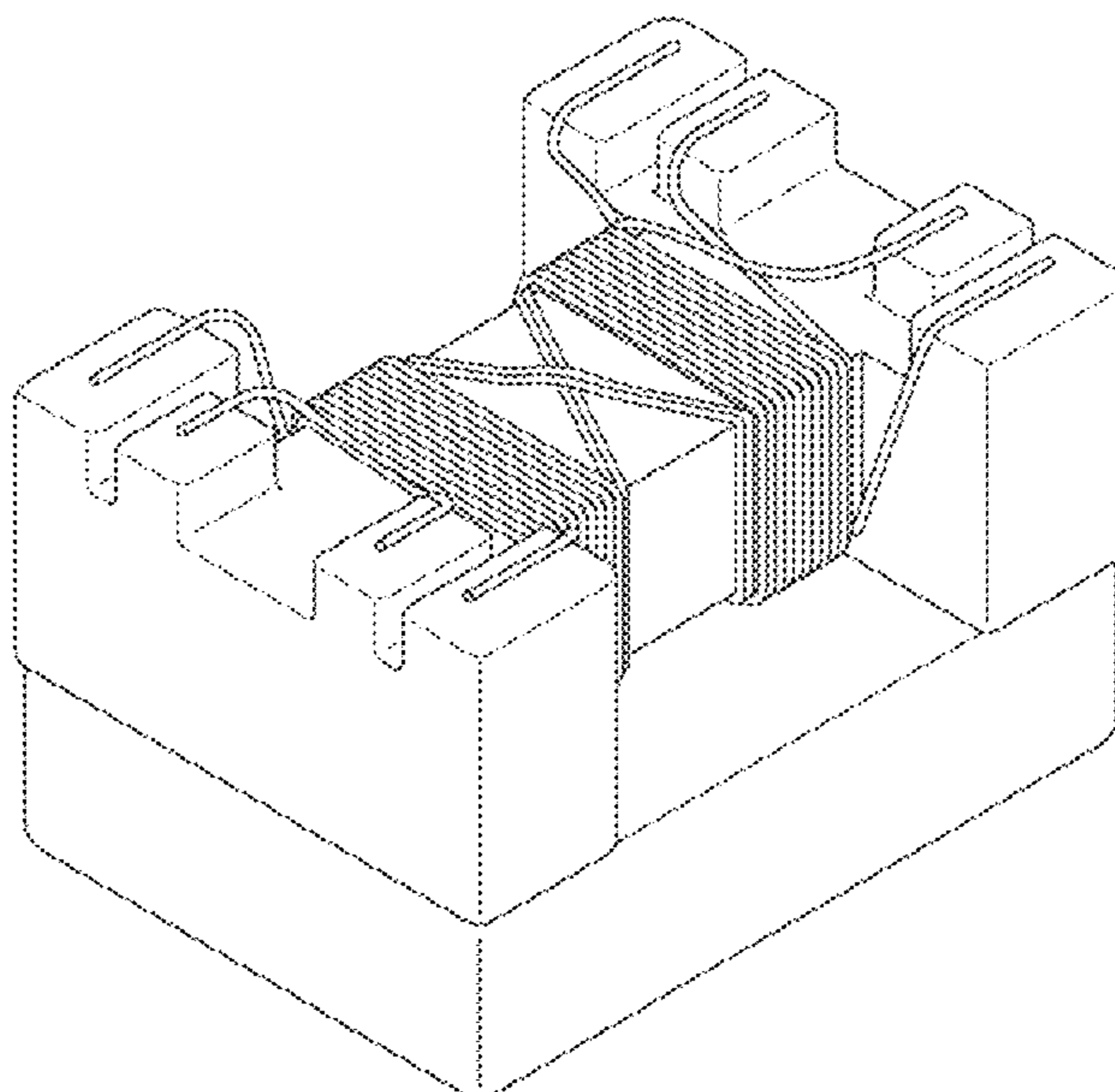
- D290,456 S 6/1987 Burgher et al.
- 6,373,366 B1 4/2002 Sato et al.

DESCRIPTION

FIG. 1 is a front view of a first embodiment of a coil component showing our new design;
 FIG. 2 is a back view of the design shown in FIG. 1;
 FIG. 3 is a left side view of the design shown in FIG. 1;
 FIG. 4 is a top view of the design shown in FIG. 1;
 FIG. 5 is a bottom view of the design shown in FIG. 1;
 FIG. 6 is a perspective view of the design shown in FIG. 1;
 FIG. 7 is a front view of a second embodiment of a coil component showing our new design;
 FIG. 8 is a back view of the design shown in FIG. 7;
 FIG. 9 is a left side view of the design shown in FIG. 7;
 FIG. 10 is a top view of the design shown in FIG. 7;
 FIG. 11 is a bottom view of the design shown in FIG. 7; and,
 FIG. 12 is a perspective view of the design shown in FIG. 7.

A right side view of the design according to the first embodiment is symmetrical to FIG. 3, and is not illustrated.
 A right side view of the design according to the second embodiment is symmetrical to FIG. 9, and is not illustrated.

1 Claim, 8 Drawing Sheets



(56)

References Cited

U.S. PATENT DOCUMENTS

9,305,695 B2 4/2016 Karasek et al.
 D762,576 S 8/2016 Komaya et al.
 D790,468 S 6/2017 Kokura
 D798,814 S 10/2017 Takagi et al.
 D816,033 S 4/2018 Komaya et al.
 D842,248 S * 3/2019 Komaya D13/117
 D842,249 S * 3/2019 Komaya D13/117
 D842,250 S * 3/2019 Komaya D13/117
 D850,379 S * 6/2019 Komaya D13/117
 D918,835 S * 5/2021 Asai D13/117
 D920,911 S * 6/2021 Moriya D13/117
 D921,586 S * 6/2021 Asai D13/117
 D921,587 S * 6/2021 Moriya D13/117
 11,133,130 B2 * 9/2021 Kawahara H01F 27/2823
 11,139,626 B2 * 10/2021 Sato H01F 27/29
 2002/0101319 A1 8/2002 Komiya
 2005/0237141 A1 10/2005 Hirai et al.
 2009/0144967 A1 6/2009 Hasu et al.
 2010/0109827 A1 5/2010 Asou et al.
 2012/0074899 A1 3/2012 Tsai et al.
 2013/0049914 A1 2/2013 Huang et al.
 2014/0292463 A1 10/2014 Lai et al.
 2016/0155561 A1 6/2016 Takagi et al.
 2018/0061557 A1 3/2018 Yang
 2018/0096782 A1 4/2018 Miyamoto et al.
 2018/0137969 A1 5/2018 Hamamura et al.
 2020/0227195 A1 * 7/2020 Ho H01F 27/29
 2020/0265985 A1 * 8/2020 Miyamoto H01F 27/292
 2021/0280359 A1 * 9/2021 Yoshino H01F 27/2823

* cited by examiner

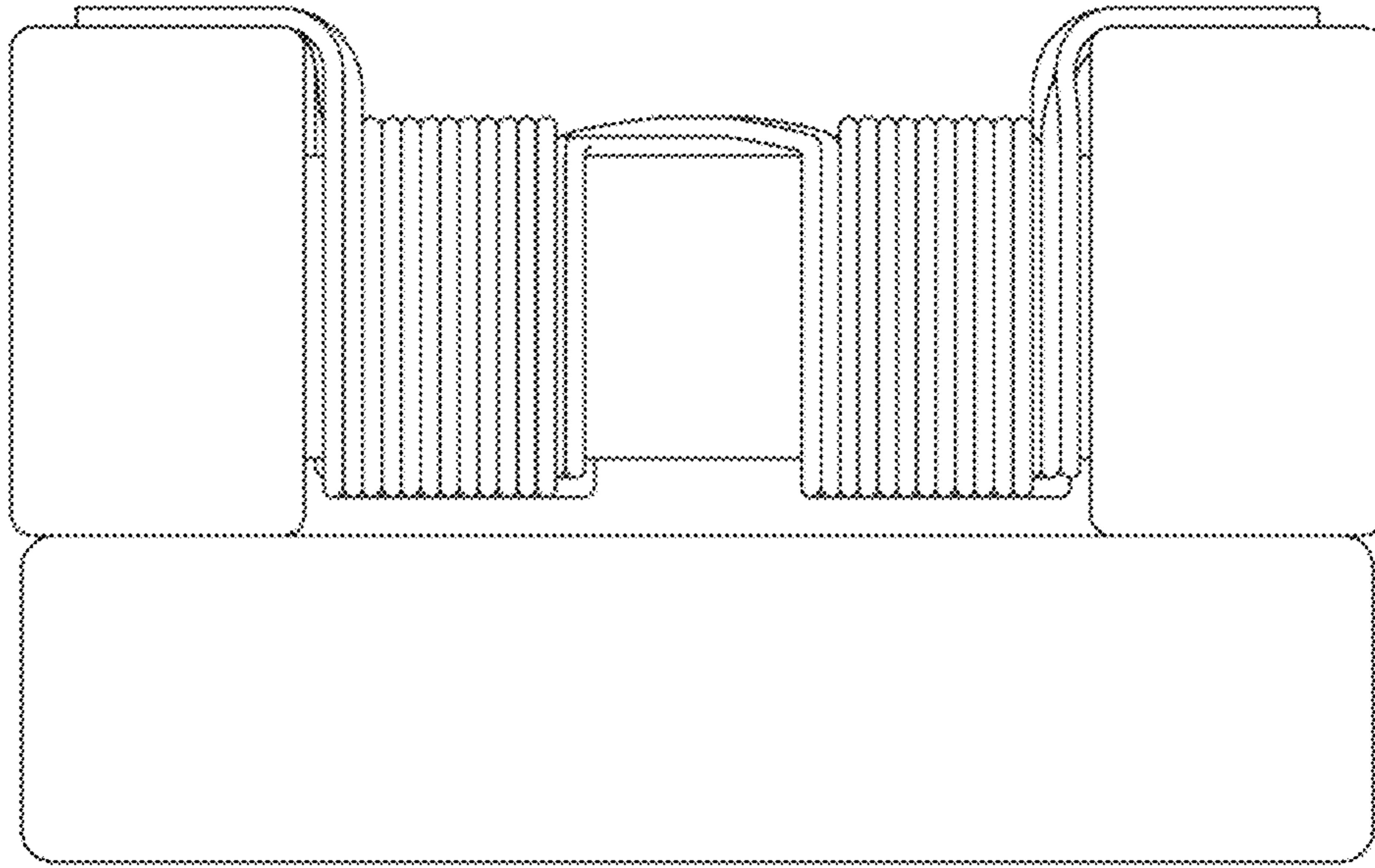


FIG. 1

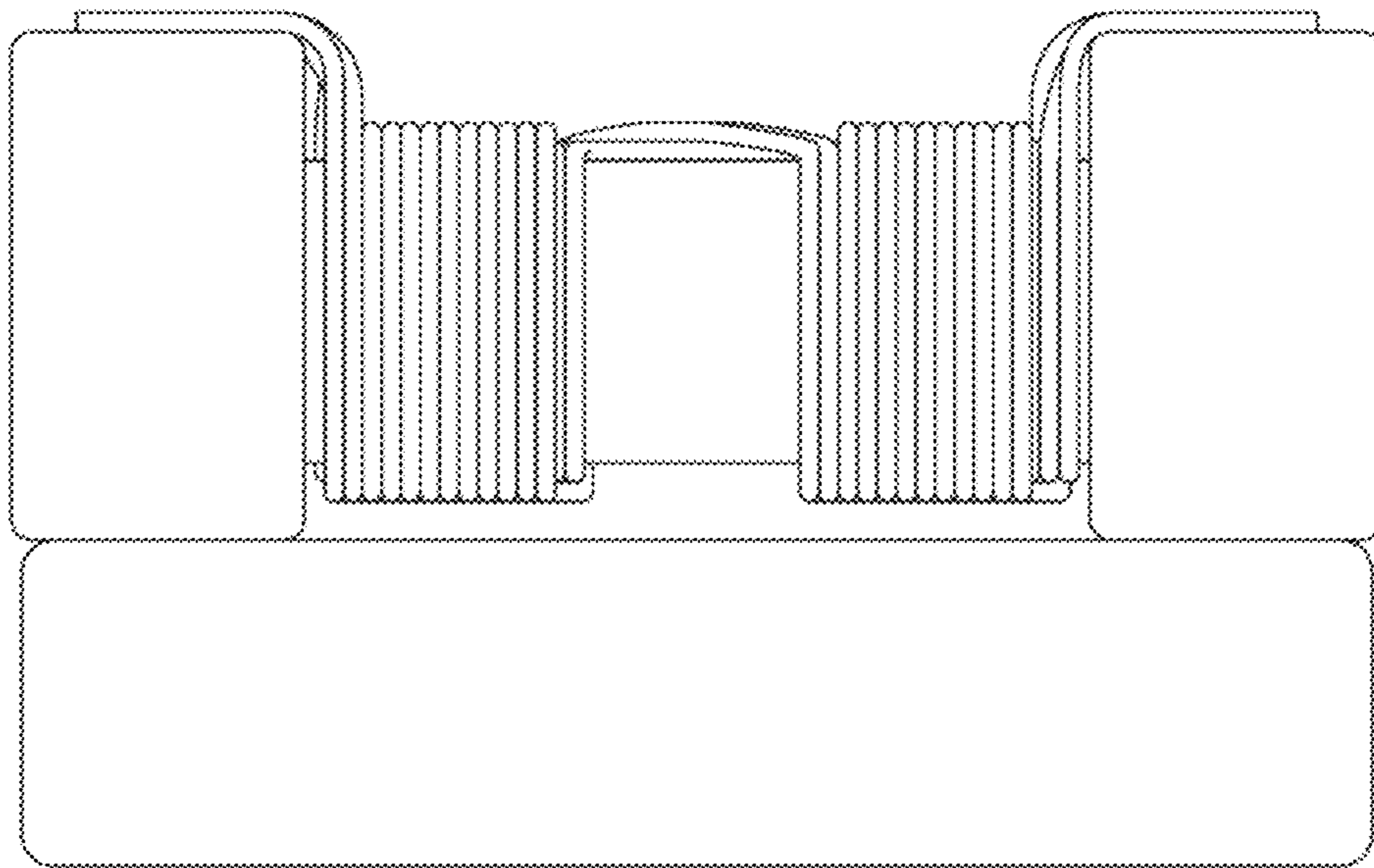


FIG. 2

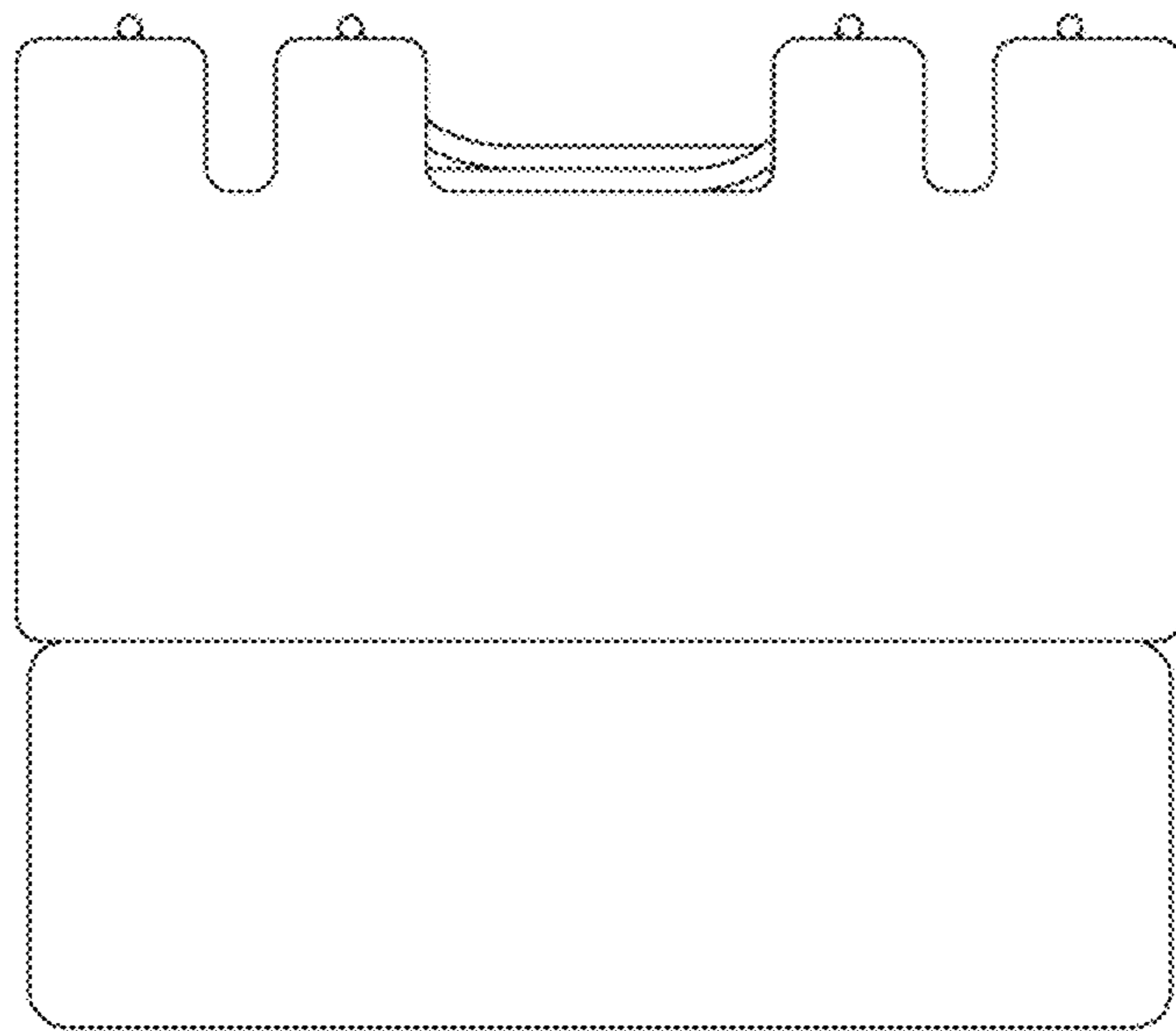


FIG. 3

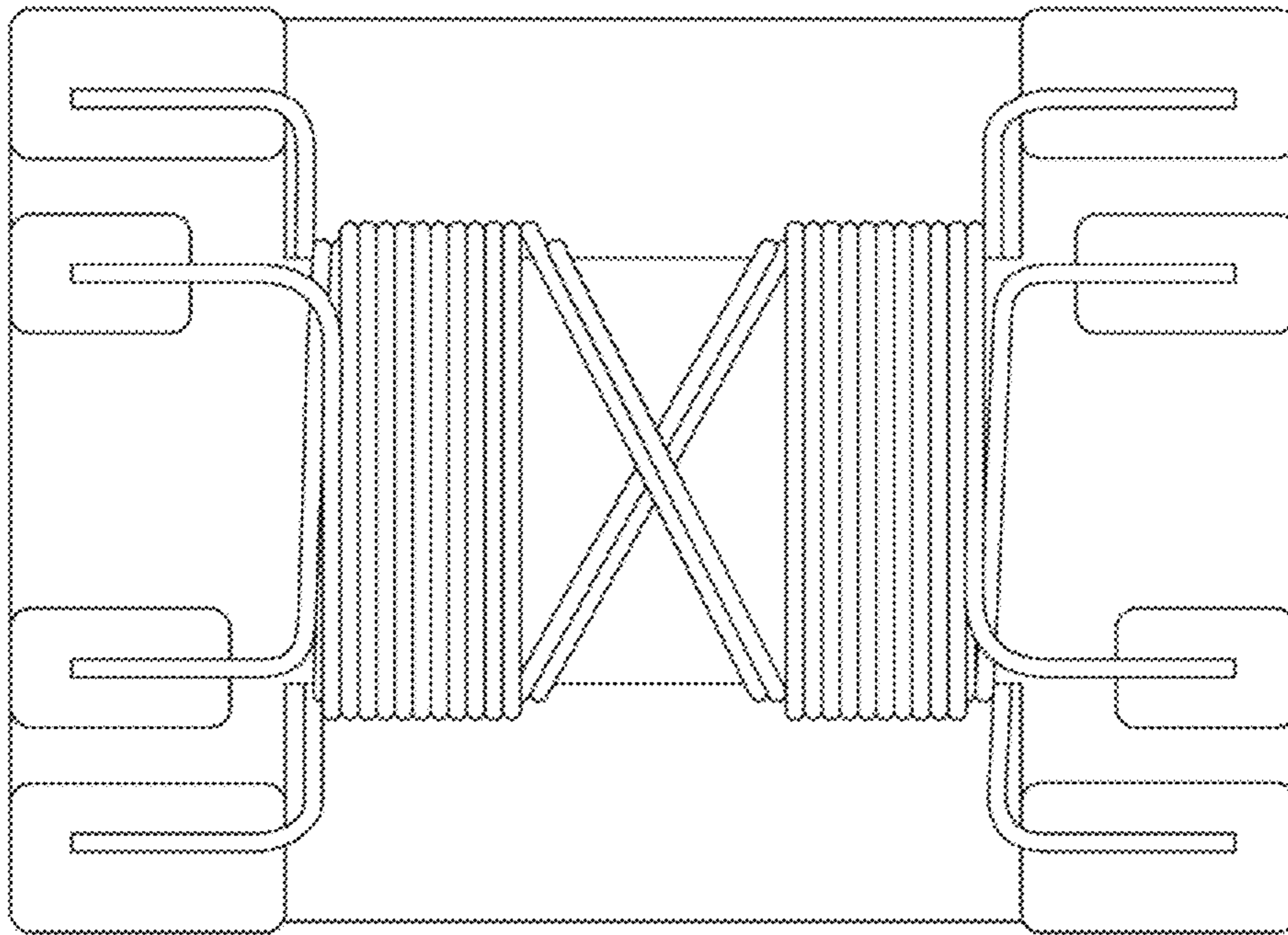


FIG. 4

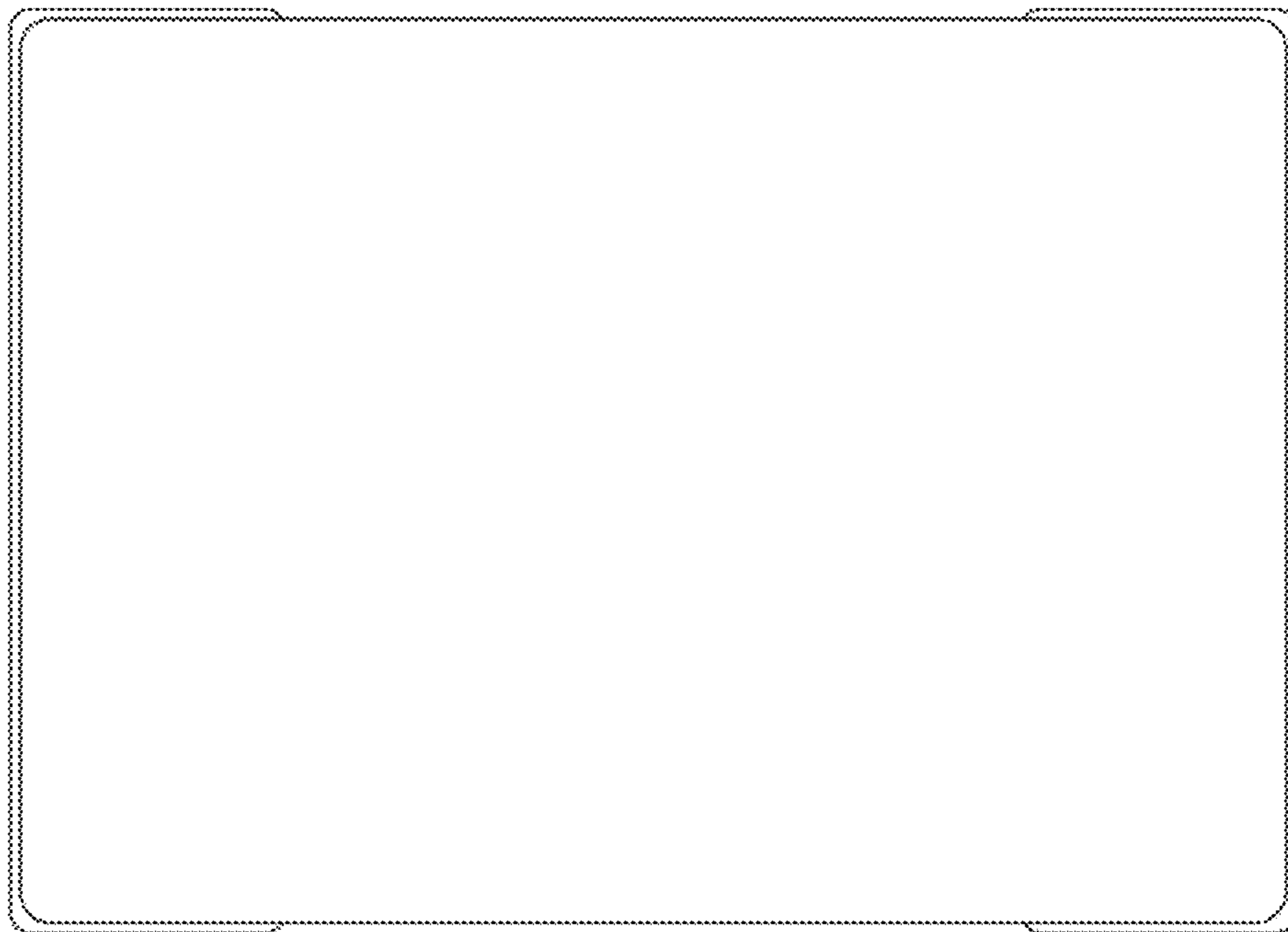


FIG. 5

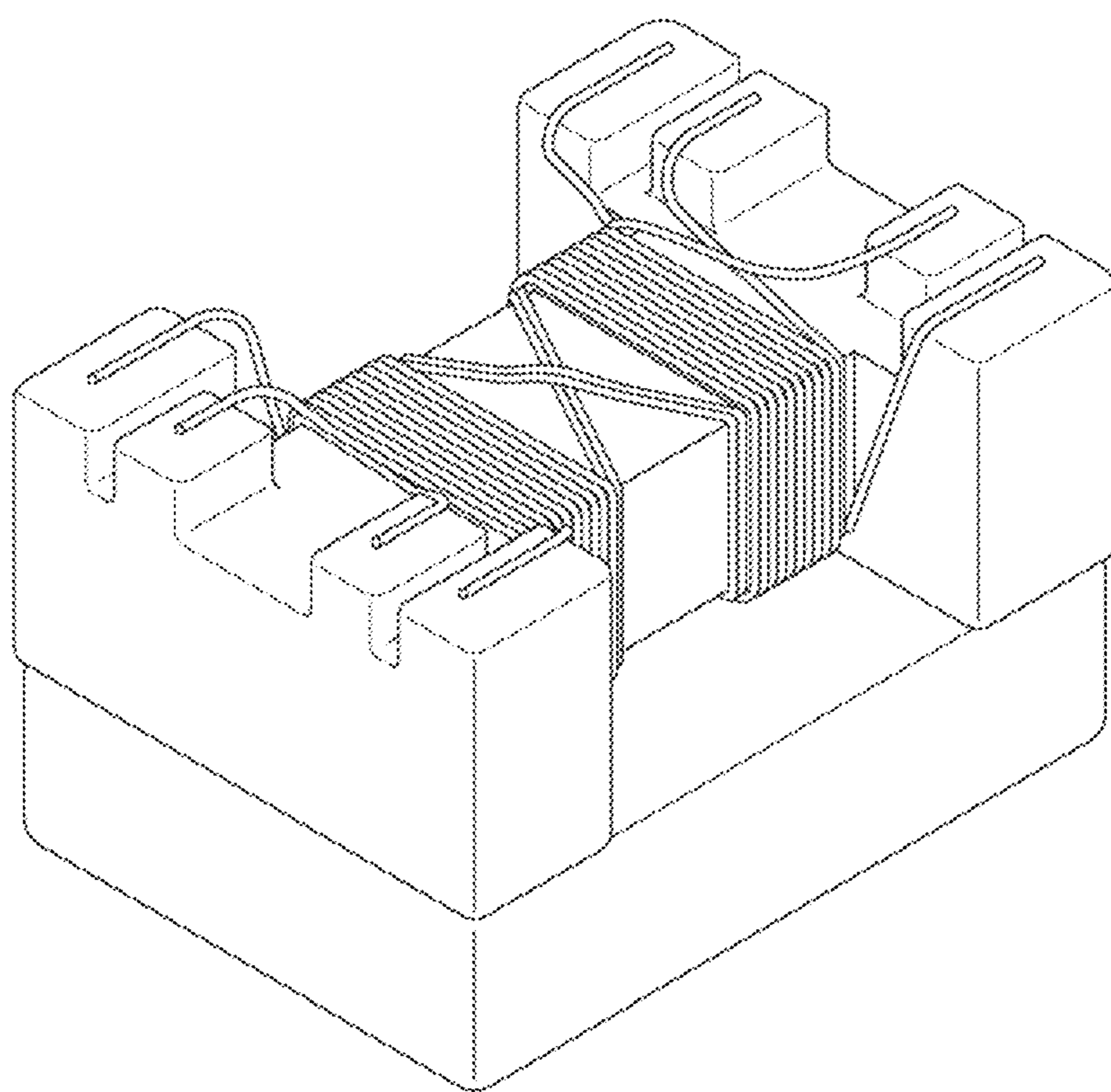


FIG. 6

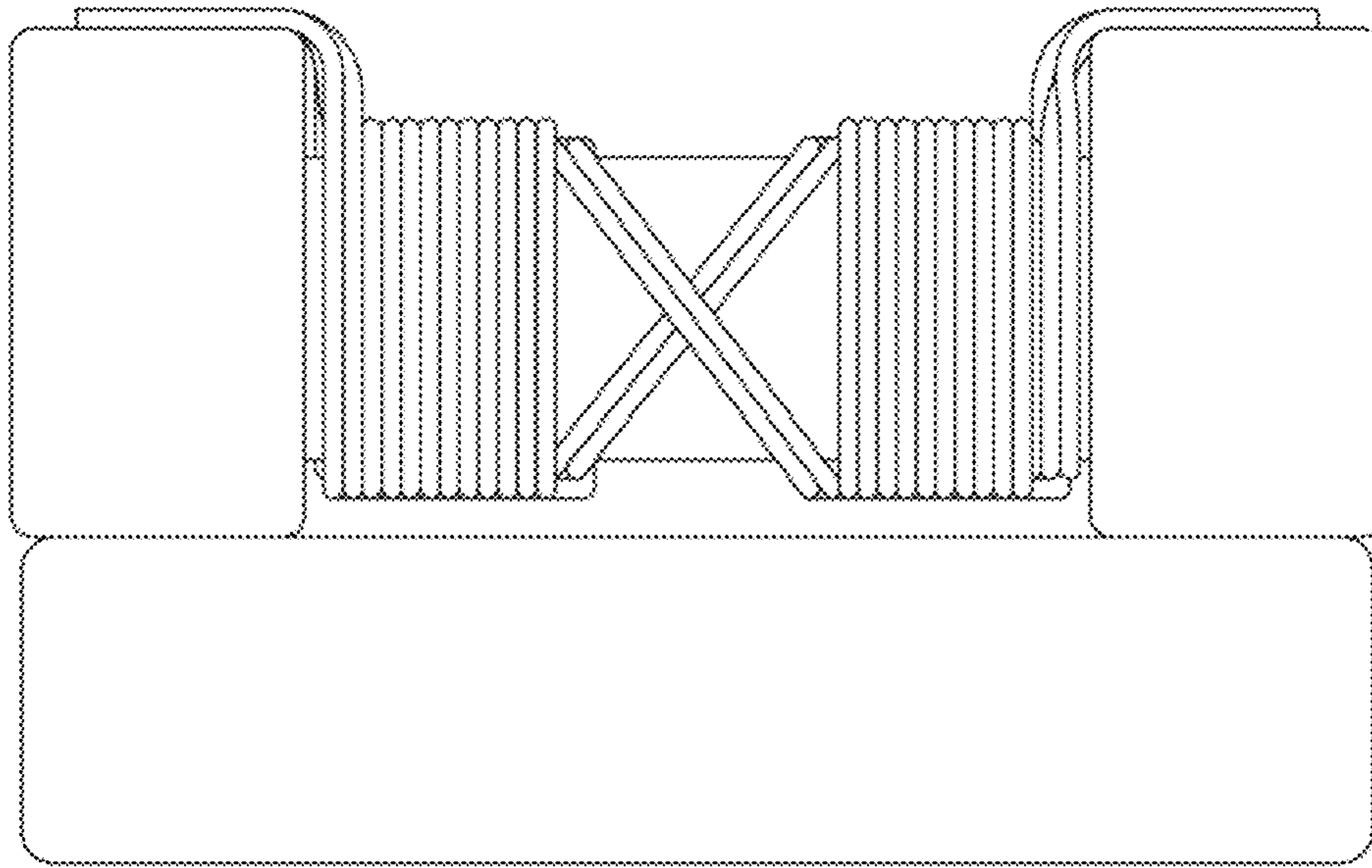


FIG. 7

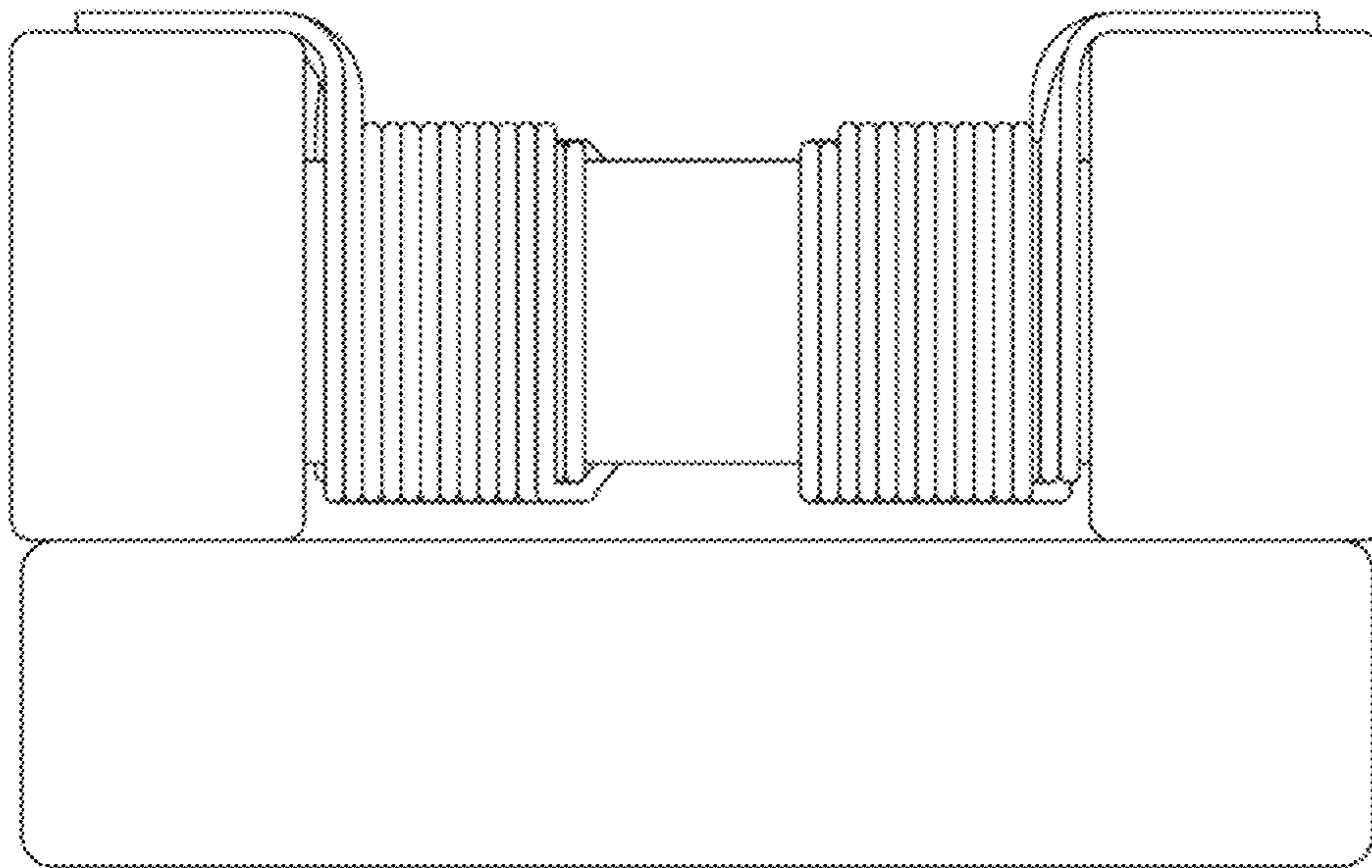


FIG. 8

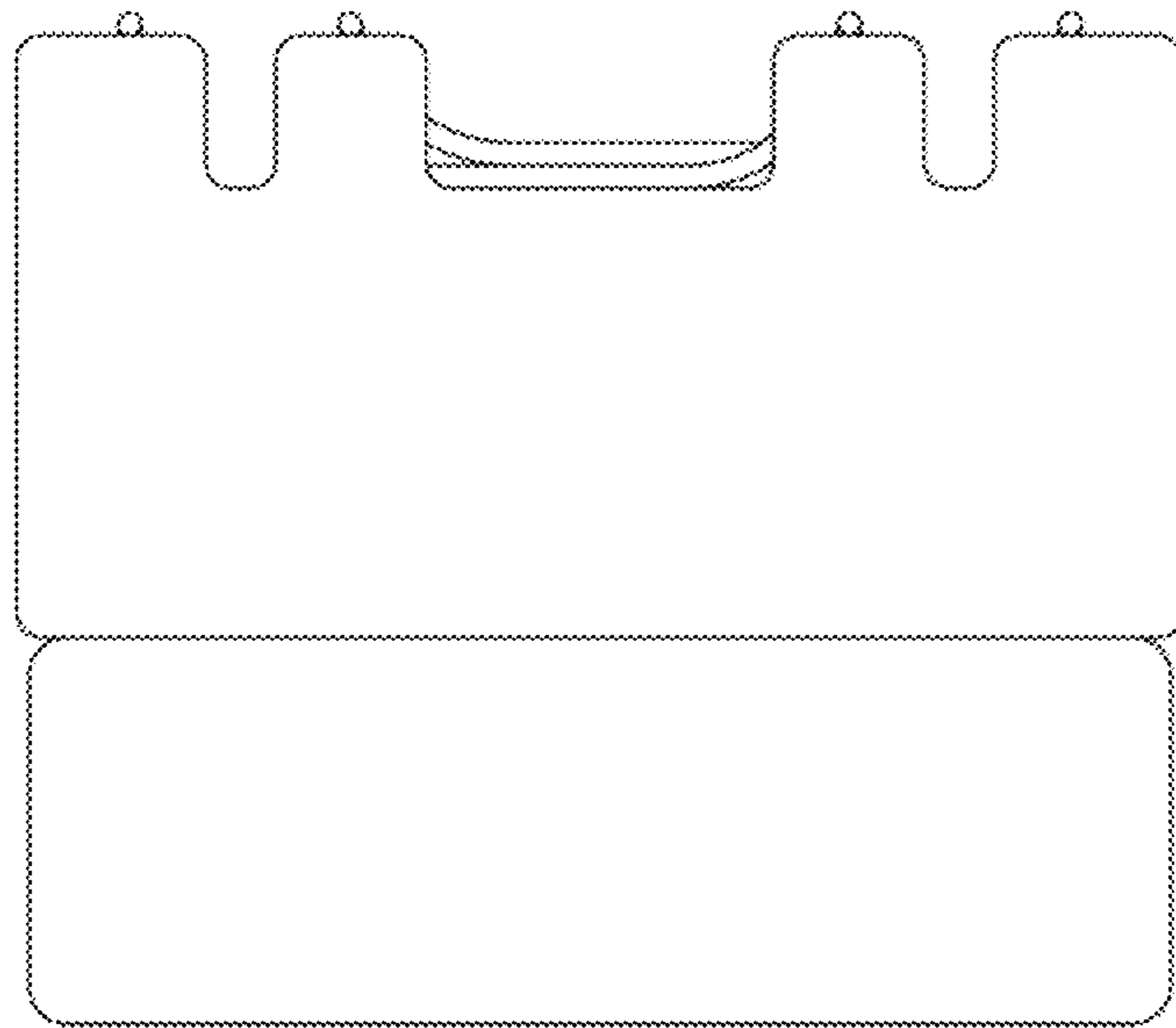


FIG. 9

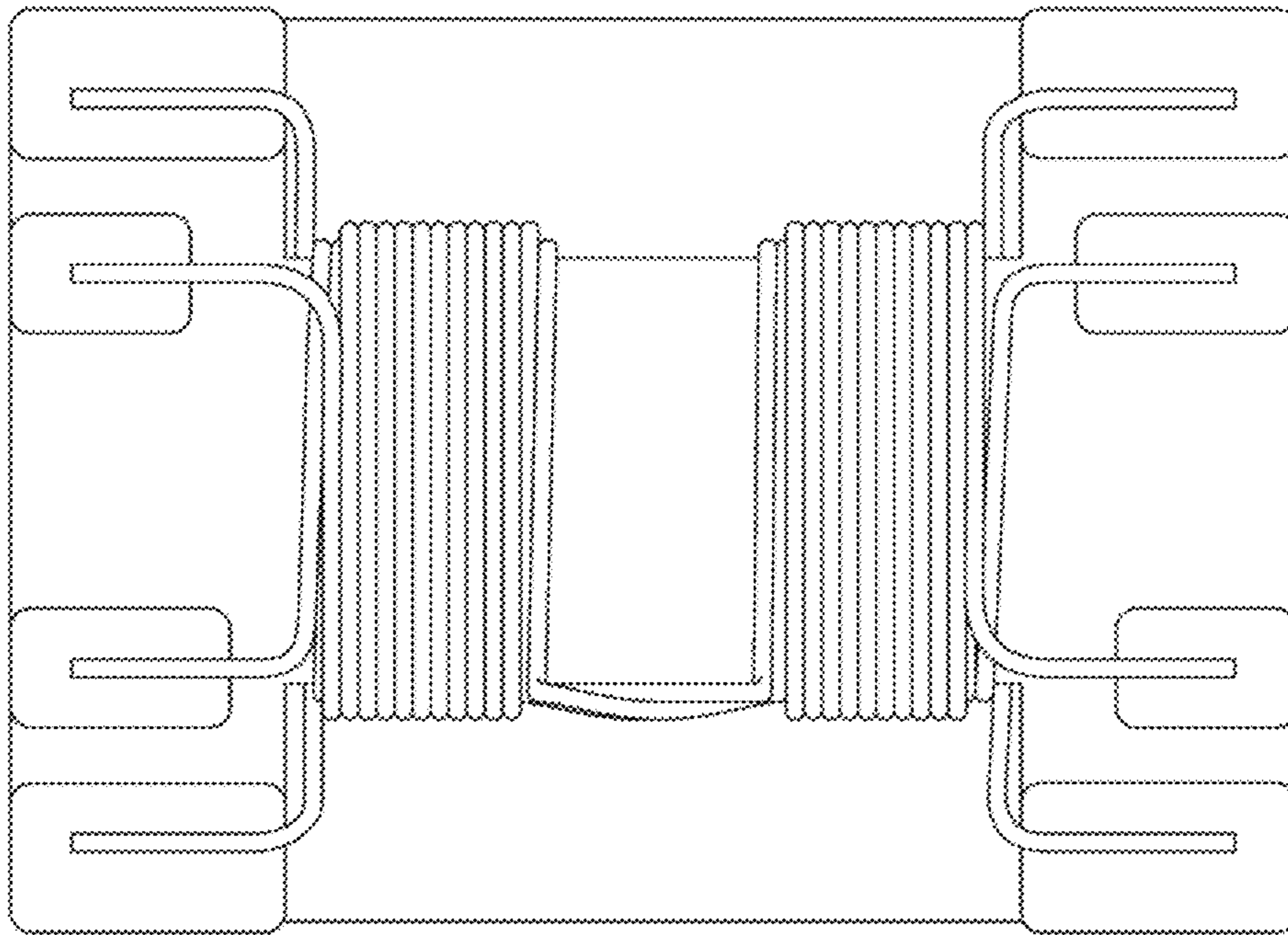


FIG. 10

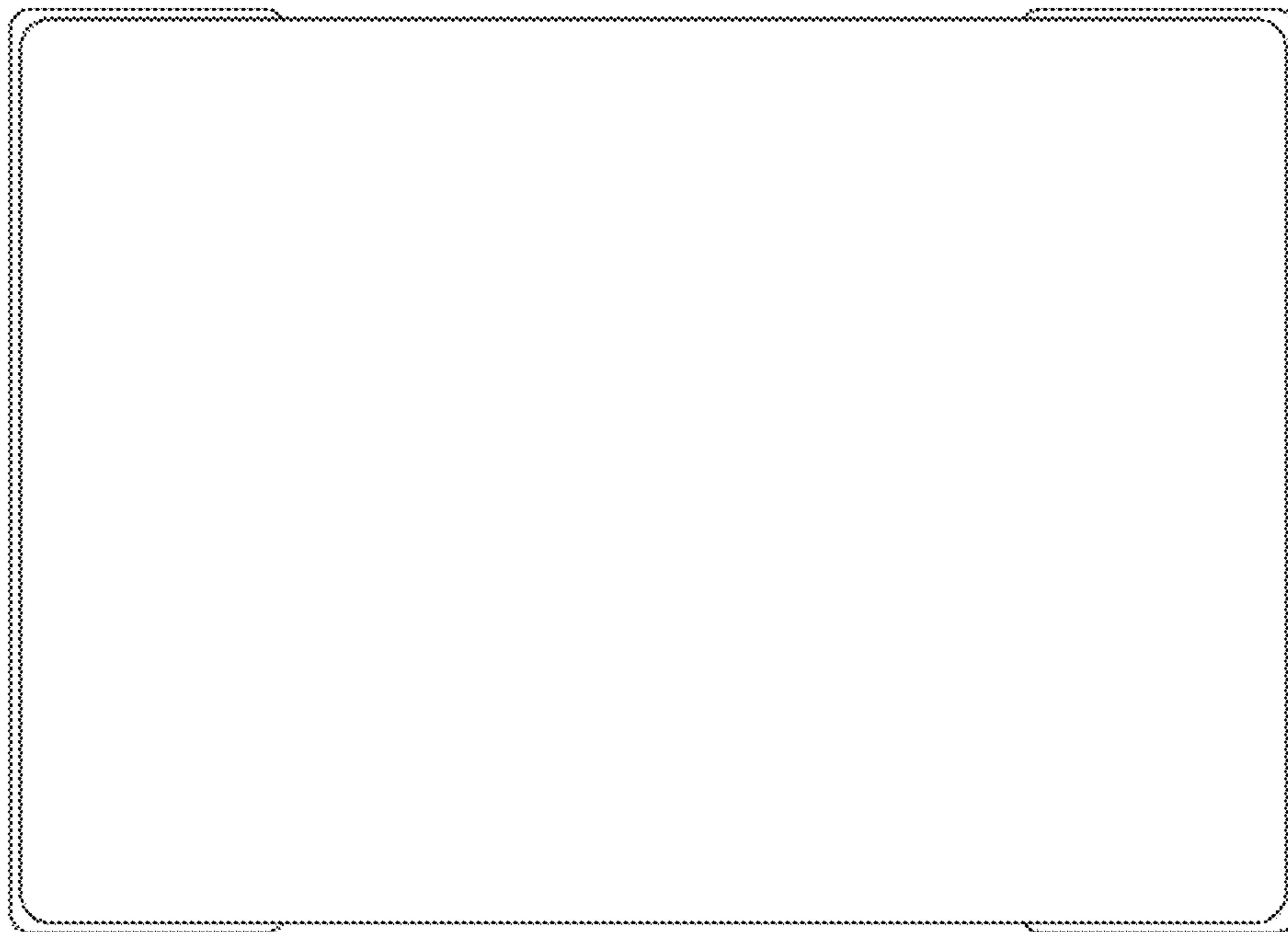


FIG. 11

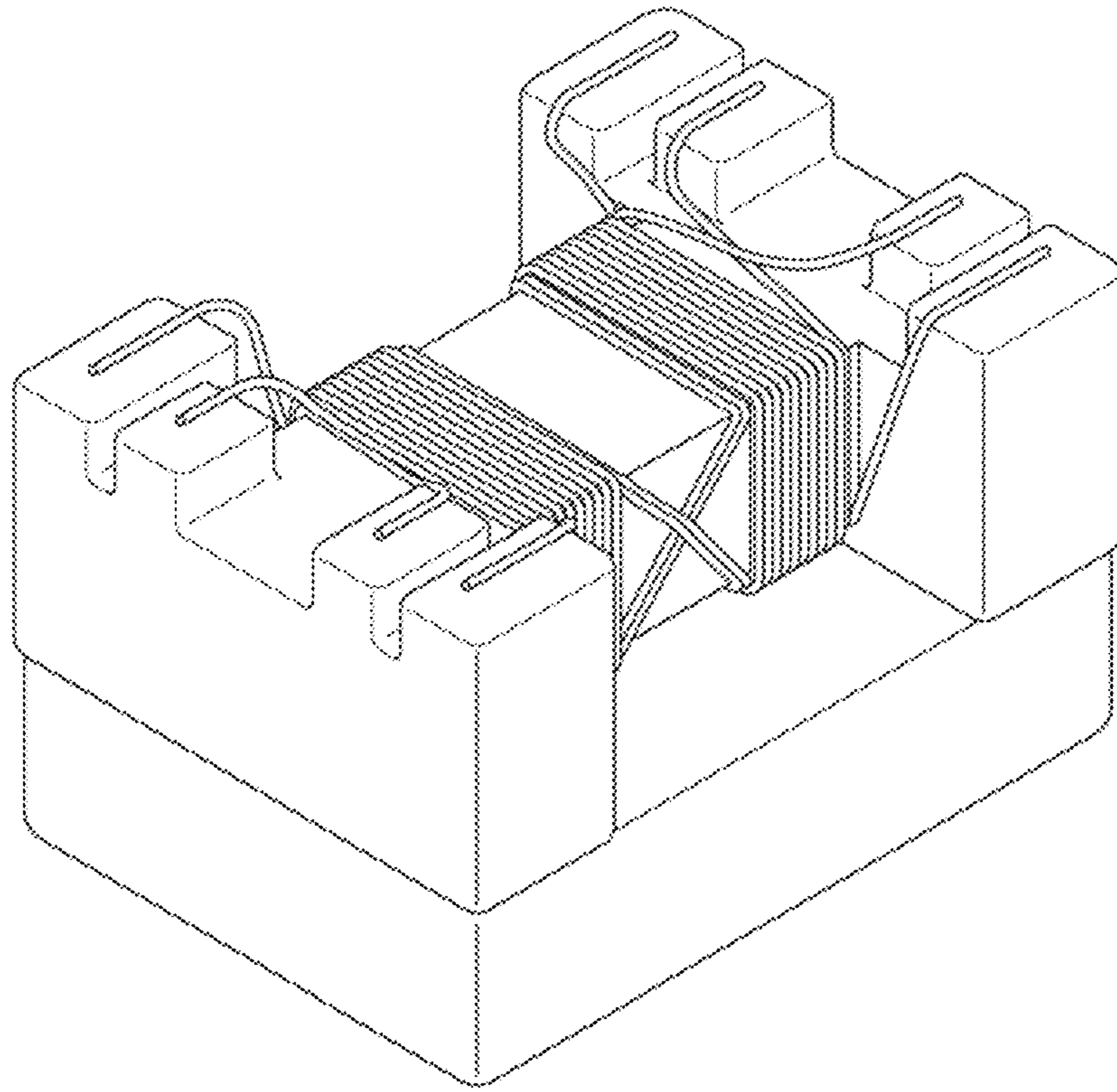


FIG. 12