



US00D942945S

(12) **United States Design Patent** (10) **Patent No.:** **US D942,945 S**
Park (45) **Date of Patent:** **** Feb. 8, 2022**

(54) **WIRELESS MOBILE PHONE CHARGER FOR VEHICLE**

(71) Applicant: **LG ELECTRONICS INC.**, Seoul (KR)

(72) Inventor: **Sangmin Park**, Seoul (KR)

(73) Assignee: **LG ELECTRONICS INC.**, Seoul (KR)

(**) Term: **15 Years**

(21) Appl. No.: **35/509,156**

(22) Filed: **Oct. 23, 2019**

(80) **Hague Agreement Data**

Int. Filing Date: **Oct. 23, 2019**

Int. Reg. No.: **DM/206752**

Int. Reg. Date: **Oct. 23, 2019**

Int. Reg. Pub. Date: **Apr. 24, 2020**

(30) **Foreign Application Priority Data**

Apr. 29, 2019 (KR) 30-2019-0020161

(51) **LOC (13) Cl.** **13-02**

(52) **U.S. Cl.**
USPC **D13/108**

(58) **Field of Classification Search**

USPC D13/108, 107, 110, 118; D14/434, 453, D14/208

(Continued)

(56) **References Cited**

U.S. PATENT DOCUMENTS

D335,861 S * 5/1993 Tattari D13/108

D399,821 S * 10/1998 Tyneski D13/118

(Continued)

OTHER PUBLICATIONS

“Seneo Qi wireless charging stand” found on the internet by RMS reference dated Apr. 9, 2021 at—<https://www.androidcentral.com/best-wireless-charging-pads-lg-v30>.*

(Continued)

Primary Examiner — Rhea Shields

(74) *Attorney, Agent, or Firm* — Birch, Stewart, Kolasch & Birch, LLP

(57) **CLAIM**

The ornamental design for a wireless mobile phone charger for vehicle, as shown and described.

DESCRIPTION

1. Wireless mobile phone charger for vehicle

1.1 : Perspective

1.2 : Front

1.3 : Back

1.4 : Left

1.5 : Right

1.6 : Top

1.7 : Bottom

1.8 : Perspective

1.9 : Front

1.10 : Back

1.11 : Left

1.12 : Right

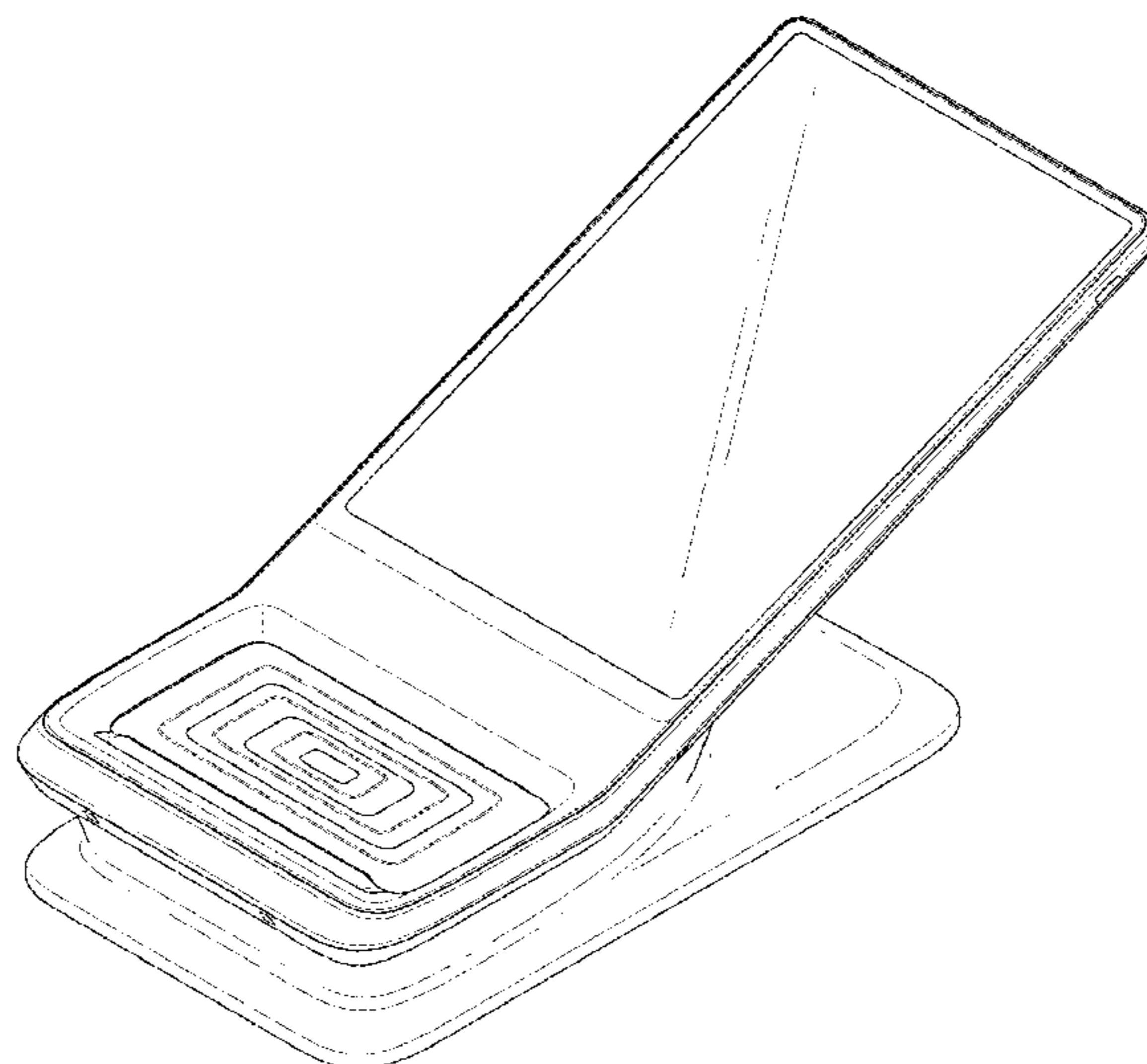
1.13 : Top

1.14 : Bottom

1.15 : Another perspective view shown in an environment.

In 1.1 through 1.14 the broken lines are for the purpose of illustrating portions of the wireless mobile phone charger for vehicle that forms no part of the claimed design. In 1.15 the broken lines are intended to show environment only and forms no part of the claimed design; the reproduction 1.1 to 1.7 are indicating before change; the reproductions 1.8 to 1.14 are after change for adjusting angle of charger pad; reproduction 1.15 is a perspective view showing a state of use.

1 Claim, 15 Drawing Sheets



(58) **Field of Classification Search**

CPC H02J 7/0044
See application file for complete search history.

(56) **References Cited**

U.S. PATENT DOCUMENTS

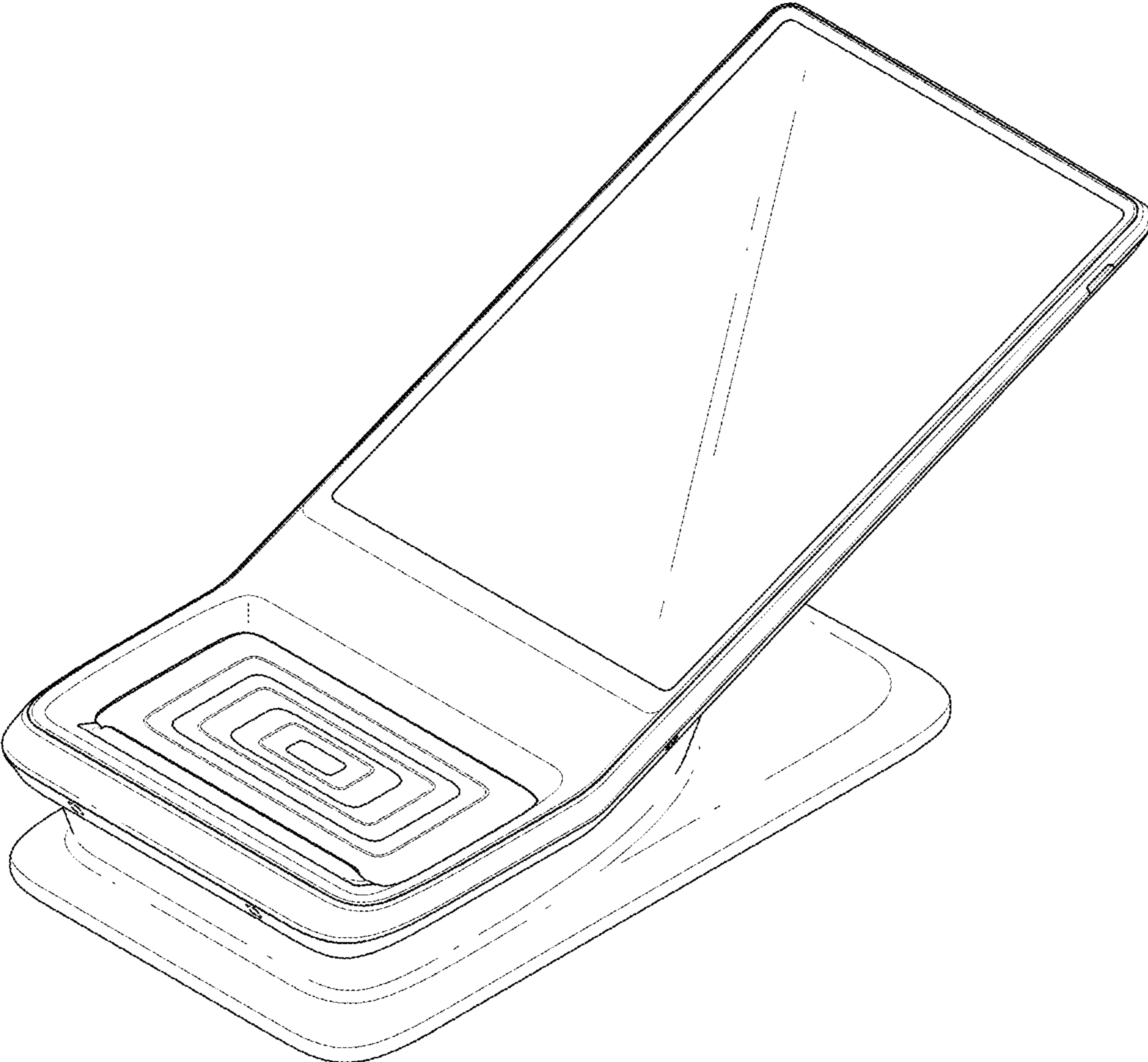
| | | | | | | |
|-----------|----|---|---------|---------|-------|-------------|
| D535,942 | S | * | 1/2007 | Kim | | D13/108 |
| D611,900 | S | * | 3/2010 | Yang | | D13/108 |
| 7,923,964 | B2 | * | 4/2011 | Lin | | H02J 7/0044 |
| | | | | | | 320/115 |
| D642,123 | S | * | 7/2011 | Joung | | D13/108 |
| D645,819 | S | * | 9/2011 | Lin | | D13/118 |
| D645,820 | S | * | 9/2011 | Lin | | D13/118 |
| D666,145 | S | * | 8/2012 | Kim | | D13/108 |
| D746,262 | S | * | 12/2015 | Barker | | D14/208 |
| D757,732 | S | * | 5/2016 | Galanti | | D14/453 |
| D851,587 | S | * | 6/2019 | Schmidt | | D13/108 |
| D859,415 | S | * | 9/2019 | Liao | | D14/434 |
| D872,688 | S | * | 1/2020 | Nazar | | D13/108 |
| D887,352 | S | * | 6/2020 | Cushing | | D13/108 |
| D893,415 | S | * | 8/2020 | McSweyn | | D13/108 |
| D897,956 | S | * | 10/2020 | Yang | | D13/108 |
| D906,959 | S | * | 1/2021 | Turksu | | D13/108 |
| D911,946 | S | * | 3/2021 | Turksu | | D13/108 |
| D911,951 | S | * | 3/2021 | Yang | | D13/108 |
| D911,955 | S | * | 3/2021 | Turksu | | D13/108 |

OTHER PUBLICATIONS

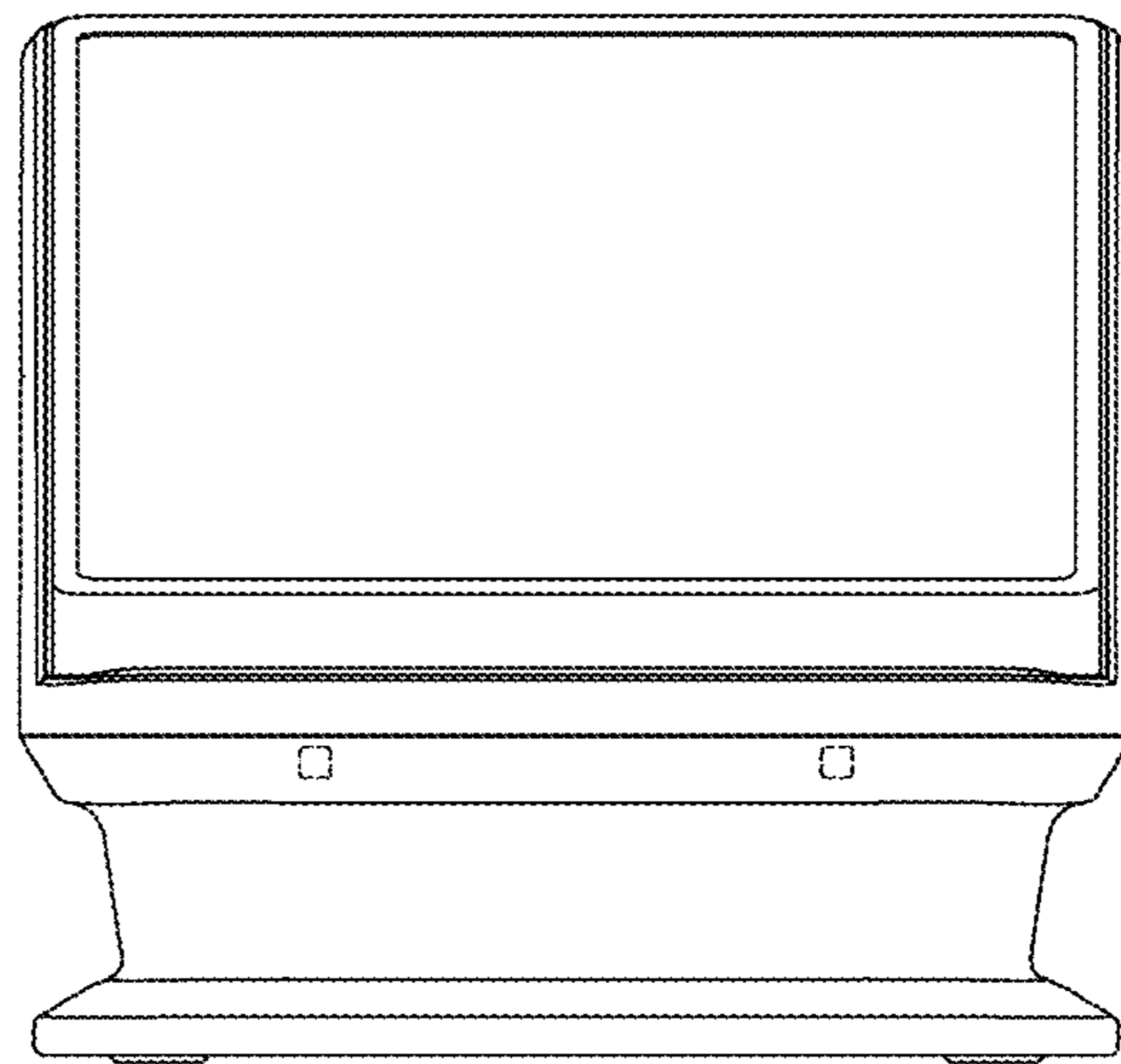
“LG G7 ThinQ . . .” found on the internet by RMS reference dated Apr. 9, 2021 at <https://www.walmart.com/ip/LG-G7-ThinQ-Compatible-10W-Fast-Charging-Folding-Wireless-Charger-Pad-Stand-3-Coils/758535360>.*

* cited by examiner

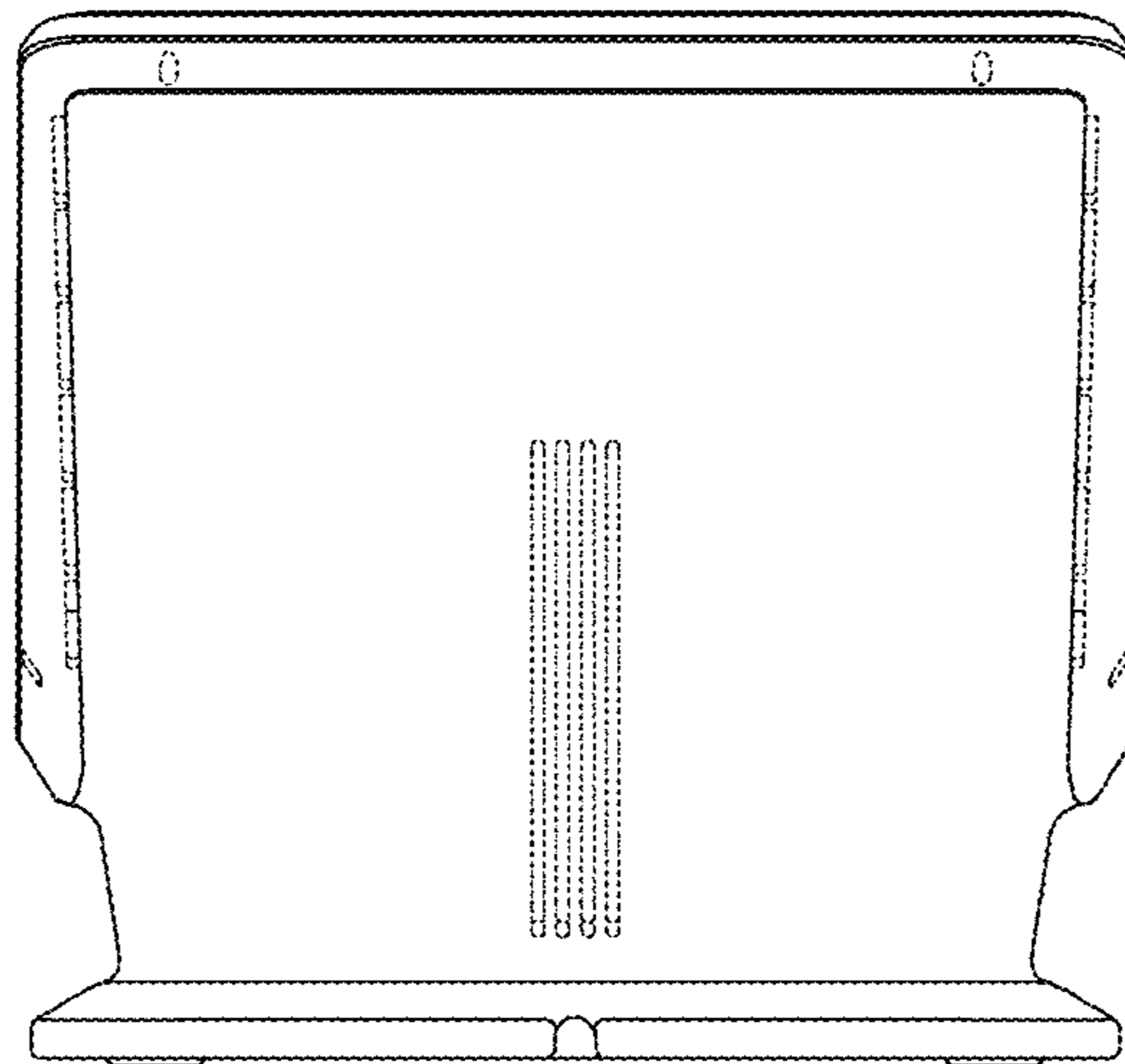
1.1



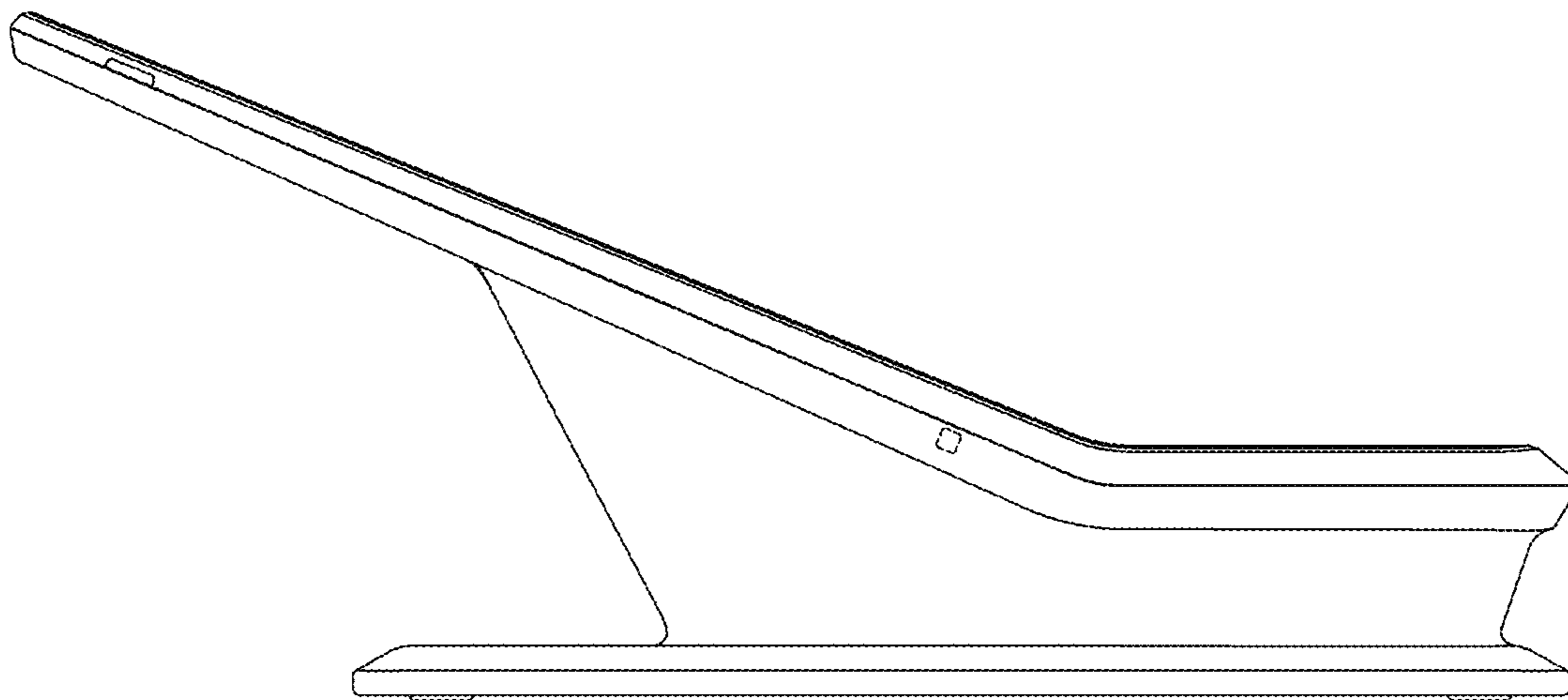
1.2



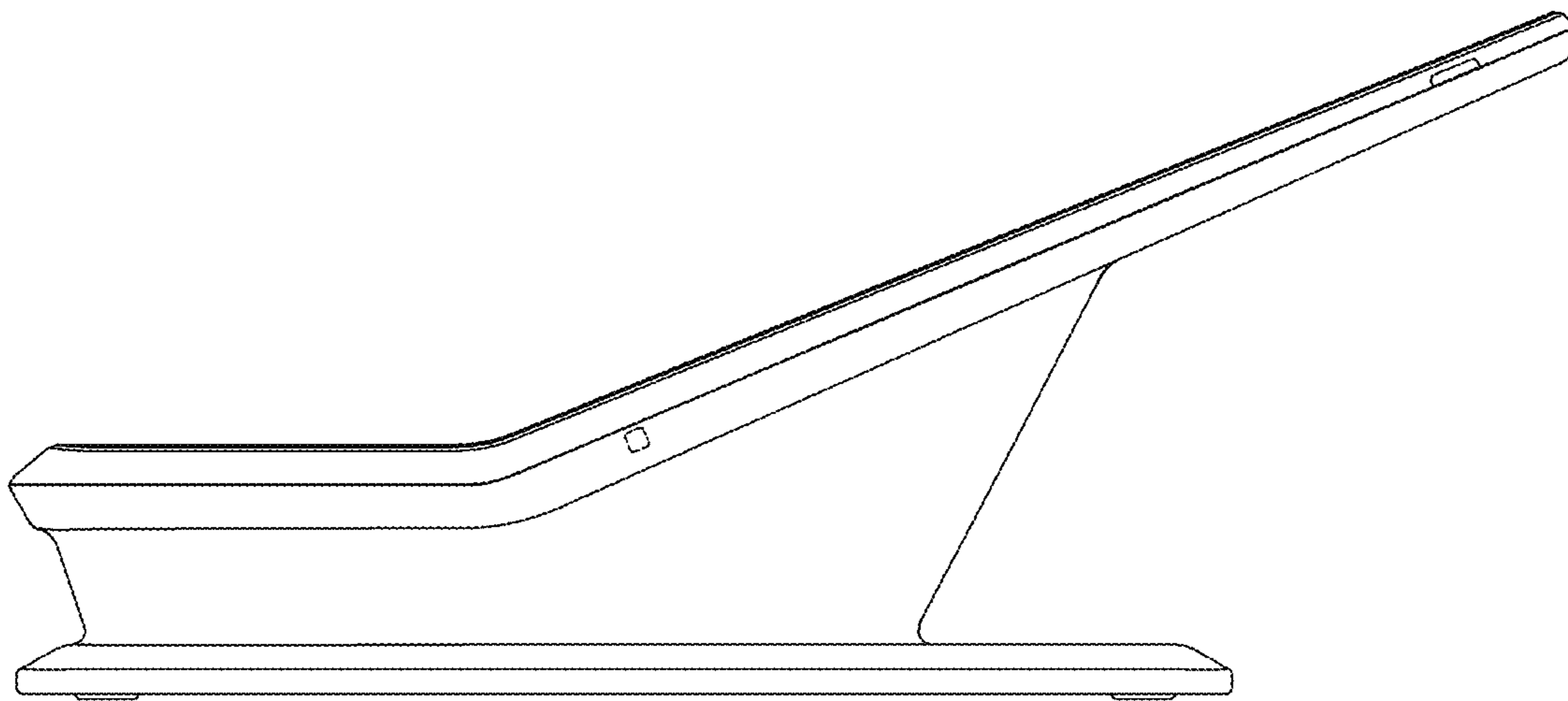
1.3



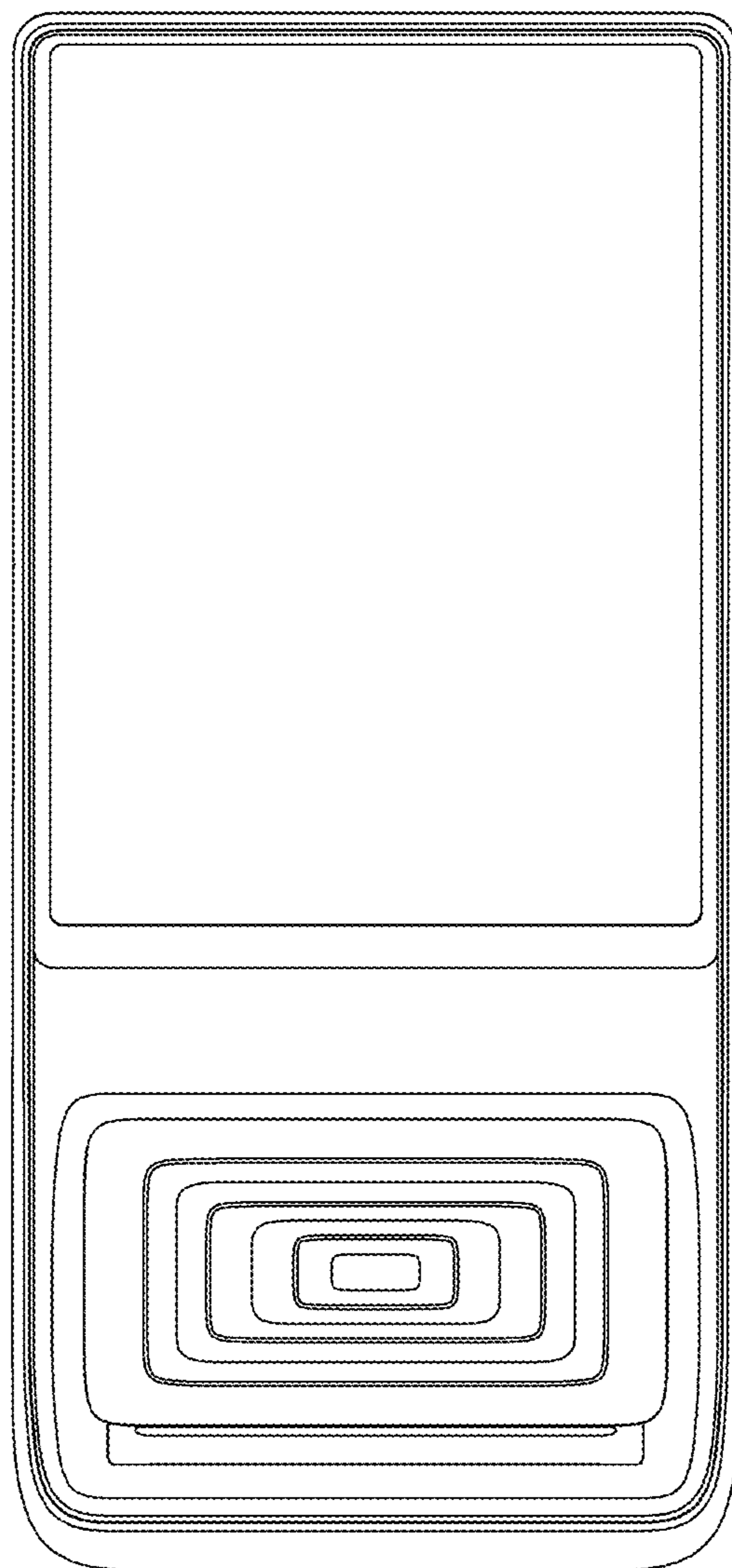
1.4



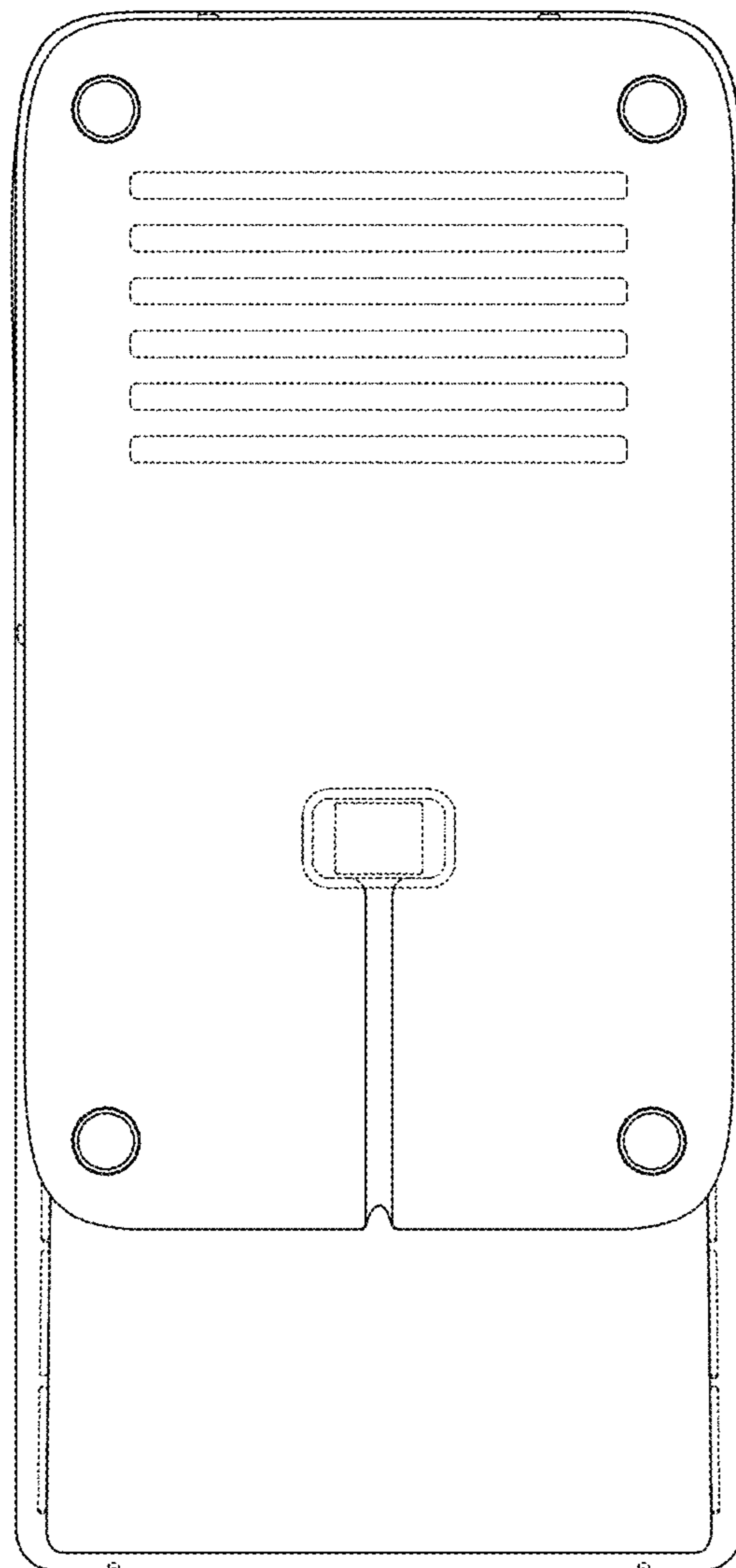
1.5



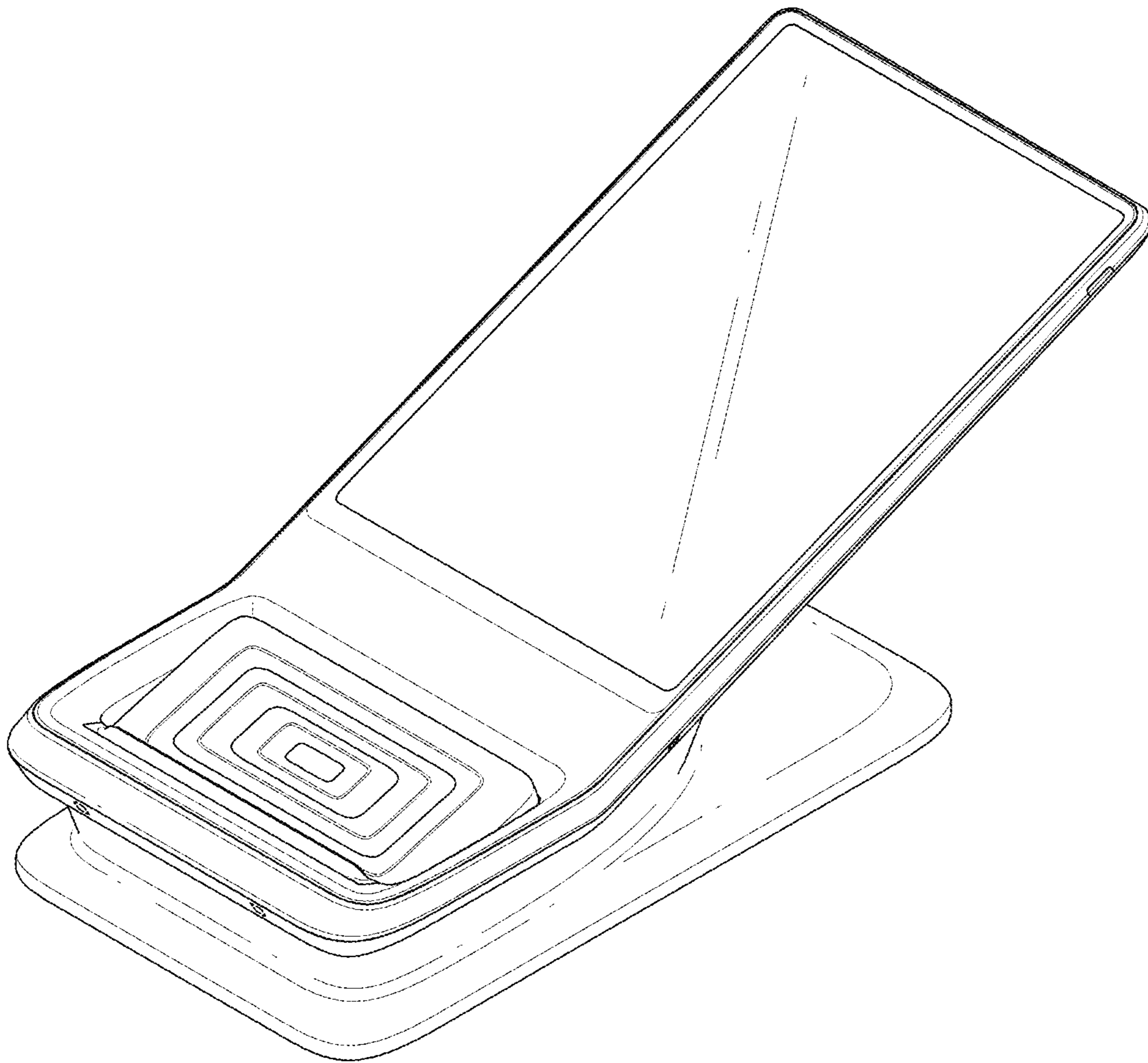
1.6



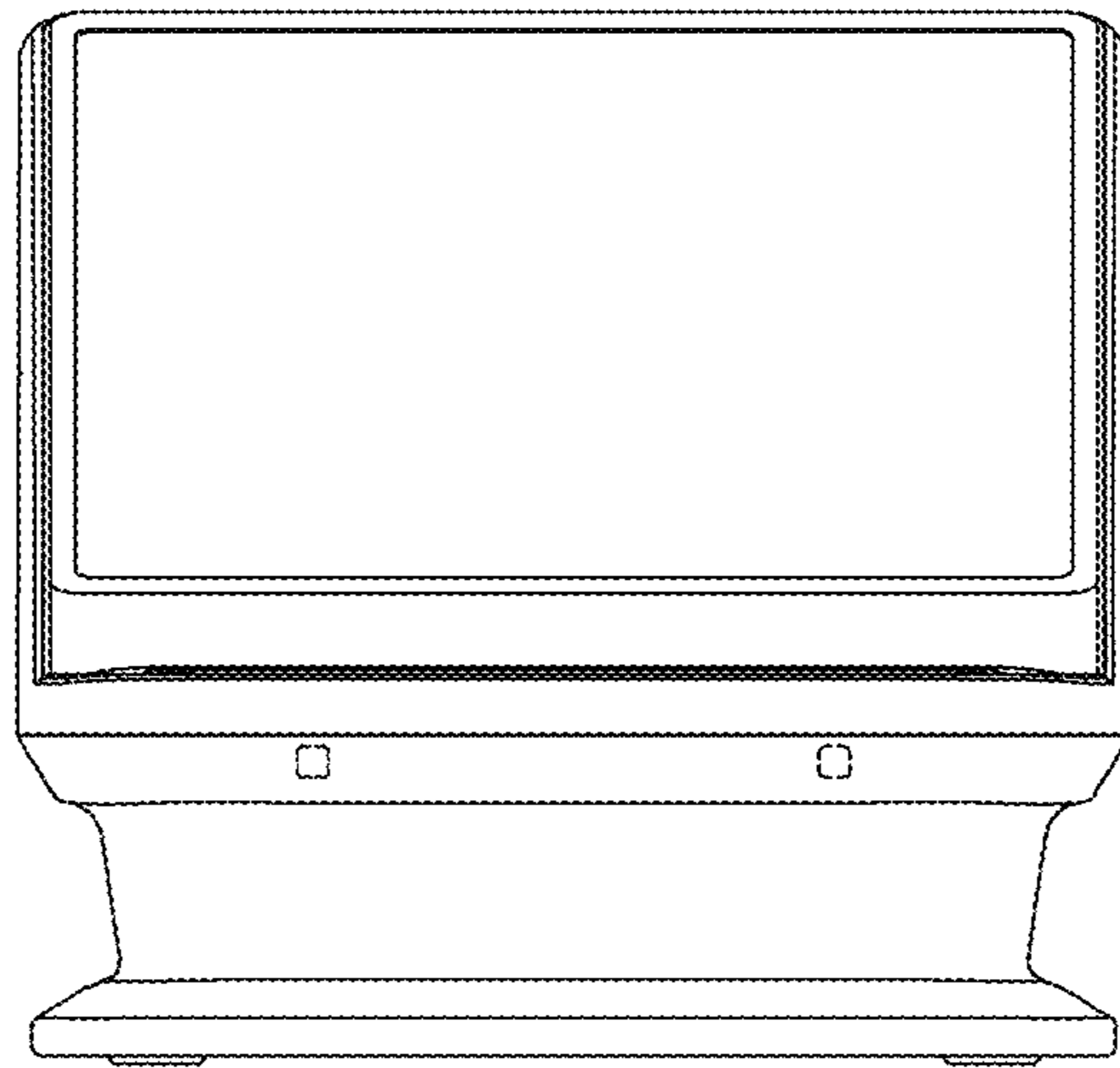
1.7



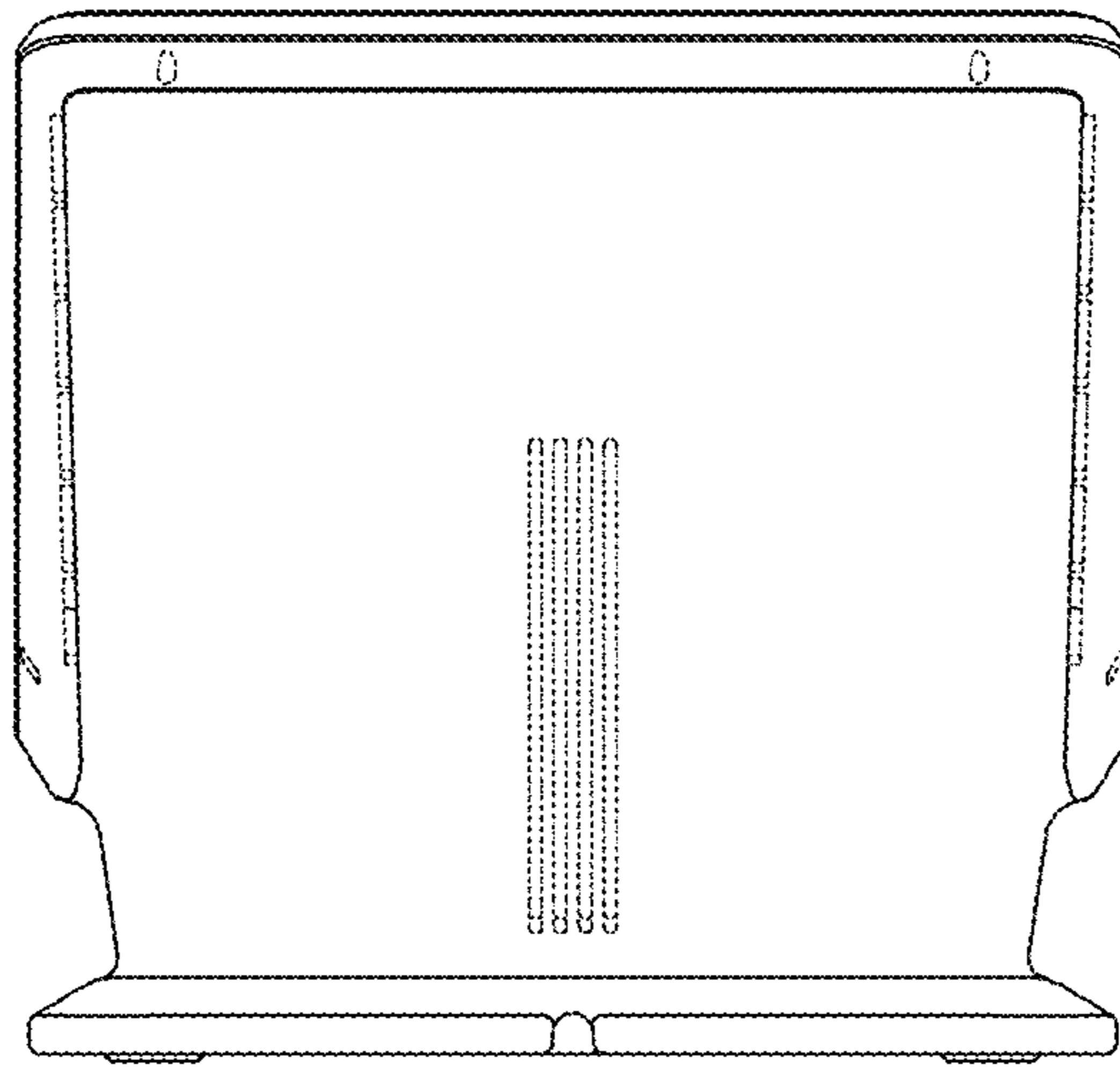
1.8



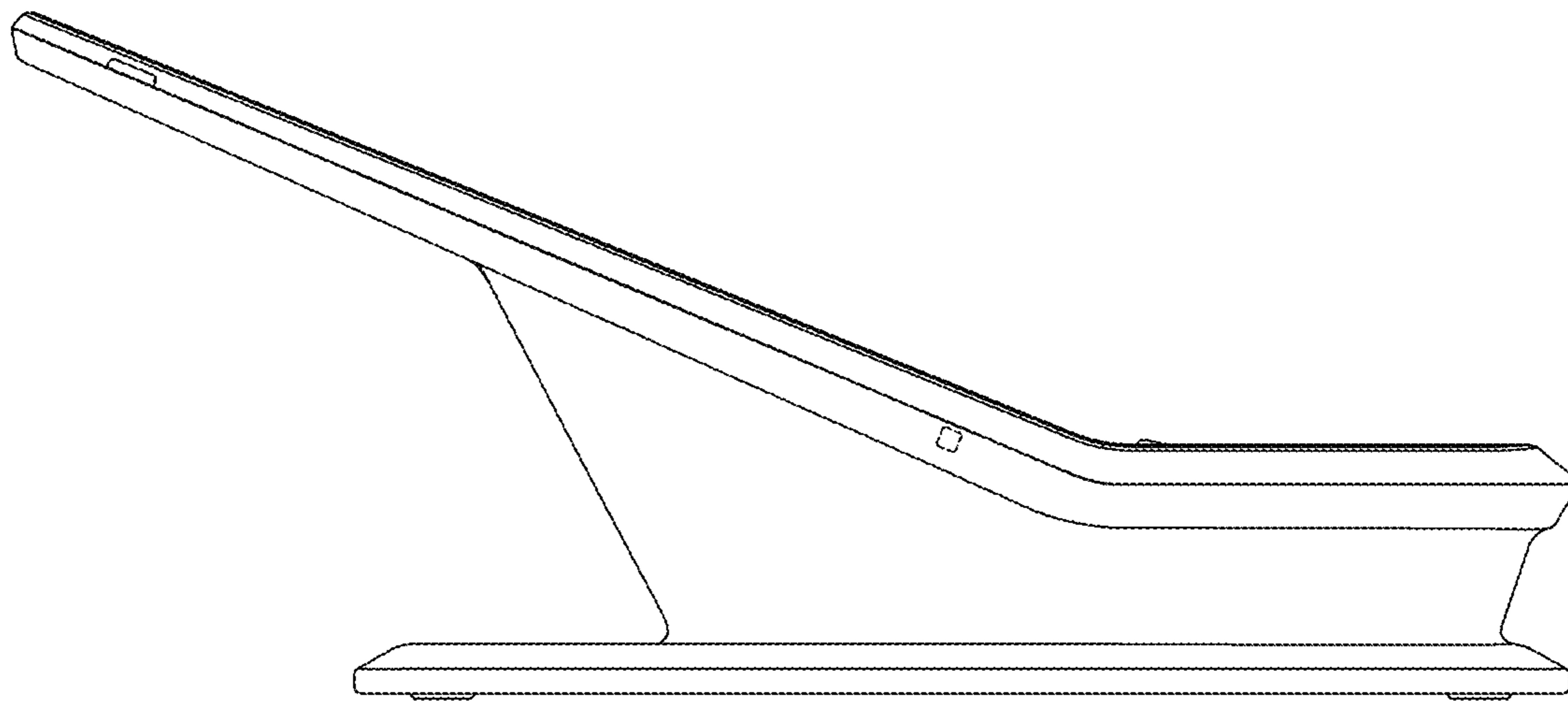
1.9



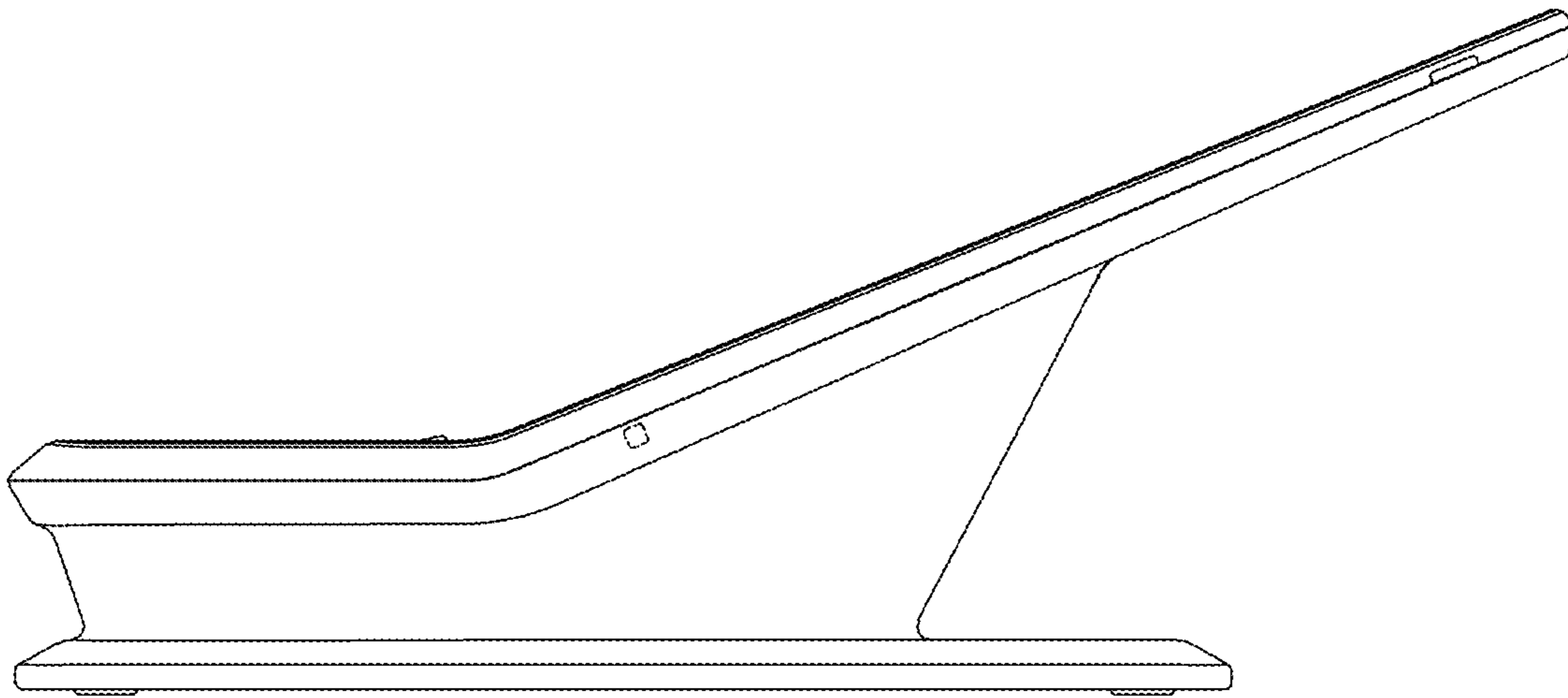
1.10



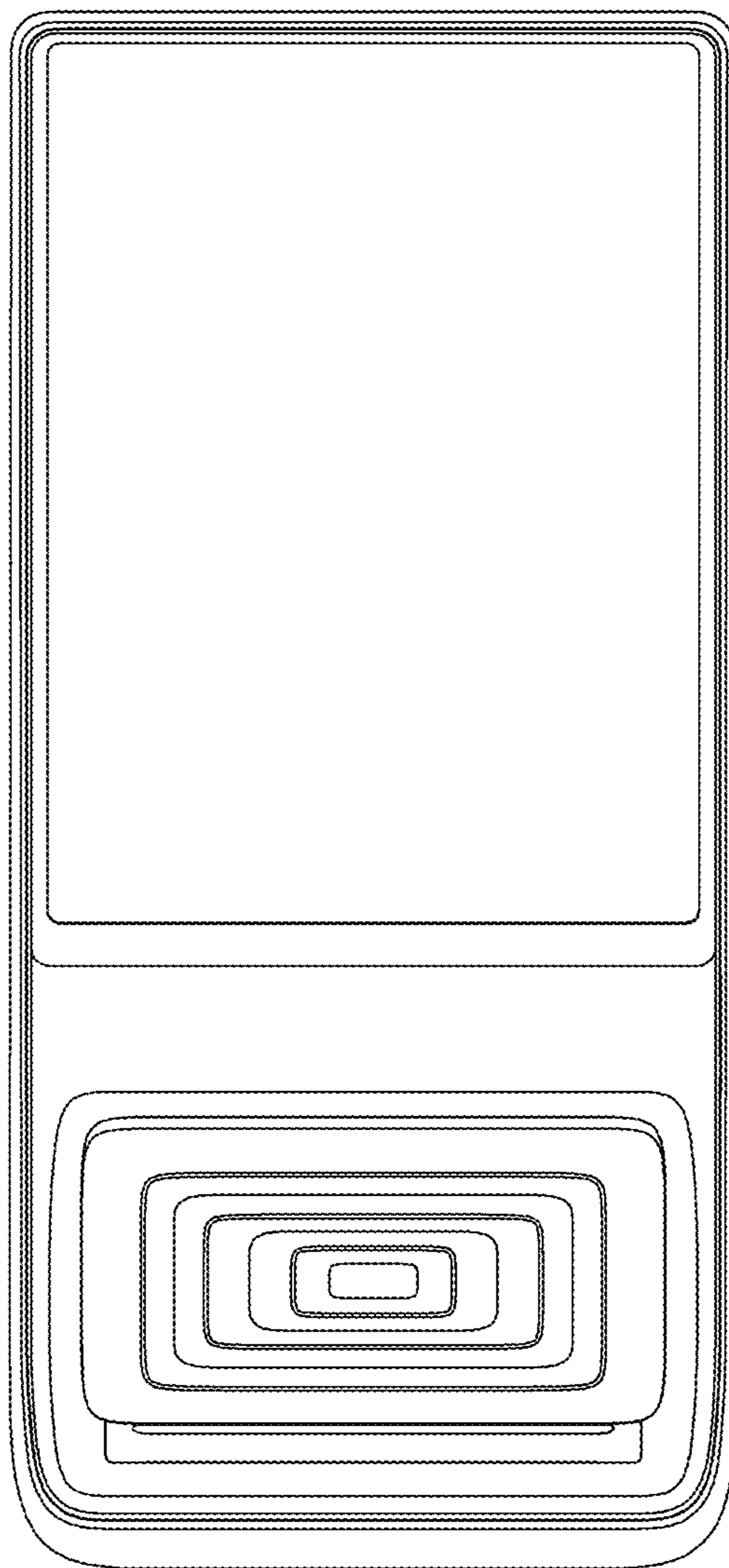
1.11



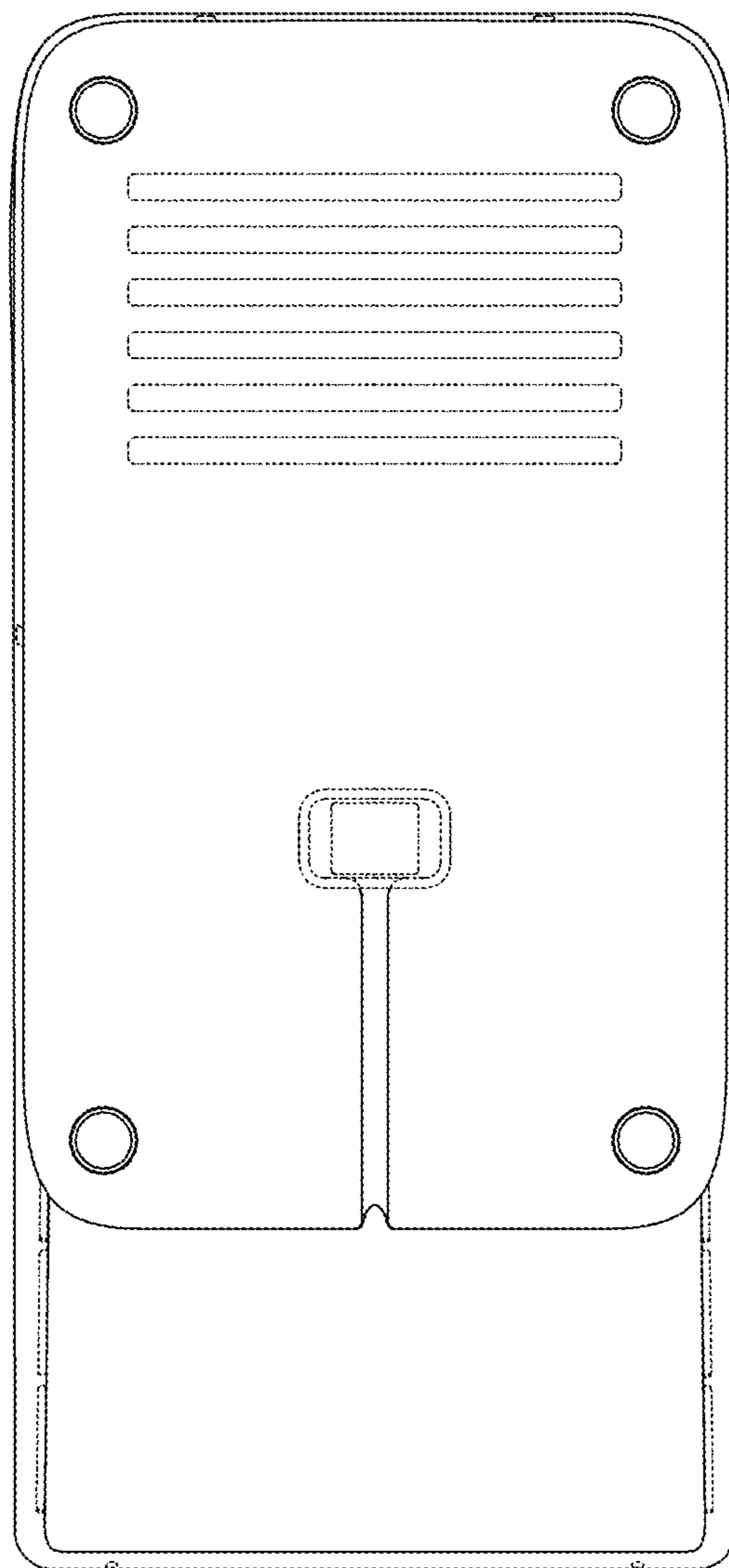
1.12



1.13



1.14



1.15

