



US00D942944S

(12) **United States Design Patent**  
**Liao**

(10) **Patent No.:** **US D942,944 S**  
(45) **Date of Patent:** **\*\* Feb. 8, 2022**

(54) **CHARGING CASE FOR WIRELESS  
EARPHONES**

2020/0084532 A1\* 3/2020 Lo ..... H02J 7/342  
2021/0283287 A1\* 9/2021 Goodman ..... A45C 11/00  
2021/0345031 A1\* 11/2021 DeMaio ..... H04R 1/02

(71) Applicant: **Guangzhou Fairy Tale Electronics  
Co., Ltd., Guangzhou (CN)**

(72) Inventor: **Minhui Liao, Changde (CN)**

(73) Assignee: **GUANGZHOU FAIRY TALE  
ELECTRONICS CO., LTD.,  
Guangzhou (CN)**

(\*\*) Term: **15 Years**

(21) Appl. No.: **29/774,109**

(22) Filed: **Mar. 15, 2021**

(51) **LOC (13) Cl.** ..... **13-02**

(52) **U.S. Cl.**  
USPC ..... **D13/108; D3/294**

(58) **Field of Classification Search**  
USPC ..... D13/103, 107, 108, 118, 119; D3/201,  
D3/207, 215, 218, 273, 294, 295;  
D14/217, 223, 432  
CPC . A45C 2011/001; B65D 43/16; H02J 7/0044;  
H02J 7/0045  
See application file for complete search history.

(56) **References Cited**

**U.S. PATENT DOCUMENTS**

D586,557 S *	2/2009	Jalet	.....	D3/294
D845,894 S *	4/2019	Clark	.....	D13/108
D853,357 S *	7/2019	Li	.....	D14/217
D873,217 S	1/2020	Zhang		
D887,351 S	6/2020	Bonahoom et al.		
10,764,699 B1 *	9/2020	Rule	.....	G10K 11/17885
D900,471 S *	11/2020	Jones	.....	D3/294
D918,138 S *	5/2021	Ma	.....	D13/108
D927,465 S *	8/2021	Wang	.....	D14/223
D929,961 S *	9/2021	Yi	.....	D14/217
D931,210 S *	9/2021	Lee	.....	D13/108
D934,563 S *	11/2021	Xiang	.....	D3/294

**OTHER PUBLICATIONS**

“Xiaomi Airdots Pro 2”. Found online Dec. 14, 2020 at amazon.com. Reference dated Jun. 19, 2019. Retrieved from <https://www.amazon.com/Wireless-Earphones-Headset-Compatible-Android/dp/B07N43DSF2>. (Year: 2019).\*

(Continued)

*Primary Examiner* — Kendra Leslie Hamilton

*Assistant Examiner* — Amanda Christensen

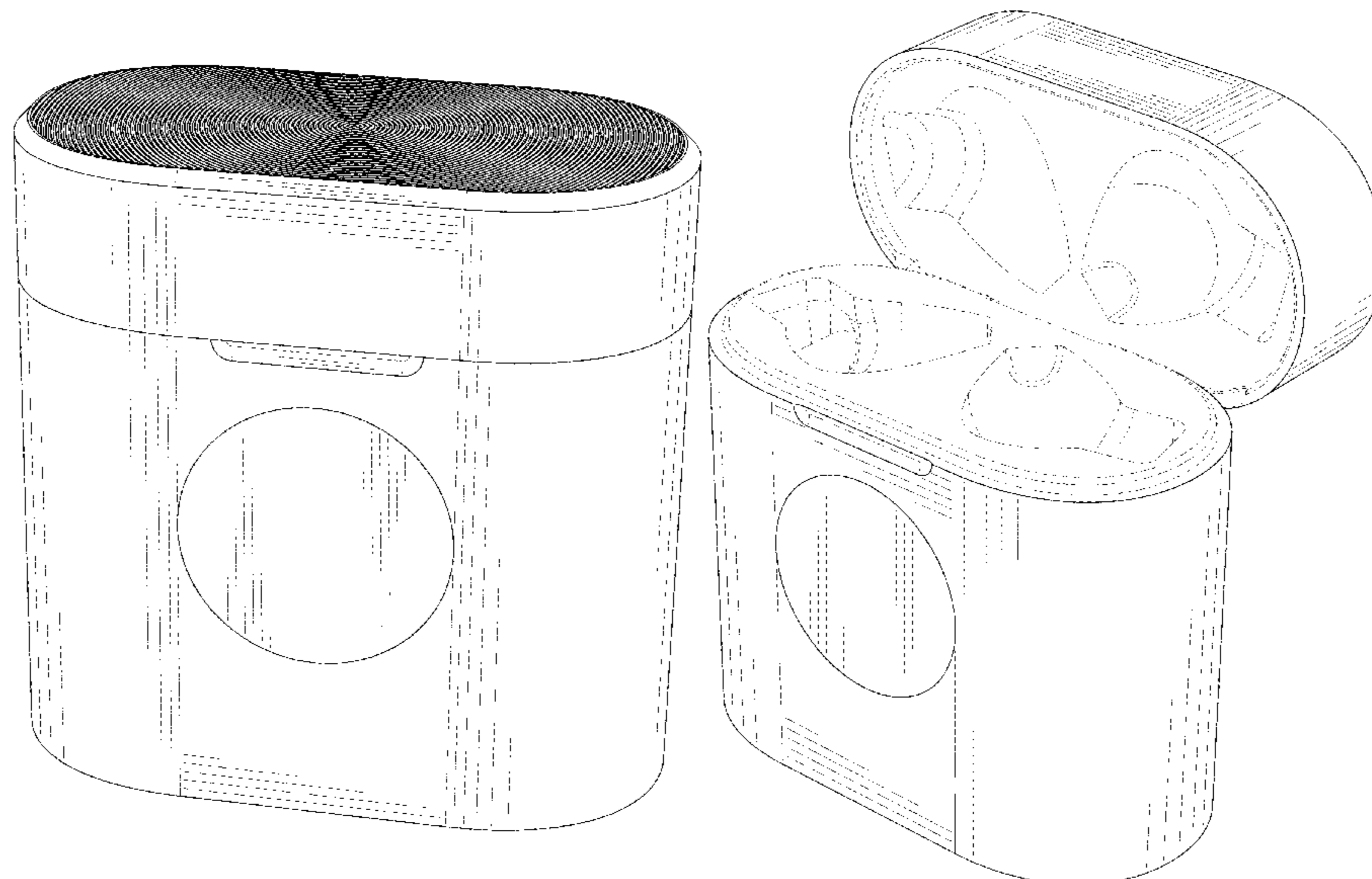
(57) **CLAIM**

The ornamental design for a charging case for wireless earphones, as shown and described.

**DESCRIPTION**

FIG. 1 is a top, front, left side perspective view of a charging case for wireless earphones, showing my new design in a closed configuration;  
FIG. 2 is a top, rear, right side perspective view thereof;  
FIG. 3 is a front elevational view thereof;  
FIG. 4 is a rear elevational view thereof;  
FIG. 5 is a left side elevational view thereof;  
FIG. 6 is a right side elevational view thereof;  
FIG. 7 is a top plan view thereof;  
FIG. 8 is a bottom plan view thereof;  
FIG. 9 is an enlarged top, rear, right side perspective view of the detail identified in FIG. 2; and,  
FIG. 10 is a top, front, left side perspective view of the charging case for wireless earphones of FIG. 1, shown in an open state.  
The broken lines in the drawings depict portions of the charging case for wireless earphones that form no part of the claimed design.

**1 Claim, 10 Drawing Sheets**



(56)

**References Cited**

OTHER PUBLICATIONS

“Sony WF-1000XM3 Earbuds”. Found online Jul. 27, 2021 at amazon.com. Reference dated Jul. 5, 2019. Retrieved from <https://www.amazon.com/Sony-WF-1000XM3-Industry-Canceling-Wireless/dp/B07T81554H>. (Year: 2019).\*

“SoundPEATS True Wireless Earbuds”. Found online Dec. 4, 2020 at amazon.com. Reference dated Sep. 20, 2018. Retrieved from [https://www.amazon.com/SoundPEATS-Bluetooth-Headphones-Earphones-Microphone/dp/B07MX1XL1V/ref=psdc\\_172541\\_t1\\_B07HK8F3PM](https://www.amazon.com/SoundPEATS-Bluetooth-Headphones-Earphones-Microphone/dp/B07MX1XL1V/ref=psdc_172541_t1_B07HK8F3PM). (Year: 2018).\*

\* cited by examiner

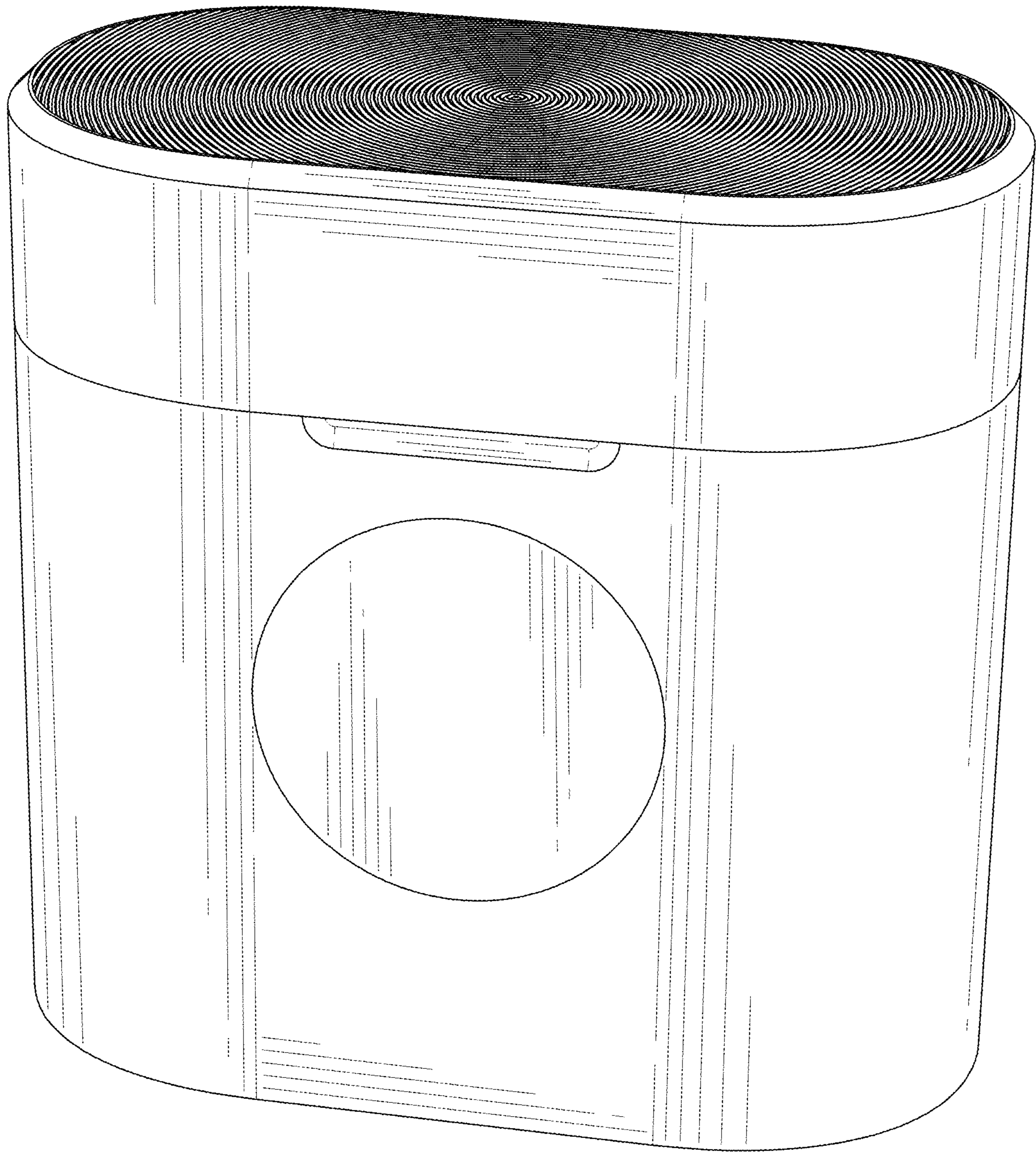


FIG. 1

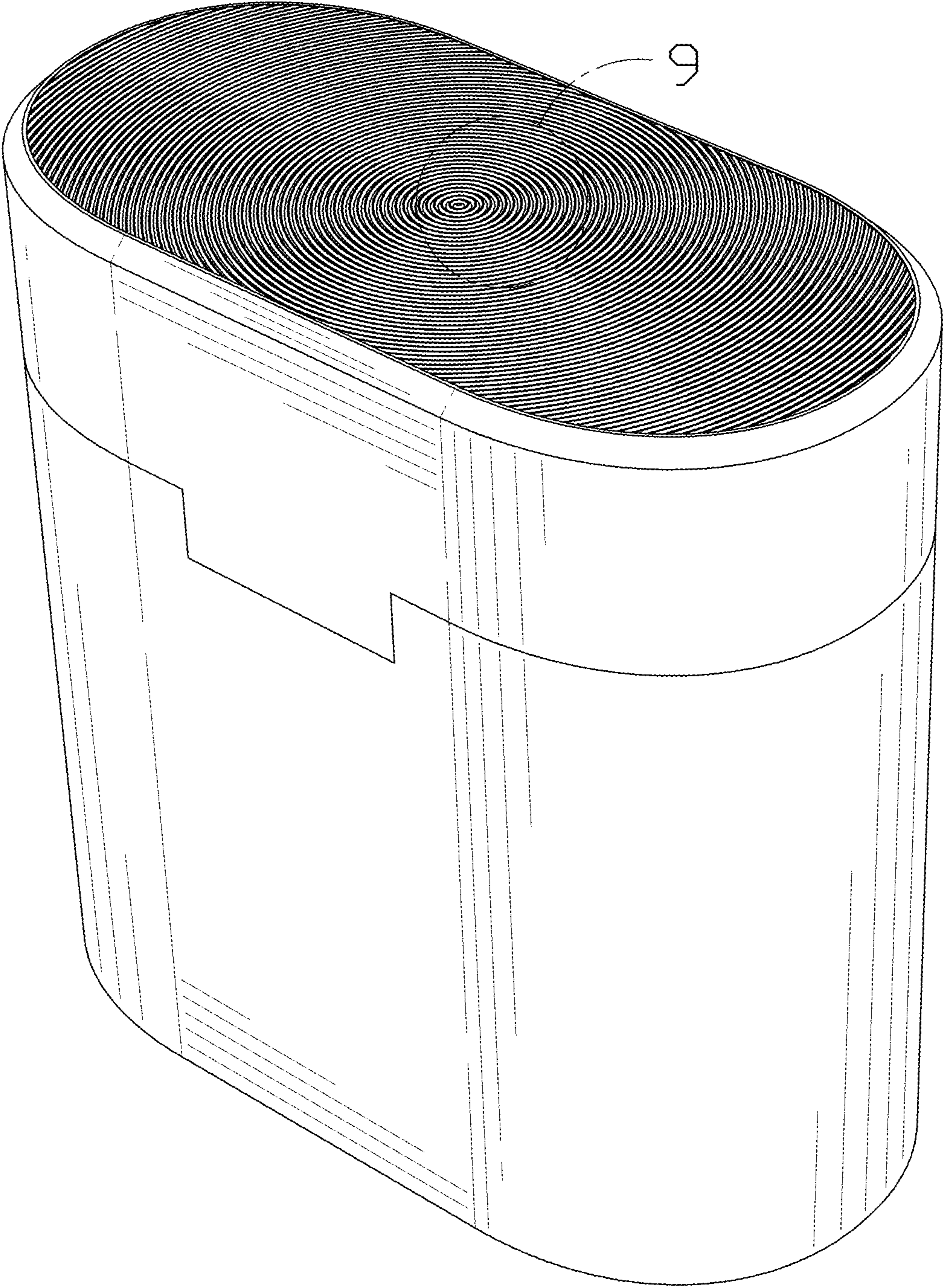


FIG. 2

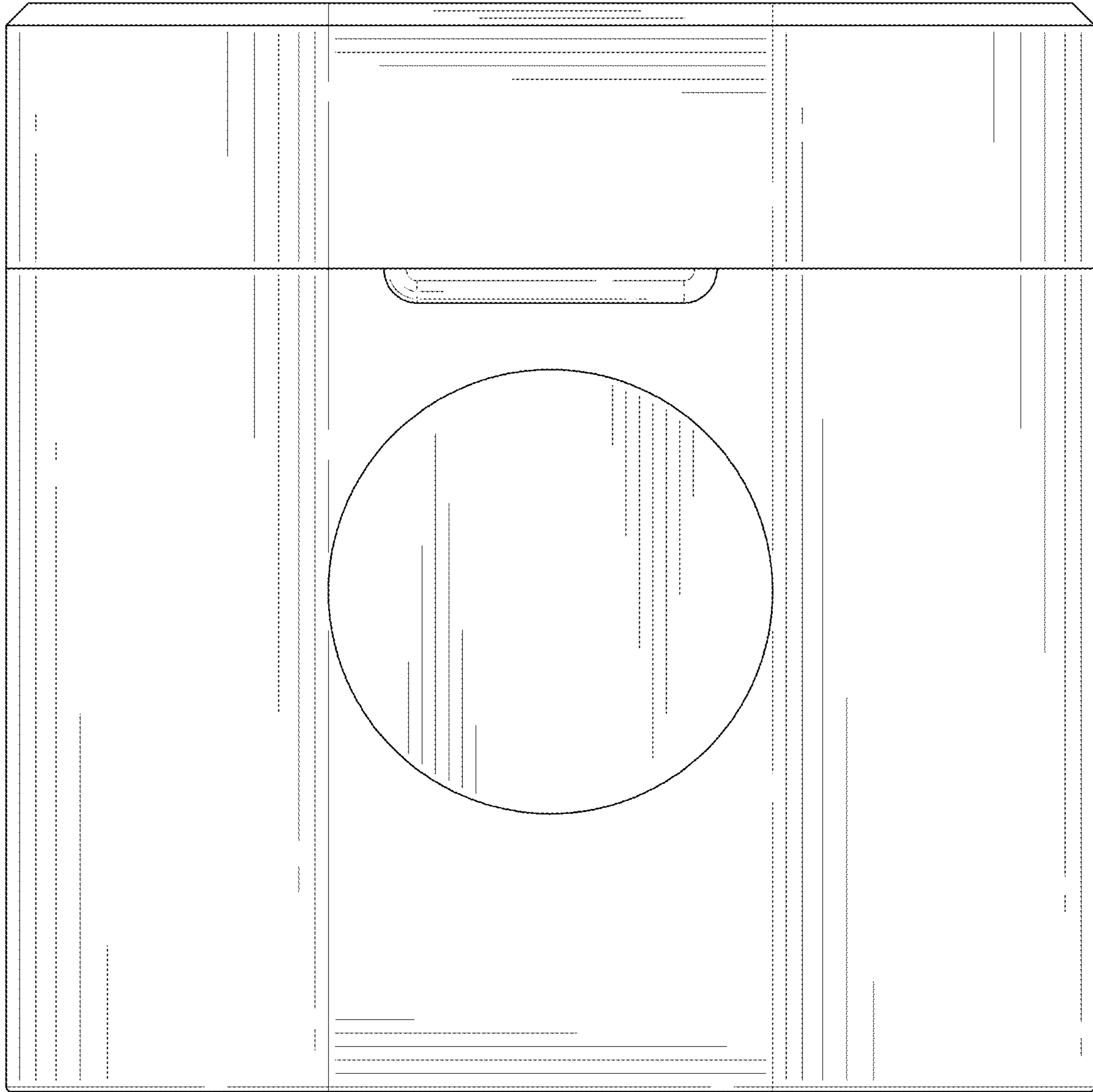


FIG. 3

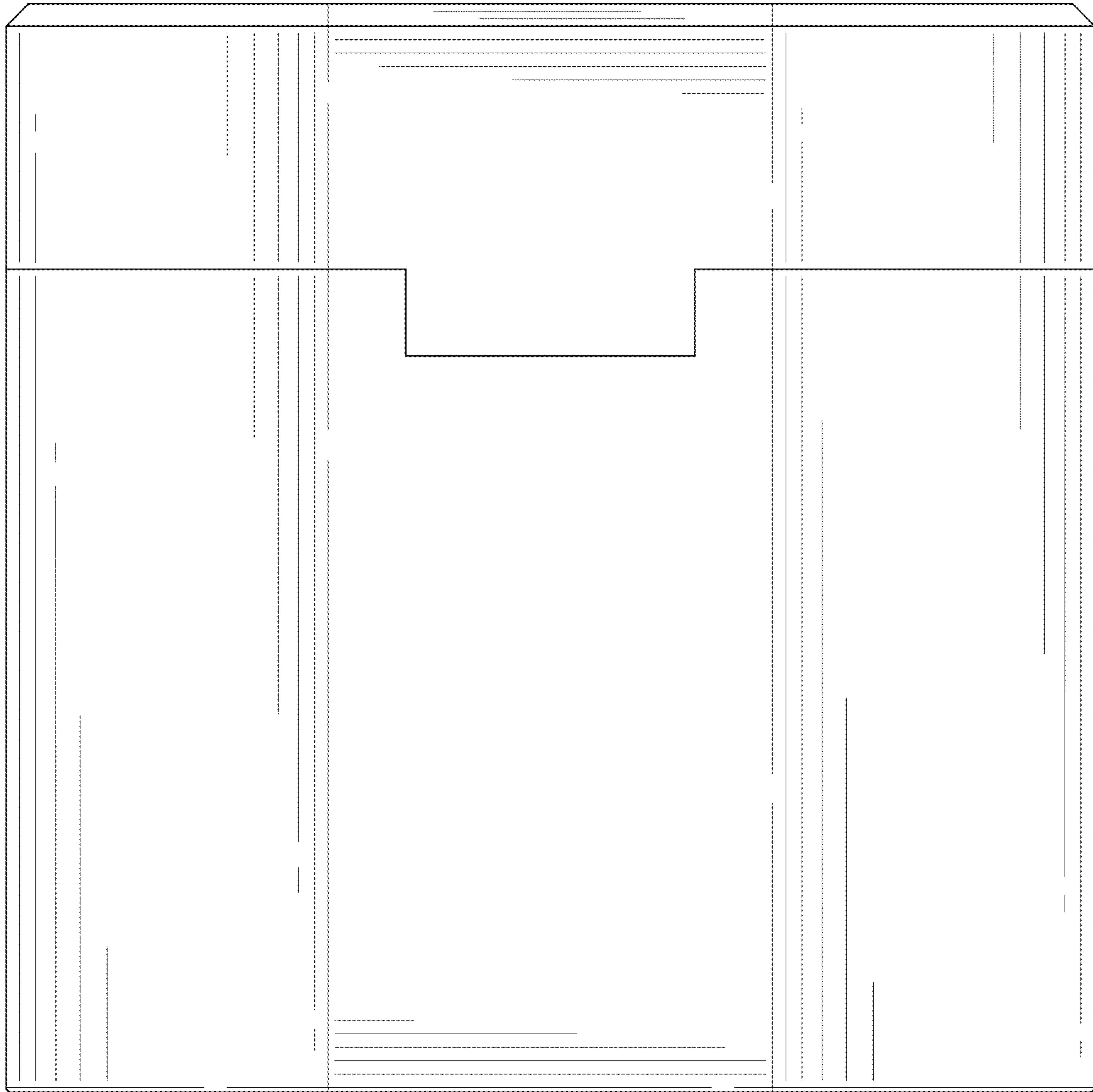


FIG. 4

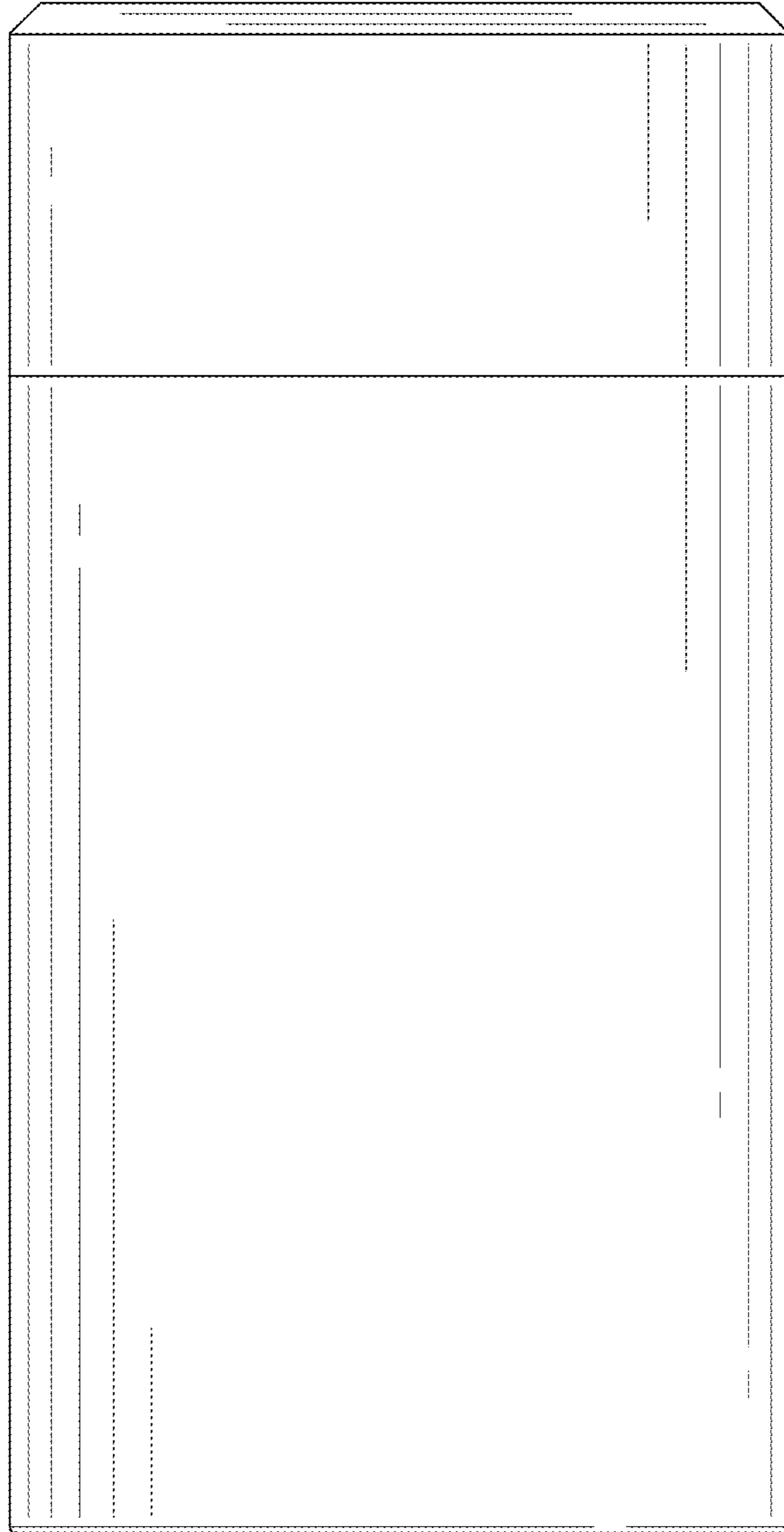


FIG. 5

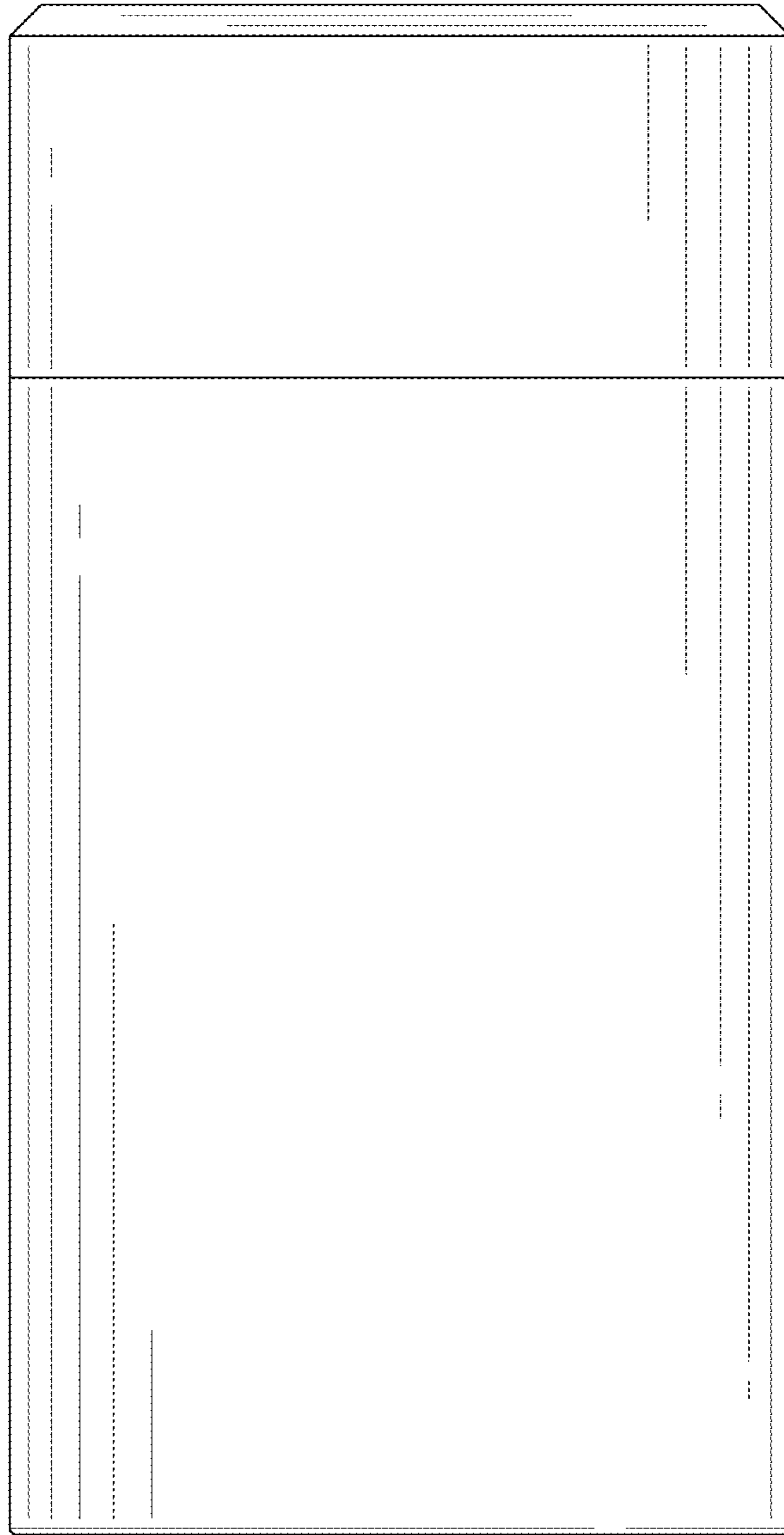


FIG. 6



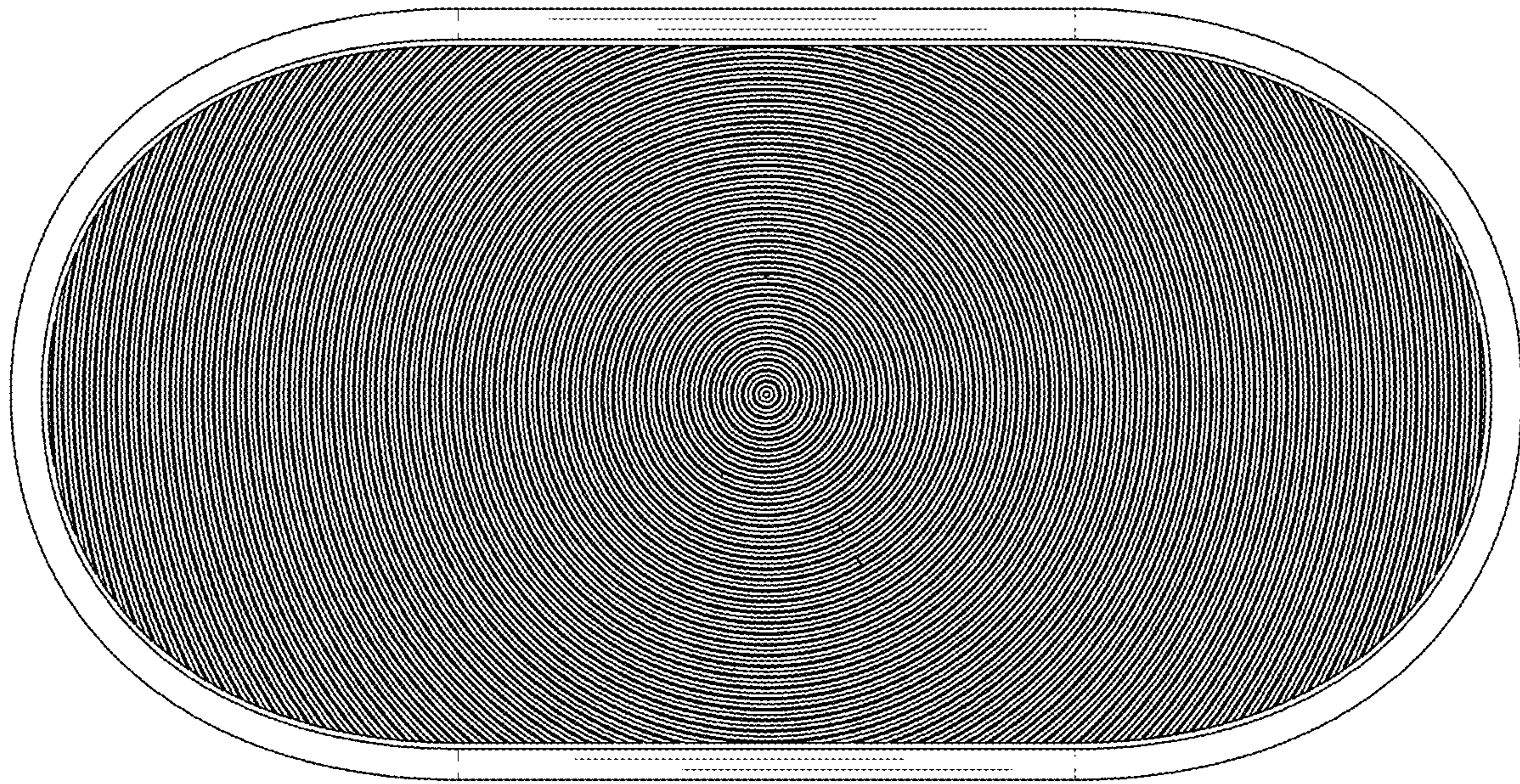


FIG. 7

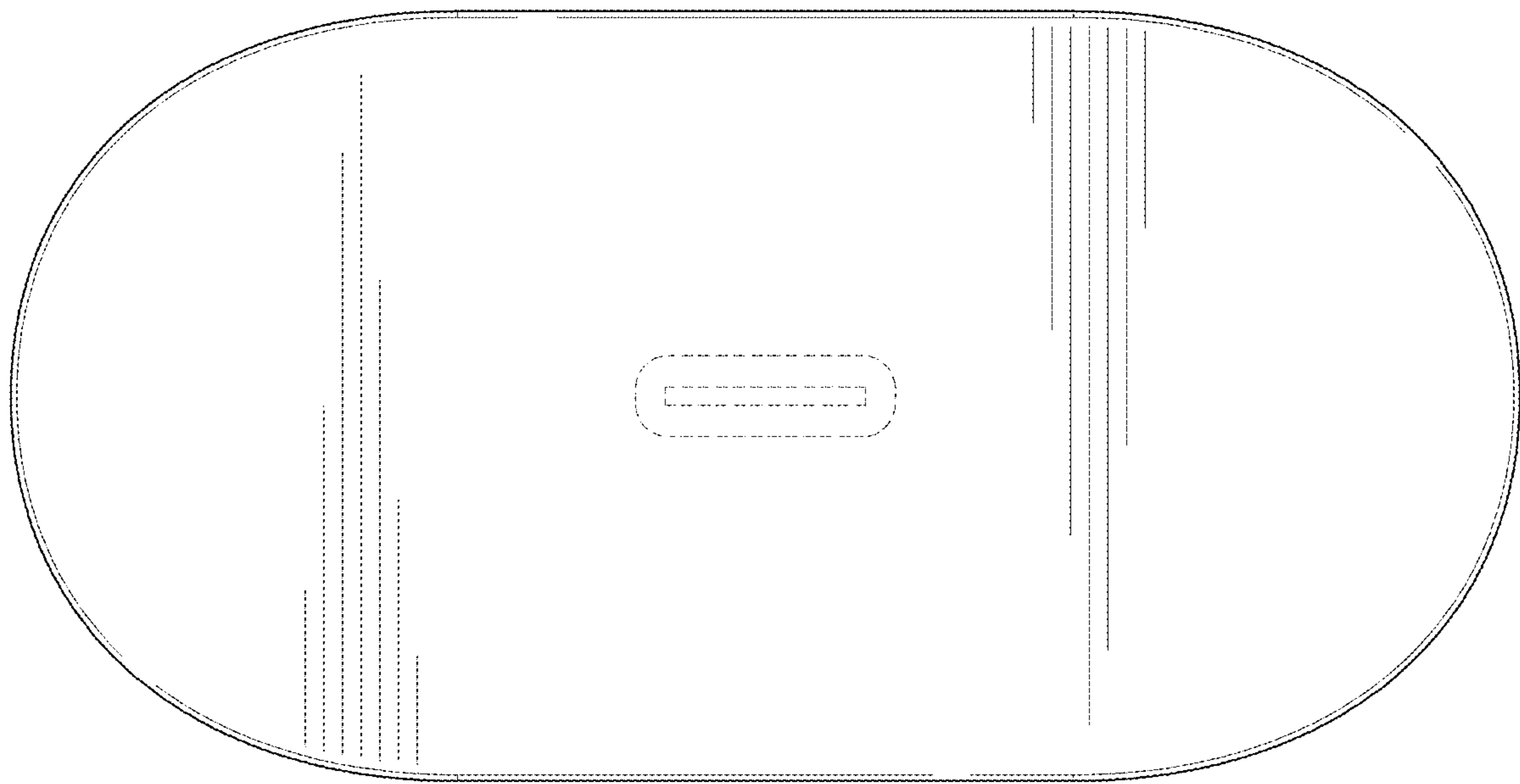


FIG. 8

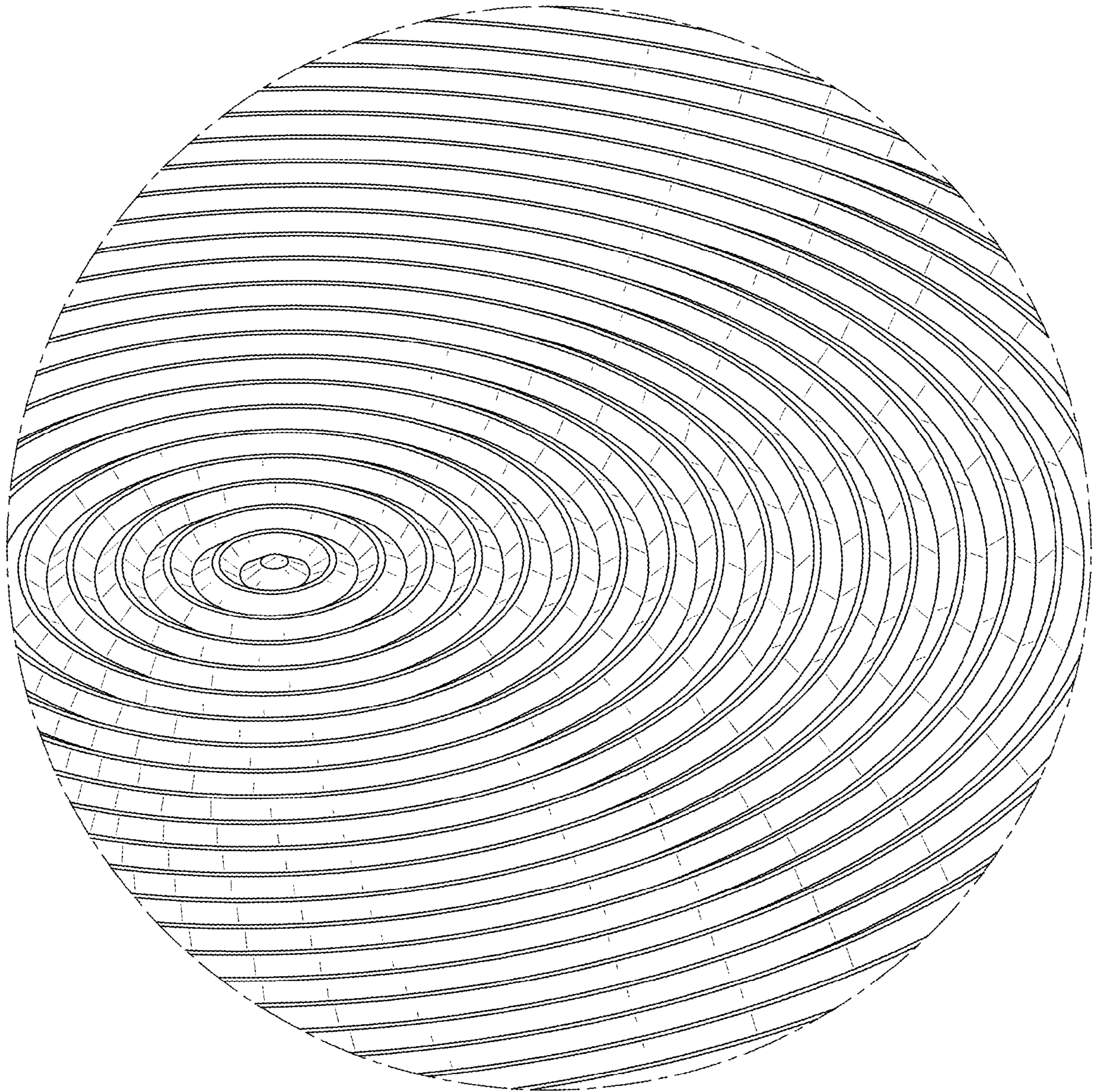


FIG. 9

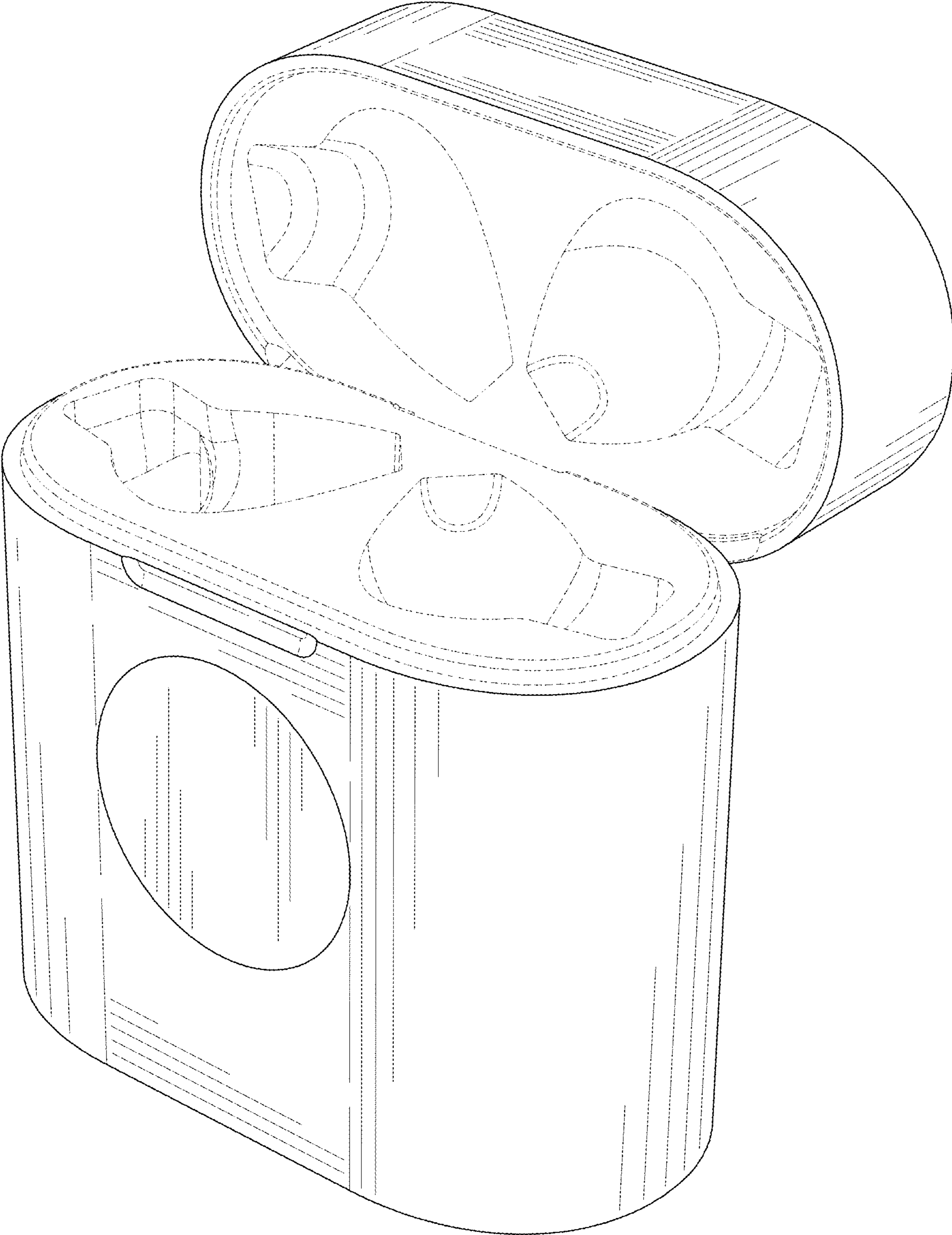


FIG. 10