



US00D942943S

(12) **United States Design Patent**  
**Huang**

(10) **Patent No.:** **US D942,943 S**

(45) **Date of Patent:** **\*\* Feb. 8, 2022**

(54) **CHARGING BOX**

(71) Applicant: **Shenzhen Wogou Technology Co., Ltd.**, Shenzhen (CN)

(72) Inventor: **Liliang Huang**, Shenzhen (CN)

(\*\*) Term: **15 Years**

(21) Appl. No.: **29/735,287**

(22) Filed: **May 20, 2020**

(51) **LOC (13) Cl.** ..... **13-02**

(52) **U.S. Cl.**

USPC ..... **D13/108**; D3/294

(58) **Field of Classification Search**

USPC ..... D13/103, 107, 108, 118, 119, 184, 199;  
D3/201, 208, 218, 273, 274, 294, 295,  
D3/296, 298; D9/414, 420, 423, 430;  
D14/223, 251, 432

CPC .. H02J 7/0044; A45C 2011/001; B65D 43/16;  
H04R 1/1025

See application file for complete search history.

(56) **References Cited**

U.S. PATENT DOCUMENTS

D527,182 S *	8/2006	Ham	.....	D3/274
D735,476 S *	8/2015	Duvigneau	.....	D3/294
D846,264 S *	4/2019	Wu	.....	D3/201
D870,451 S *	12/2019	Birger	.....	D3/201
D882,262 S *	4/2020	Zhang	.....	D3/294
D902,589 S *	11/2020	Li	.....	D3/295
D906,238 S *	12/2020	Zhang	.....	D13/108
D908,617 S *	1/2021	Briggs	.....	D13/108
D919,294 S *	5/2021	Fang	.....	D3/295
D921,362 S *	6/2021	Lu	.....	D3/294
2020/0099231 A1 *	3/2020	Nobre	.....	G06F 1/163
2020/0412143 A1 *	12/2020	Chang	.....	H04R 1/1025
2021/0098999 A1 *	4/2021	Cipolla, Jr.	.....	H02J 7/00034

OTHER PUBLICATIONS

“Pasonomi Bluetooth Earbuds”. Found online Jul. 26, 2021 at amazon.com. Reference dated Aug. 16, 2019. Retrieved from https://www.amazon.com/dp/B07WH12ZMV/ref=sspa\_dk\_detail\_5?th=1. (Year: 2019).\*

“Haylou T15 Charging Case”. Found online Jul. 14, 2021 at wovow.org. Reference dated Dec. 17, 2019. Retrieved from https://www.wovow.org/haylou-t15-review-2019-earbuds/ (Year: 2019).\*

“OontZ True Wireless BudZ”. Found online Jul. 16, 2021 at amazon.com. Reference dated Oct. 29, 2019. Retrieved from https://www.amazon.com/dp/B07XZN7NNJ/ref=sspa\_dk\_detail\_1 (Year: 2019).\*

\* cited by examiner

*Primary Examiner* — Kendra Leslie Hamilton

*Assistant Examiner* — Amanda Christensen

(74) *Attorney, Agent, or Firm* — Rumit Ranjit Kanakia

(57) **CLAIM**

I claim the ornamental design for a charging box, as shown and described.

**DESCRIPTION**

FIG. 1 is a top, front, right side perspective view of a charging box, showing my new design closed in a first configuration;

FIG. 2 is a Front view thereof;

FIG. 3 is a Back view thereof;

FIG. 4 is a Right-side view thereof;

FIG. 5 is a Left-side view thereof;

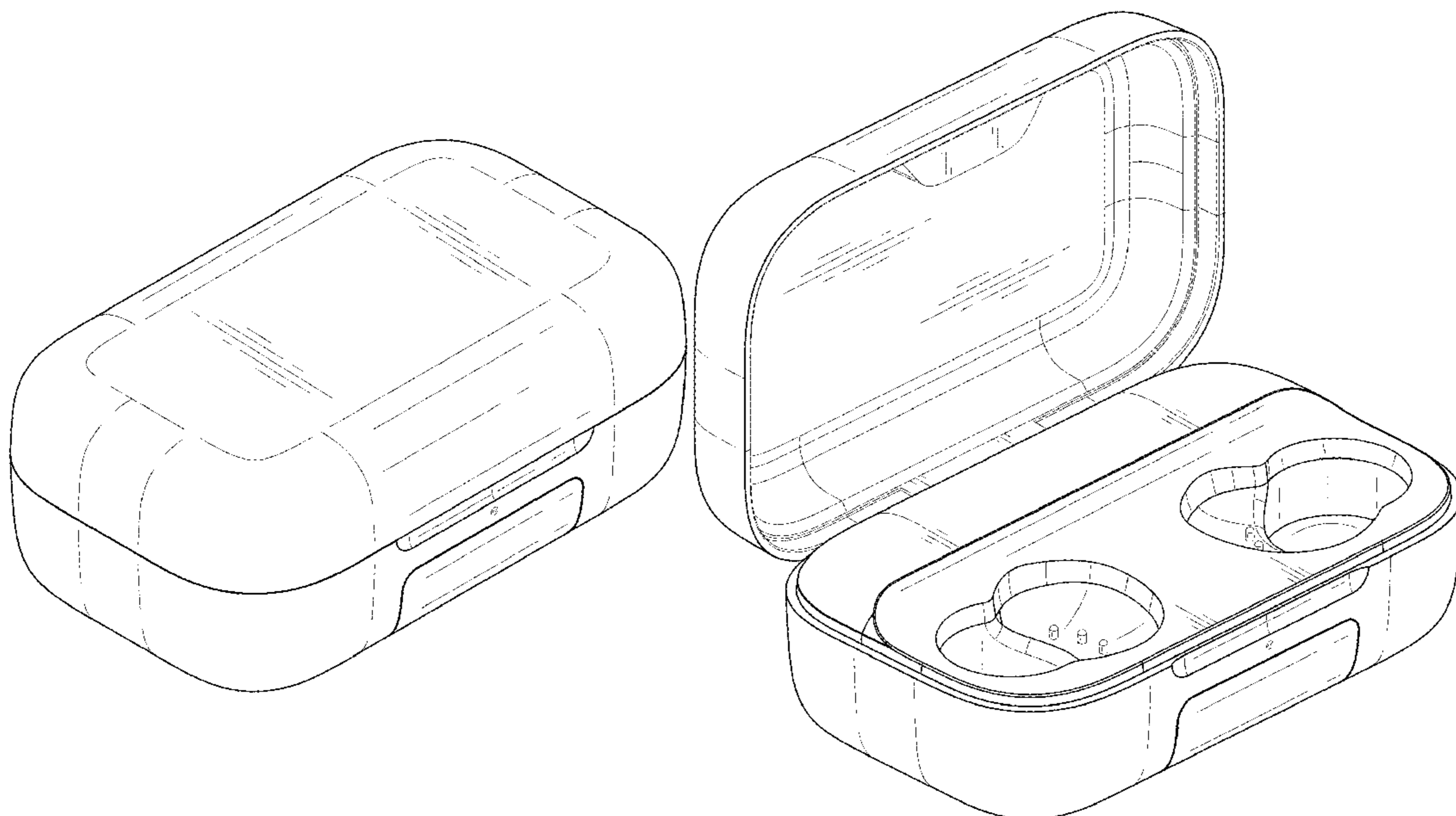
FIG. 6 is a Top view thereof;

FIG. 7 is a Bottom view thereof;

FIG. 8 is a top, front, right side perspective view of the charging box of FIG. 1, shown open in a second configuration; and,

FIG. 9 is a top view thereof.

**1 Claim, 8 Drawing Sheets**



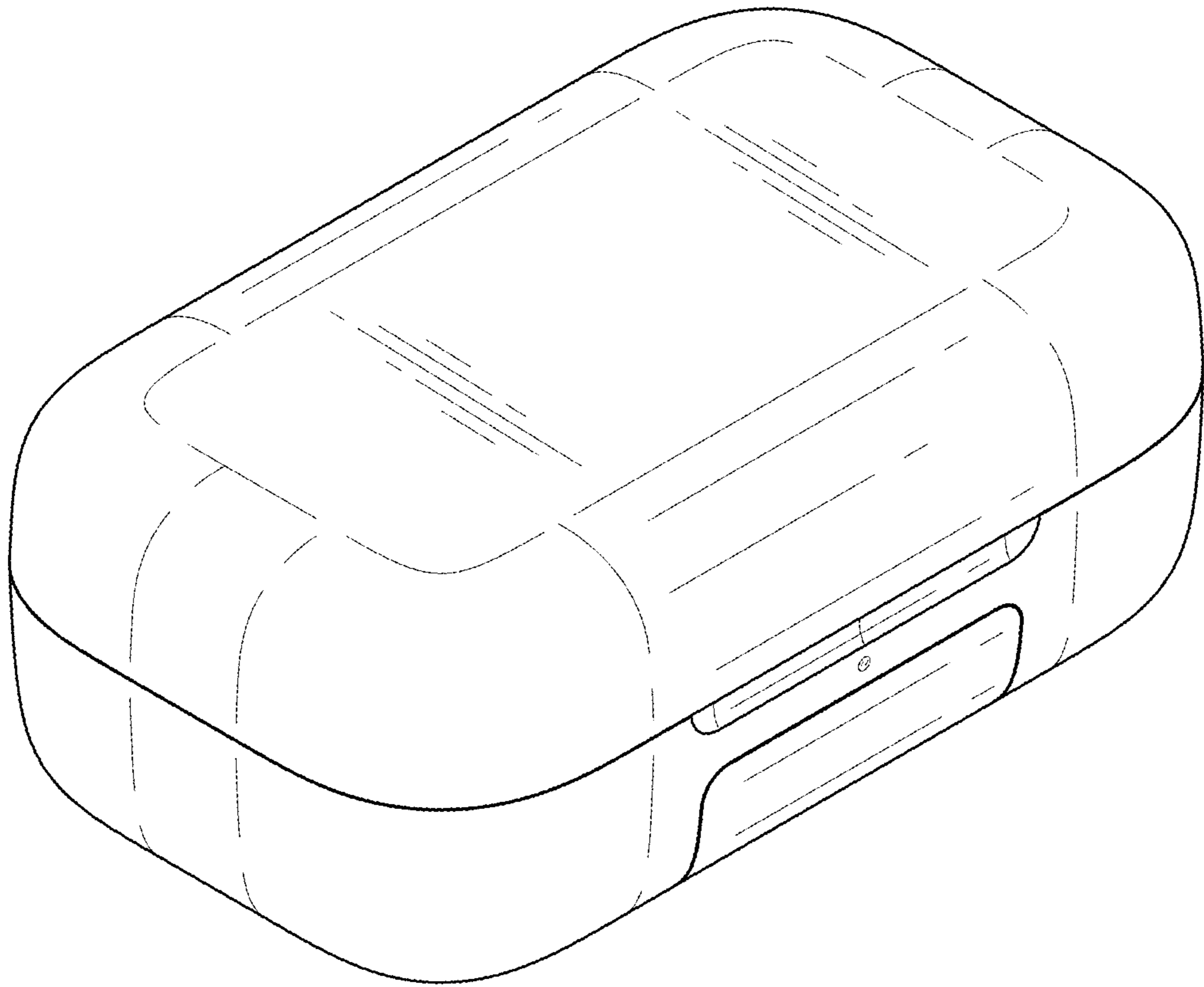


FIG. 1

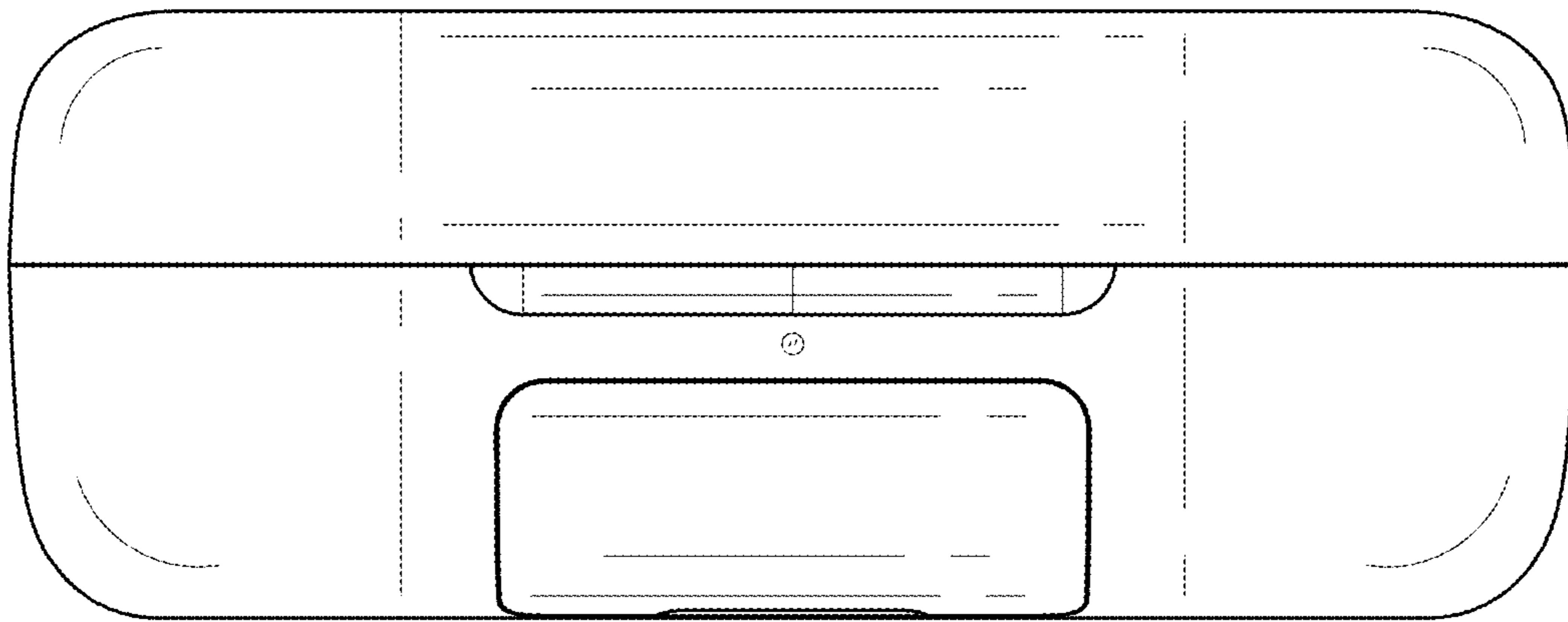


FIG. 2

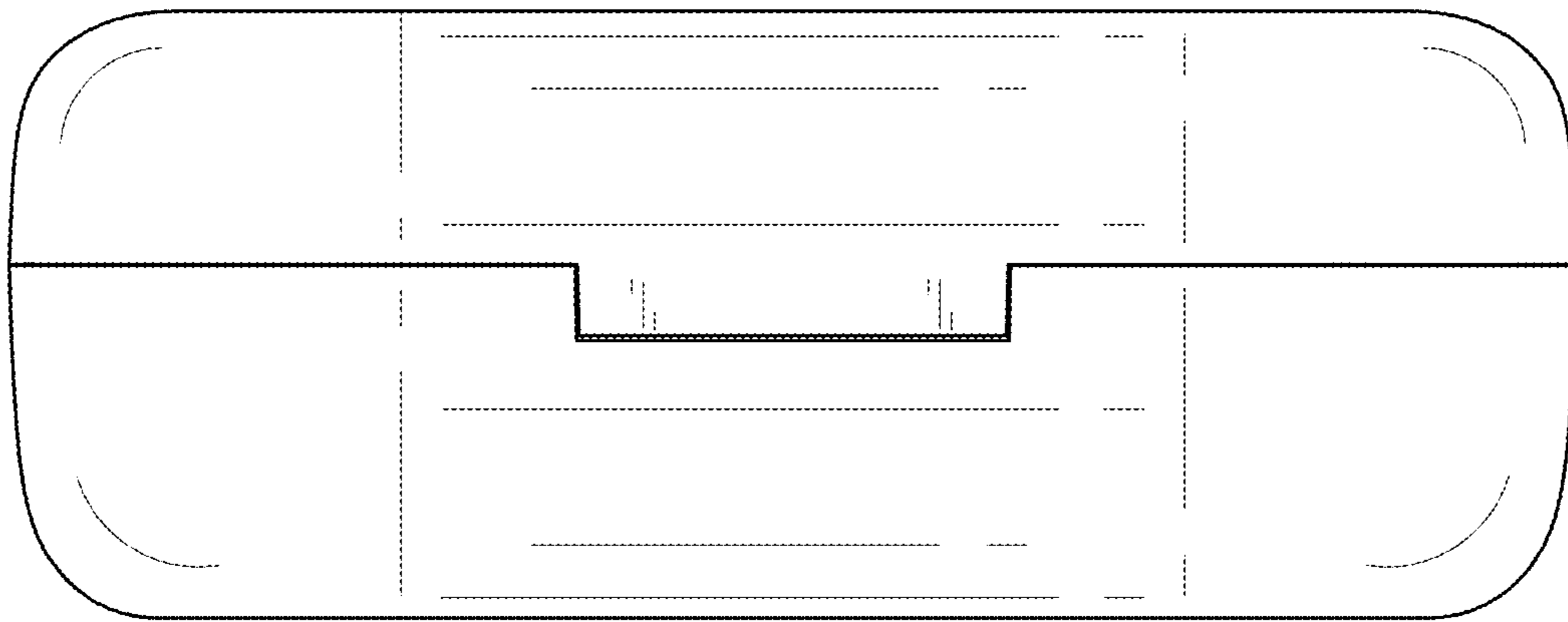


FIG. 3

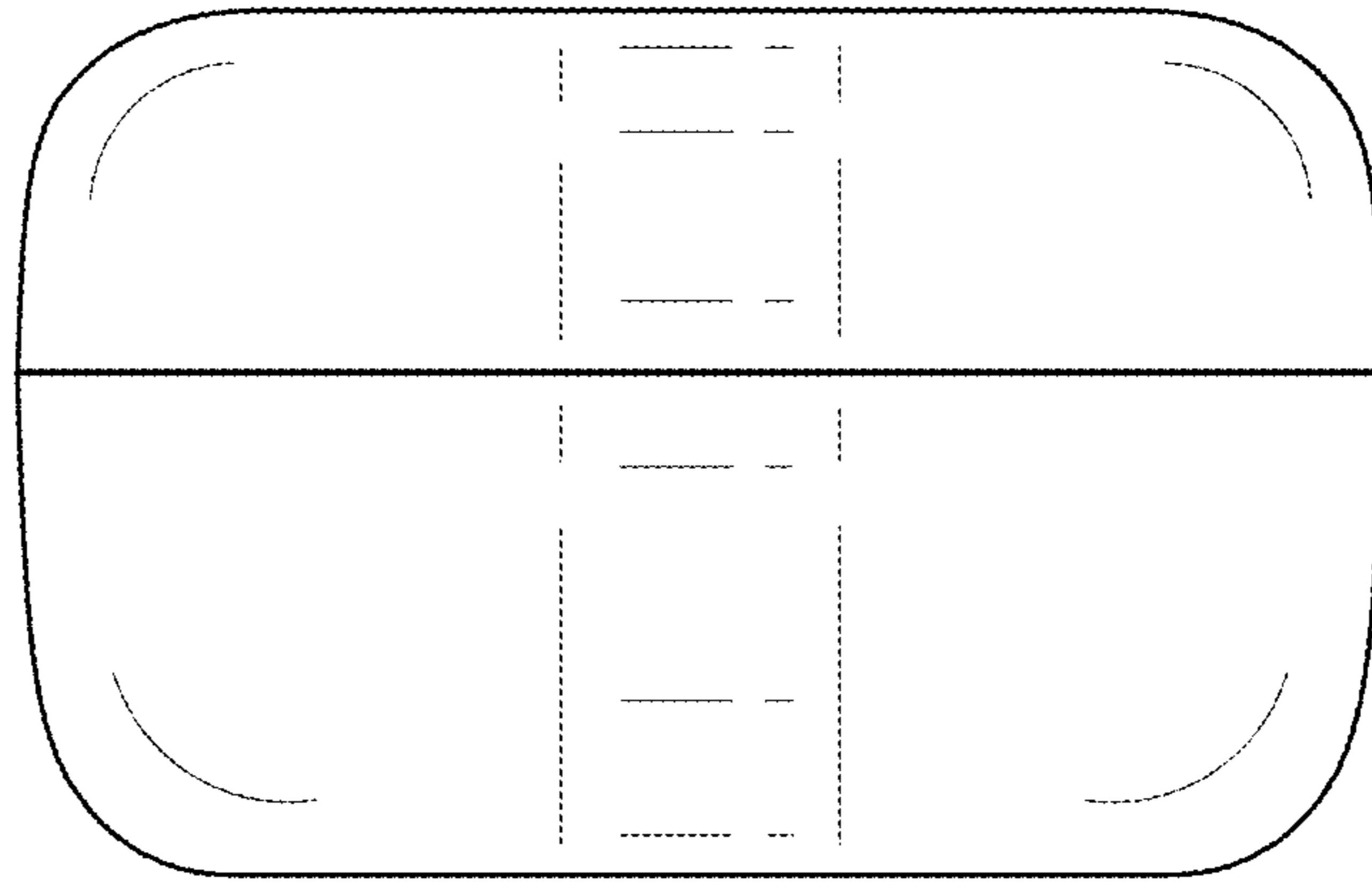


FIG. 4

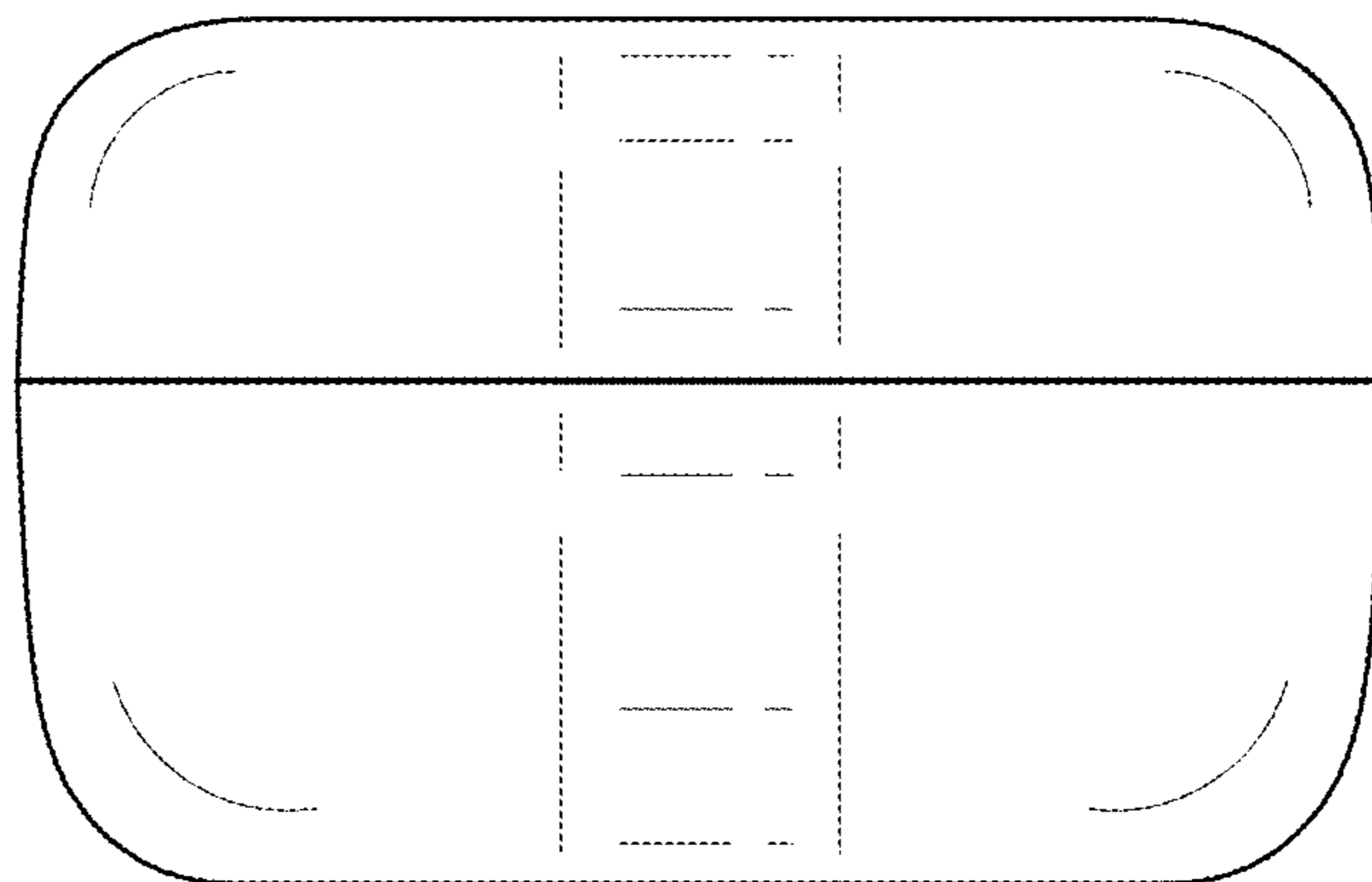


FIG. 5

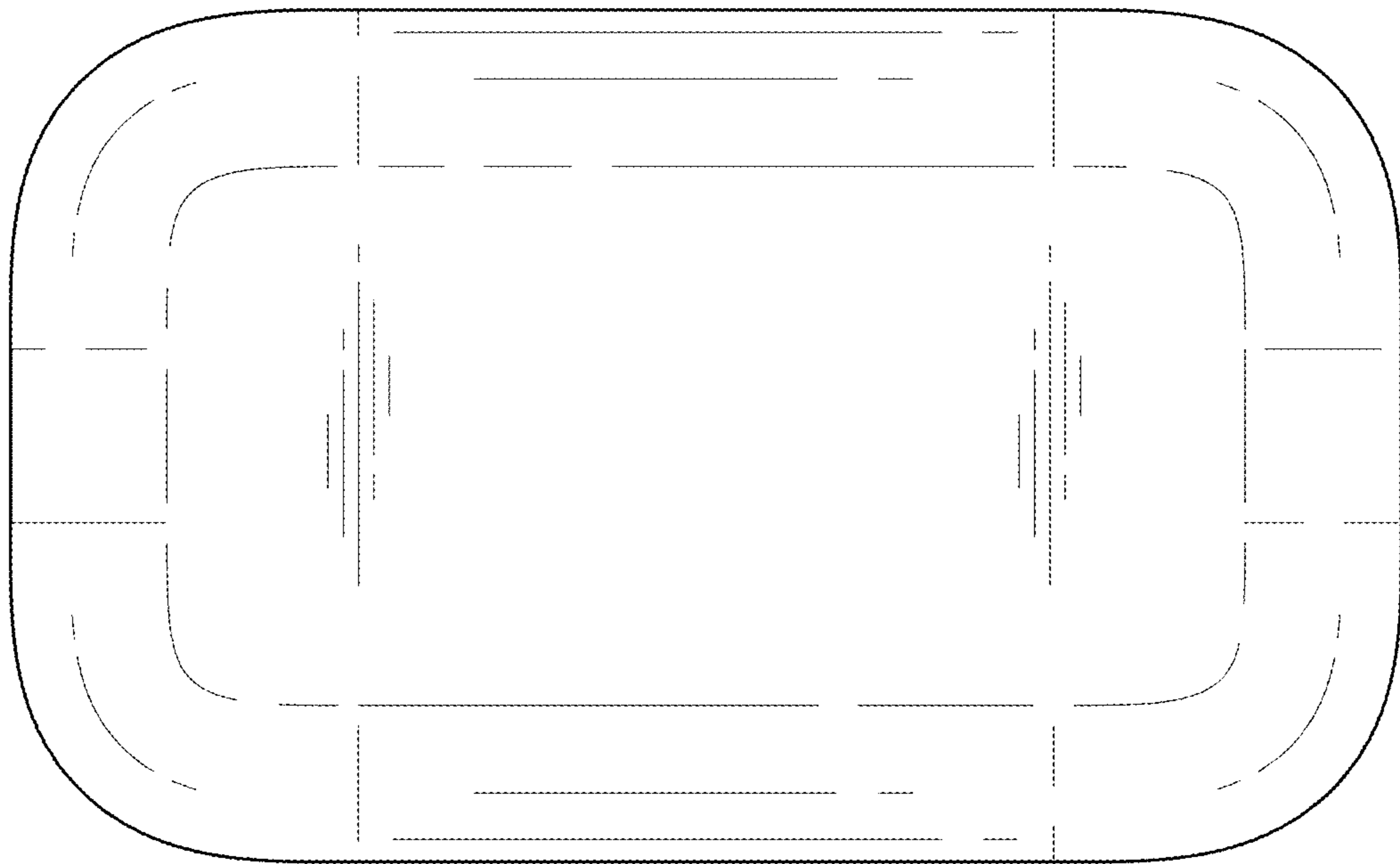


FIG. 6

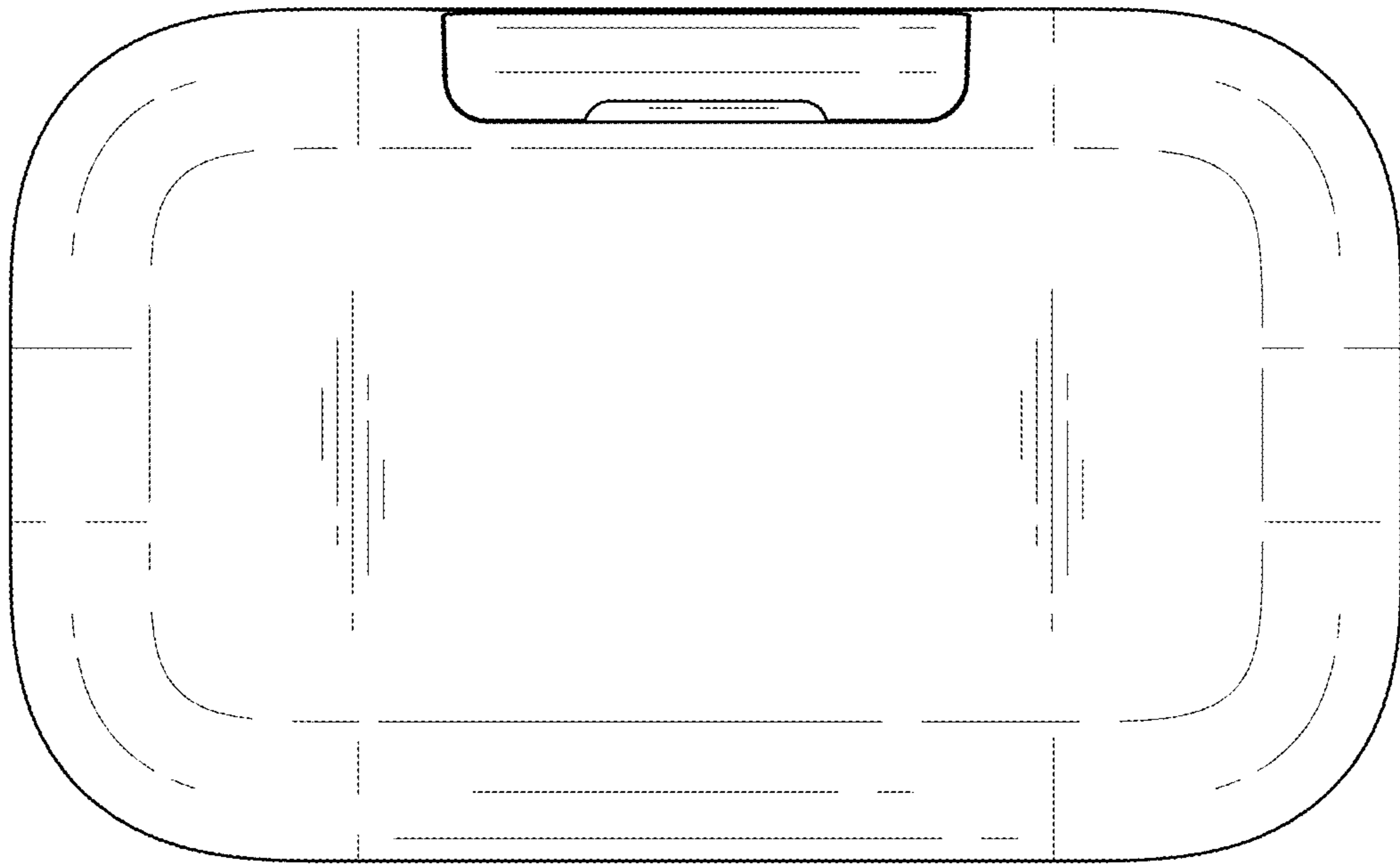


FIG. 7

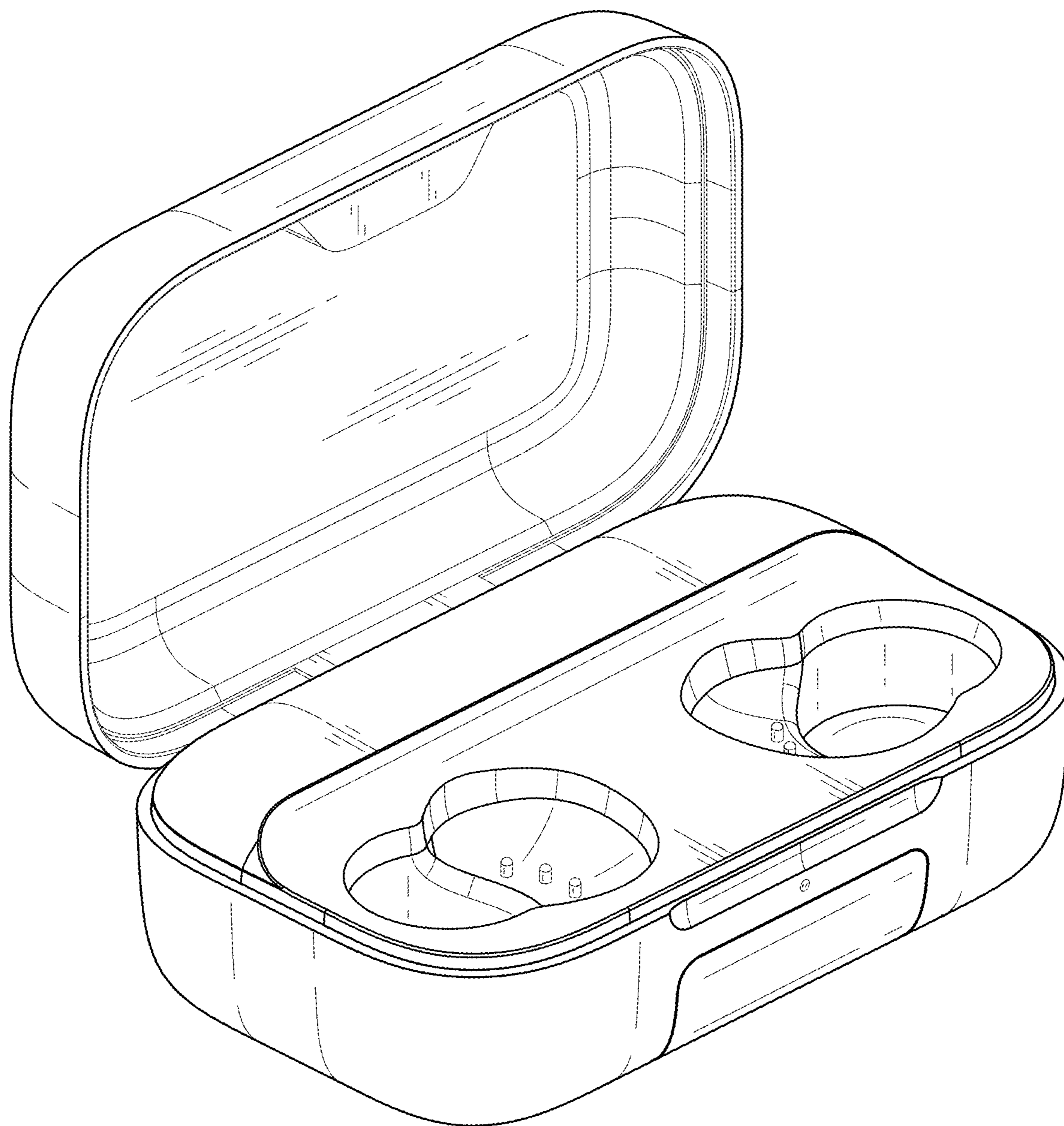


FIG. 8



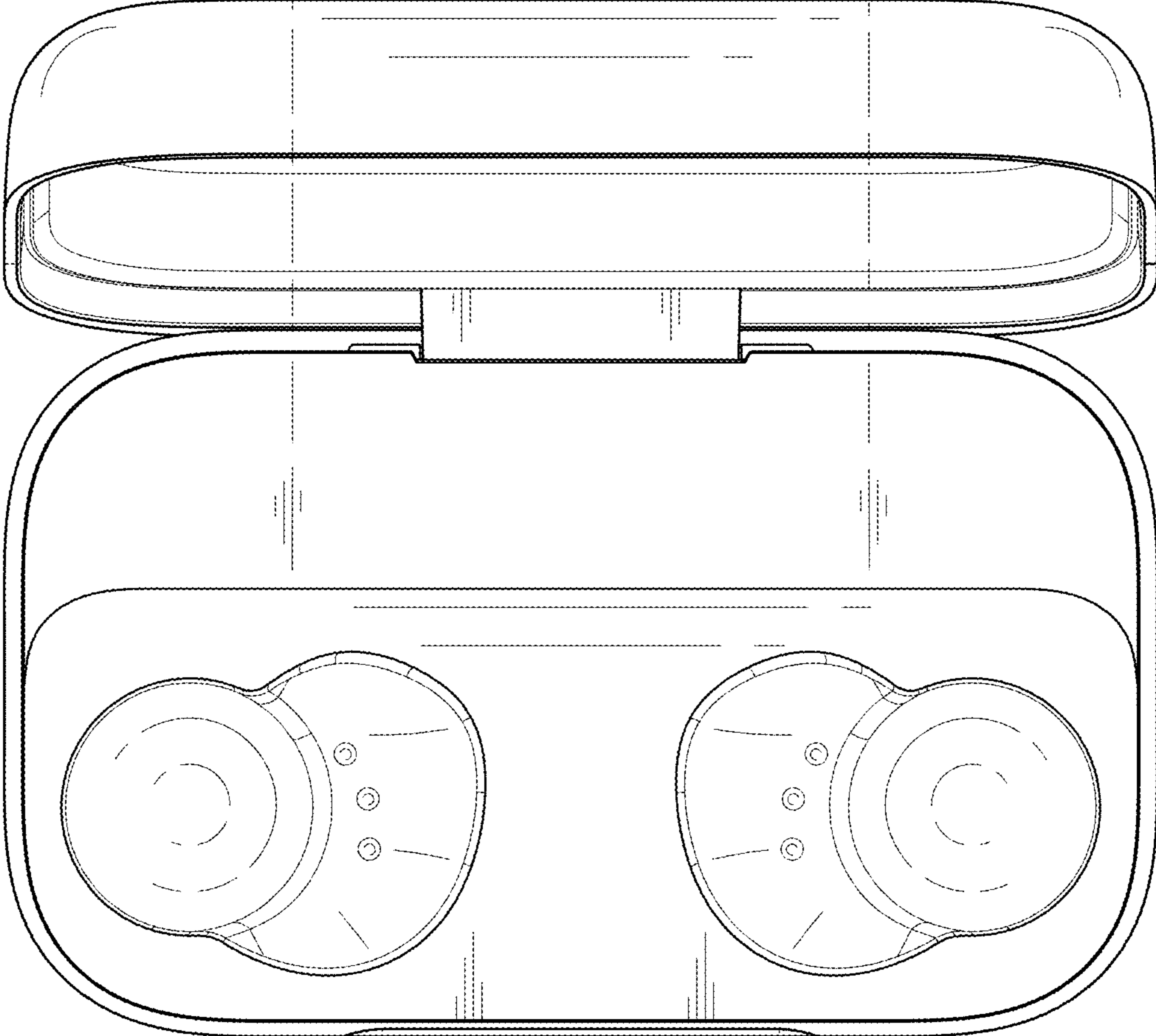


FIG. 9