



US00D942941S

(12) **United States Design Patent** (10) **Patent No.:** **US D942,941 S**
Weigel et al. (45) **Date of Patent:** **** Feb. 8, 2022**

(54) **CHARGING TRAY**

(71) Applicant: **HOMAG GmbH**, Schopfloch (DE)

(72) Inventors: **Arne Weigel**, Schopfloch (DE); **Viktor Tjuvikov**, Schopfloch (DE); **Timo Zimmermann**, Schopfloch (DE)

(73) Assignee: **Homag GMBH**, Schopfloch (DE)

(**) Term: **15 Years**

(21) Appl. No.: **29/713,371**

(22) Filed: **Nov. 15, 2019**

(30) **Foreign Application Priority Data**

May 16, 2019 (EP) 006467155

(51) **LOC (13) Cl.** **13-02**

(52) **U.S. Cl.**
USPC **D13/108**

(58) **Field of Classification Search**
USPC D13/103, 107, 108, 109, 110, 118, 119;
D14/356, 434, 447, 209.1, 251, 253
CPC H02J 7/342; H02J 50/00; H01R 2201/06
See application file for complete search history.

(56) **References Cited**

U.S. PATENT DOCUMENTS

- D268,342 S * 3/1983 Genaro D14/137
- 5,046,131 A * 9/1991 Takahashi H04M 1/0262
- 455/572
- D365,105 S * 12/1995 Aubuchon D14/240
- D400,498 S * 11/1998 Page D13/107
- D613,685 S * 4/2010 Ju D13/108
- D637,601 S * 5/2011 Symons D14/447
- D723,572 S * 3/2015 Akana D14/447
- D766,193 S * 9/2016 Desagre D13/168
- D771,564 S * 11/2016 Shin D13/108
- D836,546 S * 12/2018 Kang D13/108

- D862,400 S * 10/2019 Chretien D13/162
- 2012/0274282 A1 * 11/2012 Yoneyama H02J 7/0044
- 320/115
- 2016/0072327 A1 * 3/2016 Knutson G06F 1/1632
- 320/108

OTHER PUBLICATIONS

“Bluelounge Design Charging Station”. Found online Apr. 6, 2021 at amazon.com. Reference dated Oct. 2, 2000. Retrieved from <https://www.amazon.com/Bluelounge-RF-BL-Refresh-Charging-Station/dp/B002MAEGYW?th=1>. (Year: 2000).*

“Bang & Olufsen BeoPlay A3 iPad Dock”. Found online Apr. 15, 2021 at luxuo.com. Reference dated May 19, 2012. Retrieved from <https://www.luxuo.com/lifestyle/gadgets/bang-olufsen-beoplay-a3-ipad-dock.html> (Year: 2012).*

“Kastar Battery”. Found online Apr. 7, 2021 at amazon.com. Reference dated Aug. 12, 2016. Retrieved from https://www.amazon.com/dp/B01KBHL1KO/ref=sspa_dk_detail_0 (Year: 2016).*

* cited by examiner

Primary Examiner — Kendra Leslie Hamilton

Assistant Examiner — Amanda Christensen

(74) *Attorney, Agent, or Firm* — Burns & Levinson LLP; Bruce D. Jobse; Marlo Schepper Grolnic

(57) **CLAIM**

The ornamental design for a charging tray, as shown and described.

DESCRIPTION

FIG. 1 is a front elevation view of a charging tray, showing our new design;

FIG. 2 is a left side elevation view thereof;

FIG. 3 is a top plan view thereof;

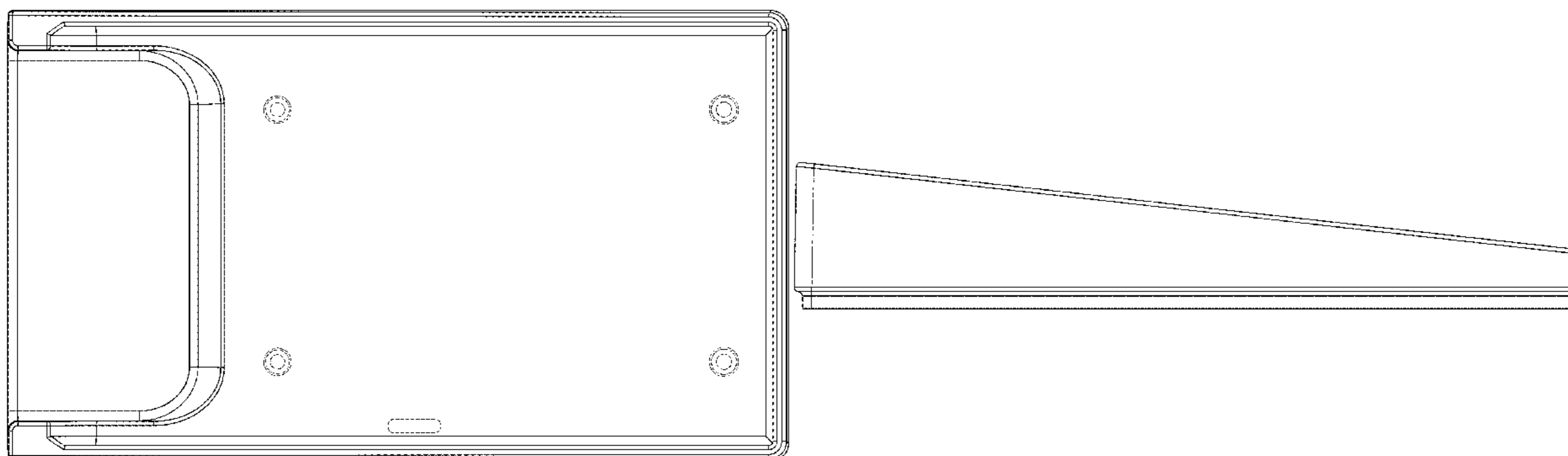
FIG. 4 is a right side elevation view thereof;

FIG. 5 is a rear elevation view thereof; and,

FIG. 6 is a bottom plan view thereof.

The broken lines in the drawings depict portions of the charging tray that form no part of the claimed design.

1 Claim, 6 Drawing Sheets



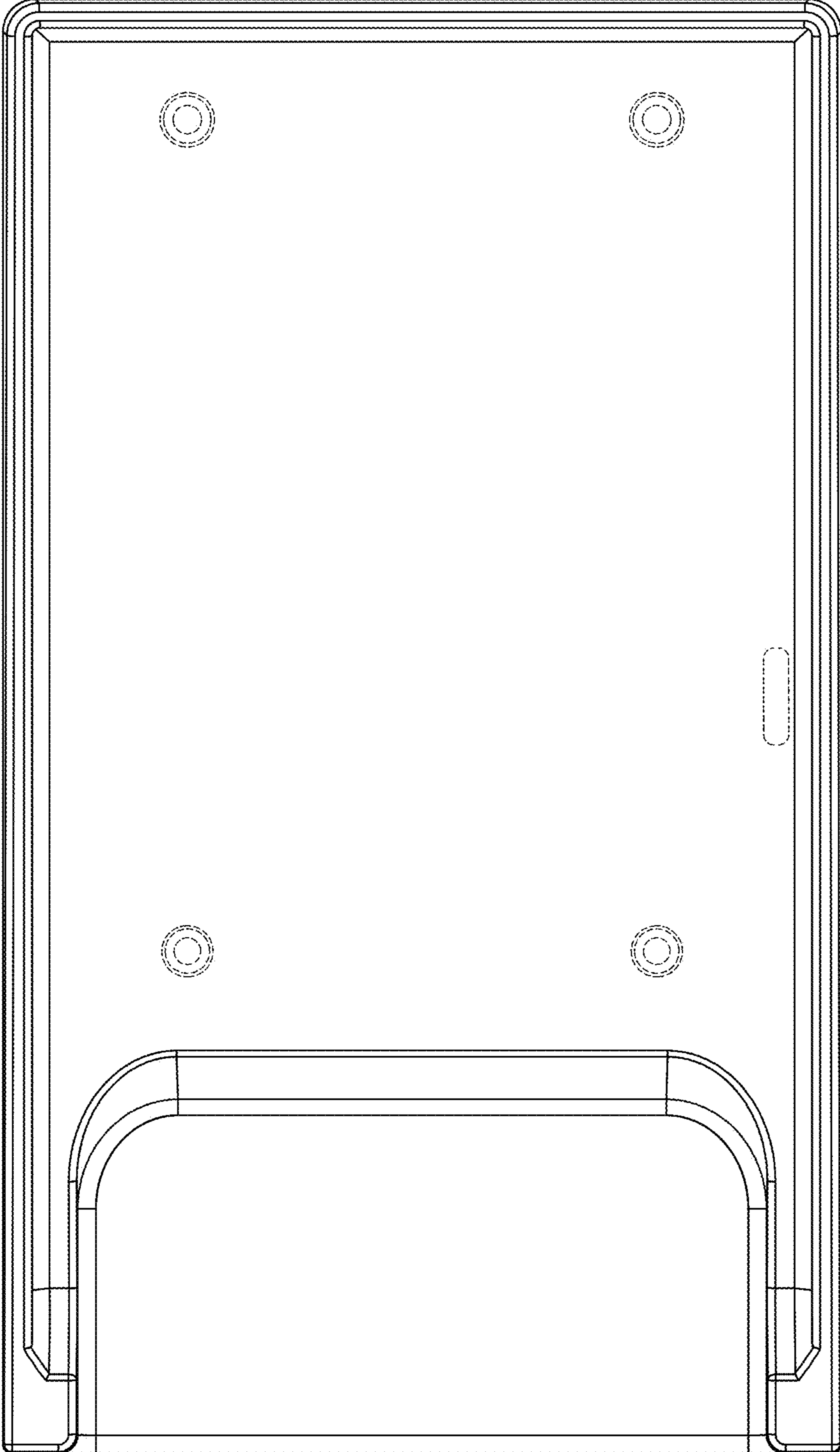


FIG. 1

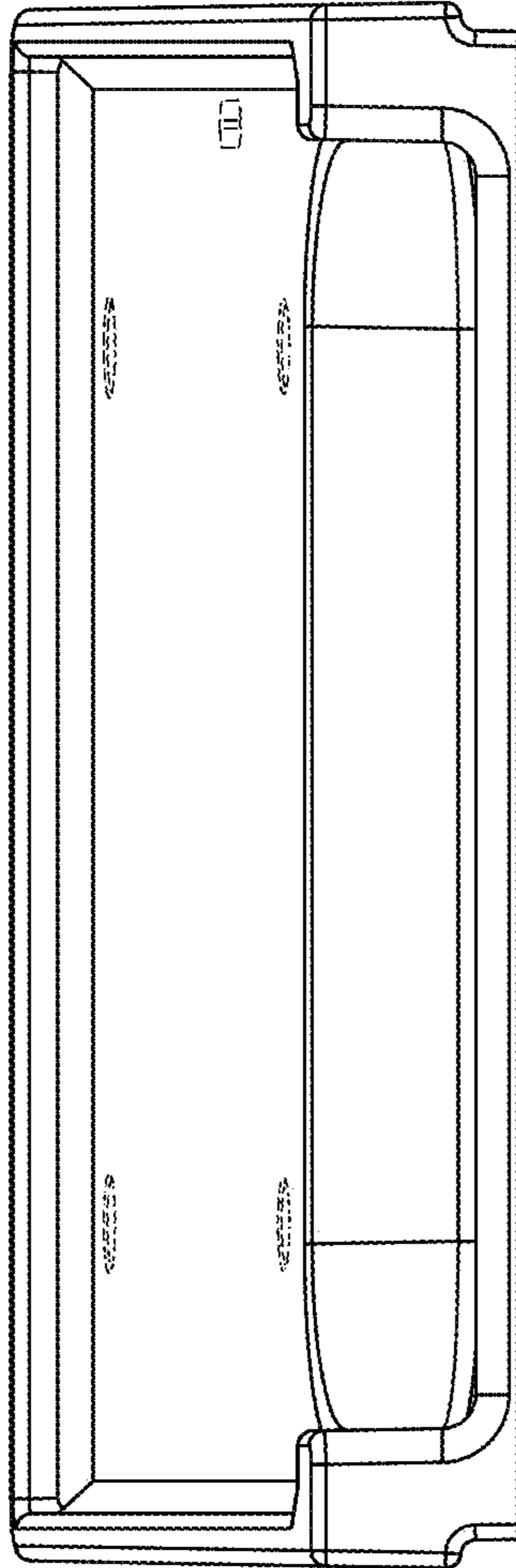


FIG. 2

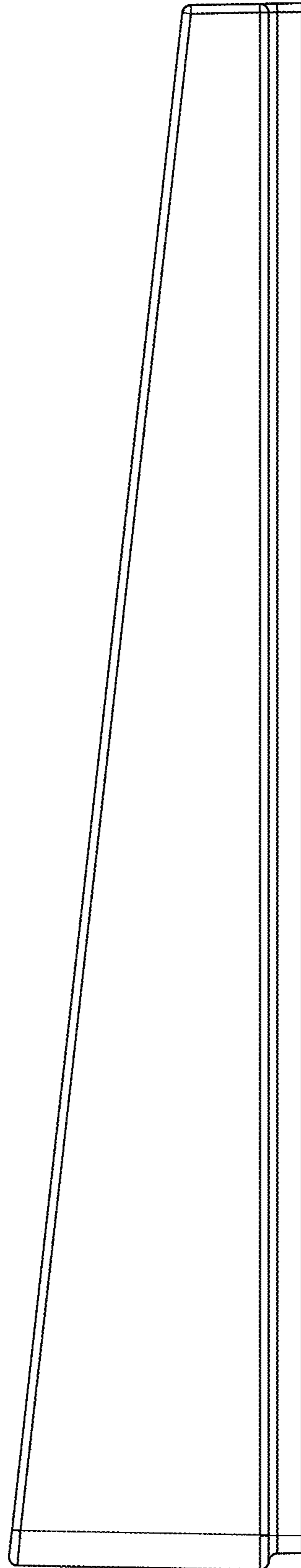


FIG. 3

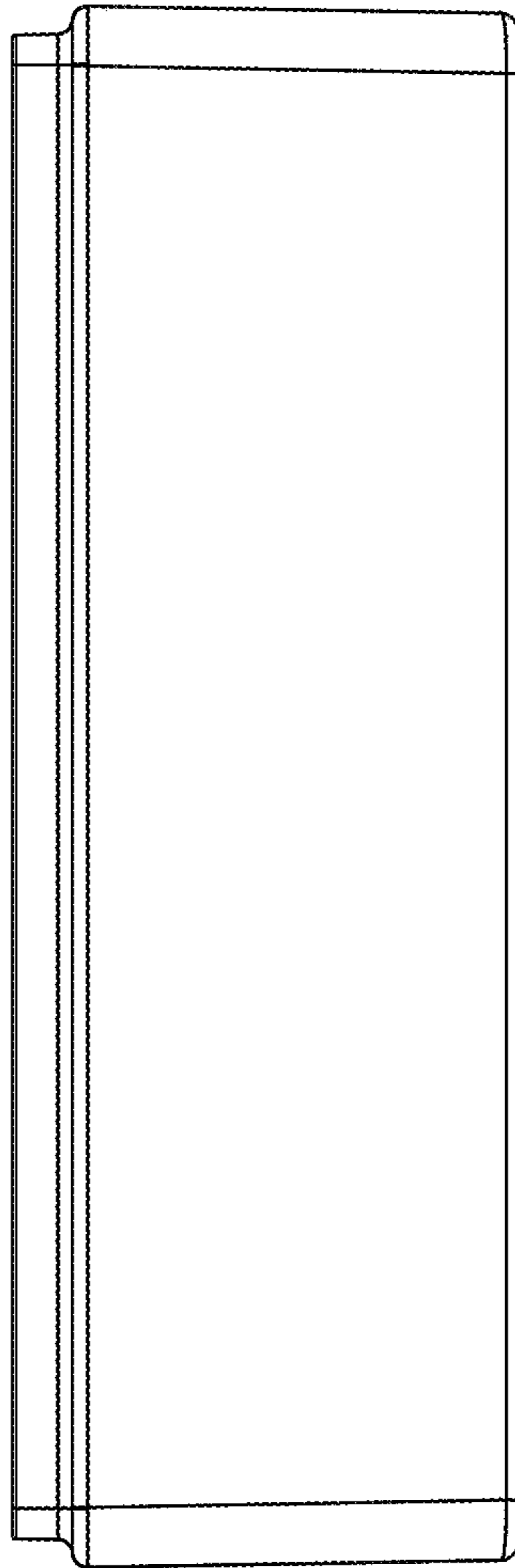


FIG. 4

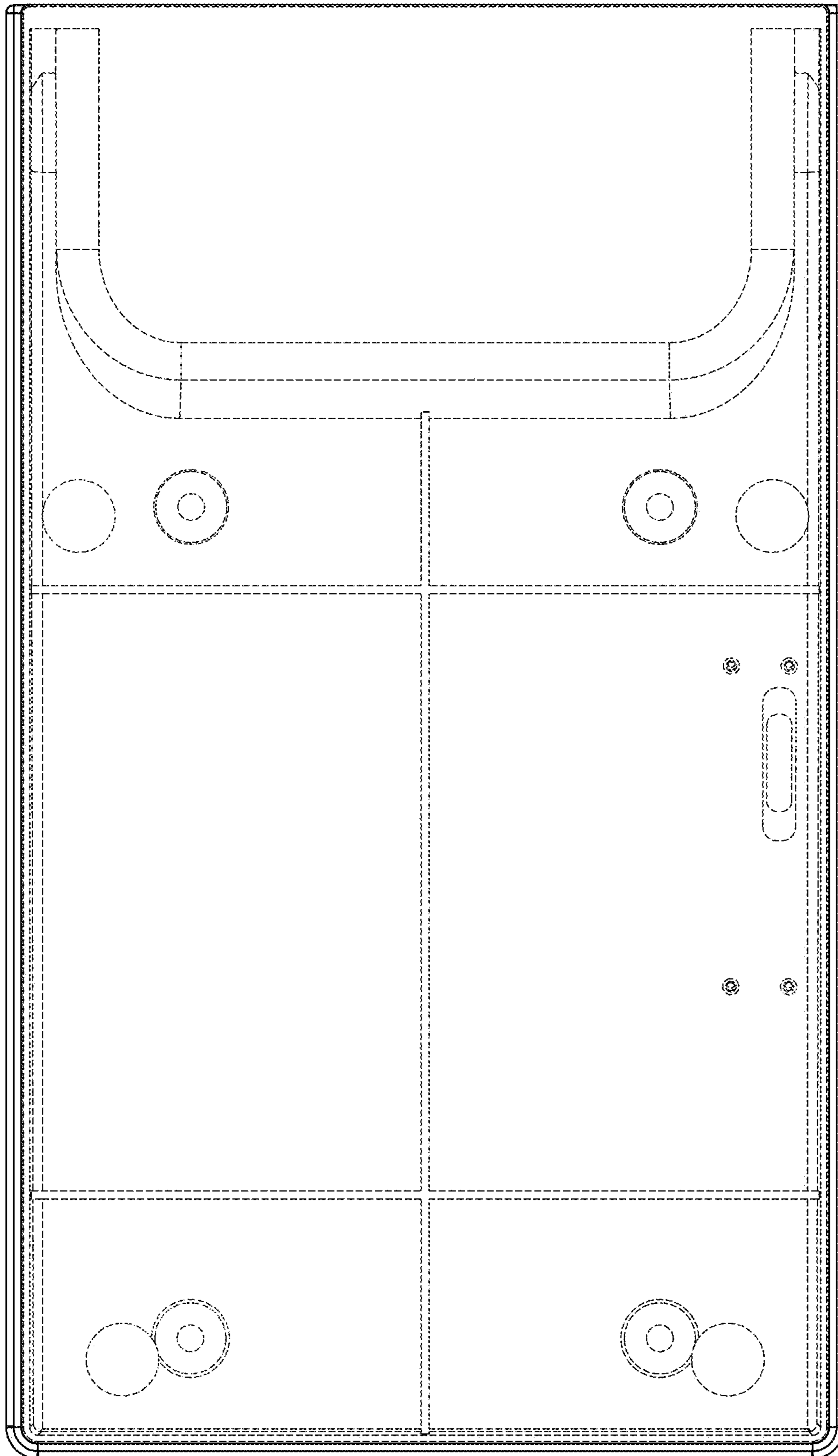


FIG. 5

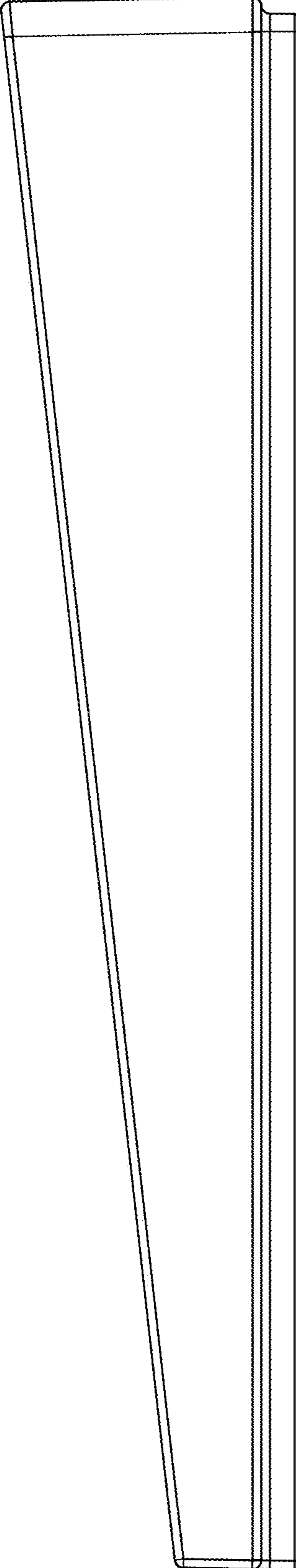


FIG. 6