



US00D942940S

(12) **United States Design Patent**
Lai et al.

(10) **Patent No.:** **US D942,940 S**
(45) **Date of Patent:** **** Feb. 8, 2022**

- (54) **PORTABLE POWER SUPPLY**
- (71) Applicants: **Keteng Lai**, Dongguan (CN);
Wanglong Xiong, Dongguan (CN)
- (72) Inventors: **Keteng Lai**, Dongguan (CN);
Wanglong Xiong, Dongguan (CN)
- (**) Term: **15 Years**
- (21) Appl. No.: **29/685,988**
- (22) Filed: **Apr. 2, 2019**
- (51) **LOC (13) Cl.** **13-02**
- (52) **U.S. Cl.**
USPC **D13/108; D13/103**
- (58) **Field of Classification Search**
USPC D13/102–110, 118–119, 184, 199;
D14/356, 432
CPC Y02E 60/10; Y02E 60/50; H01M 10/44;
H01M 10/46; H01M 10/465; H01M
10/482; H01M 2200/30; H01M 2250/30;
H01M 2250/40; H02J 7/00; H02J 7/0003;
H02J 7/0013; H04B 1/3888; A45C
2011/00; H04M 1/0283
See application file for complete search history.

- D890,089 S * 7/2020 Yin D13/107
- D902,857 S * 11/2020 Jia D13/110
- D911,273 S * 2/2021 Sun D13/108
- D911,957 S * 3/2021 Sun D13/108
- D920,234 S * 5/2021 Ishida D13/108

* cited by examiner

Primary Examiner — Nathaniel D. Buckner
(74) *Attorney, Agent, or Firm* — Bayramoglu Law Offices
LLC

(57) **CLAIM**

The ornamental design for a portable power supply, as shown and described.

DESCRIPTION

FIG. 1 is a front view of a portable power supply showing the new design;
 FIG. 2 is a rear view thereof;
 FIG. 3 is a left view thereof;
 FIG. 4 is a right view thereof;
 FIG. 5 is a top view thereof;
 FIG. 6 is a bottom side view thereof;
 FIG. 7 is a perspective view thereof.
 FIG. 8 is another perspective view thereof;
 FIG. 9 is an enlarged detail view of the area indicated in the FIG. 1; and,
 FIG. 10 is an enlarged detail view of the area indicated in the FIG. 5.

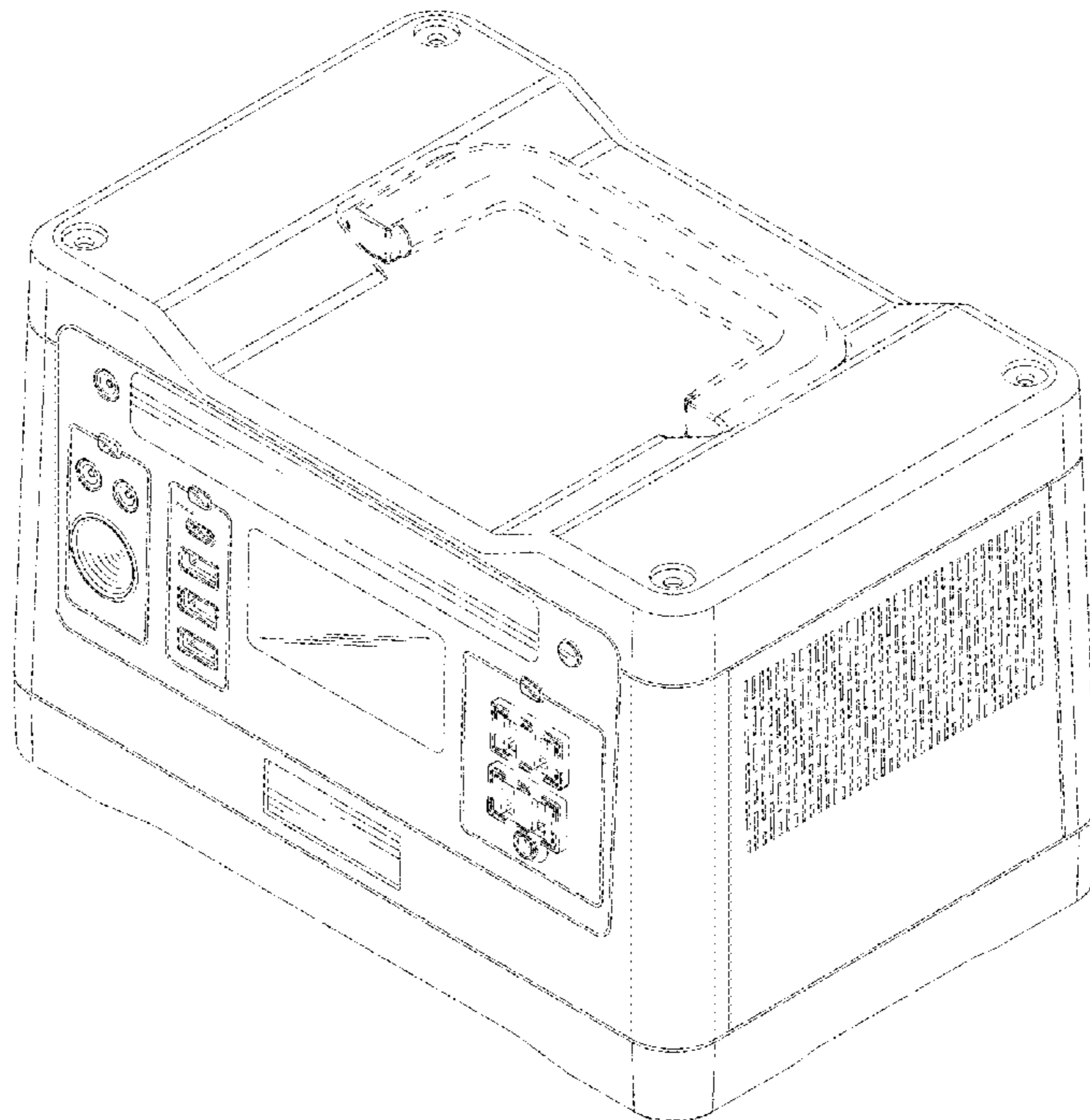
The broken lines in the figures depict portions of the article which form no part of the claimed design.
 The dot-dash broken lines indicate areas of enlarged detail view and form no part of the claimed design.

1 Claim, 10 Drawing Sheets

(56) **References Cited**

U.S. PATENT DOCUMENTS

- D469,401 S * 1/2003 Griffey D13/110
- D712,834 S * 9/2014 Munro D13/116
- D741,795 S * 10/2015 Conrad D13/108
- D842,240 S * 3/2019 Lai D13/107
- D856,930 S * 8/2019 Huang D13/116
- D868,686 S * 12/2019 Zhong D13/107
- D870,042 S * 12/2019 Chen D13/110
- D887,357 S * 6/2020 Liao D13/110



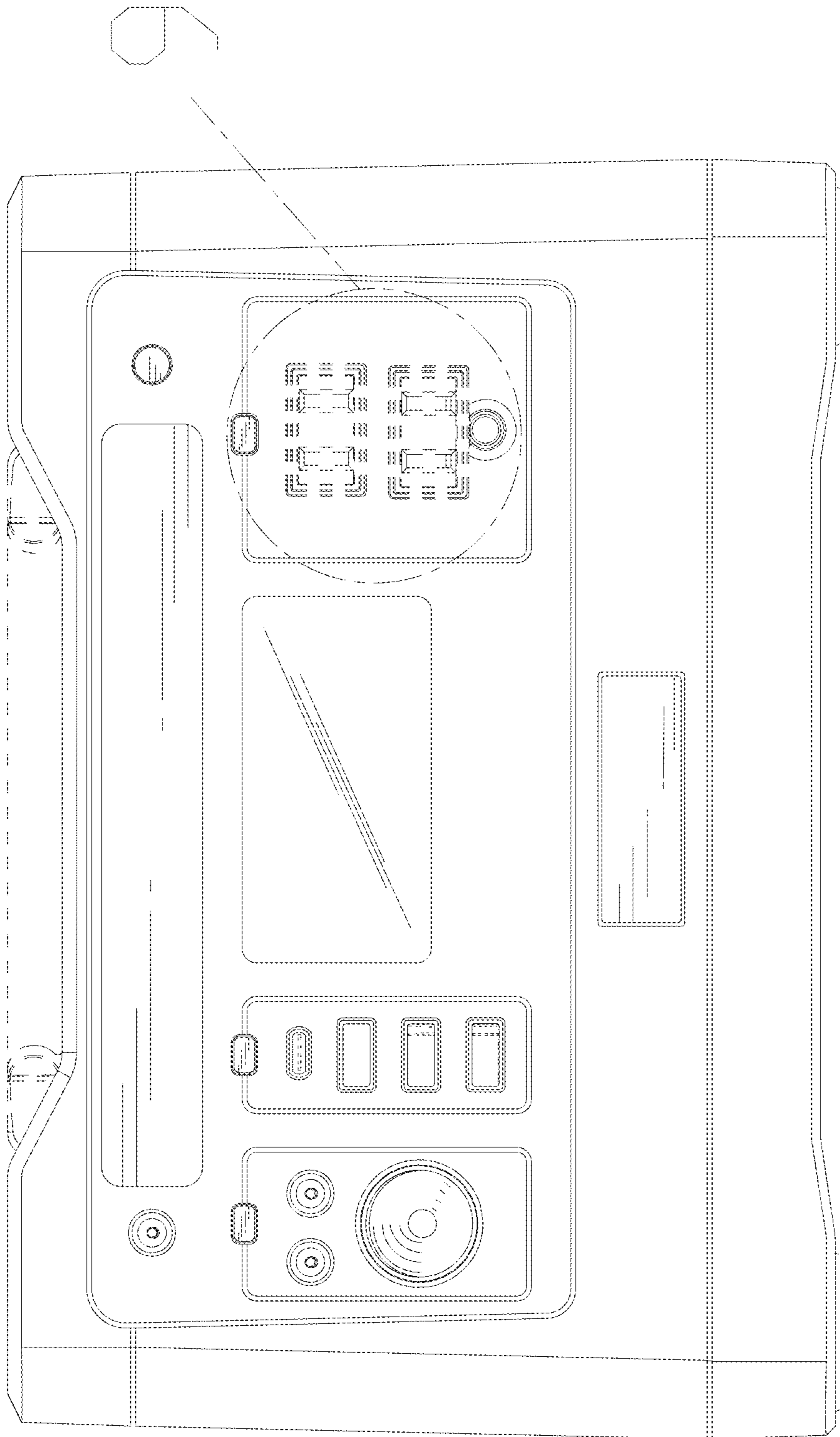


FIG. 1

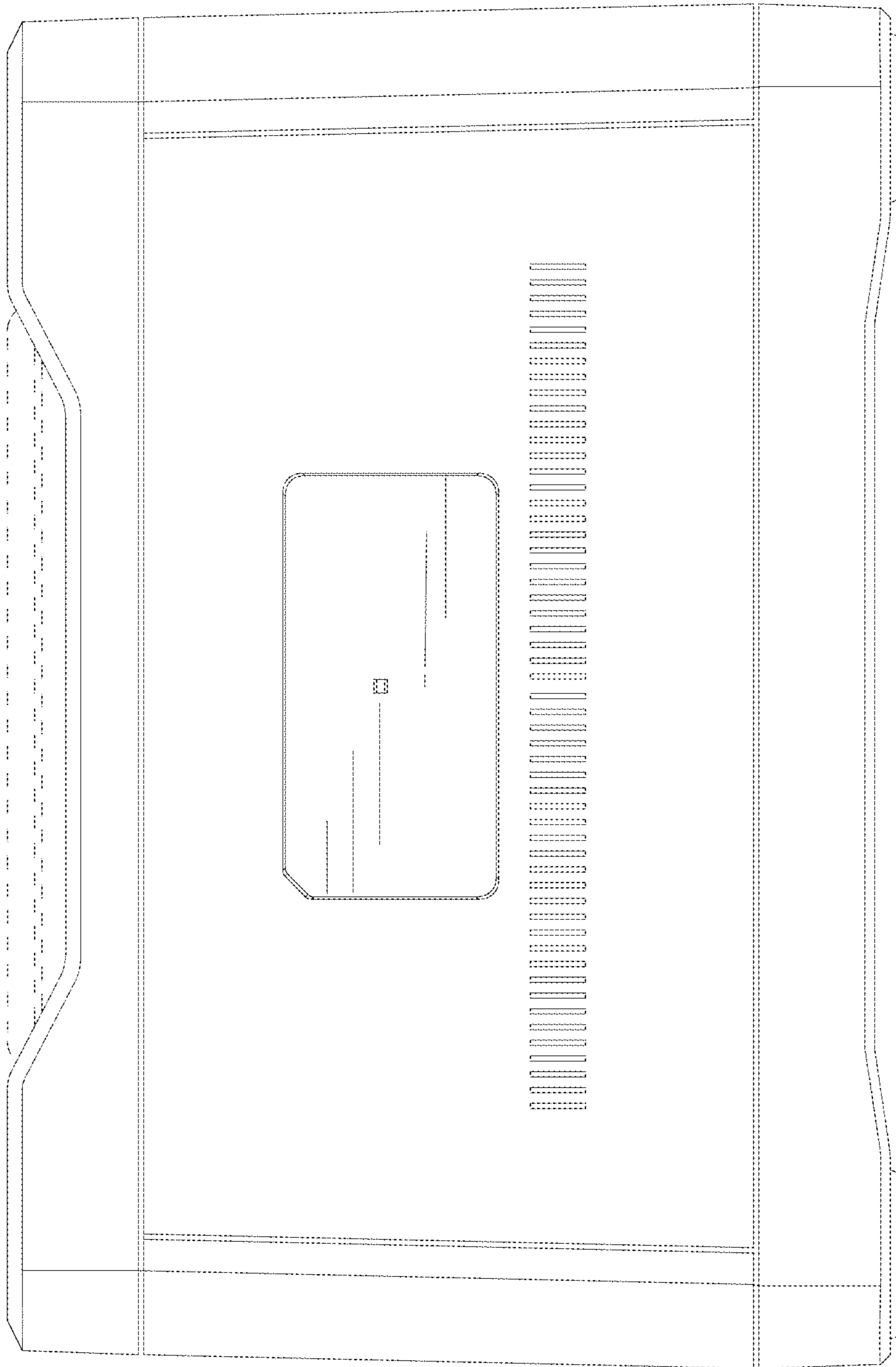


FIG. 2

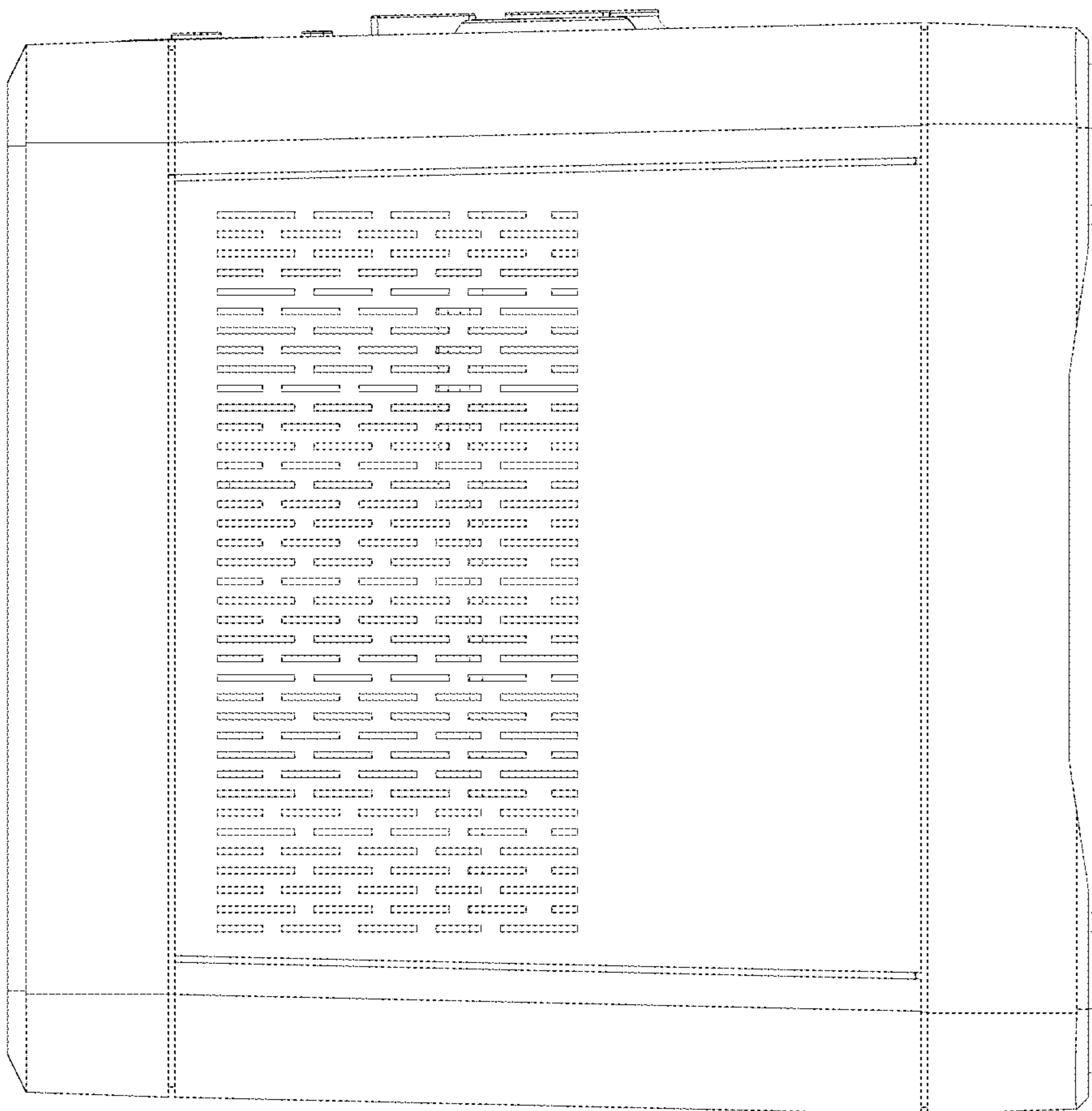


FIG. 3

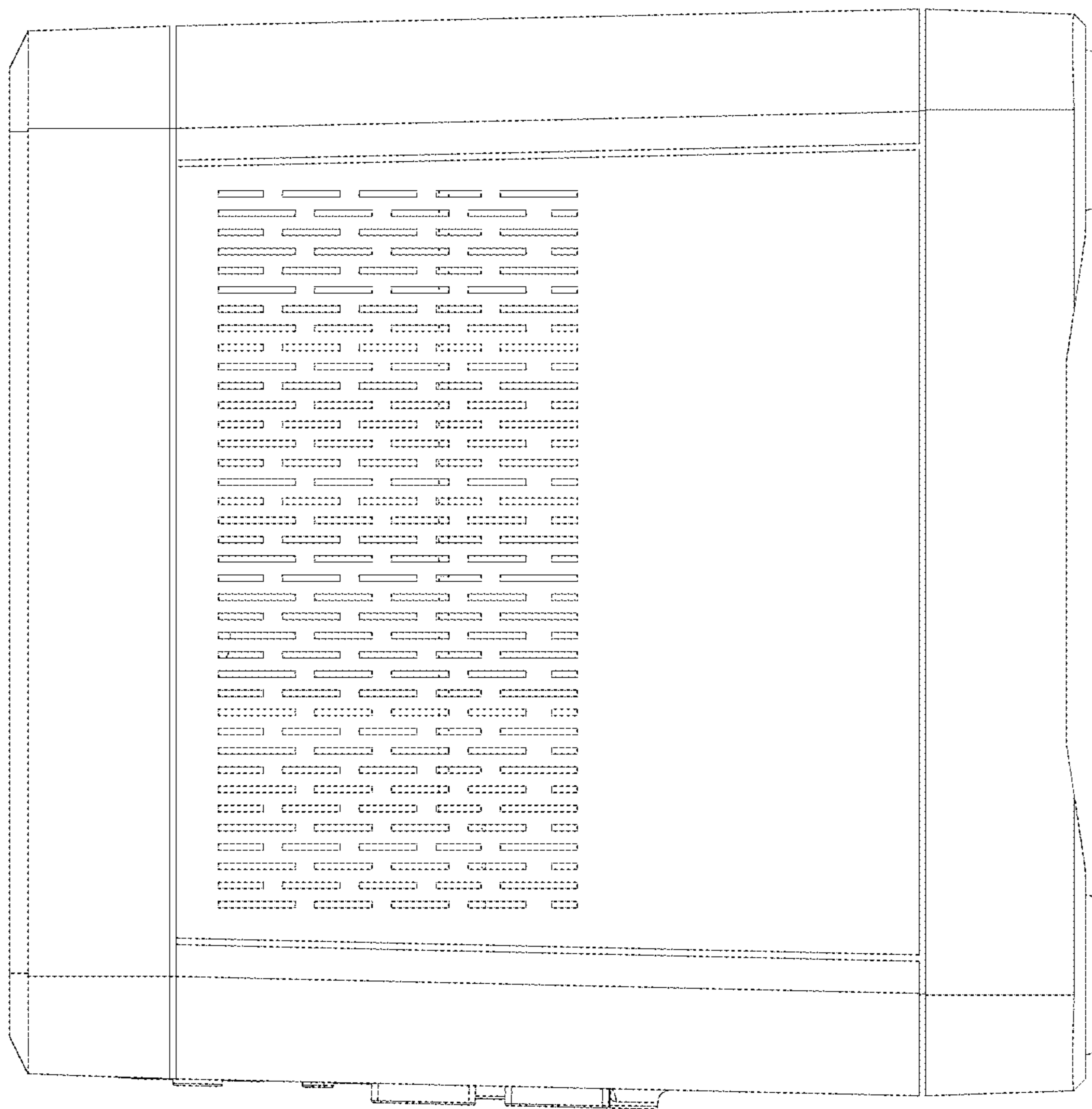


FIG. 4

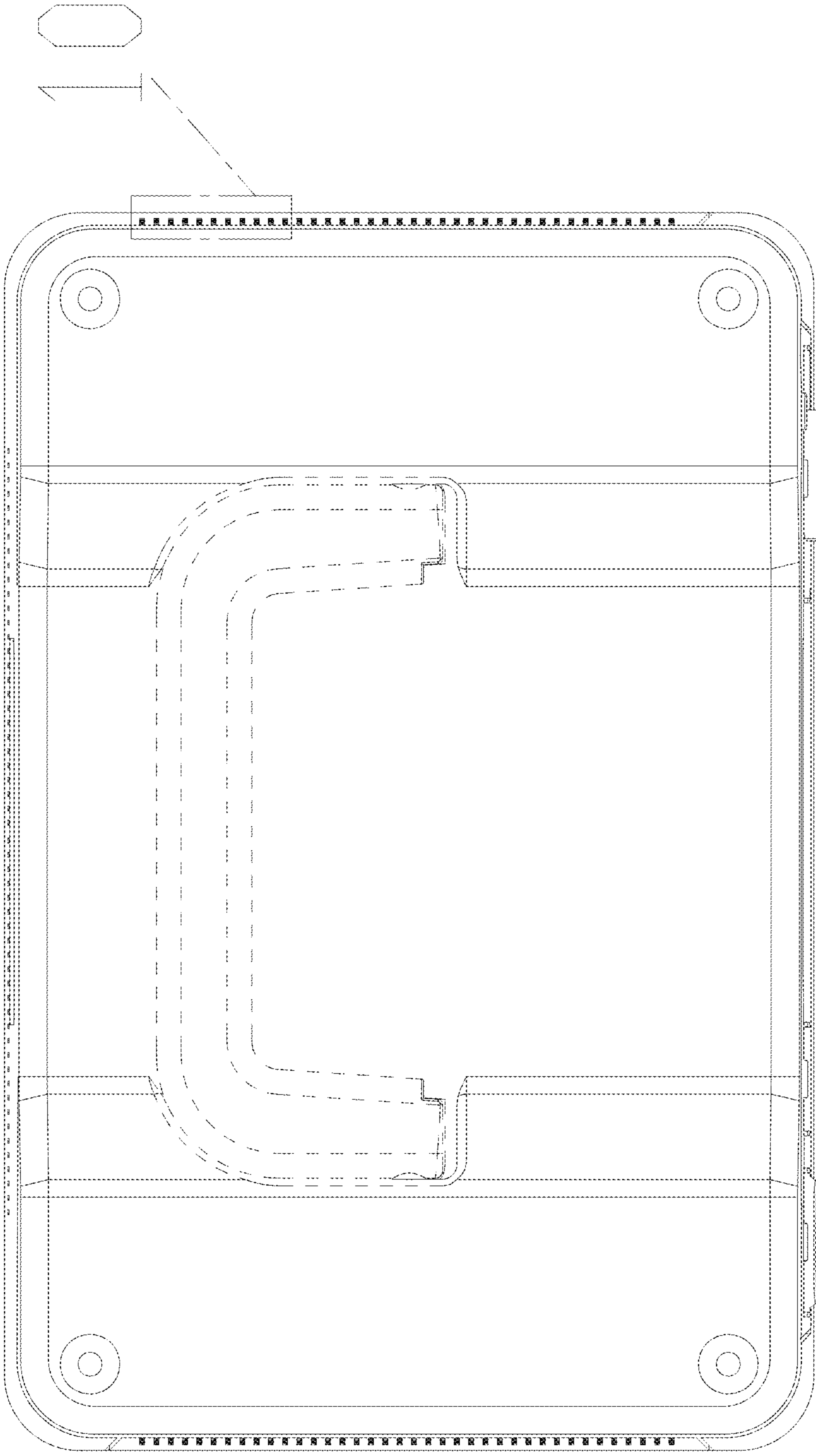


FIG. 5

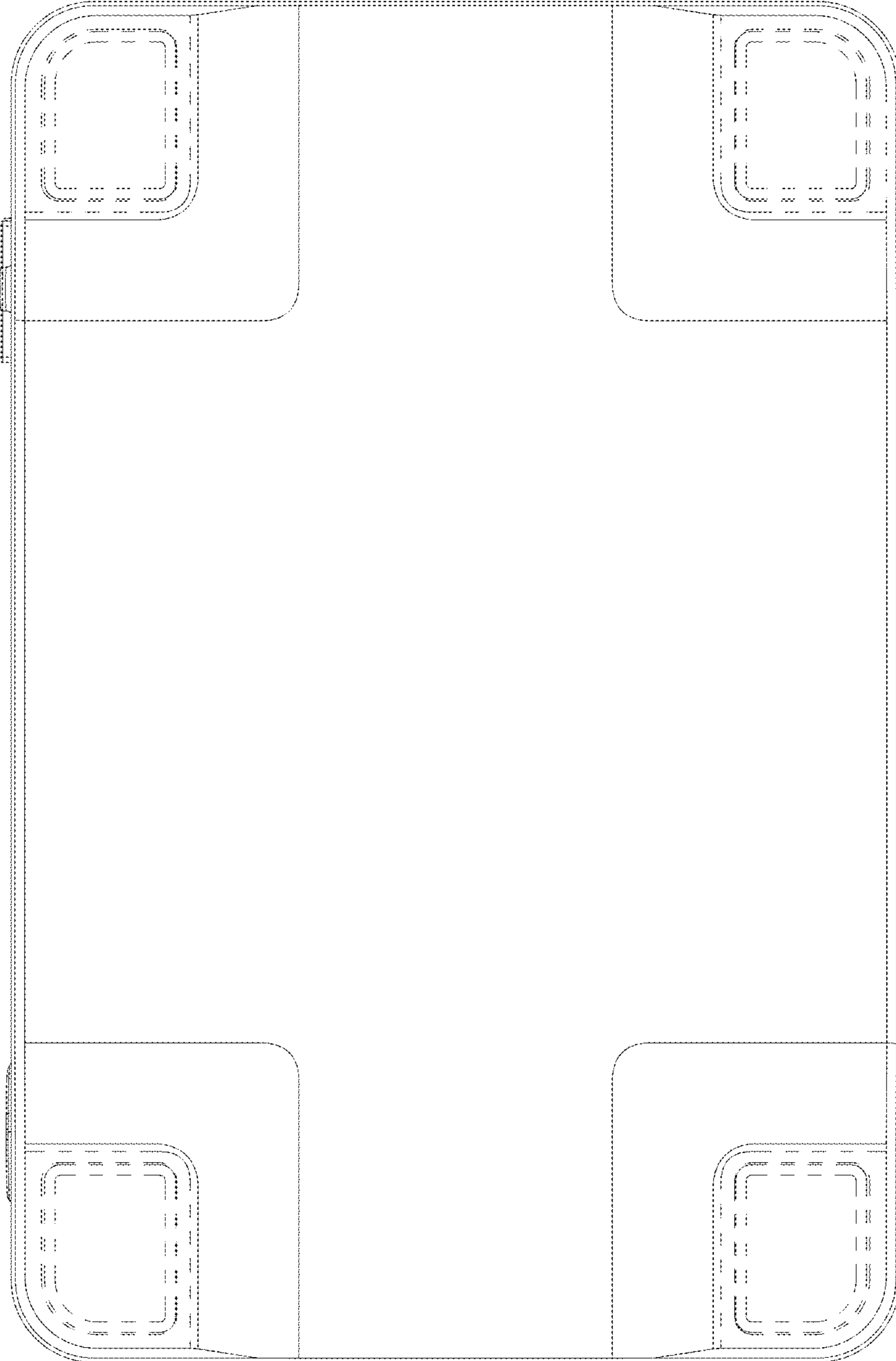


FIG. 6

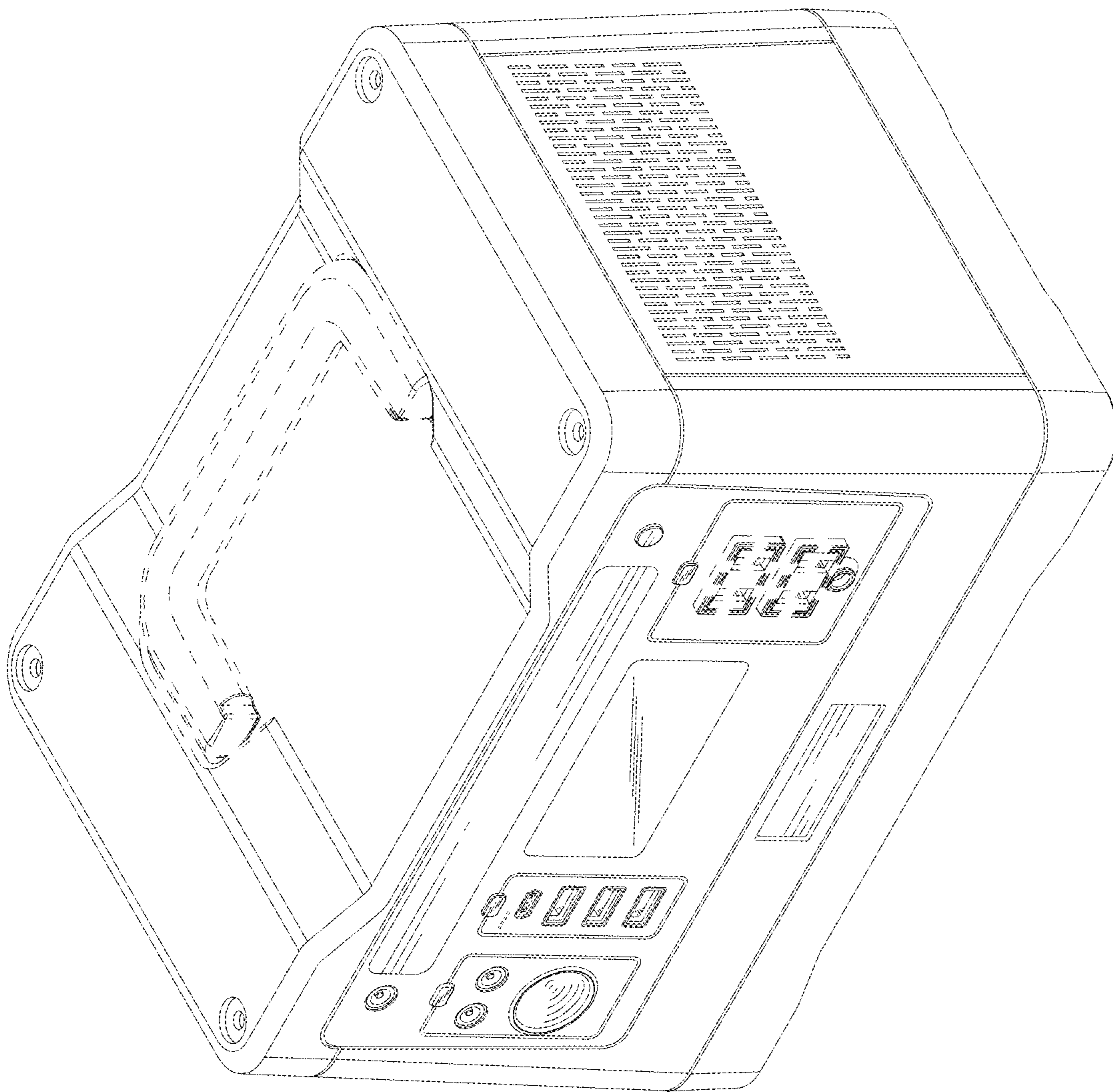


FIG. 7

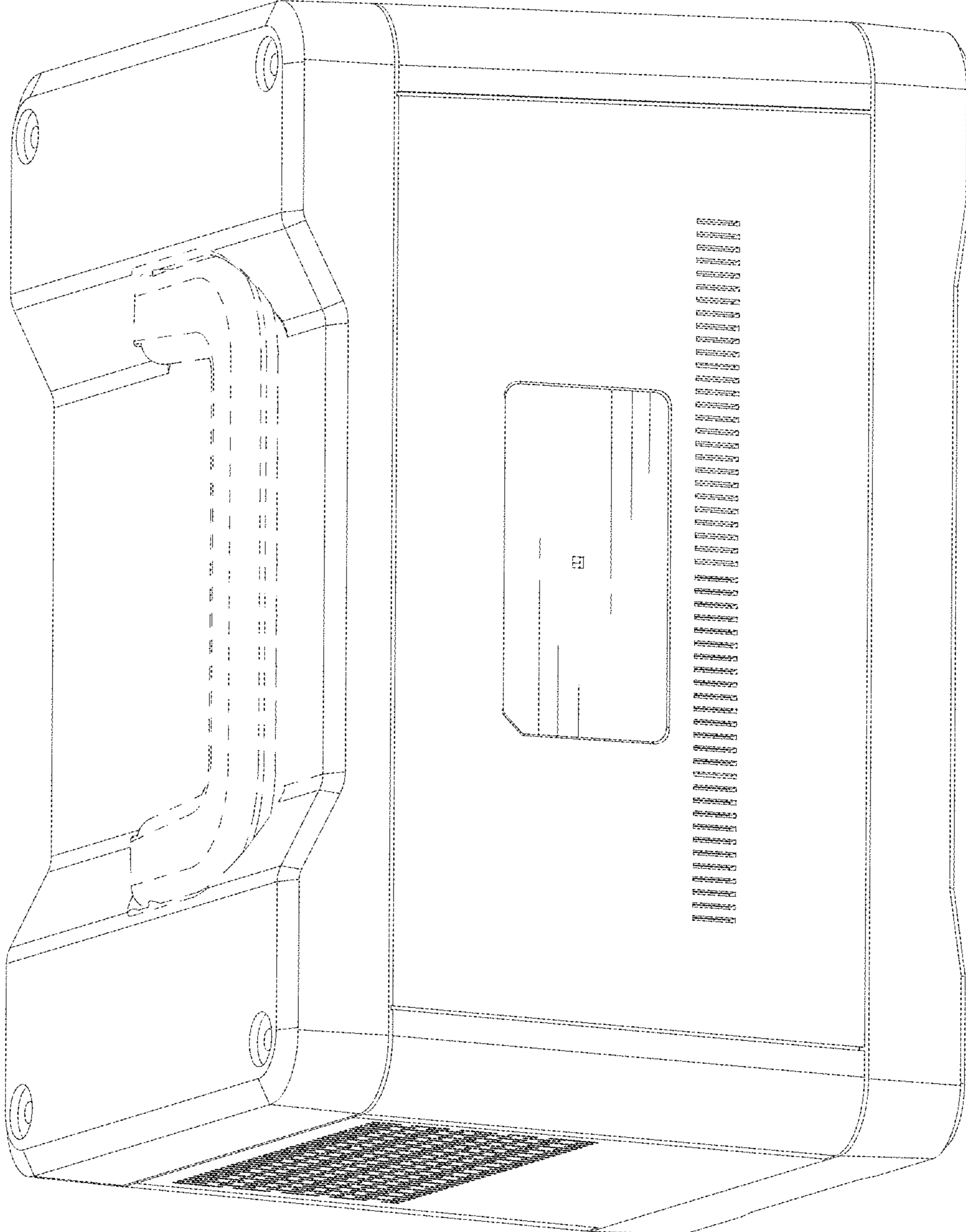


FIG. 8

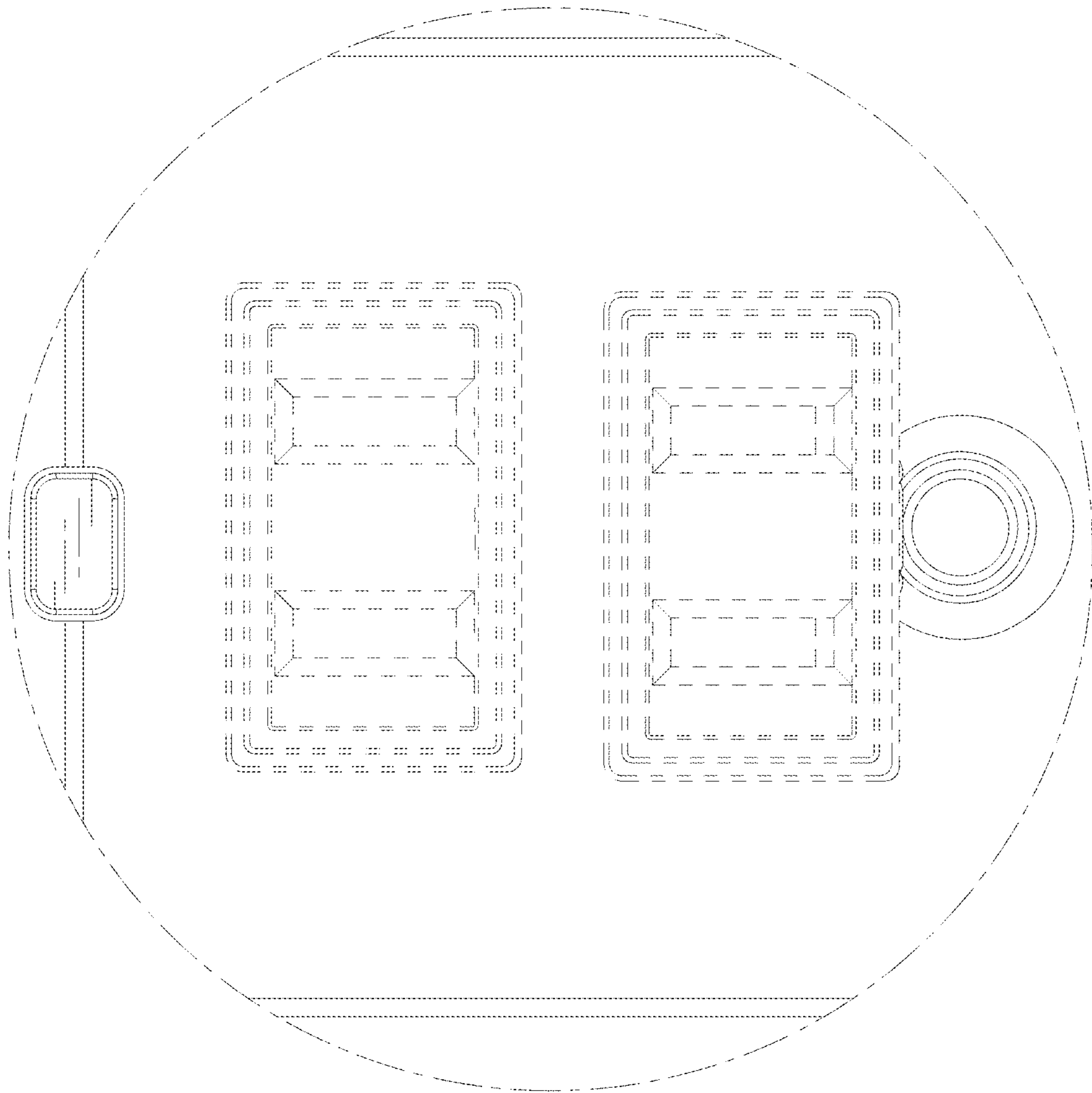


FIG. 9

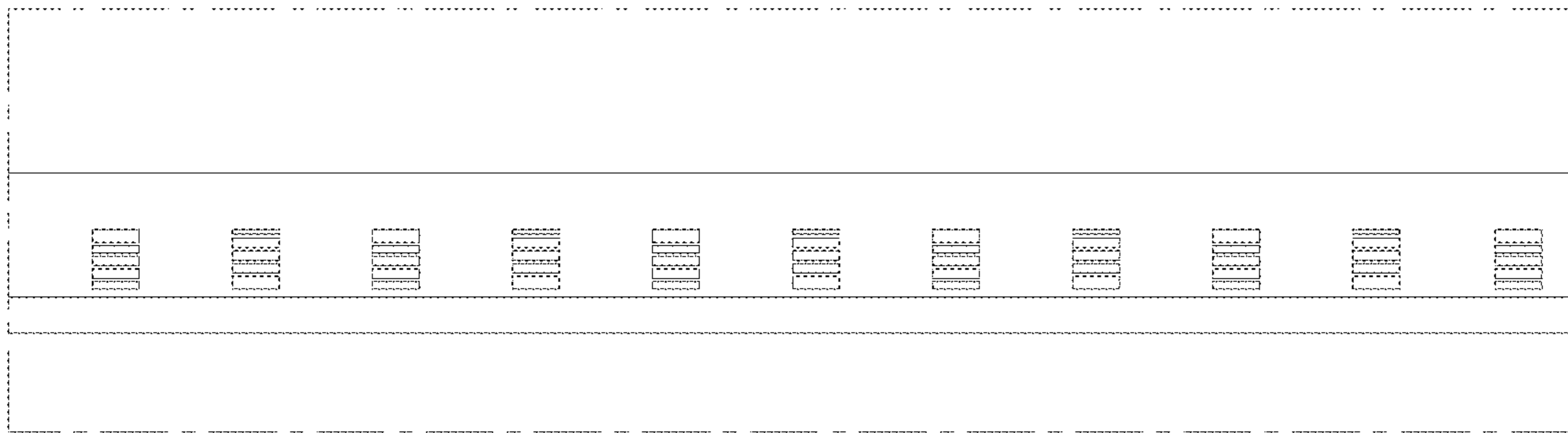


FIG. 10