



US00D942939S

(12) **United States Design Patent**  
**Bourgeois**

(10) **Patent No.:** **US D942,939 S**

(45) **Date of Patent:** **\*\* Feb. 8, 2022**

(54) **CHARGER**

(71) Applicant: **BABYLISS FACO SRL**, Wandre (BE)

(72) Inventor: **Sophie Bourgeois**, Liege (BE)

(73) Assignee: **BABYLISS FACO SRL**, Wandre (BE)

(\*\*) Term: **15 Years**

(21) Appl. No.: **35/510,401**

(22) Filed: **Sep. 7, 2020**

(80) **Hague Agreement Data**

Int. Filing Date: **Sep. 7, 2020**

Int. Reg. No.: **DM/210300**

Int. Reg. Date: **Sep. 7, 2020**

Int. Reg. Pub. Date: **Sep. 25, 2020**

(51) **LOC (13) Cl.** ..... **13-03**

(52) **U.S. Cl.**  
USPC ..... **D13/107**

(58) **Field of Classification Search**  
USPC ..... D13/107, 138.1, 137.1–137.4, 110, 108  
CPC ..... H01R 13/6675; H01R 1/065  
See application file for complete search history.

(56) **References Cited**

**U.S. PATENT DOCUMENTS**

D614,130 S *	4/2010	Nylen	.....	D13/108
D621,349 S *	8/2010	Nylen	.....	D13/108
D640,631 S *	6/2011	Smith	.....	D13/138.1
D640,632 S *	6/2011	Smith	.....	D13/138.1
D669,434 S *	10/2012	Kim	.....	D13/110
9,236,699 B2 *	1/2016	Lai	.....	H01R 13/6675
9,343,850 B2 *	5/2016	Colahan	.....	H01R 31/065
D799,422 S *	10/2017	Chen	.....	D13/108
D804,412 S *	12/2017	Huang	.....	D13/108
D867,285 S *	11/2019	Akana	.....	D13/110
D879,712 S *	3/2020	Fan	.....	D13/108
D892,736 S *	8/2020	Jin	.....	D13/108
D892,737 S *	8/2020	Yuan	.....	D13/110

D899,373 S *	10/2020	Xu	.....	D13/138.1
D902,863 S *	11/2020	Yang	.....	D13/137.2
D903,589 S *	12/2020	Akana	.....	D13/110
D908,630 S *	1/2021	Huang	.....	D13/137.2
D911,948 S *	3/2021	Jin	.....	D13/108
D911,967 S *	3/2021	Little	.....	D13/137.2
D911,969 S *	3/2021	Canizares	.....	D13/137.2
D914,596 S *	3/2021	Akana	.....	D13/110
D924,805 S *	7/2021	Luo	.....	D13/137.2
D926,140 S *	7/2021	Lv	.....	D13/137.2
D926,697 S *	8/2021	Yu	.....	D13/137.2
D928,706 S *	8/2021	Akana	.....	D13/110
D929,328 S *	8/2021	Akana	.....	D13/110
D931,221 S *	9/2021	Hong	.....	D13/138.1

**OTHER PUBLICATIONS**

“Babyliss Charger . . . ” reference dated Sep. 30, 2021 found by RMS on the internet at: <https://www.directrepair.eu/charger-35206720-babyliss.html>.\*

“Battery Charger . . . ” reference dated Sep. 30, 2021 found by RMS on the internet at: <https://spares4shavers.co.uk/babyliss-battery-charger-discharger-power-supply-adaptor>.\*

\* cited by examiner

*Primary Examiner* — Rhea Shields

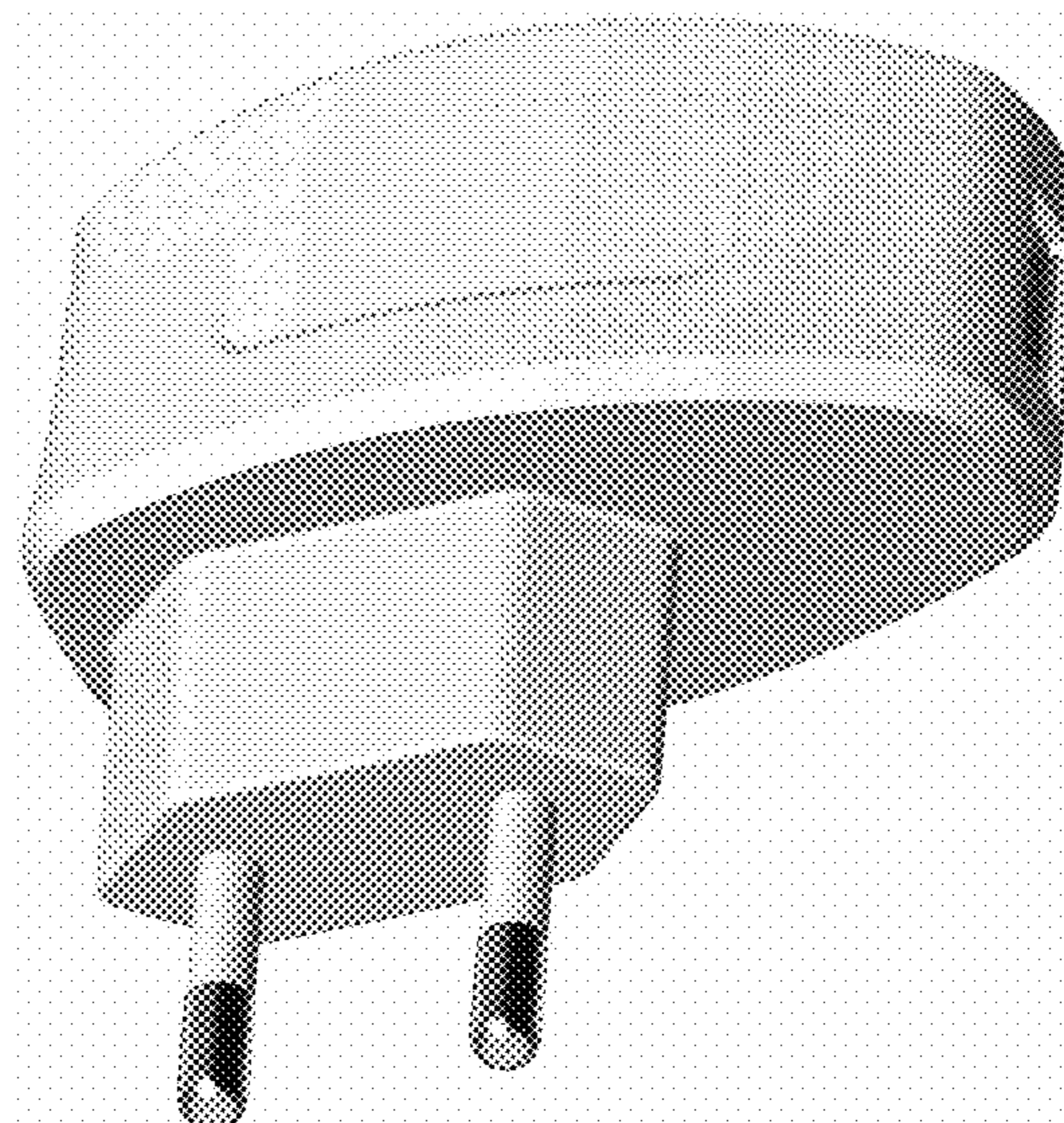
(57) **CLAIM**

The ornamental design for a charger, as shown and described.

**DESCRIPTION**

1. Charger
- 1.1 is a perspective view;
- 1.2 is a front view;
- 1.3 is a rear view;
- 1.4 is a top view; and
- 1.5 is a bottom view;
- 1.6 is a side view; and
- 1.7 is a top perspective view; and
- 1.8 is another side view.

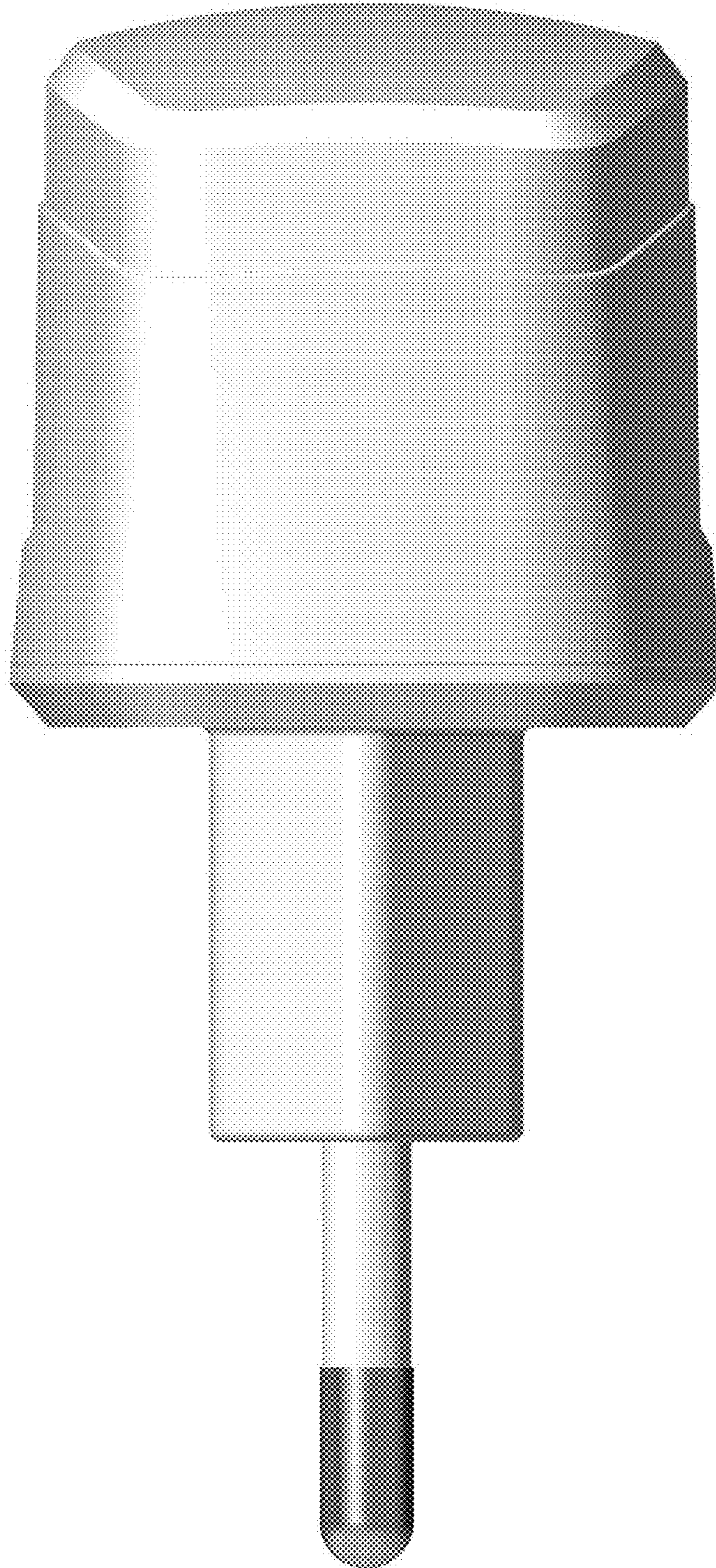
**1 Claim, 8 Drawing Sheets**



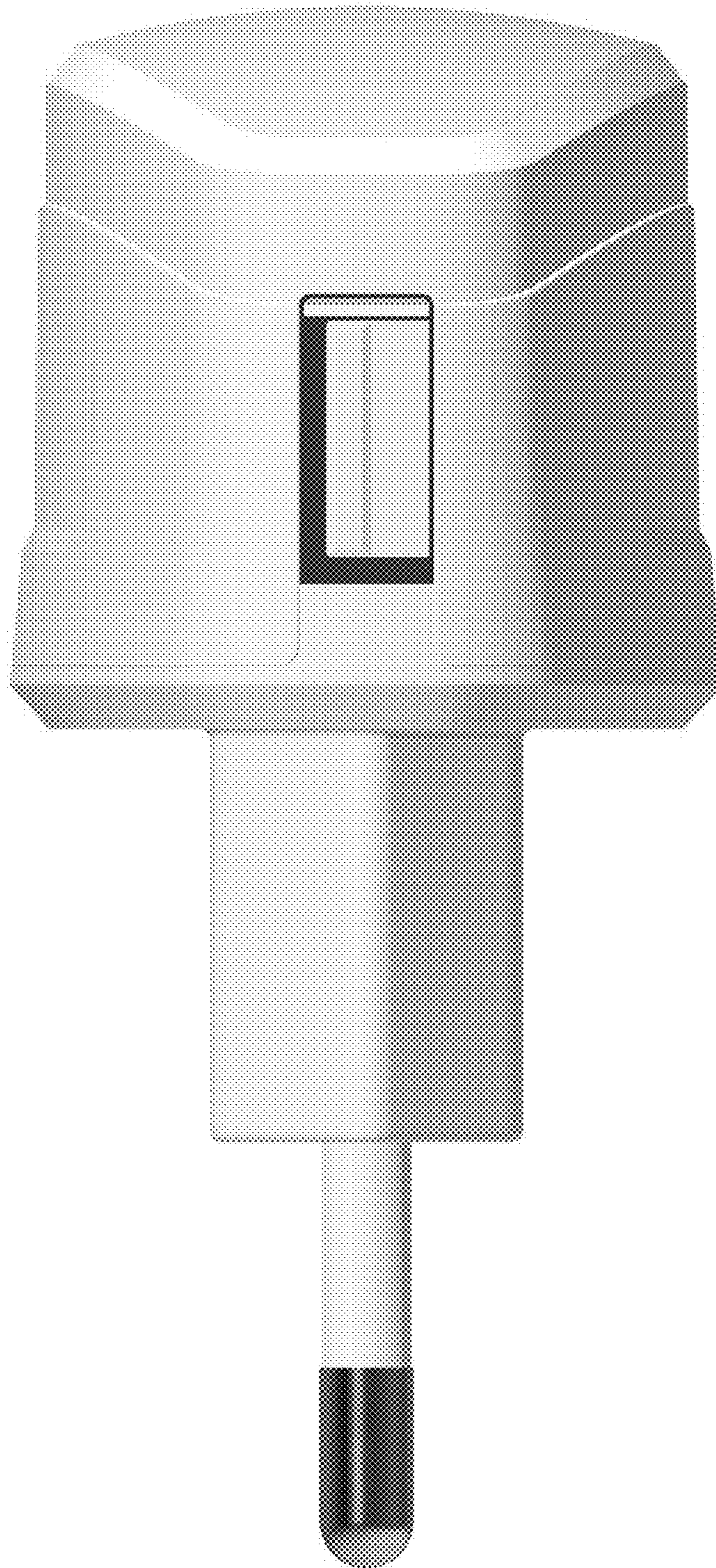
1.1



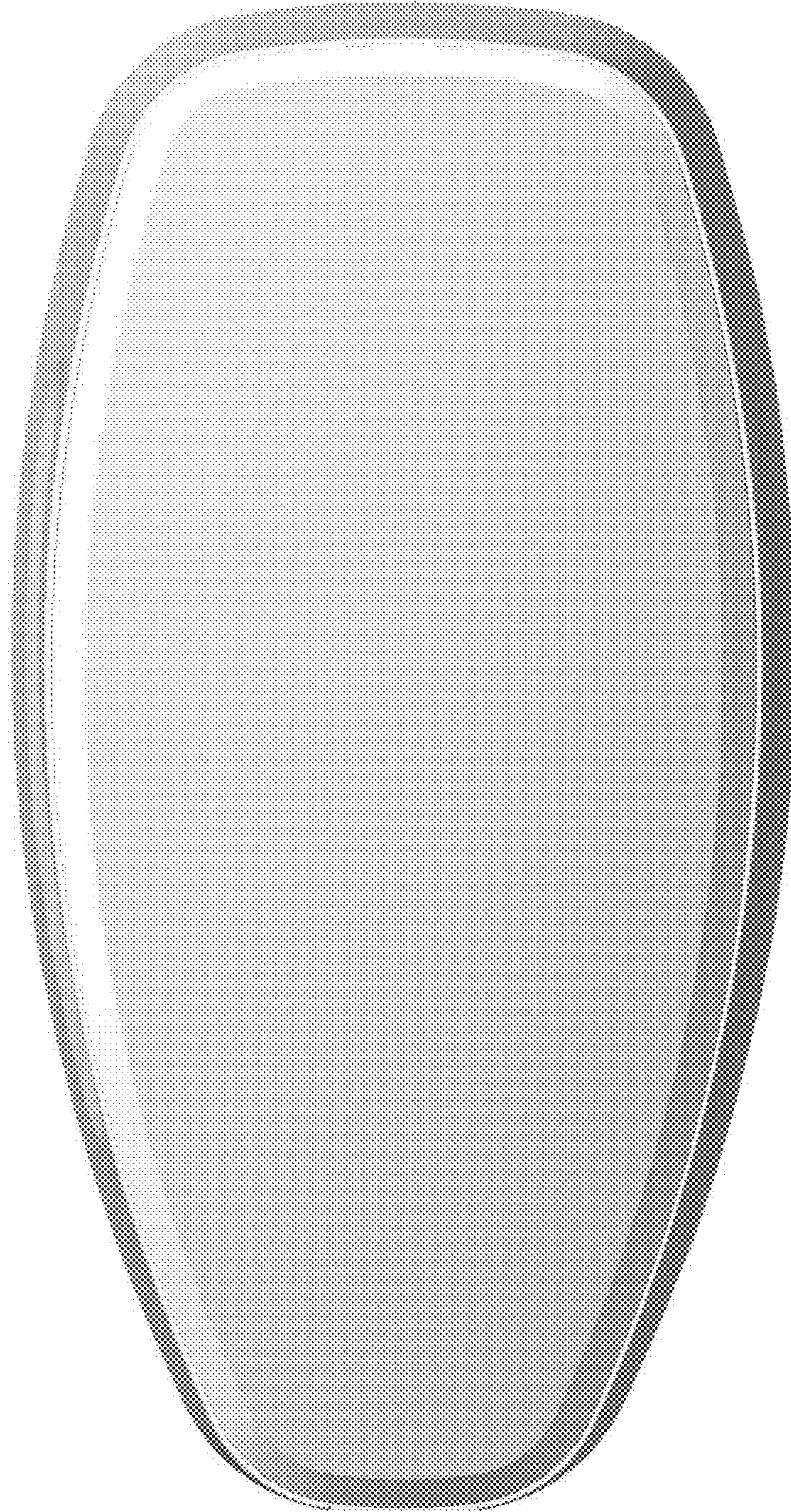
1.2



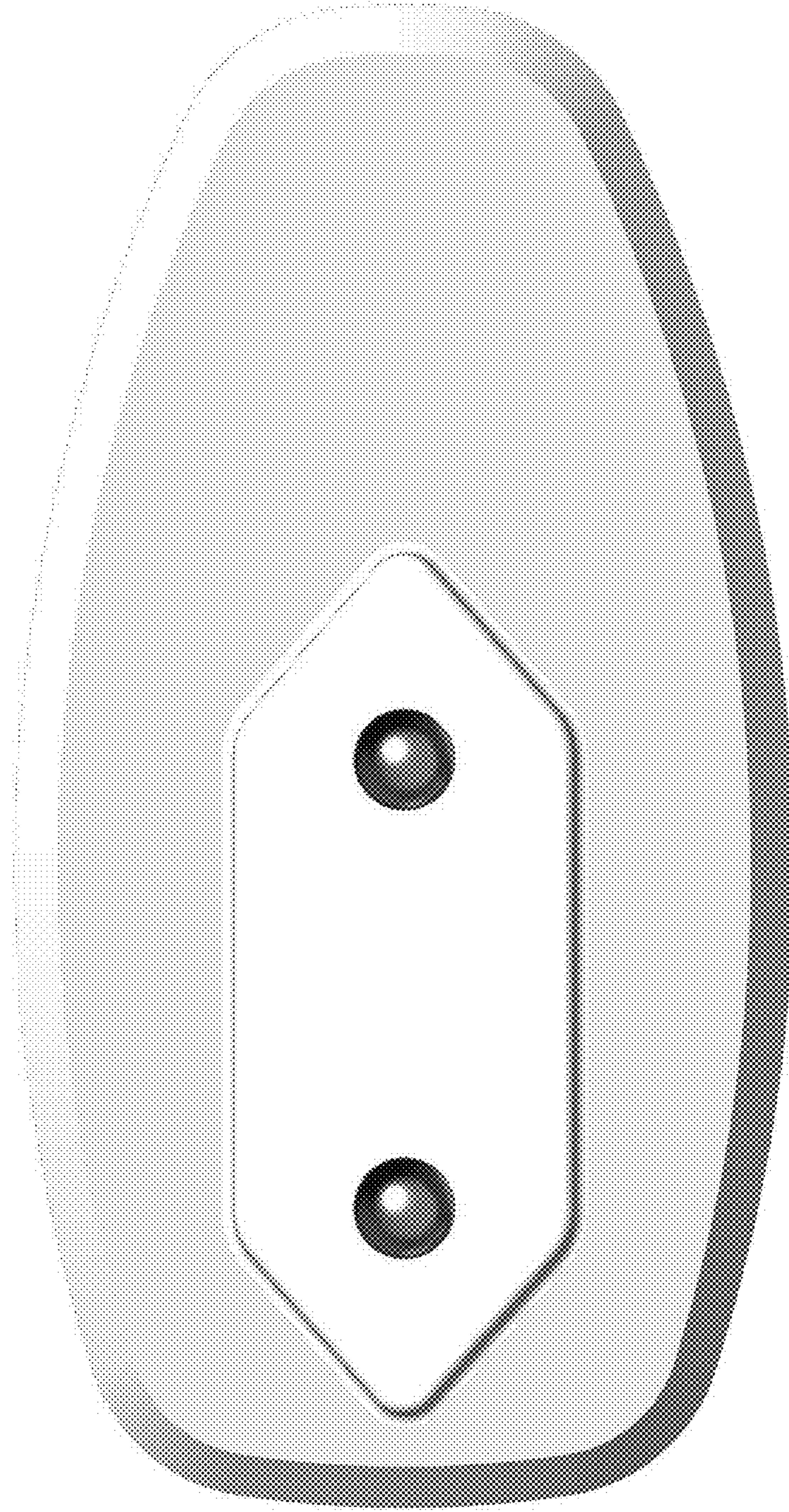
1.3



1.4



1.5



1.6



1.7





1.8

