



US00D942937S

(12) **United States Design Patent** (10) **Patent No.:** **US D942,937 S**  
**Kihl et al.** (45) **Date of Patent:** **\*\* Feb. 8, 2022**

(54) **CHARGER FOR VEHICLES DRIVEN ELECTRICALLY**

(71) Applicant: **LG ELECTRONICS INC.**, Seoul (KR)

(72) Inventors: **Hewon Kihl**, Seoul (KR); **Sechang Park**, Seoul (KR); **Sangwon Yoon**, Seoul (KR); **Yongho Lee**, Seoul (KR); **Kyeongchul Cho**, Seoul (KR)

(73) Assignee: **LG ELECTRONICS INC.**, Seoul (KR)

(\*\*) Term: **15 Years**

(21) Appl. No.: **35/509,114**

(22) Filed: **Oct. 16, 2019**

(80) **Hague Agreement Data**

Int. Filing Date: **Oct. 16, 2019**  
Int. Reg. No.: **DM/204881**  
Int. Reg. Date: **Oct. 16, 2019**  
Int. Reg. Pub. Date: **Apr. 17, 2020**

(30) **Foreign Application Priority Data**

Apr. 26, 2019 (KR) ..... 30-2019-0019839

(51) **LOC (13) Cl.** ..... **13-02**

(52) **U.S. Cl.**  
USPC ..... **D13/107**

(58) **Field of Classification Search**  
USPC ..... D13/108, 110, 107; D14/307  
CPC .. G07F 17/0042; B60L 11/1825; B60L 53/31;  
B60L 53/18; B60L 3/04  
See application file for complete search history.

(56) **References Cited**

**U.S. PATENT DOCUMENTS**

D626,064 S \* 10/2010 Cutter ..... D13/107  
D634,267 S \* 3/2011 Blain ..... D13/107

D639,800 S \* 6/2011 Magruder ..... D14/307  
D647,053 S \* 10/2011 Gotou ..... D13/107  
D654,430 S \* 2/2012 Demers ..... D13/107  
D659,090 S \* 5/2012 deRoo ..... D13/107  
D659,635 S \* 5/2012 Hou ..... D13/107  
D669,026 S \* 10/2012 Oda ..... D13/107  
D674,334 S \* 1/2013 Cutter ..... D13/107  
D676,376 S \* 2/2013 Yamada ..... D13/107  
D688,199 S \* 8/2013 Behar ..... D13/107  
D708,573 S \* 7/2014 Gieniec ..... D13/107  
D711,315 S \* 8/2014 Chin-Ho Kim ..... D13/107  
D720,285 S \* 12/2014 Gilomen ..... D13/107  
D729,157 S \* 5/2015 Gilomen ..... D13/107  
D729,158 S \* 5/2015 Gilomen ..... D13/107  
D730,821 S \* 6/2015 Chin-Ho Kim ..... D13/107

(Continued)

**OTHER PUBLICATIONS**

“PSE&G Gains Approval to Jump-Start Electric Vehicle Charging in New Jersey” reference dated Jan. 27, 2021 found on the internet by RMS at: <https://nj.pseg.com/newsroom/newsrelease208>.\*

*Primary Examiner* — Rhea Shields  
(74) *Attorney, Agent, or Firm* — Birch, Stewart, Kolasch & Birch, LLP

(57) **CLAIM**

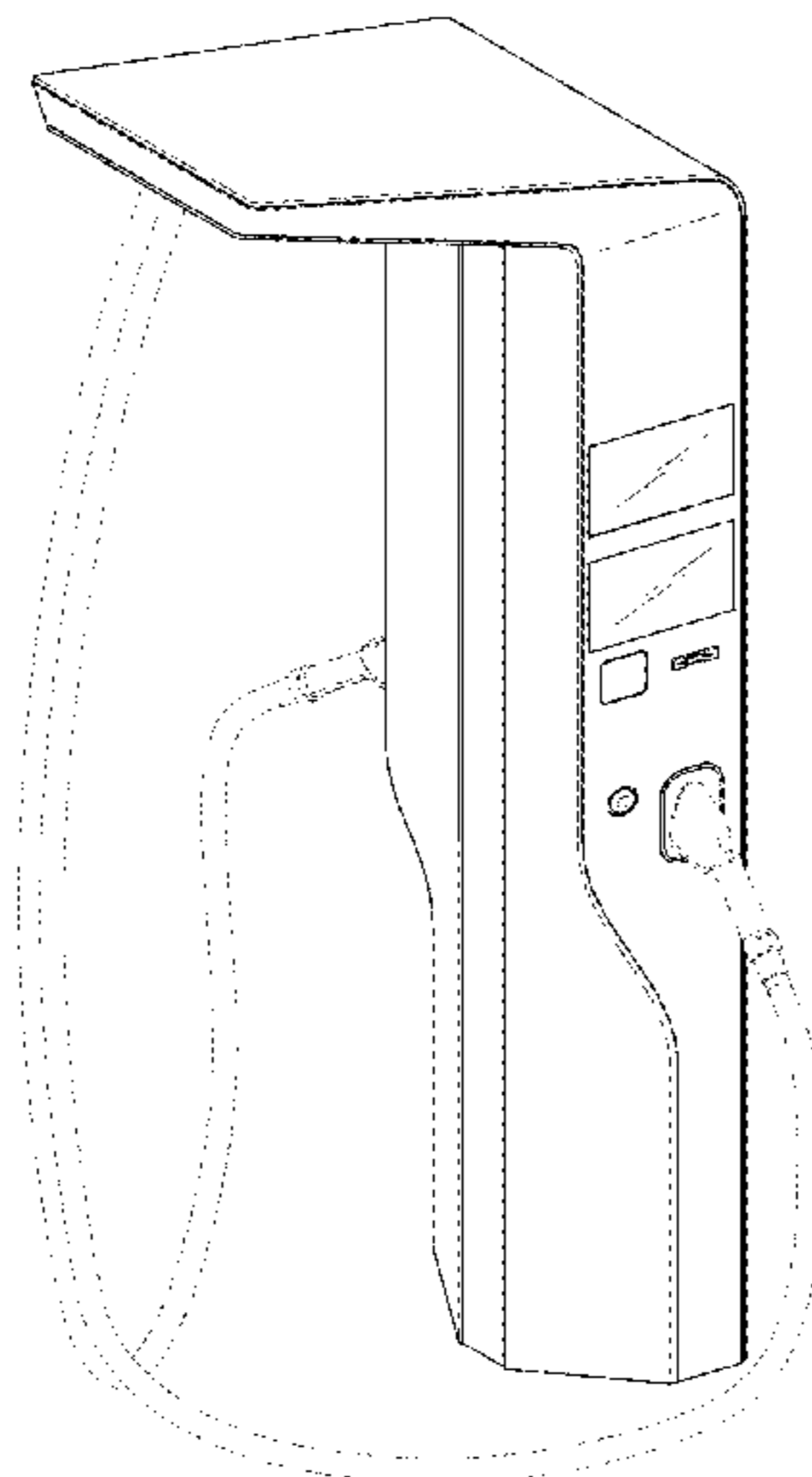
The ornamental design for a charger for vehicles driven electrically, as shown and described.

**DESCRIPTION**

- 1. Charger for vehicles driven electrically
- 1.1 : Perspective
- 1.2 : Front
- 1.3 : Back
- 1.4 : Left
- 1.5 : Right
- 1.6 : Top
- 1.7 : Bottom

In the Reproductions, the broken lines are for the purpose of showing portions of the charger for vehicles driven electrically that form no part of the claimed design.

**1 Claim, 7 Drawing Sheets**



(56)

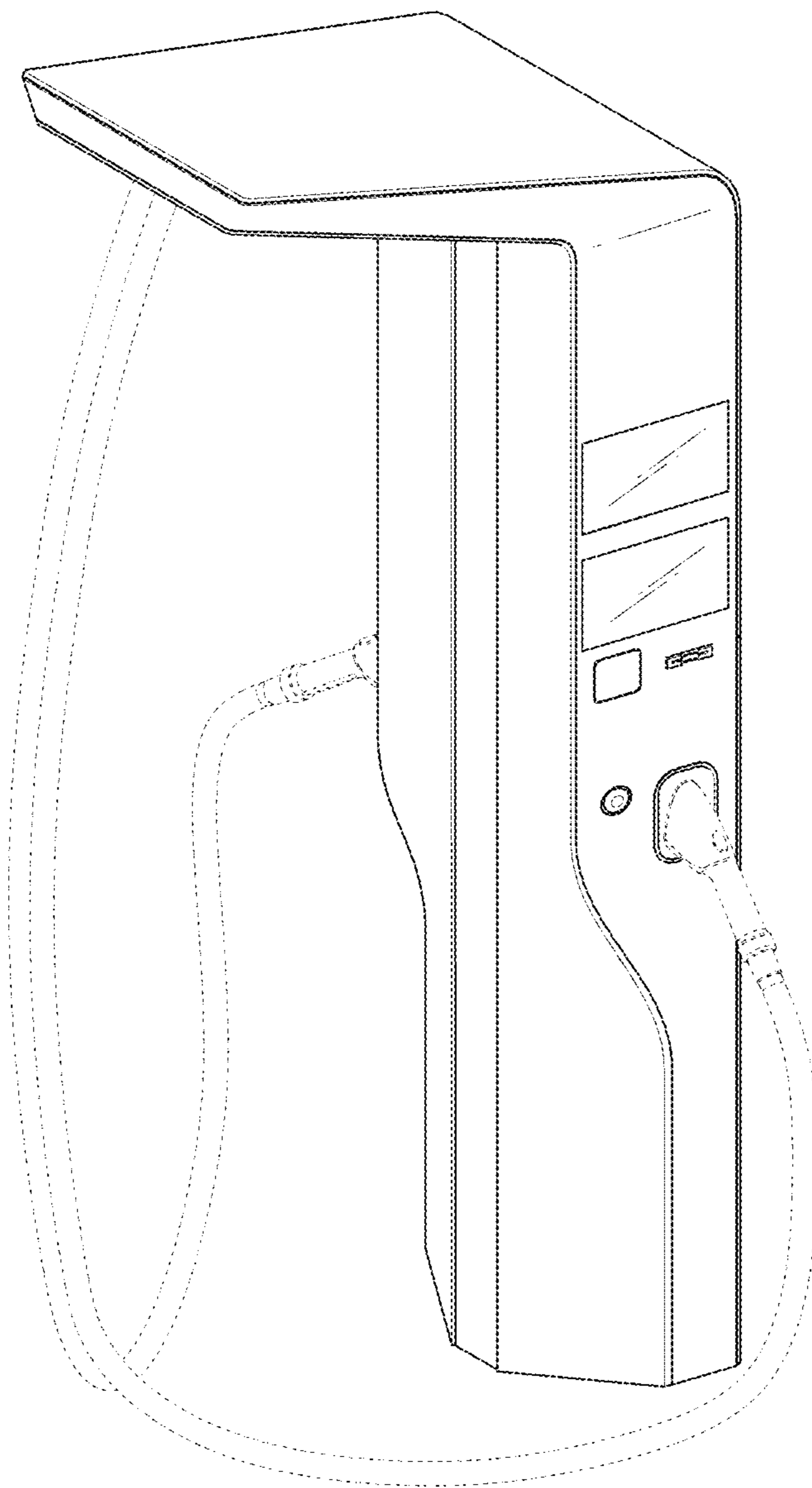
**References Cited**

U.S. PATENT DOCUMENTS

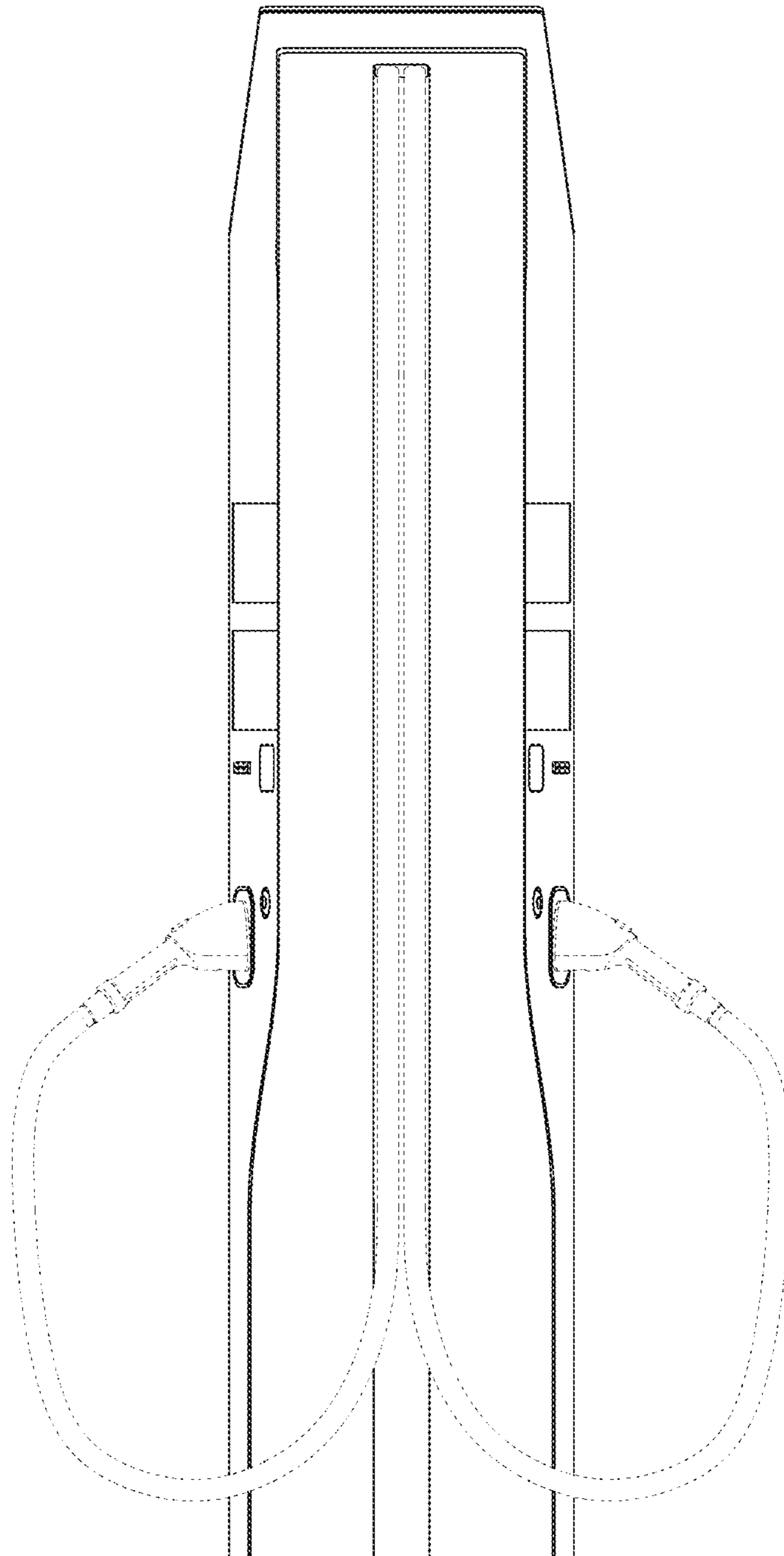
D733,647	S *	7/2015	Farrell	.....	D13/107
9,090,172	B2 *	7/2015	Ranga	.....	B60L 11/1825
D749,503	S *	2/2016	Ferguson	.....	D13/107
D778,818	S *	2/2017	Bruining	.....	D13/107
10,084,329	B2 *	9/2018	Hamilton	.....	G07F 17/0042
D833,387	S *	11/2018	Baxter	.....	D13/107
D838,668	S *	1/2019	Westfall	.....	D13/107
D844,559	S *	4/2019	Mercer	.....	D13/107
D868,687	S *	12/2019	da Silva	.....	D13/107
D876,345	S *	2/2020	Mercer	.....	D13/107
D889,397	S *	7/2020	Bouman	.....	D13/107
D889,400	S *	7/2020	Rasmussen	.....	D13/107
D893,414	S *	8/2020	Mercer	.....	D13/107
D912,619	S *	3/2021	Visser-de Lange	.....	D13/107
D914,593	S *	3/2021	Frerichs	.....	D13/110
2011/0145141	A1 *	6/2011	Blain	.....	B60L 3/04 705/39
2013/0069588	A1 *	3/2013	Oda	.....	B60L 53/18 320/109
2013/0207606	A1 *	8/2013	Ranga	.....	B60L 53/31 320/109

\* cited by examiner

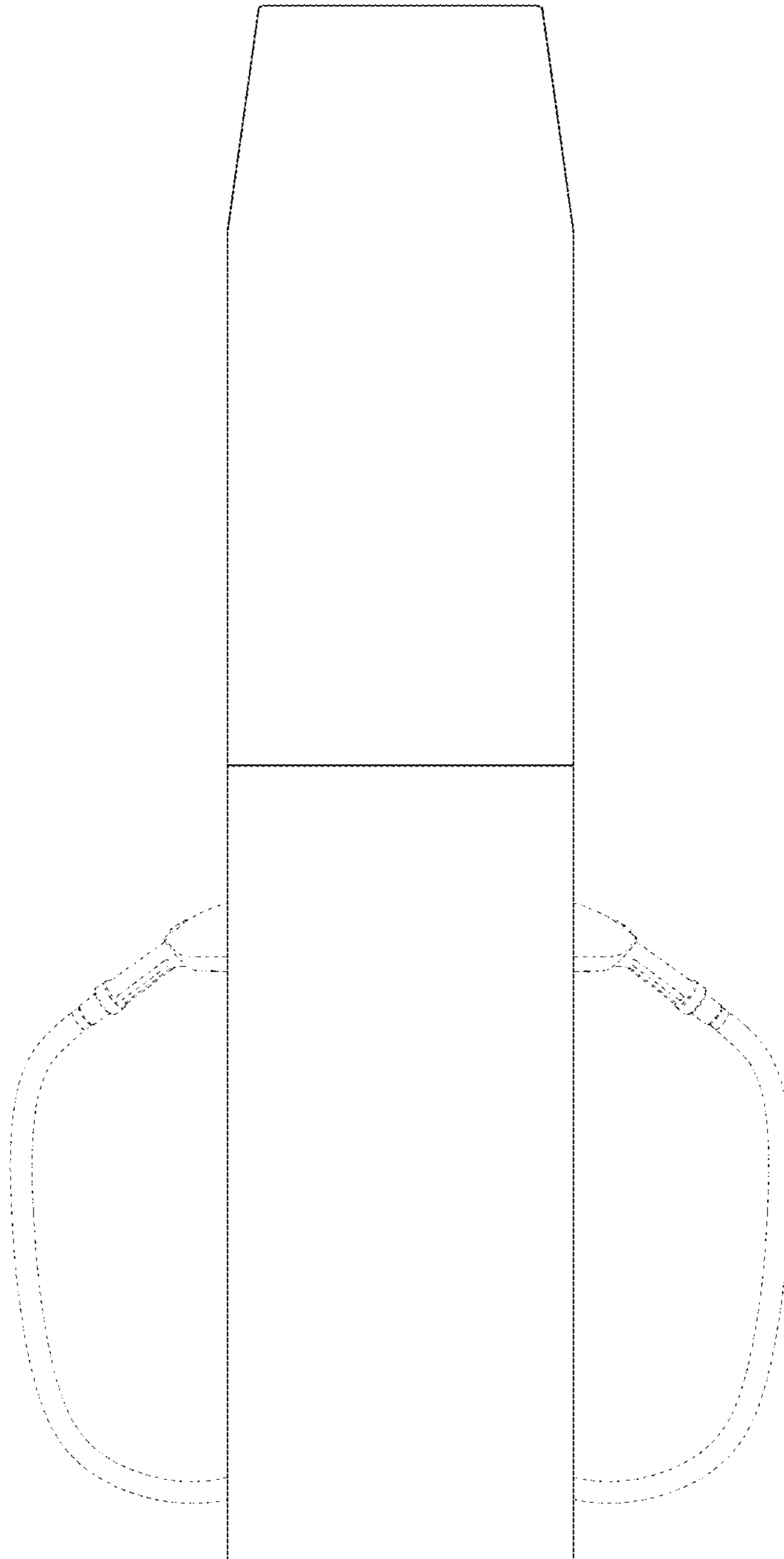
1.1



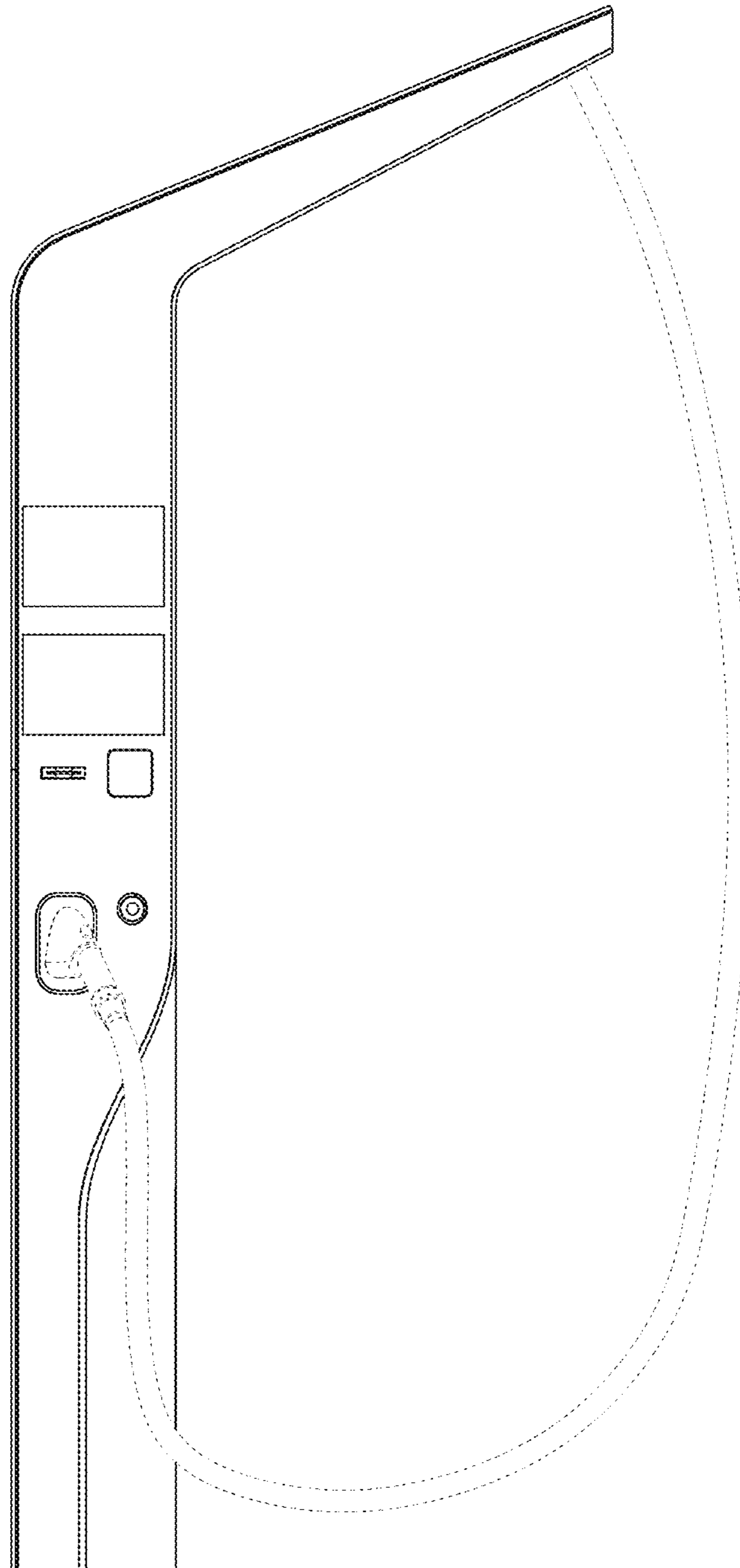
1.2



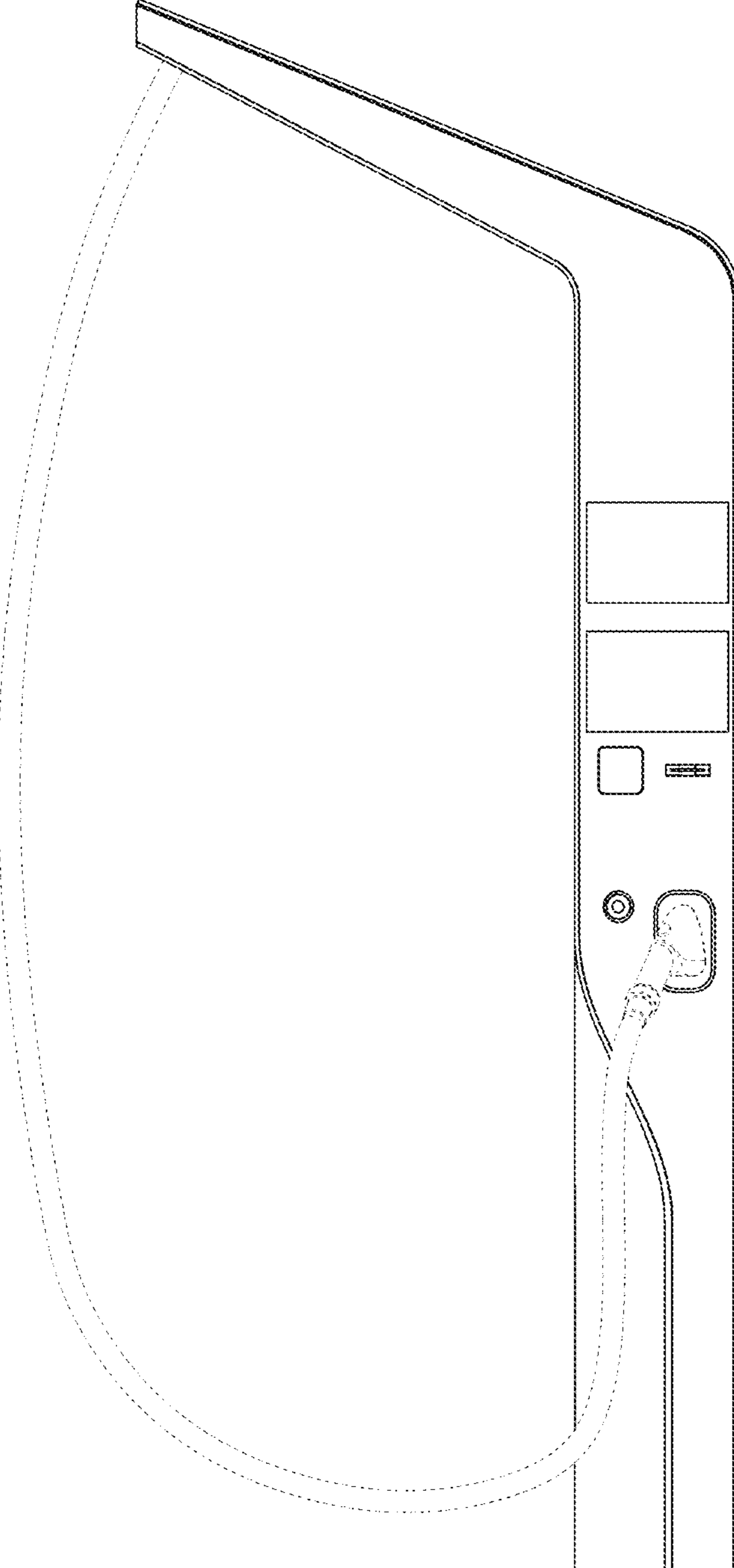
1.3



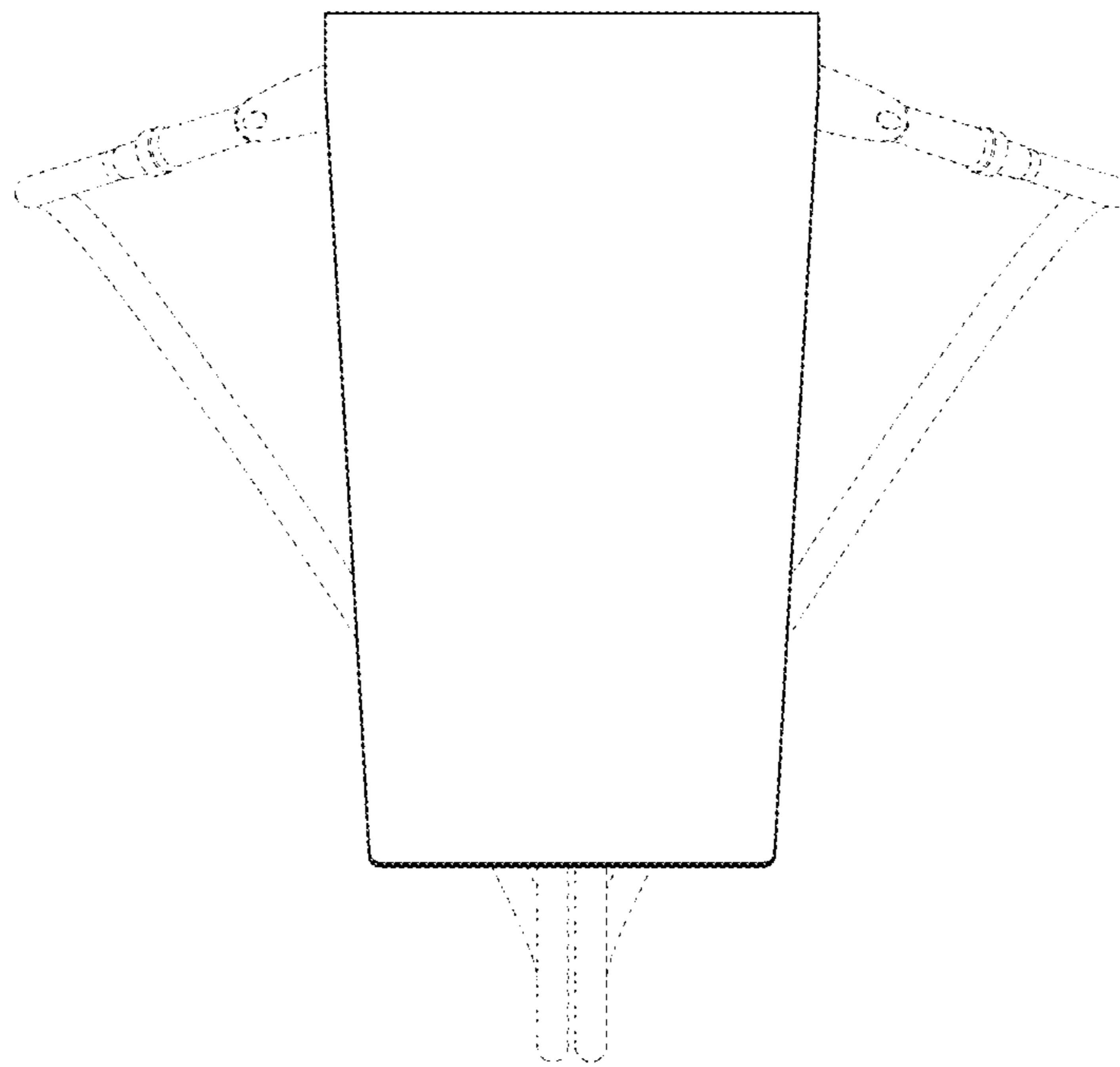
1.4



1.5



1.6





1.7

