



US00D942936S

(12) **United States Design Patent**  
**Deng et al.**

(10) **Patent No.:** **US D942,936 S**  
(45) **Date of Patent:** **\*\* Feb. 8, 2022**

- (54) **EMERGENCY POWER SUPPLY**
- (71) Applicant: **Shenzhen Juneng Vehicle Technology CO., LTD.,** Shenzhen (CN)
- (72) Inventors: **Haiquan Deng,** Shenzhen (CN);  
**Longlin Chen,** Shenzhen (CN)
- (73) Assignee: **Shenzhen Juneng Vehicle Technology CO., LTD.,** Shenzhen (CN)
- (\*\*) Term: **15 Years**
- (21) Appl. No.: **29/764,010**
- (22) Filed: **Dec. 28, 2020**
- (30) **Foreign Application Priority Data**

Oct. 15, 2020 (CN) ..... 202030614029.5

- (51) **LOC (13) Cl.** ..... **13-02**
- (52) **U.S. Cl.**  
USPC ..... **D13/107; D13/110**
- (58) **Field of Classification Search**  
USPC ..... D13/118–119, 184, 199, 103, 107–108,  
D13/110; D14/251, 253, 432, 434  
CPC ..... H02J 7/025; H02J 7/0042; H02J 7/0044;  
H02J 7/0045; H02J 7/0047; H02J 7/0003;  
H02J 7/00047; H02J 7/0013; H02J  
7/0027; H02J 7/02; H02J 50/10; H02J  
50/12  
See application file for complete search history.

(56) **References Cited**

**U.S. PATENT DOCUMENTS**

- D693,297 S \* 11/2013 Inskeep ..... D13/108
- D701,490 S \* 3/2014 Inskeep ..... D13/110
- D711,318 S \* 8/2014 Xinfang ..... D13/108
- D713,786 S \* 9/2014 Wen ..... D13/108

- D729,731 S \* 5/2015 Dasbach ..... D13/110
- D762,168 S \* 7/2016 Sandoval ..... D13/107
- D803,151 S \* 11/2017 Zhou ..... D13/107
- D823,243 S \* 7/2018 Toscani ..... D13/107
- D861,597 S \* 10/2019 Gan ..... D13/108
- D871,329 S \* 12/2019 Chen ..... D13/108
- D872,011 S \* 1/2020 Rao ..... D13/107
- D872,012 S \* 1/2020 Rao ..... D13/107
- D874,396 S \* 2/2020 Rao ..... D13/107
- D877,070 S \* 3/2020 Lemelson ..... D13/108
- D885,330 S \* 5/2020 Gan ..... D13/107
- D892,727 S \* 8/2020 Gan ..... D13/107
- D902,851 S \* 11/2020 Wu ..... D13/107
- D908,085 S \* 1/2021 Liu ..... D13/110
- D911,936 S \* 3/2021 Miller ..... H02J 1/122  
D13/107
- D911,938 S \* 3/2021 Zhou ..... D13/108
- D919,572 S \* 5/2021 Lei ..... D13/110
- D926,124 S \* 7/2021 Zhu ..... D13/107

\* cited by examiner

*Primary Examiner* — Rosemary K Tarcza  
(74) *Attorney, Agent, or Firm* — Banner & Witcoff, Ltd.

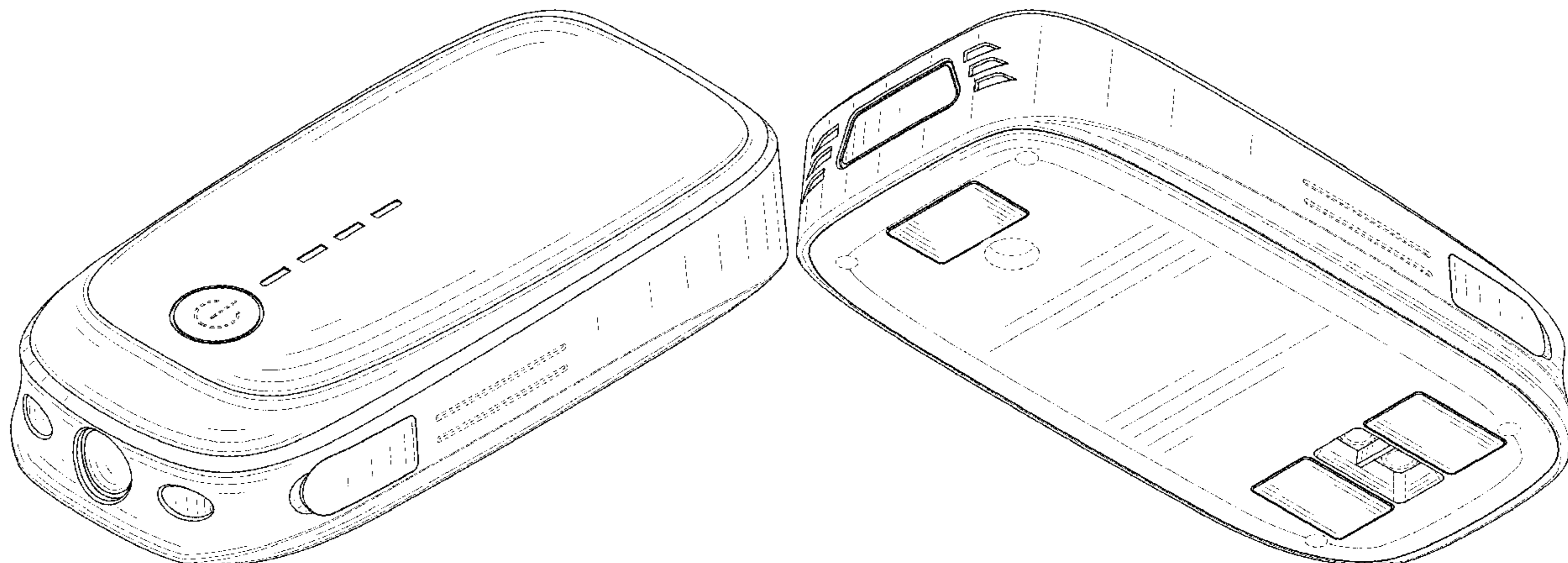
(57) **CLAIM**

The ornamental design for an emergency power supply, as shown and described.

**DESCRIPTION**

FIG. 1 is a side perspective view of the new design of an emergency power supply;  
 FIG. 2 is another side perspective view thereof;  
 FIG. 3 is a front elevation view thereof;  
 FIG. 4 is a rear elevation view thereof;  
 FIG. 5 is a right side view thereof;  
 FIG. 6 is a left side view thereof;  
 FIG. 7 is a top view thereof; and,  
 FIG. 8 is a bottom view thereof.  
 The broken (dashed) lines show portions of the emergency power supply that form no part of the claimed design.

**1 Claim, 8 Drawing Sheets**



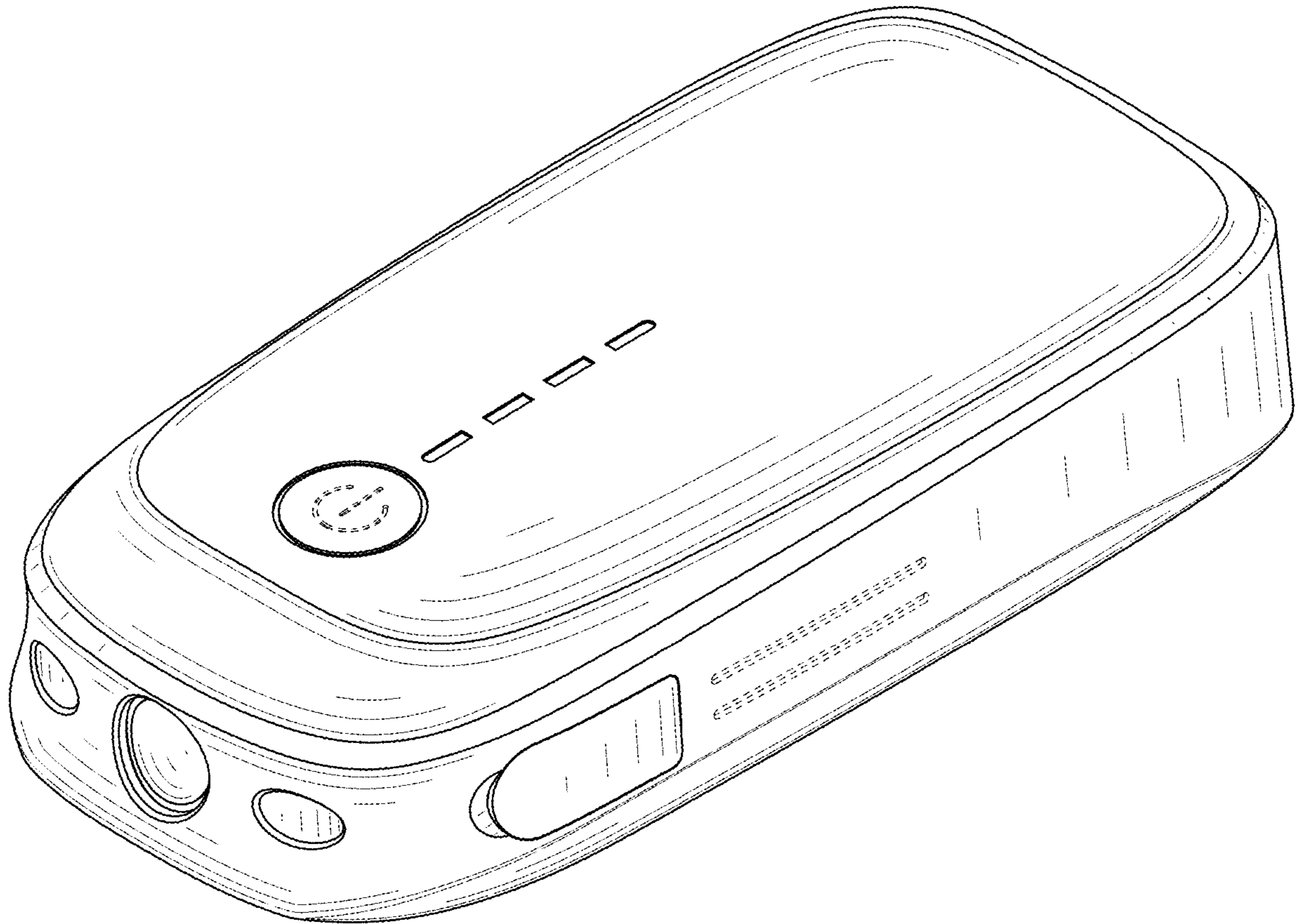


FIG. 1

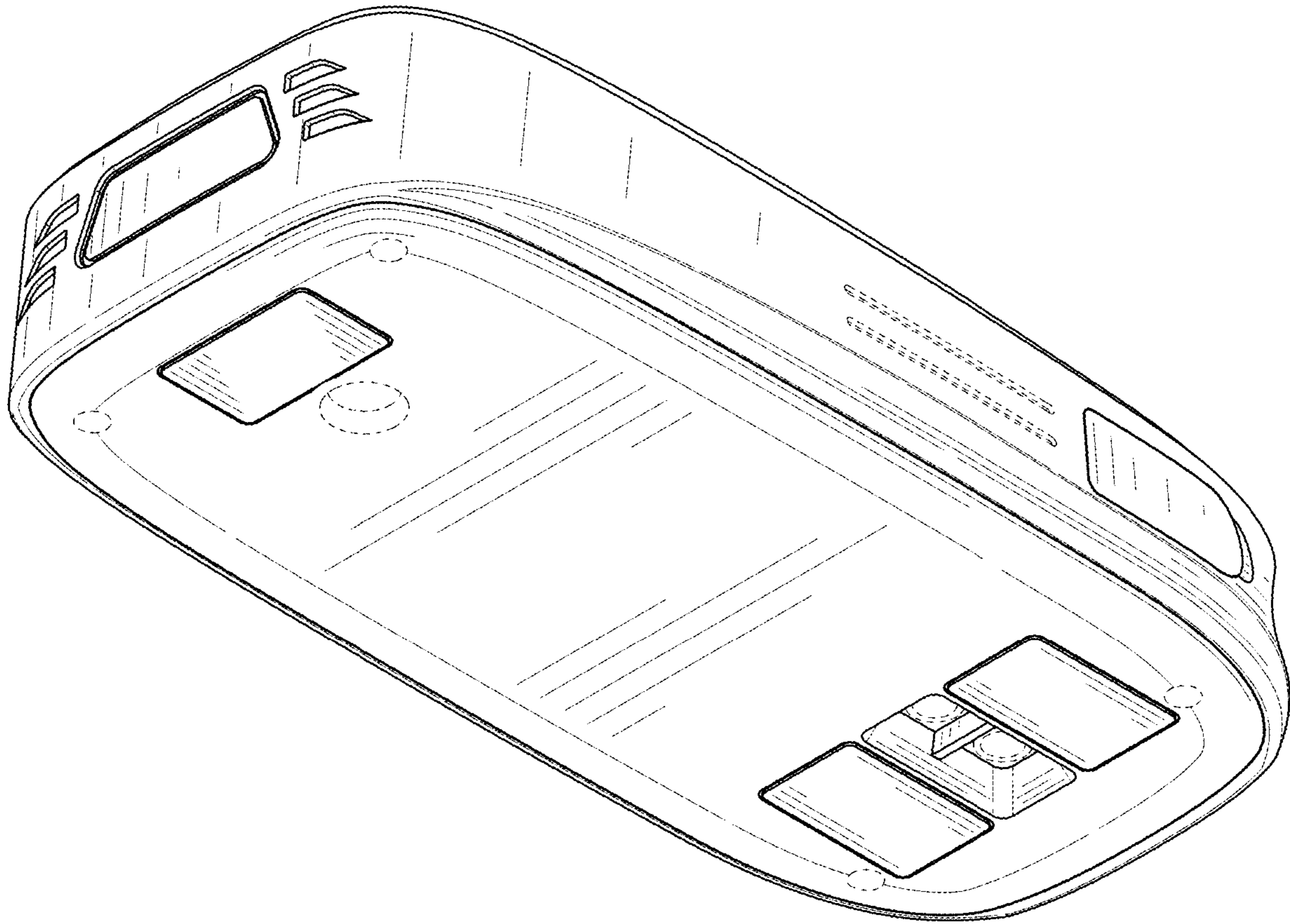


FIG. 2

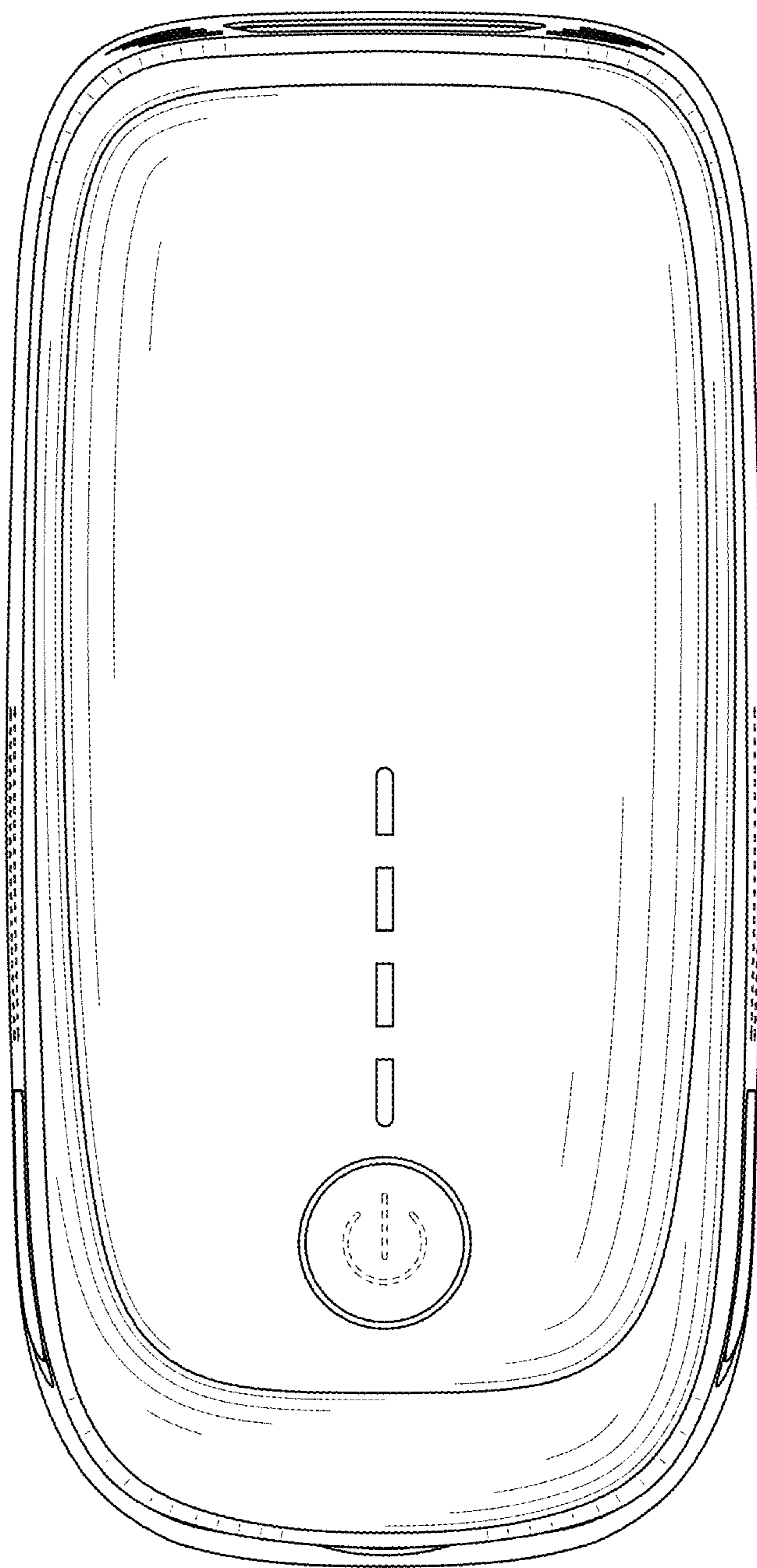


FIG. 3

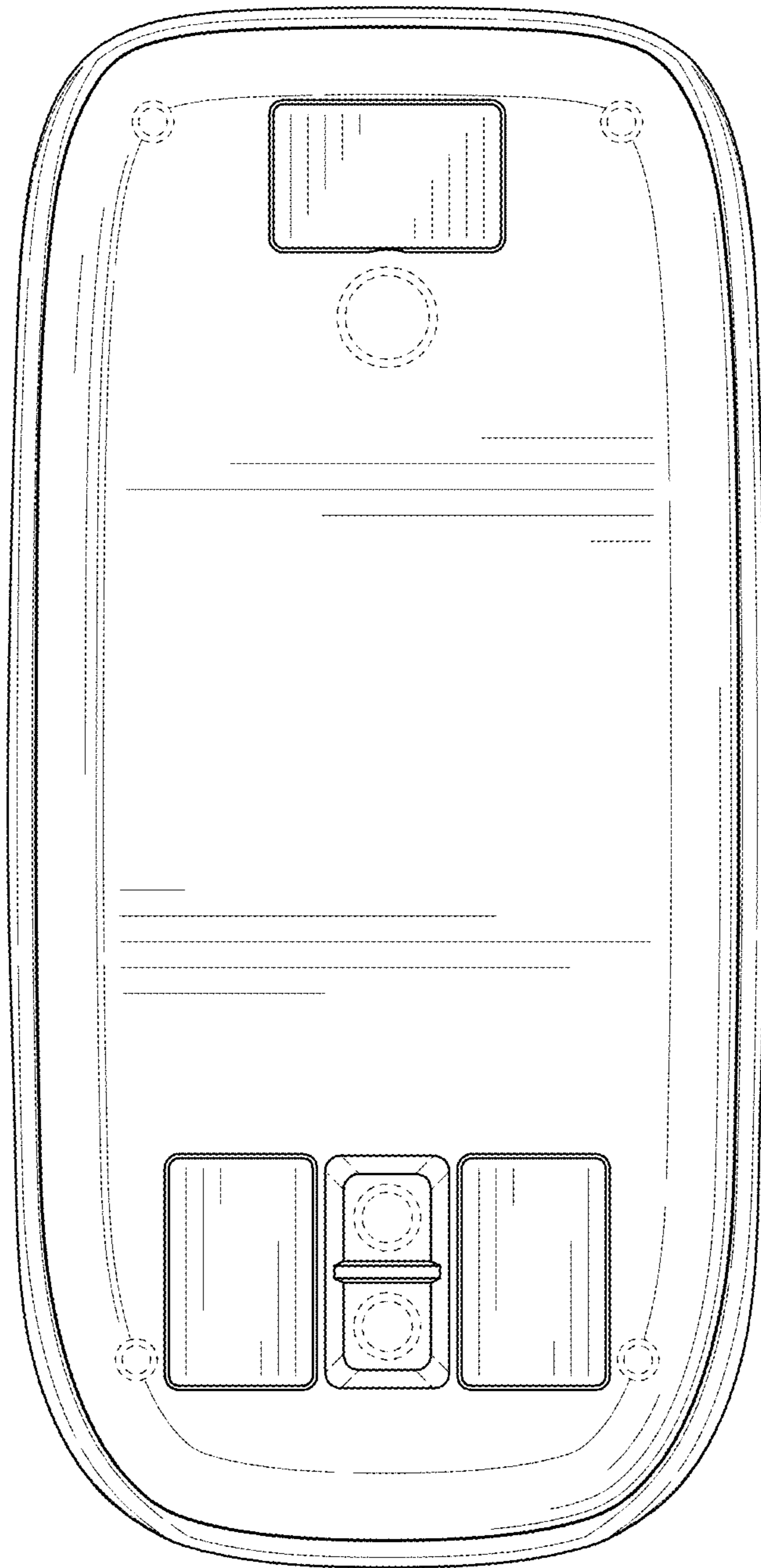


FIG. 4

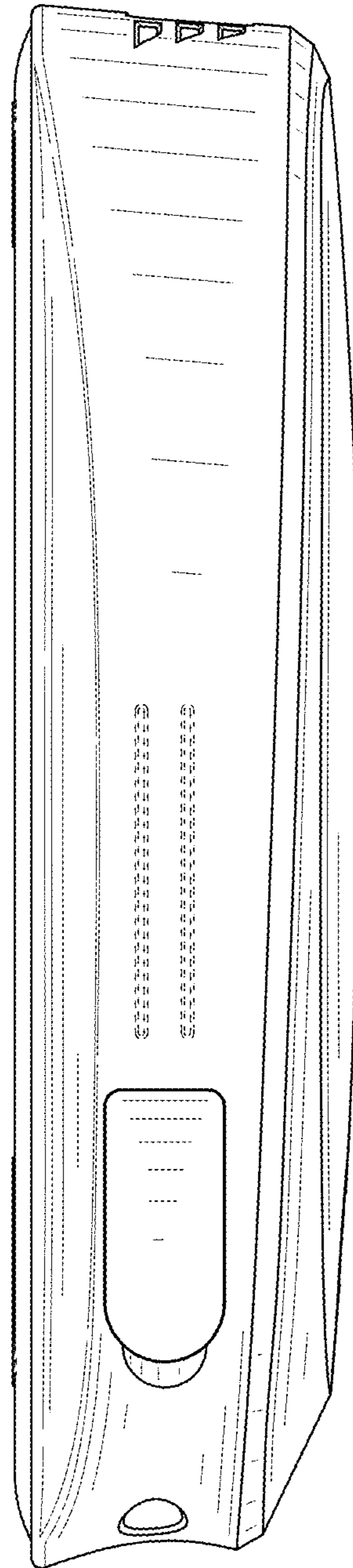


FIG. 5

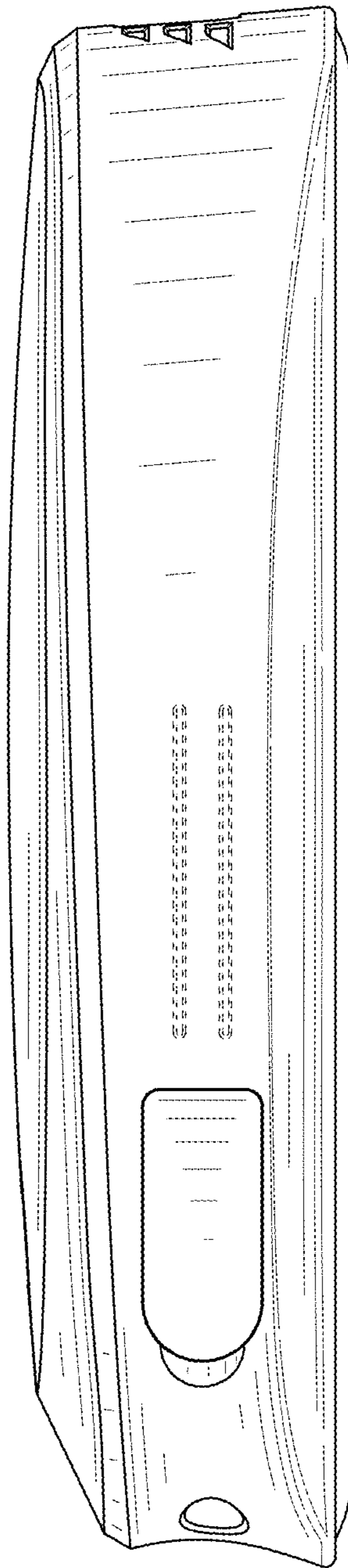


FIG. 6

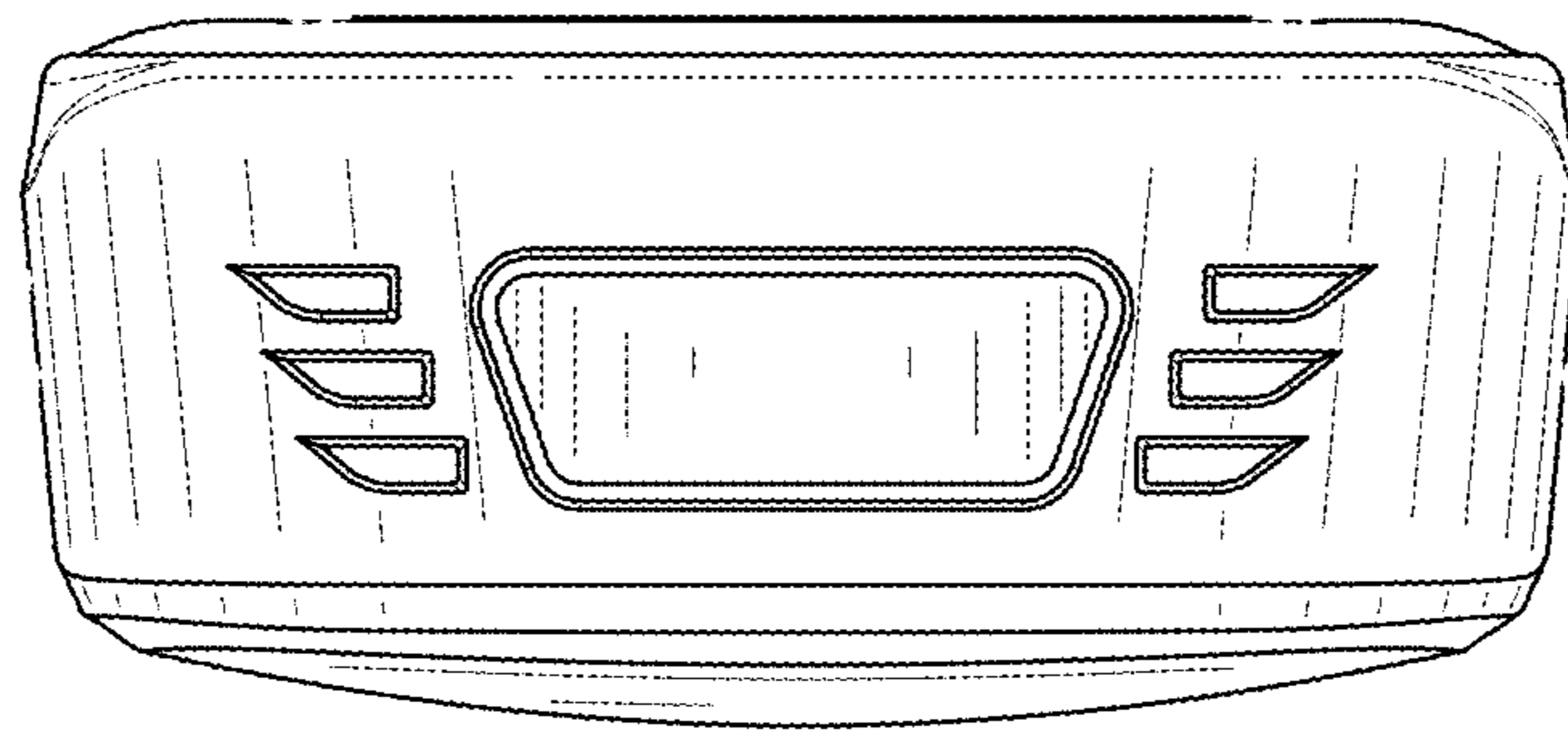


FIG. 7



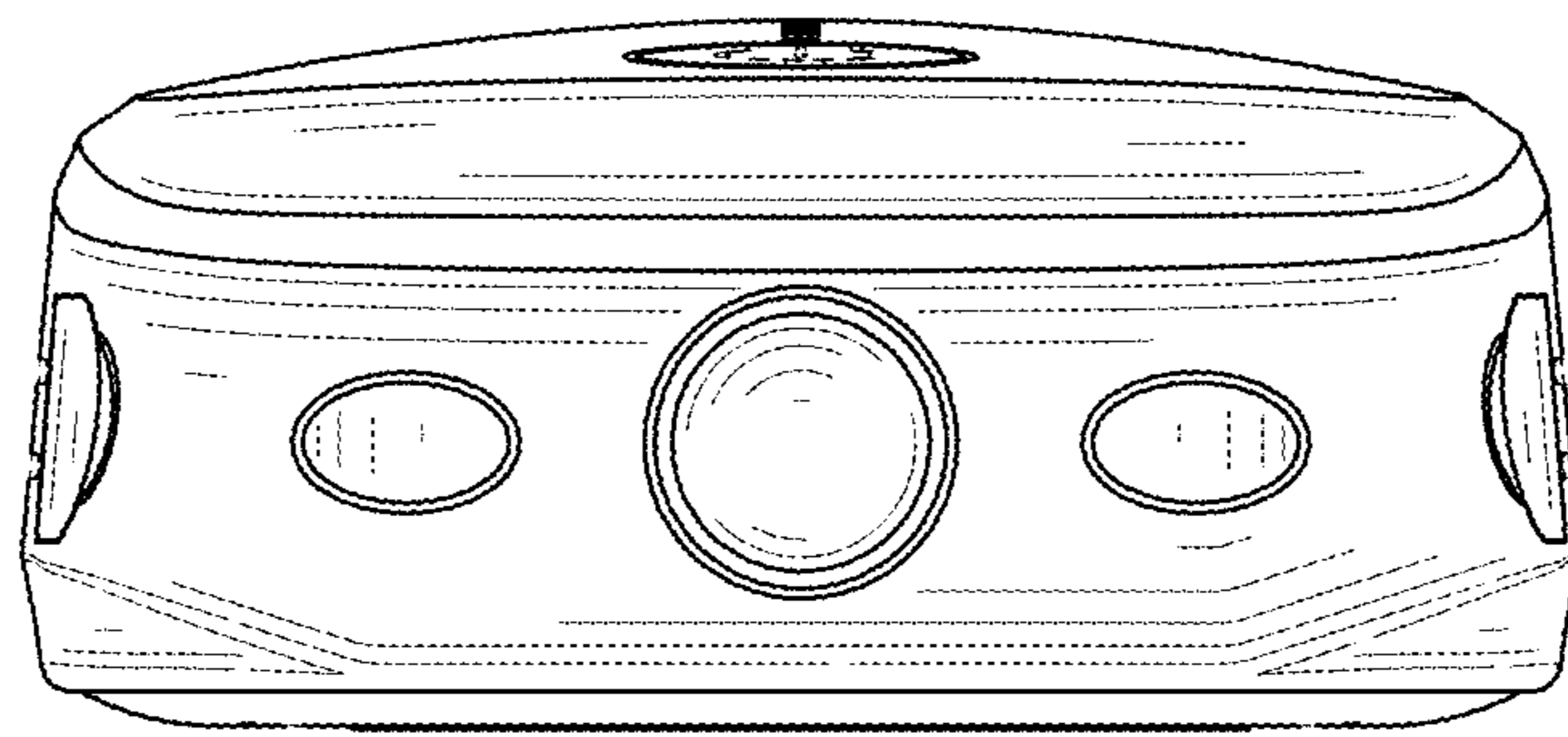


FIG. 8