



US00D942933S

(12) **United States Design Patent**
Yin et al.

(10) **Patent No.:** **US D942,933 S**

(45) **Date of Patent:** **** Feb. 8, 2022**

(54) **POWER STATION**

(71) Applicant: **SHENZHEN POWEROAK
NEWENER CO., LTD**, Shenzhen (CN)

(72) Inventors: **Xiangzhu Yin**, Shenzhen (CN); **Gang Wang**, Shenzhen (CN); **Xiaojie Huang**, Shenzhen (CN)

(73) Assignee: **SHENZHEN POWEROAK
NEWENER CO., LTD**, Shenzhen (CN)

(**) Term: **15 Years**

(21) Appl. No.: **29/738,958**

(22) Filed: **Jun. 22, 2020**

(30) **Foreign Application Priority Data**

Dec. 28, 2019 (CN) 201930736808.X

(51) **LOC (13) Cl.** **13-02**

(52) **U.S. Cl.**
USPC **D13/107**

(58) **Field of Classification Search**
USPC D13/103, 106, 107, 108, 109, 110, 112,
D13/114, 116, 118, 119, 184, 199
CPC H01M 10/46; H02J 7/0044; F02B 63/04
See application file for complete search history.

(56) **References Cited**

U.S. PATENT DOCUMENTS

D664,499	S	*	7/2012	Workman	D13/107
D802,530	S	*	11/2017	Adams	D13/109
D823,797	S	*	7/2018	Krantz	D13/110
D864,866	S	*	10/2019	Dong	D13/116
D874,395	S	*	2/2020	Sun	D13/107
D890,089	S	*	7/2020	Yin	D13/107
D897,283	S	*	9/2020	Sun	D13/108
D910,550	S	*	2/2021	Bell	D13/107
D916,655	S	*	4/2021	Fang	D13/108

D920,234	S	*	5/2021	Ishida	D13/108
2015/0059662	A1	*	3/2015	Lan	F02B 63/048 123/2
2018/0034267	A1	*	2/2018	Vasefi	H02J 1/00
2020/0343748	A1	*	10/2020	Ho	H02J 7/0045

OTHER PUBLICATIONS

“SUAOKI Power Station”. Found online Aug. 24, 2021 at amazon.com. Reference dated Nov. 19, 2019. Retrieved from <https://www.amazon.com/dp/B081QCFWHS?tag=theenergyfixart-20&linkCode=ogi&th=1&psc=1>. (Year: 2019).*

(Continued)

Primary Examiner — Kendra Leslie Hamilton

Assistant Examiner — Amanda Christensen

(74) *Attorney, Agent, or Firm* — IPro, PLLC

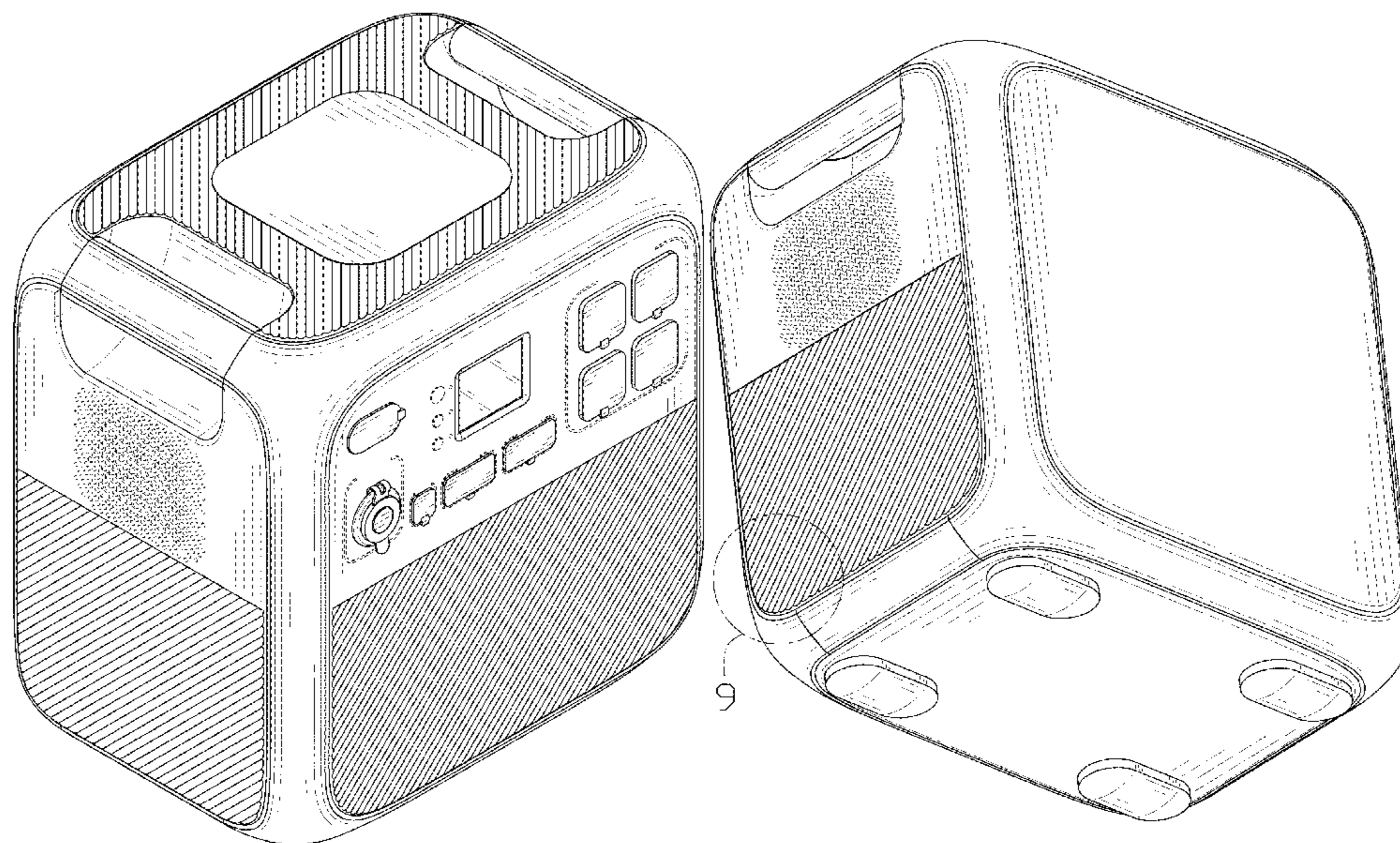
(57) **CLAIM**

The ornamental design for a power station, as shown and described.

DESCRIPTION

FIG. 1 is a front, top, right side perspective view of a power station, showing our new design;
FIG. 2 is a rear, bottom, left side perspective view thereof;
FIG. 3 is a front elevation view thereof;
FIG. 4 is a rear elevation view thereof;
FIG. 5 is a left side elevation view thereof;
FIG. 6 is a right side elevation view thereof;
FIG. 7 is a top plan view thereof;
FIG. 8 is a bottom plan view thereof; and,
FIG. 9 is an enlarged bottom, left side perspective view of the detail identified in FIG. 2.
The broken lines depict portions of the power station that form no part of the claimed design.

1 Claim, 9 Drawing Sheets



(56)

References Cited

OTHER PUBLICATIONS

“Goal Zero Yeti Portable Power Station”. Found online Aug. 24, 2021 at amazon.com. Reference dated Aug. 7, 2016. Retrieved from https://www.amazon.com/Goal-Zero-Portable-Generator-Alternative/dp/B00D5RVMAM/ref=sr_1_9. (Year: 2016).*

“SUAOKI Portable Generator Power Station”. Found online Jan. 21, 2021 at amazon.com. Reference dated Oct. 18, 2016. Retrieved from <https://www.amazon.com/Portable-Generator-Lithium-Inverter-Outputs/dp/B01M260BAN> (Year: 2016).*

* cited by examiner

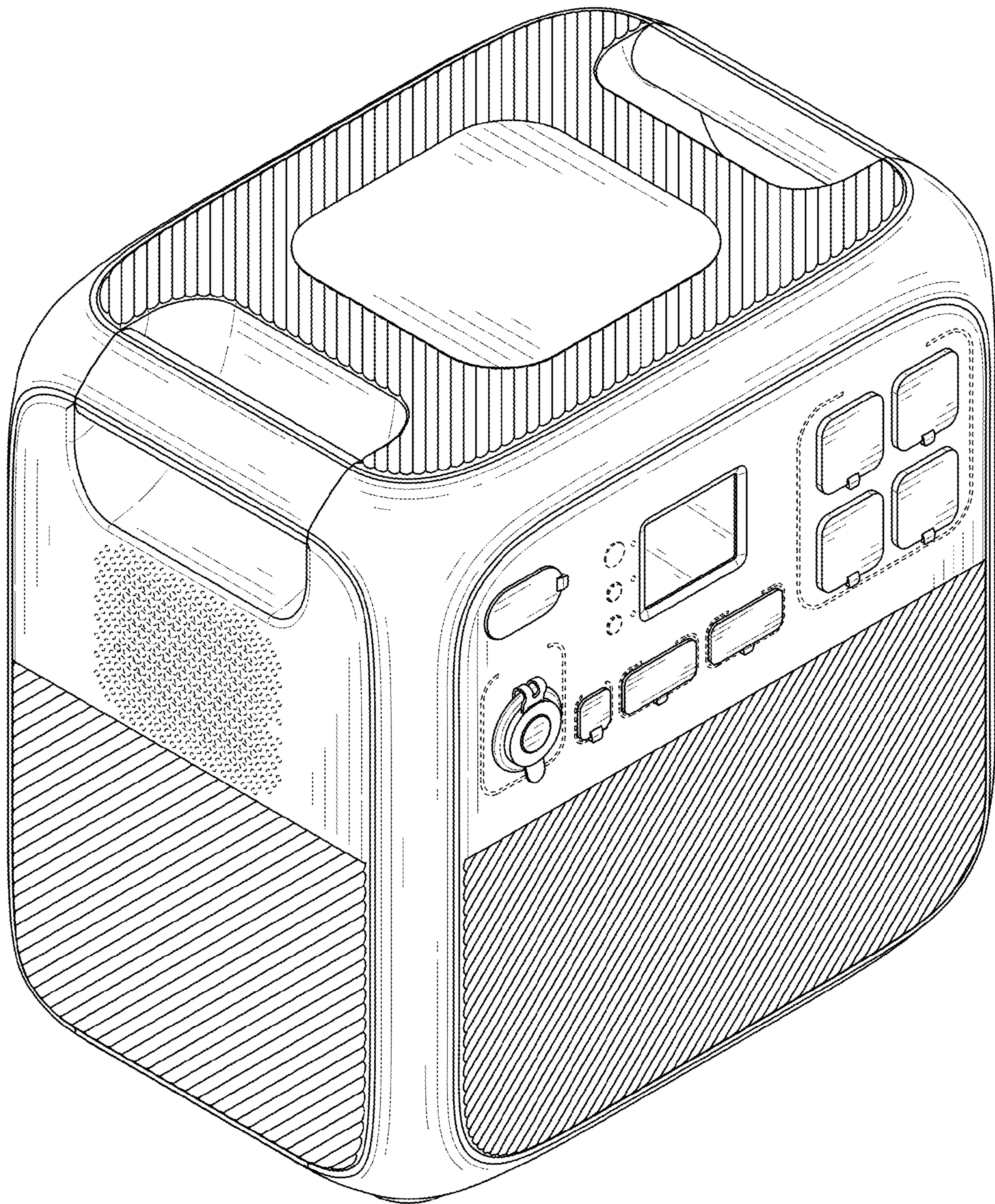


FIG. 1

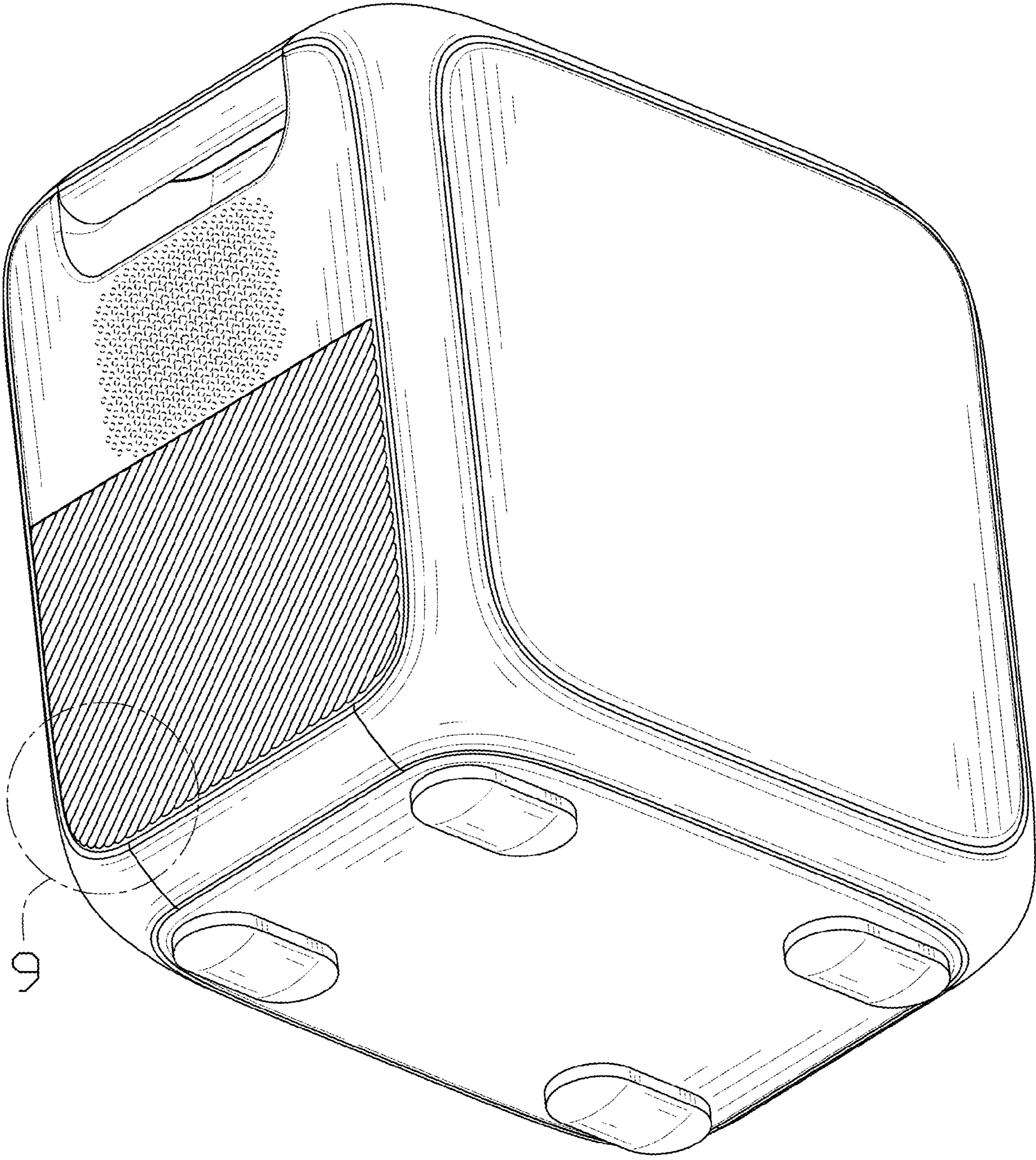


FIG. 2



FIG. 3

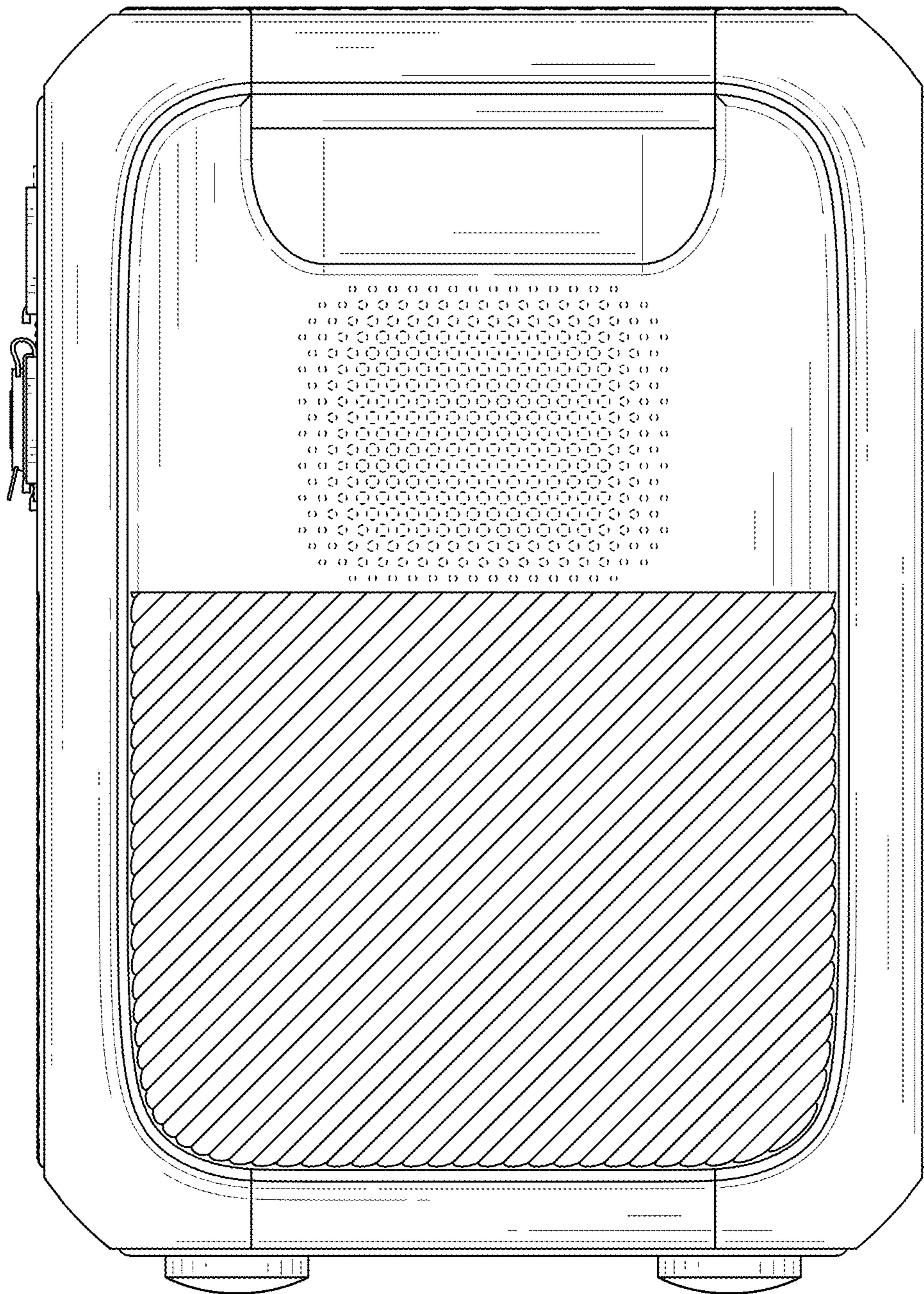


FIG. 4

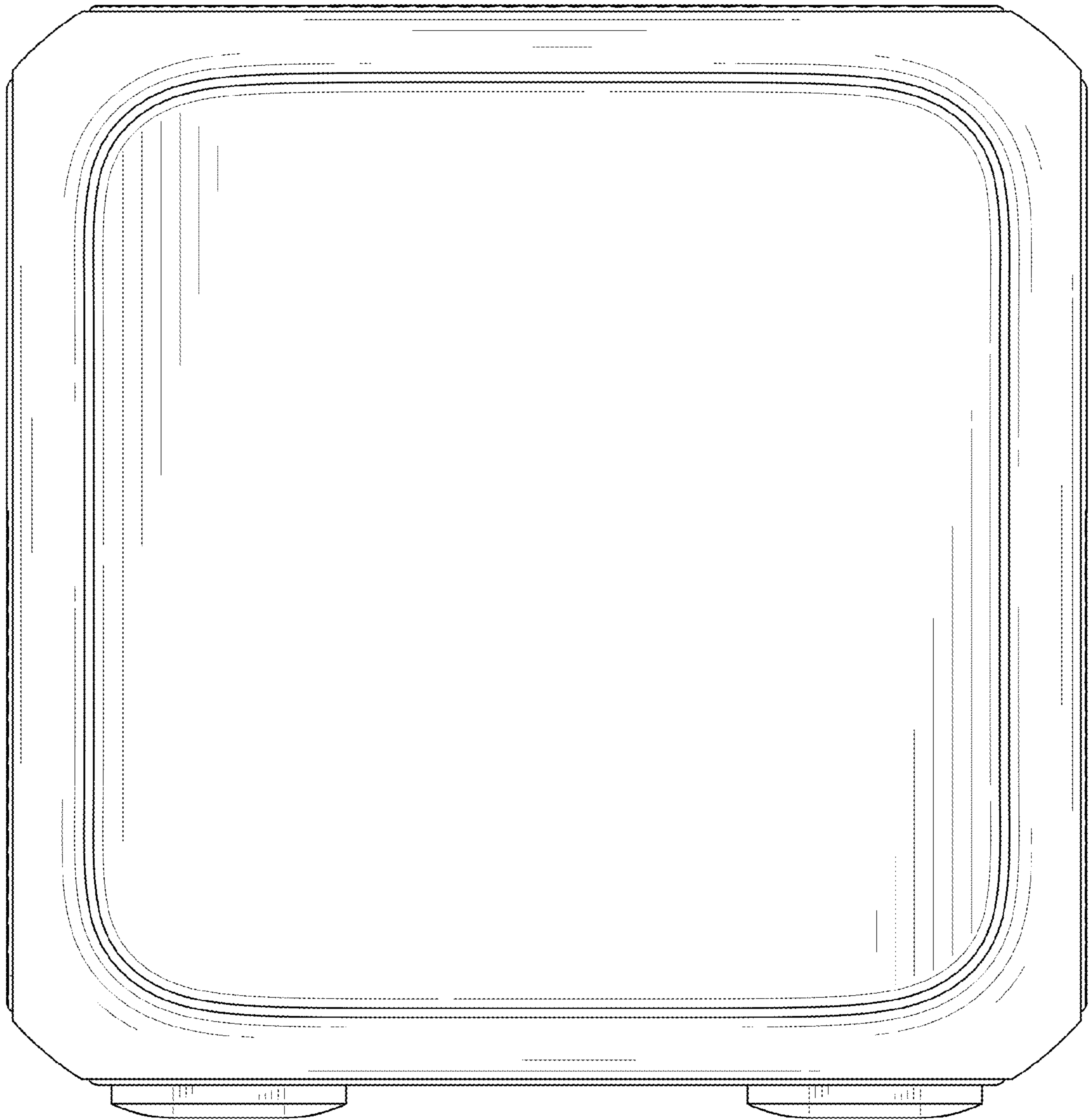


FIG. 5

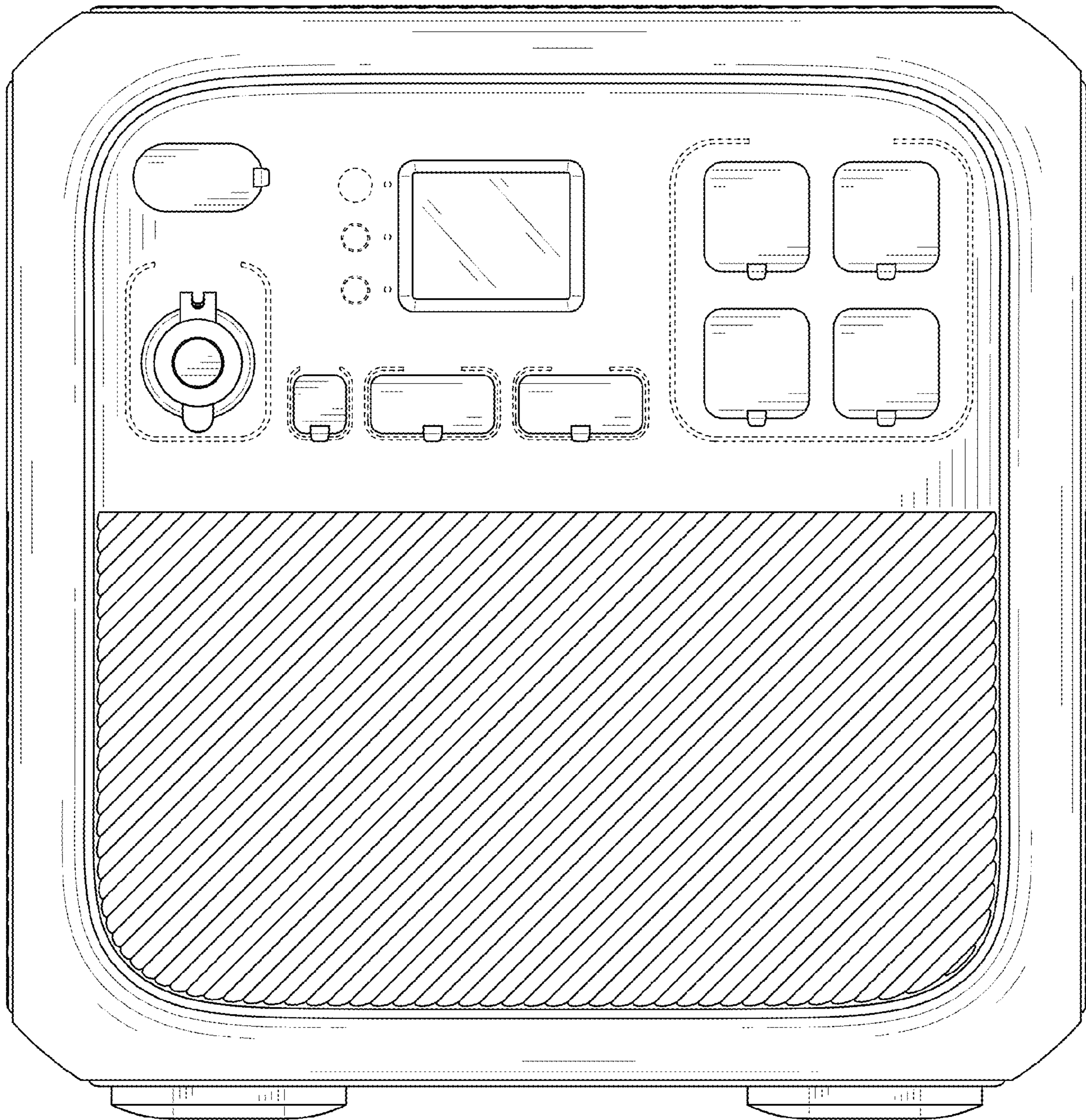


FIG. 6

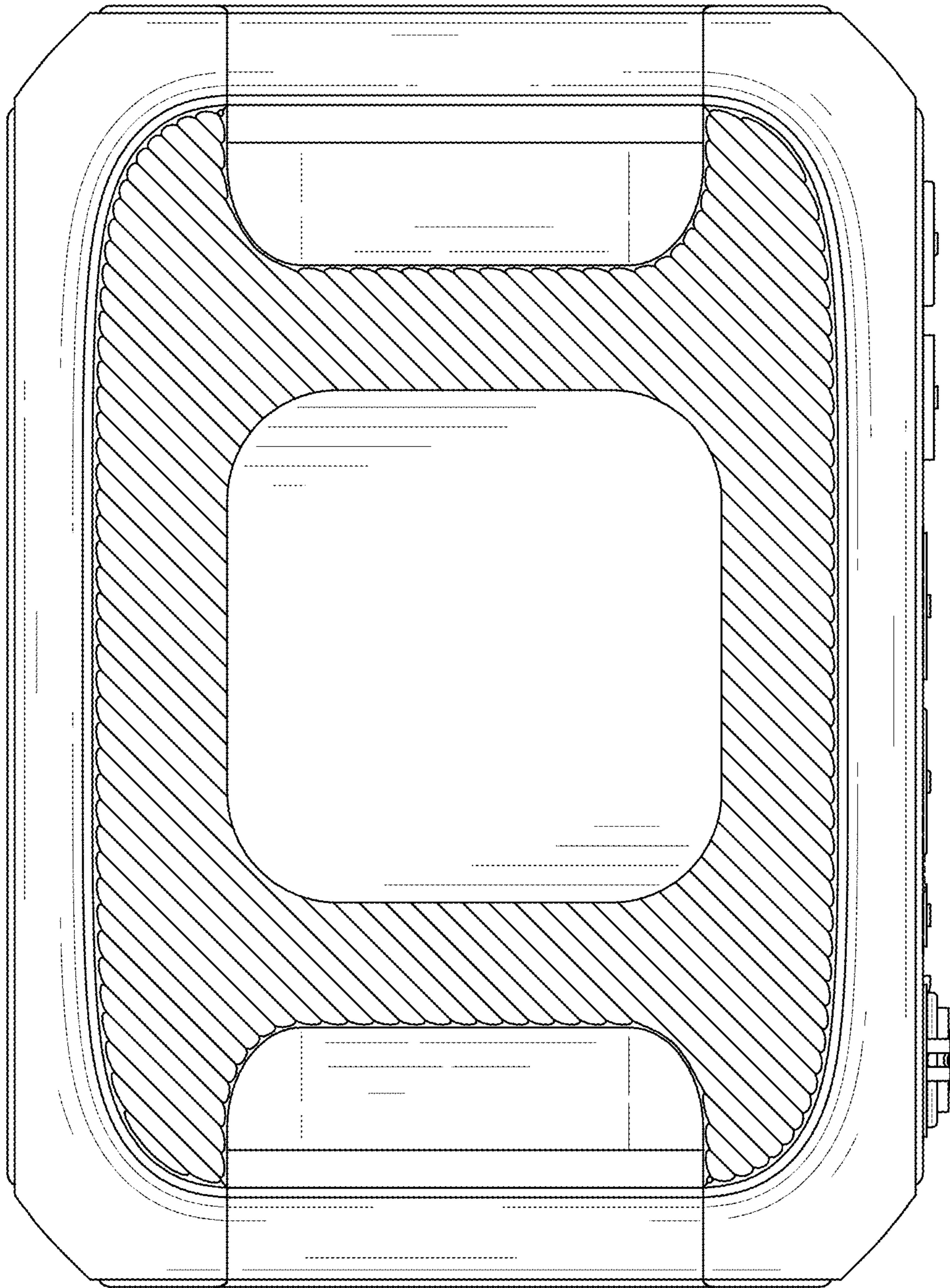


FIG. 7

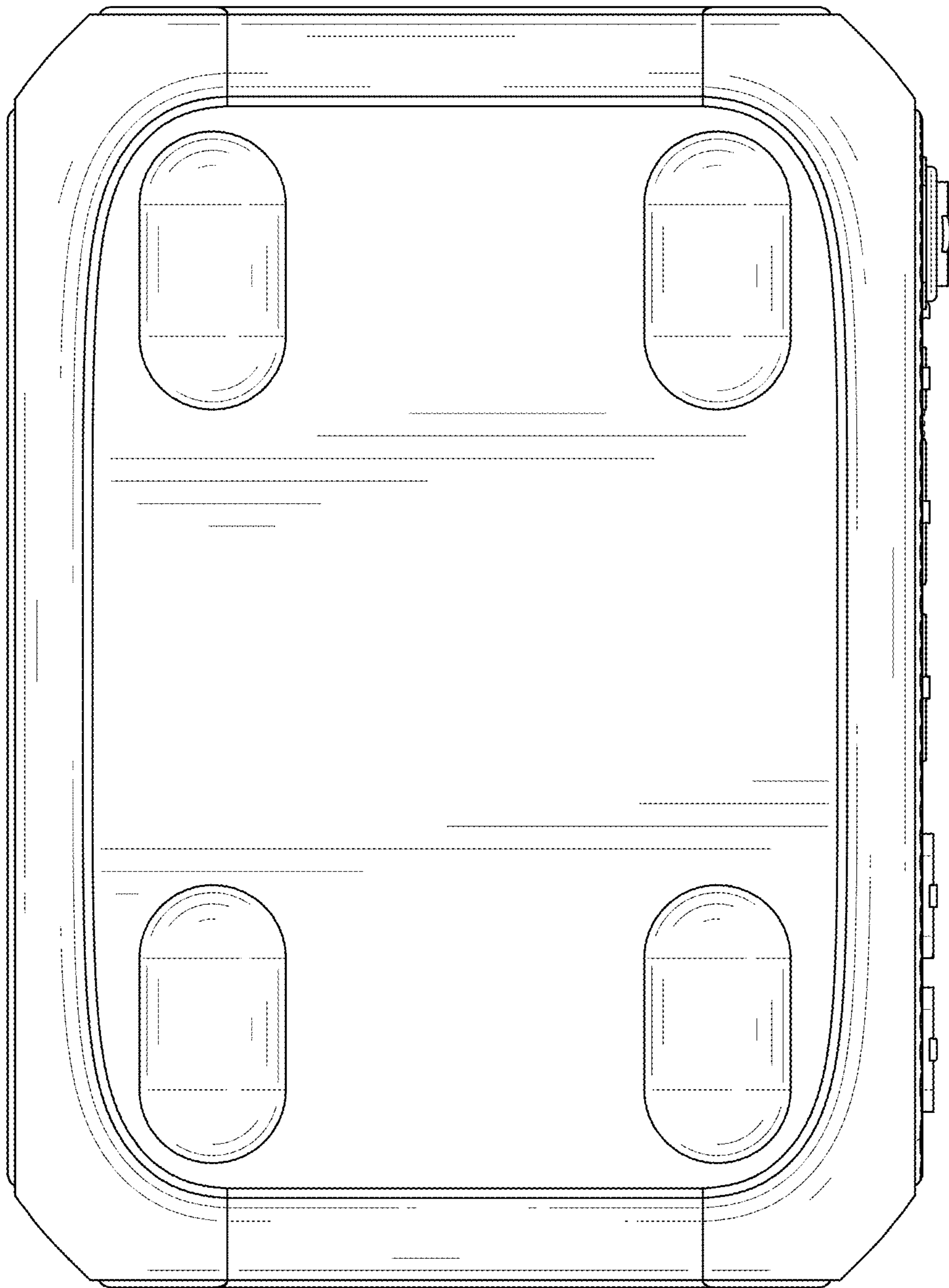


FIG. 8

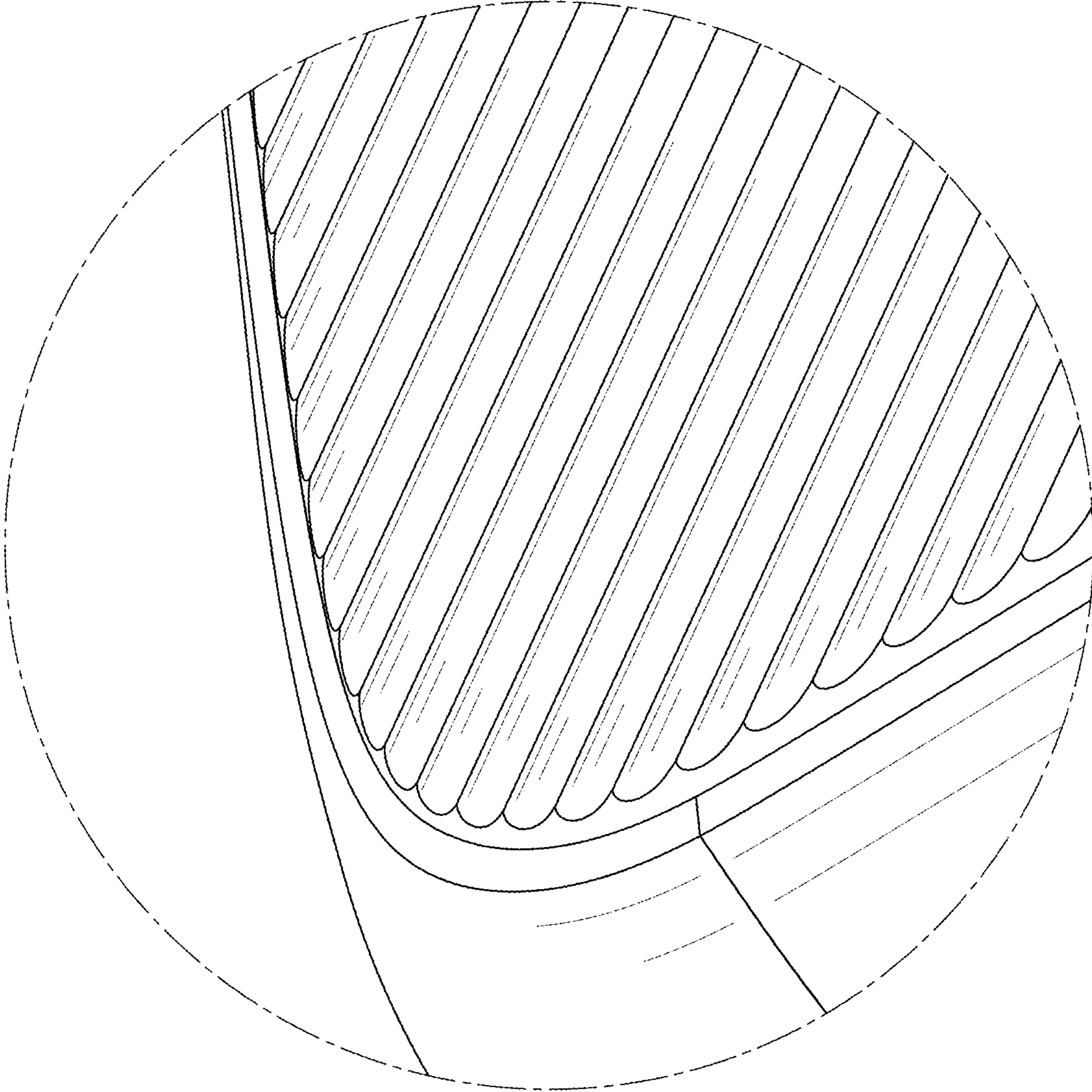


FIG. 9