

US00D942932S

(12) **United States Design Patent**  
**Yin et al.**

(10) **Patent No.:** **US D942,932 S**

(45) **Date of Patent:** **\*\* Feb. 8, 2022**

(54) **POWER STATION**

(71) Applicant: **SHENZHEN POWEROAK  
NEWENER CO., LTD**, Shenzhen (CN)

(72) Inventors: **Xiangzhu Yin**, Shenzhen (CN); **Gang Wang**, Shenzhen (CN); **Xiaojie Huang**, Shenzhen (CN)

(73) Assignee: **SHENZHEN POWEROAK  
NEWENER CO., LTD**, Shenzhen (CN)

(\*\*) Term: **15 Years**

(21) Appl. No.: **29/738,955**

(22) Filed: **Jun. 22, 2020**

(30) **Foreign Application Priority Data**

Dec. 28, 2019 (CN) ..... 201930736811.1

(51) **LOC (13) Cl.** ..... **13-02**

(52) **U.S. Cl.**  
USPC ..... **D13/107**

(58) **Field of Classification Search**  
USPC ..... D13/103, 106, 107, 108, 109, 110, 112,  
D13/114, 116, 118, 119, 184, 199  
CPC ..... H01M 10/46; H02J 7/0044; F02B 63/04  
See application file for complete search history.

(56) **References Cited**

**U.S. PATENT DOCUMENTS**

D764,403 S \* 8/2016 Azuma ..... D13/103  
D773,992 S \* 12/2016 Krantz ..... D13/110  
D842,240 S \* 3/2019 Lai ..... D13/107  
D875,037 S \* 2/2020 Hung ..... D13/107  
D887,357 S \* 6/2020 Liao ..... D13/110  
D897,284 S \* 9/2020 Sun ..... D13/108

D899,357 S \* 10/2020 Liu ..... D13/107  
D902,857 S \* 11/2020 Jia ..... D13/110  
D911,935 S \* 3/2021 Alexander ..... D13/107  
D911,953 S \* 3/2021 Yin ..... D13/108  
2011/0197882 A1\* 8/2011 Truschel ..... A61M 16/202  
128/204.18  
2015/0273608 A1\* 10/2015 Rozmarynowski .. B23K 9/1006  
219/133  
2020/0343748 A1\* 10/2020 Ho ..... H02J 7/0045

**OTHER PUBLICATIONS**

“PowerArQ Portable Power Station”. Found online Aug. 24, 2021 at item.rakuten.co.jp. Reference dated Dec. 6, 2019. Retrieved from <https://item.rakuten.co.jp/kashima-tokeiten/ac50/> (Year: 2019).\*

(Continued)

*Primary Examiner* — Kendra Leslie Hamilton

*Assistant Examiner* — Amanda Christensen

(74) *Attorney, Agent, or Firm* — Ipro, PLLC

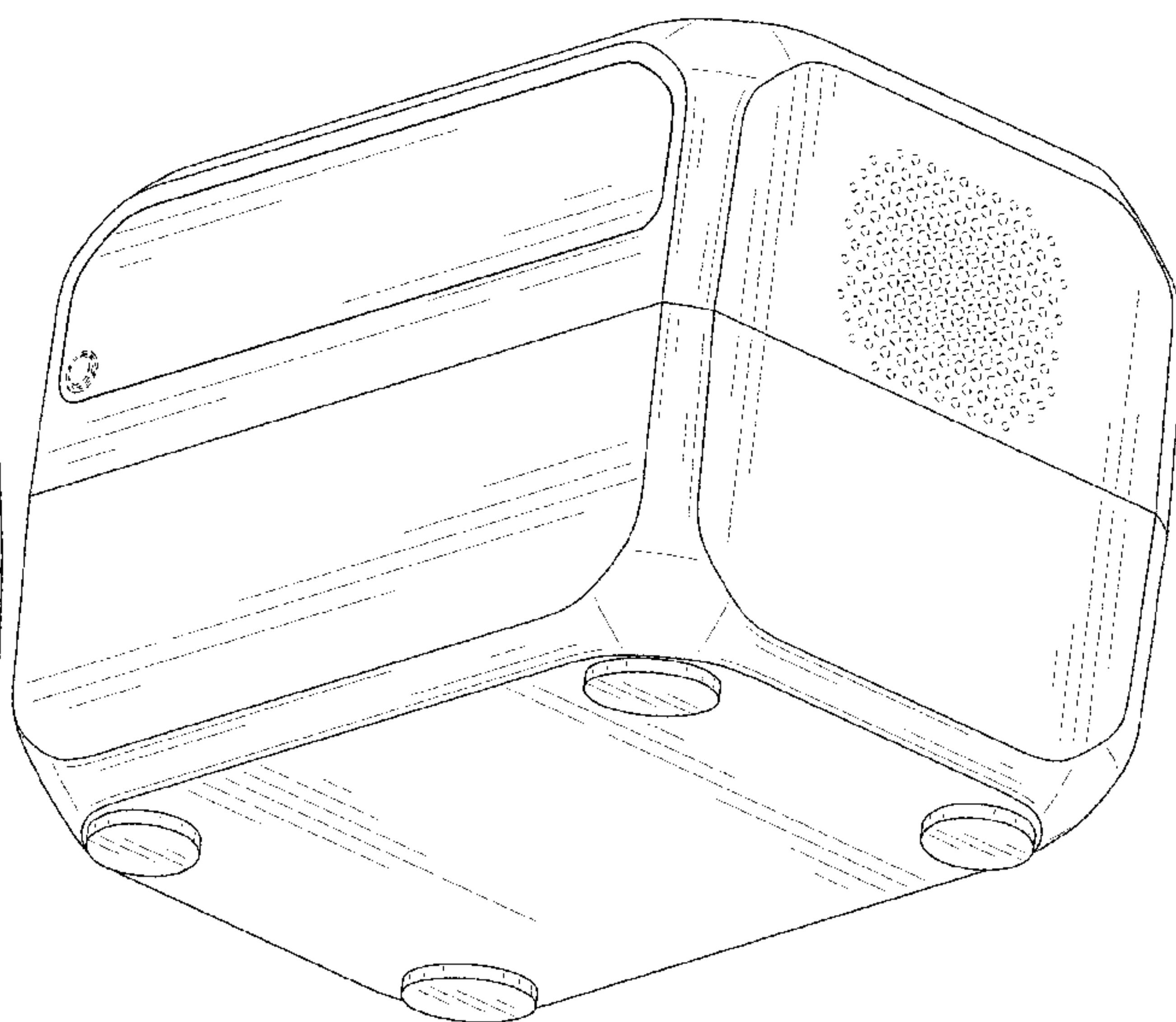
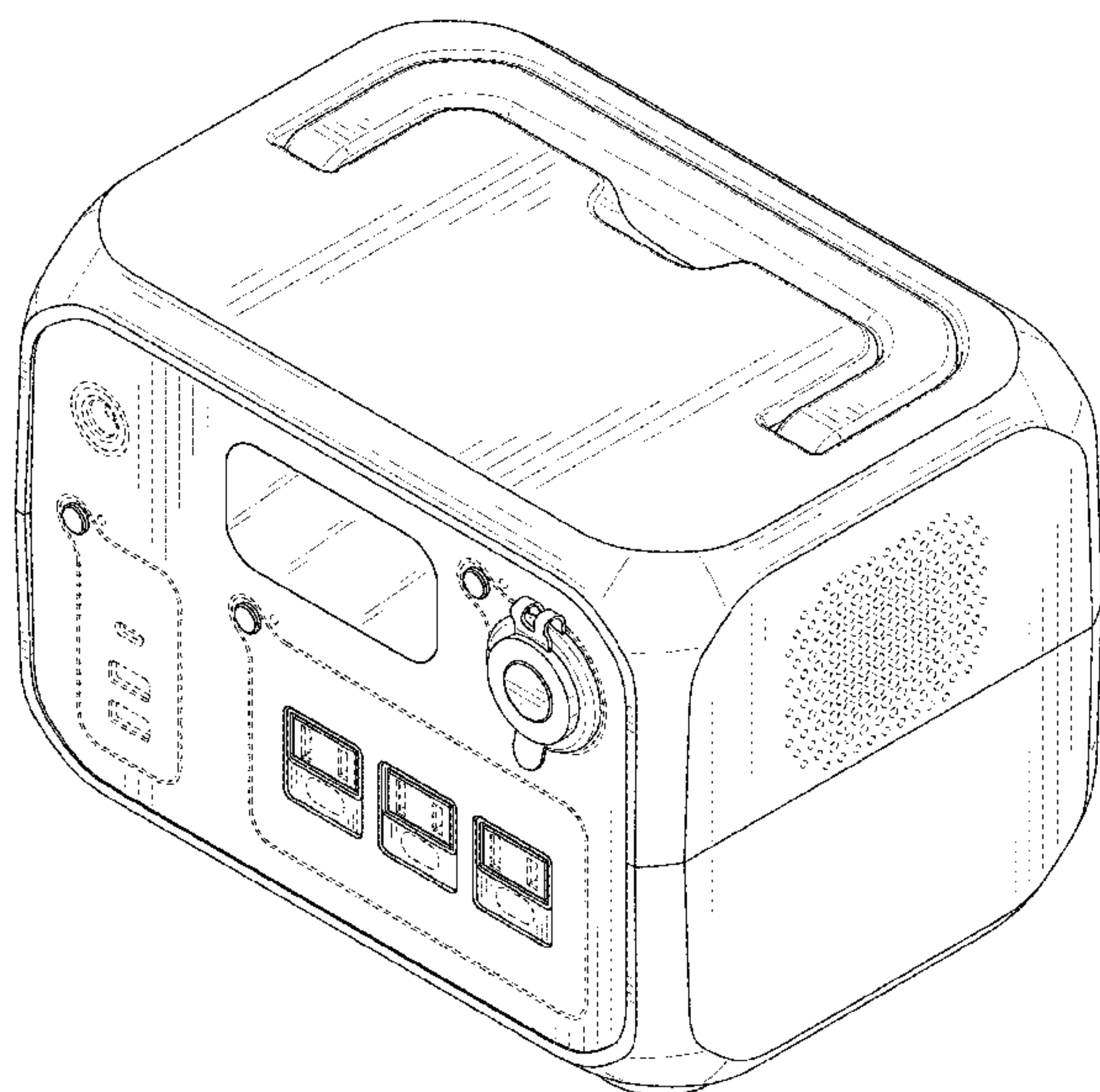
(57) **CLAIM**

The ornamental design for a power station, as shown and described.

**DESCRIPTION**

FIG. 1 is a front, top, right side perspective view of power station, showing our new design;  
FIG. 2 is a rear, bottom, left side perspective view thereof;  
FIG. 3 is a front elevation view thereof;  
FIG. 4 is a rear elevation view thereof;  
FIG. 5 is a left side elevation view thereof;  
FIG. 6 is a right side elevation view thereof;  
FIG. 7 is a top plan view thereof; and,  
FIG. 8 is a bottom plan view thereof.  
The broken lines shown depict portions of the power station that form no part of the claimed design.

**1 Claim, 8 Drawing Sheets**



(56)

**References Cited**

OTHER PUBLICATIONS

“Shenzhen Poweroak Portable Generator”. Found online Aug. 24, 2021 at g-mark.org. Reference dated Jun. 1, 2019. Retrieved from <https://www.g-mark.org/award/describe/48551?locale=en>. (Year: 2019).\*

“SUAOKI Power Station”. Found online Aug. 24, 2021 at amazon.com. Reference dated Nov. 19, 2019. Retrieved from <https://www.amazon.com/dp/B081QCFWHS?tag=theenergyfixart-20&linkCode=ogi&th=1&psc=1>. (Year: 2019).\*

\* cited by examiner

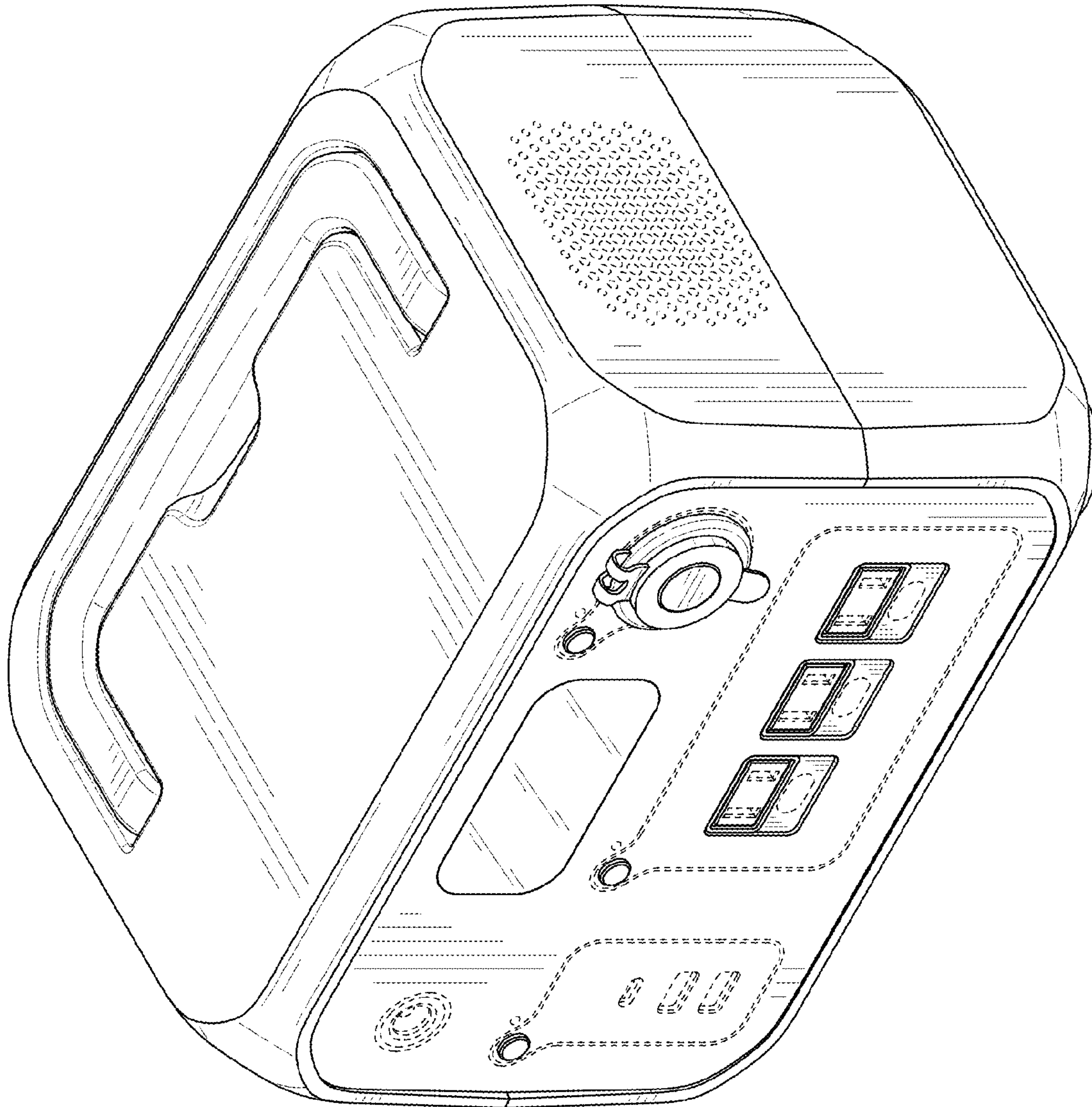


FIG. 1



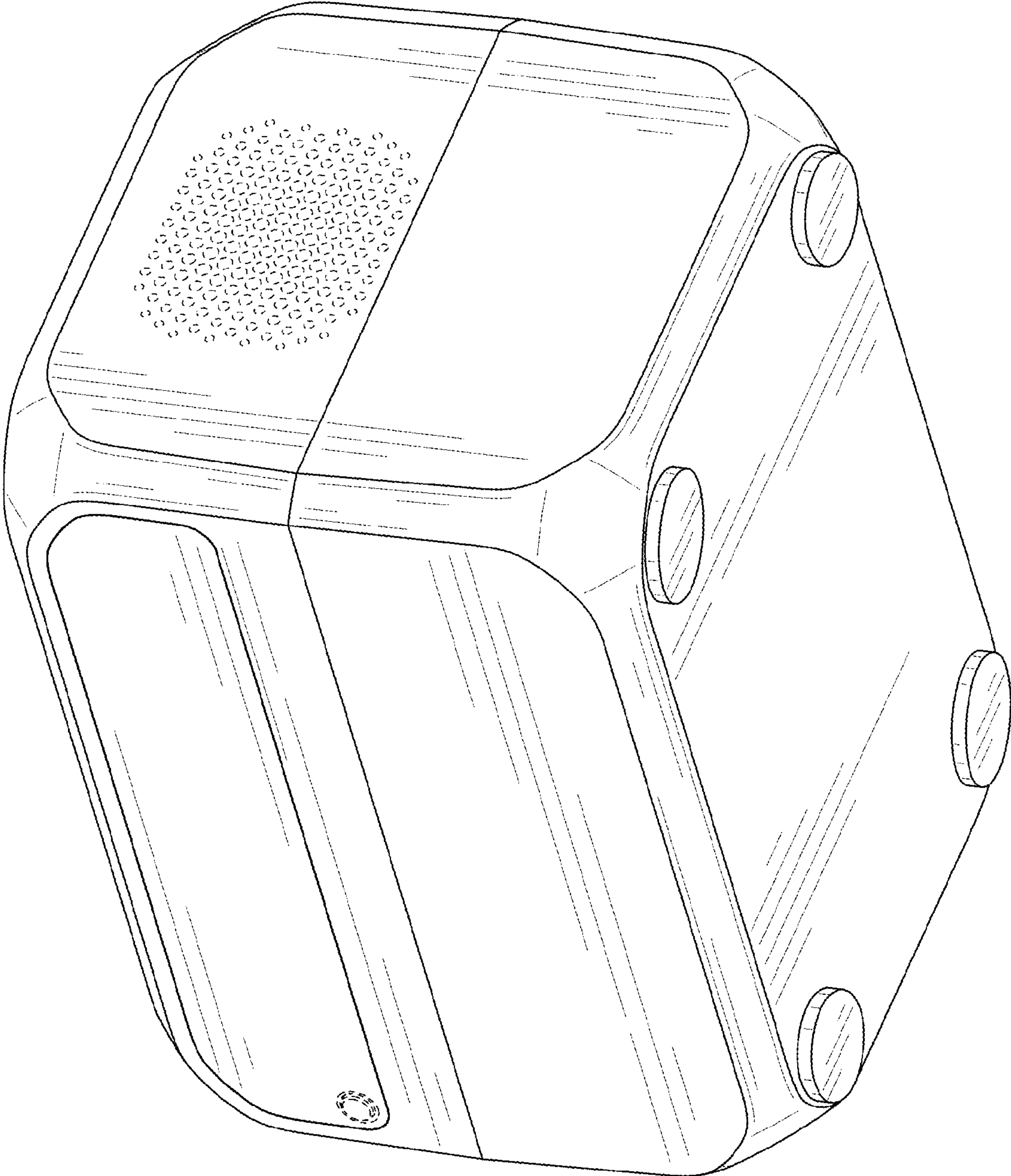


FIG. 2

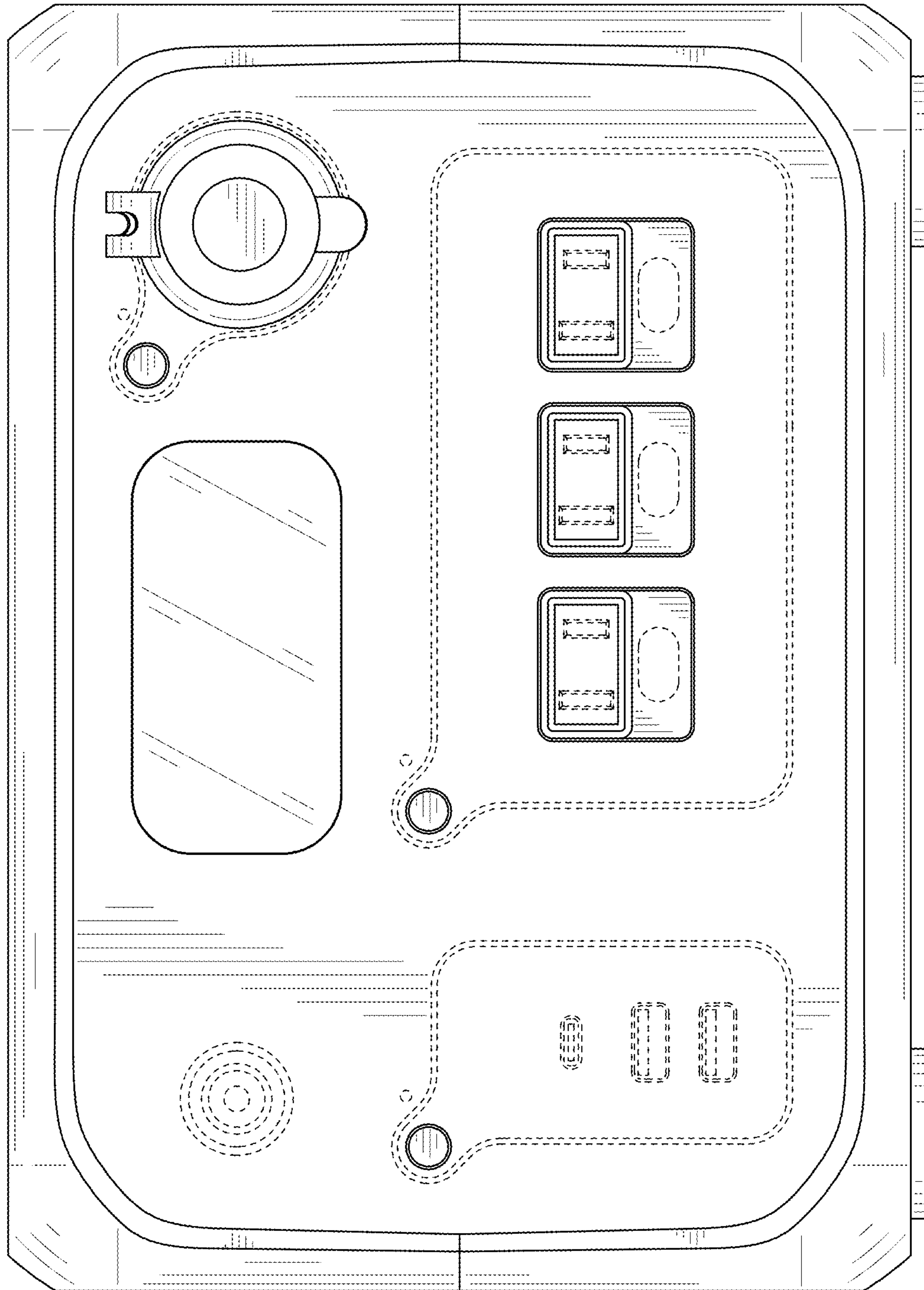


FIG. 3

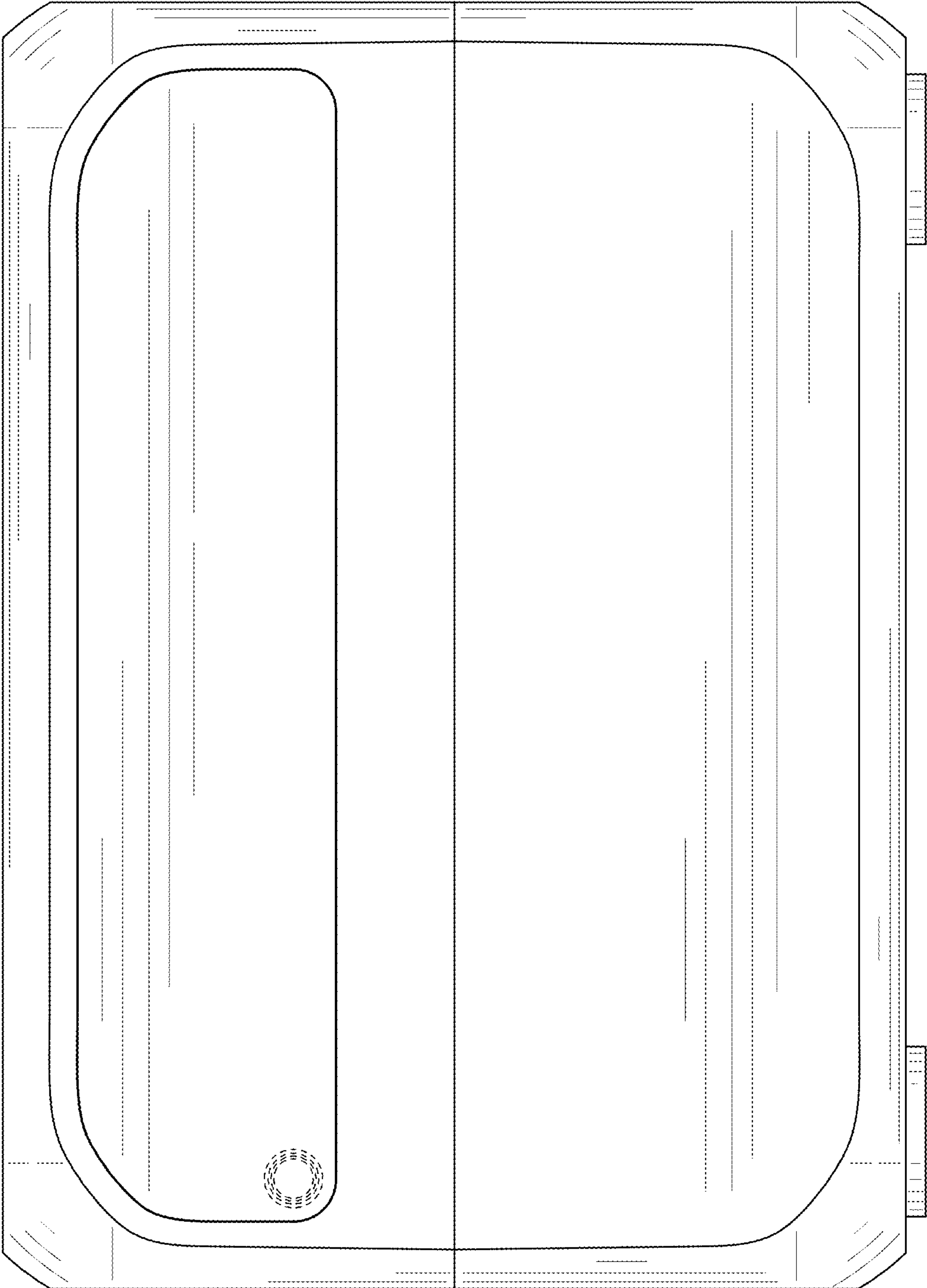


FIG. 4

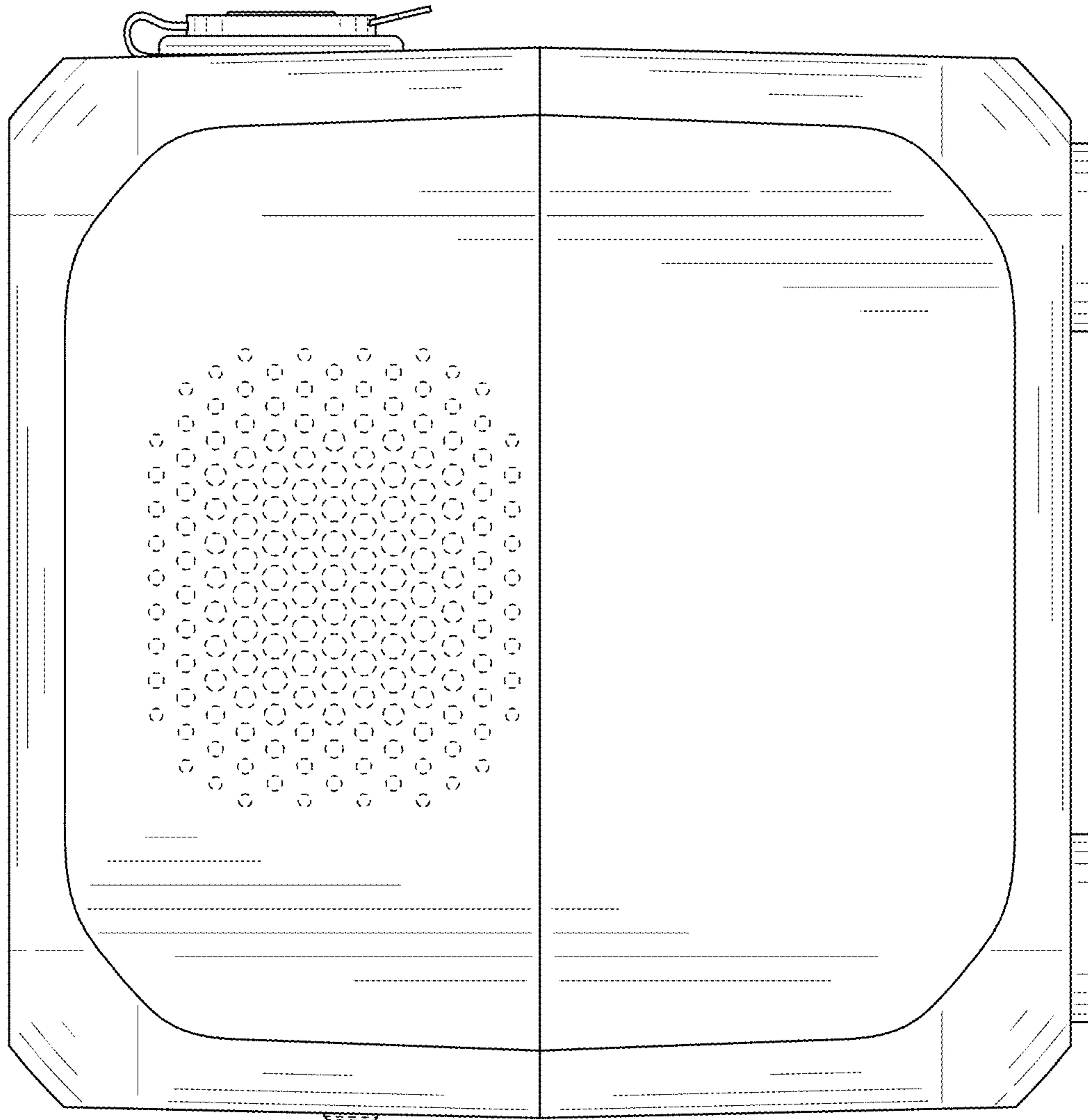


FIG. 5

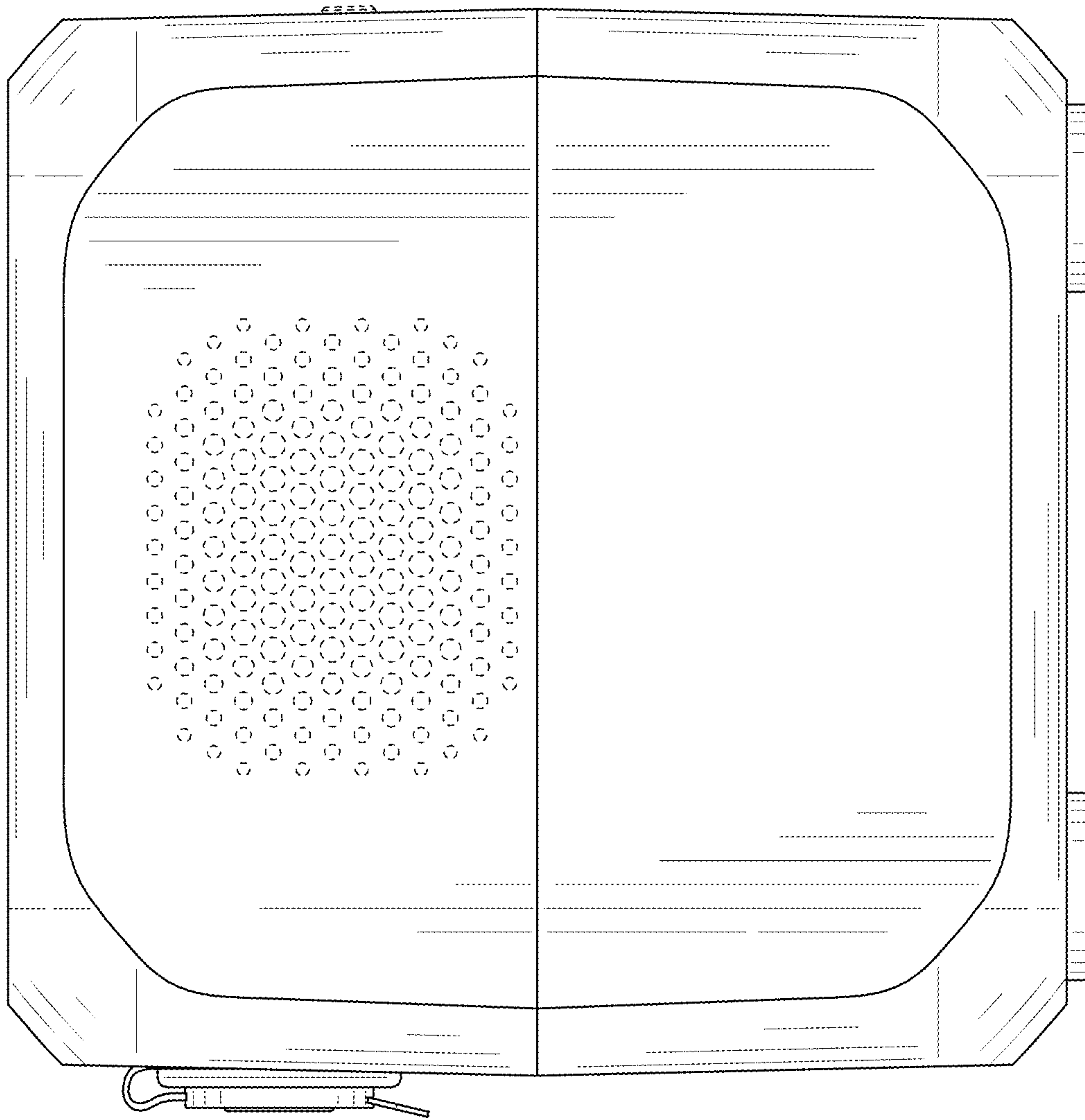


FIG. 6



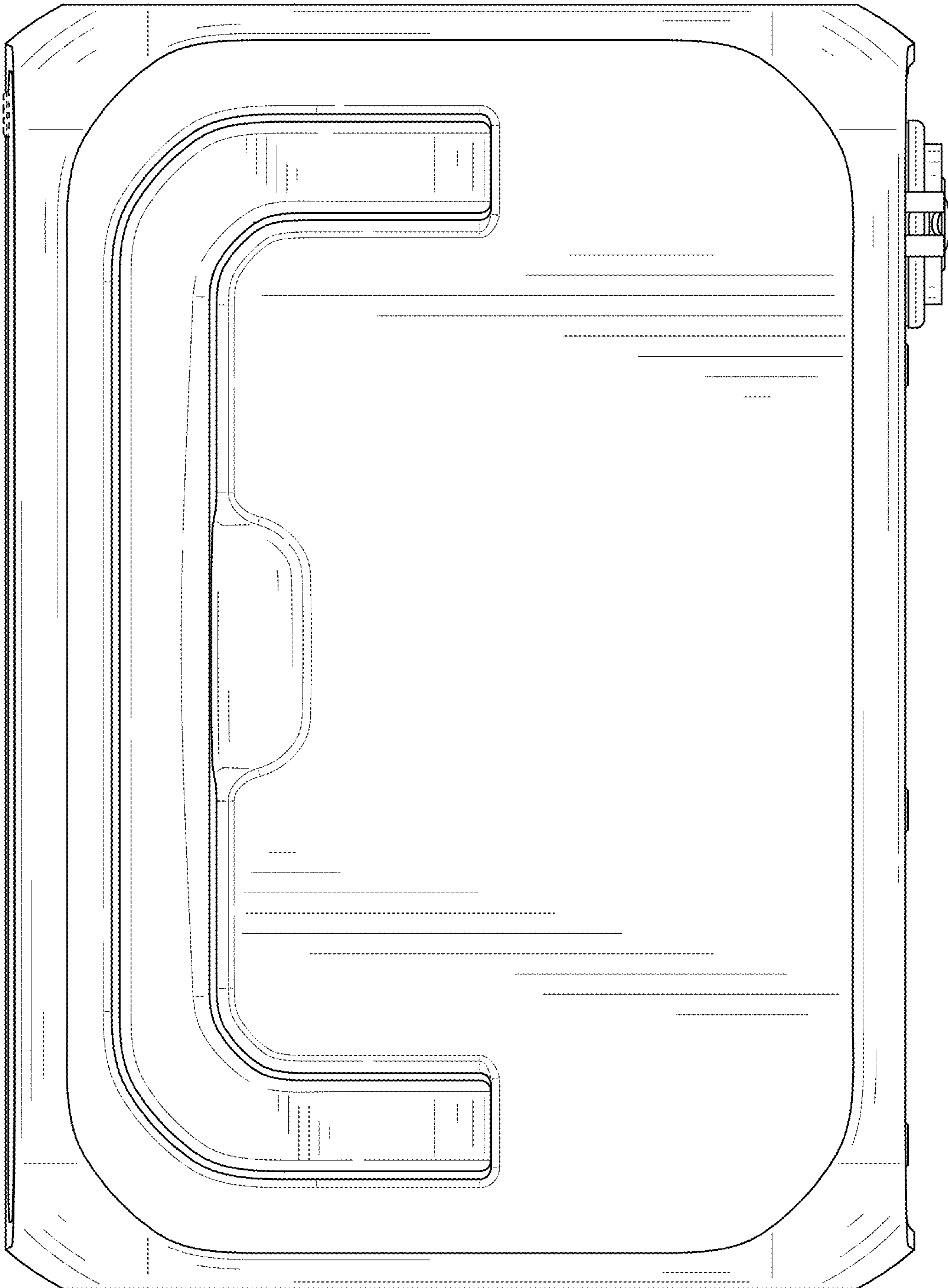


FIG. 7

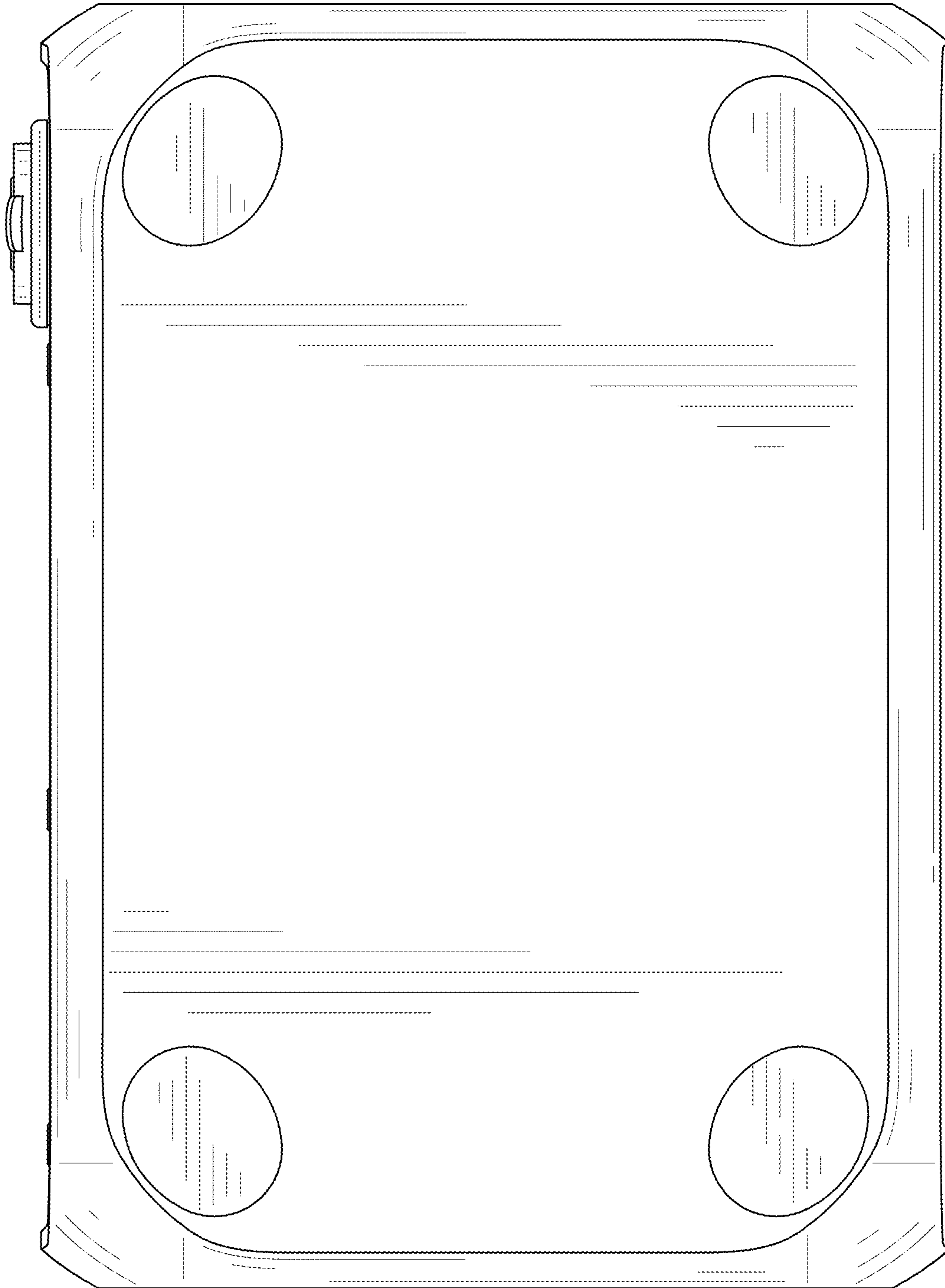


FIG. 8