



US00D942931S

(12) **United States Design Patent** (10) **Patent No.:** **US D942,931 S**  
**Fang** (45) **Date of Patent:** **\*\* Feb. 8, 2022**

(54) **OUTDOOR EMERGENCY POWER SUPPLY**  
(71) Applicant: **SHENZHEN SUNBEAM POWER TECHNOLOGY CO., LTD**, Shenzhen (CN)  
(72) Inventor: **Huayan Fang**, Shenzhen (CN)  
(\*\*) Term: **15 Years**  
(21) Appl. No.: **29/724,862**  
(22) Filed: **Feb. 19, 2020**  
(51) **LOC (13) Cl.** ..... **13-02**  
(52) **U.S. Cl.**  
USPC ..... **D13/107; D13/110**  
(58) **Field of Classification Search**  
USPC ..... D13/118–119, 184, 199, 103, 107–108, D13/110; D14/251, 253, 432, 434  
CPC ..... H02J 7/025; H02J 7/0042; H02J 7/0044; H02J 7/0045; H02J 7/0047; H02J 7/0003; H02J 7/00047; H02J 7/0013; H02J 7/0027; H02J 7/02; H02J 50/10; H02J 50/12  
See application file for complete search history.

D872,011 S \* 1/2020 Rao ..... D13/107  
D872,012 S \* 1/2020 Rao ..... D13/107  
D874,396 S \* 2/2020 Rao ..... D13/107  
D884,608 S \* 5/2020 Gan ..... D13/107  
D885,330 S \* 5/2020 Gan ..... D13/107  
D886,048 S \* 6/2020 Gan ..... D13/107  
D889,398 S \* 7/2020 Gan ..... D13/107  
D892,727 S \* 8/2020 Gan ..... D13/107  
D896,749 S \* 9/2020 Wu ..... D13/107  
D902,851 S \* 11/2020 Wu ..... D13/107  
D911,936 S \* 3/2021 Miller ..... H02J 1/122 D13/107  
D918,828 S \* 5/2021 Liu ..... D13/102  
D919,572 S \* 5/2021 Lei ..... D13/110  
D926,123 S \* 7/2021 Zhu ..... D13/107  
D926,124 S \* 7/2021 Zhu ..... D13/107  
2016/0359352 A1 \* 12/2016 Chiu ..... F02N 11/12

\* cited by examiner

*Primary Examiner* — Rosemary K Tarcza

(57) **CLAIM**

The ornamental design for an outdoor emergency power supply, as shown and described.

**DESCRIPTION**

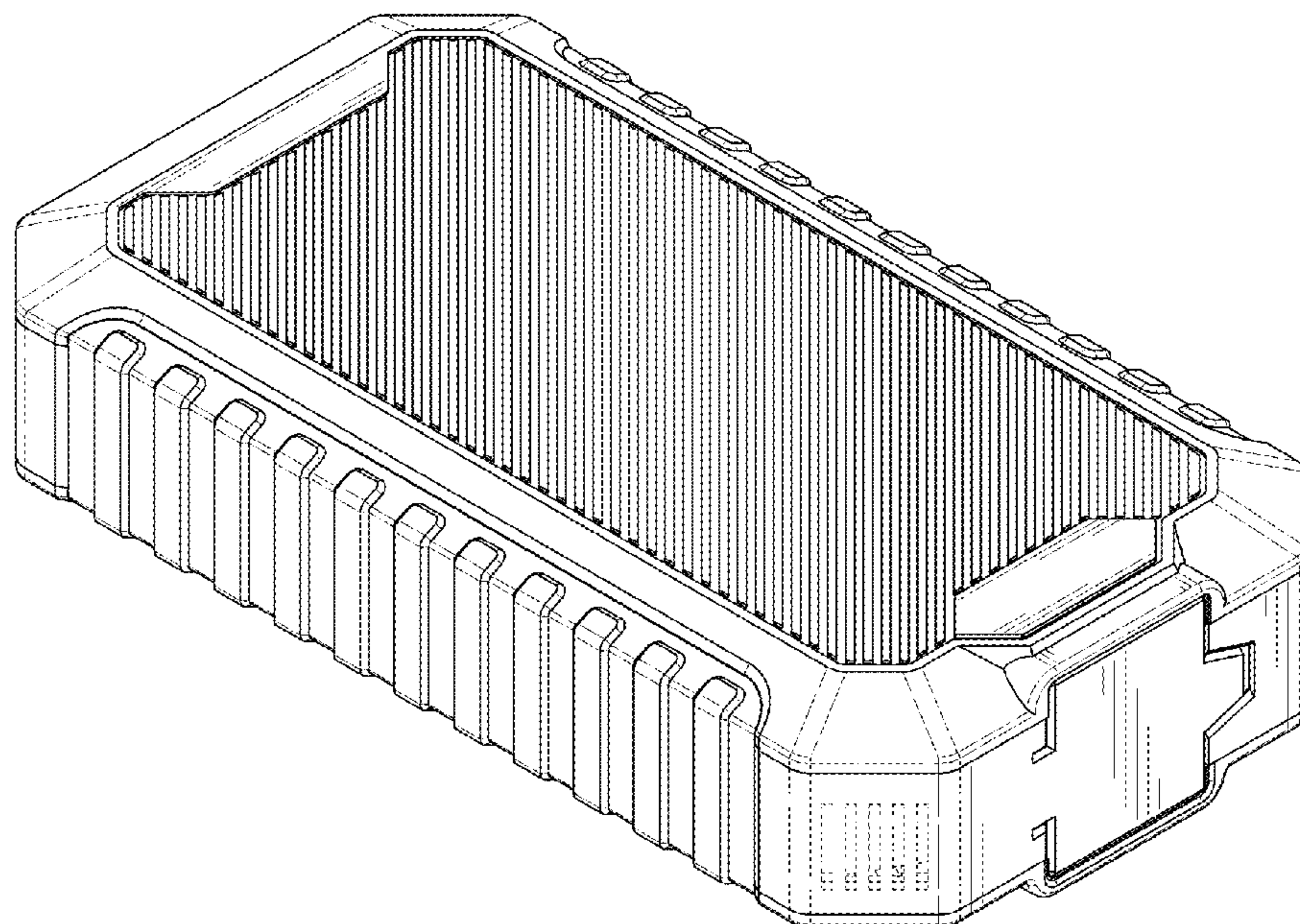
FIG. 1 is a front and top perspective view of an outdoor emergency power supply, showing my new design; FIG. 2 is a rear and bottom perspective view thereof; FIG. 3 is a front elevational view thereof; FIG. 4 is a rear elevational view thereof; FIG. 5 is a left side elevational view thereof; FIG. 6 is a right side elevational view thereof; FIG. 7 is a top plan view thereof; and, FIG. 8 is a bottom plan view thereof. The broken lines in the figures illustrate portions of the outdoor emergency power supply that form no part of the claimed design.

**1 Claim, 8 Drawing Sheets**

(56) **References Cited**

**U.S. PATENT DOCUMENTS**

D701,490 S \* 3/2014 Inskeep ..... D13/110  
D742,310 S \* 11/2015 Yen ..... D13/108  
D745,455 S \* 12/2015 Nook ..... D13/107  
D746,770 S \* 1/2016 Nook ..... D13/107  
D786,192 S \* 5/2017 Liu ..... D13/107  
D803,151 S \* 11/2017 Zhou ..... D13/107  
D817,866 S \* 5/2018 Liu ..... D13/102  
D821,306 S \* 6/2018 Liu ..... D13/107  
D832,781 S \* 11/2018 Nook ..... D13/107  
D836,064 S \* 12/2018 Liu ..... D13/102  
D851,586 S \* 6/2019 Liu ..... D13/108



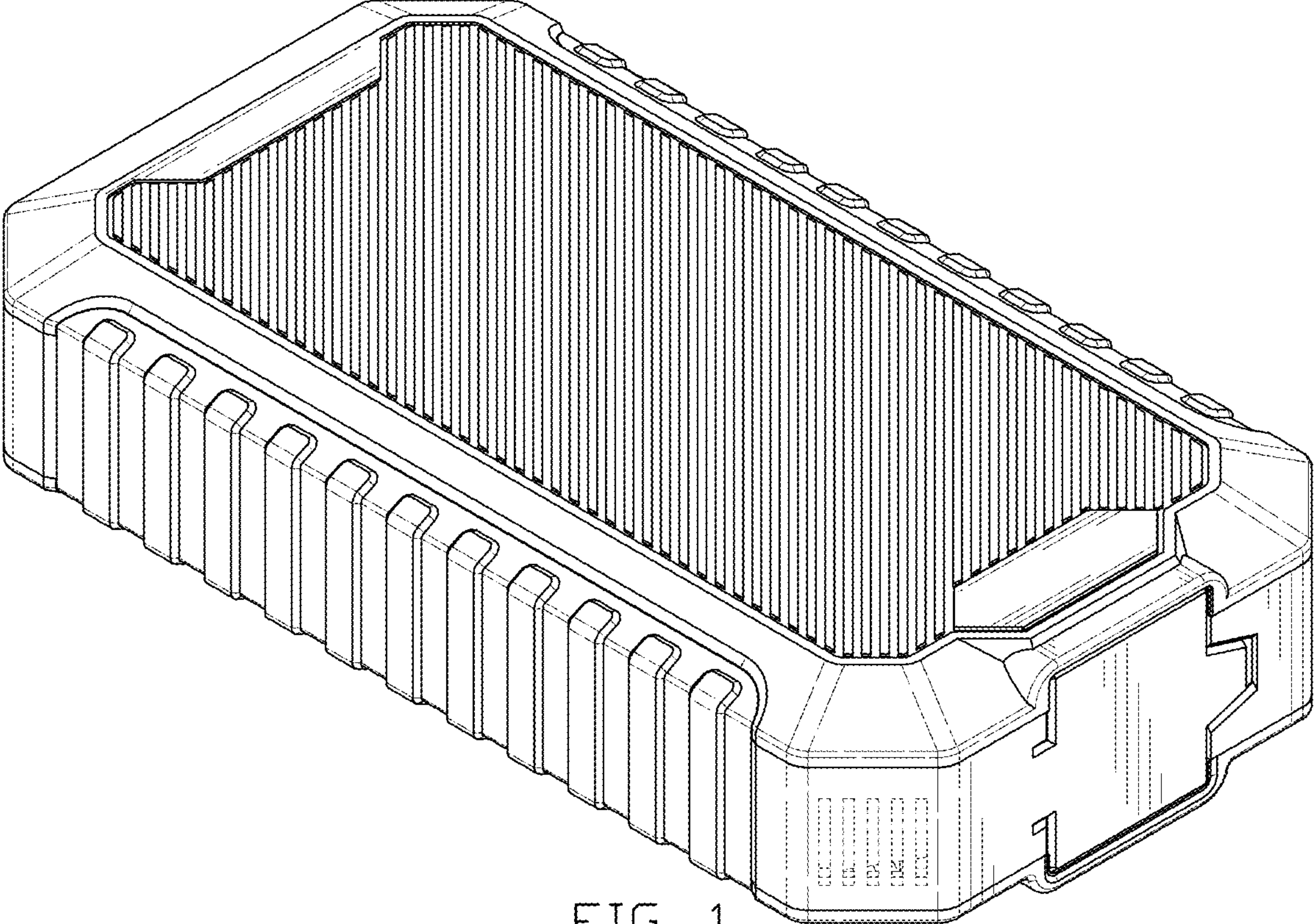


FIG. 1



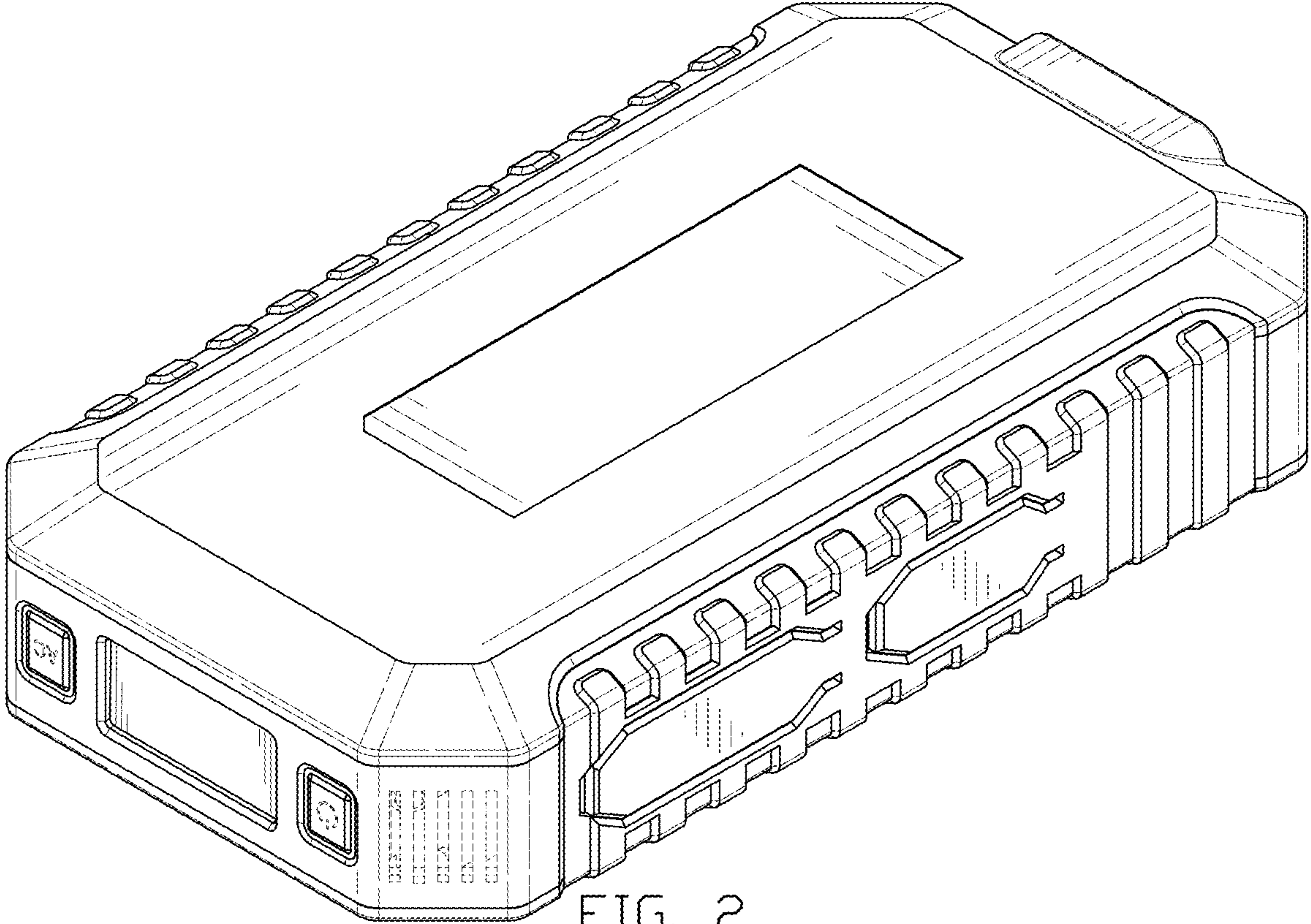


FIG. 2



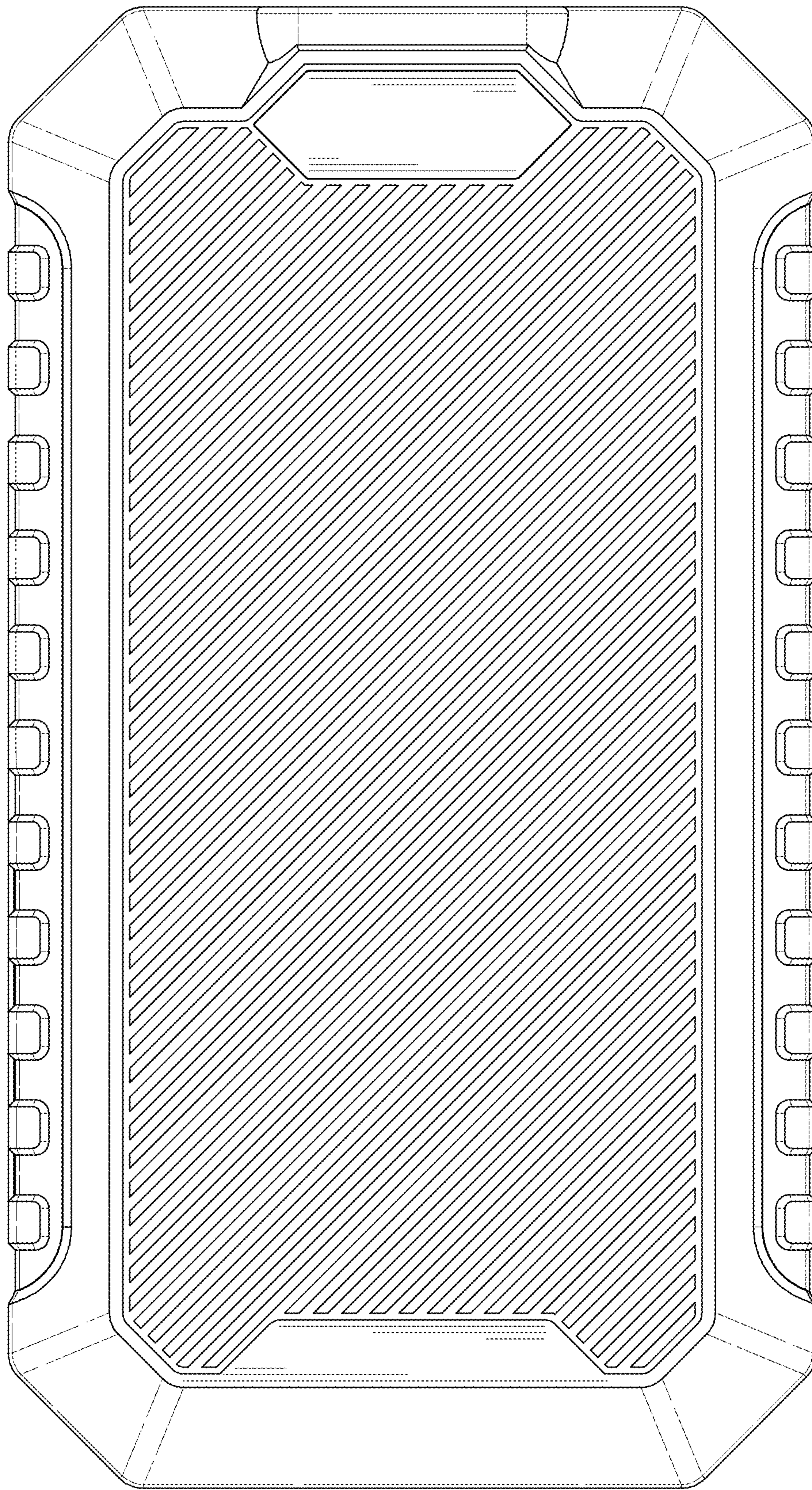


FIG. 3

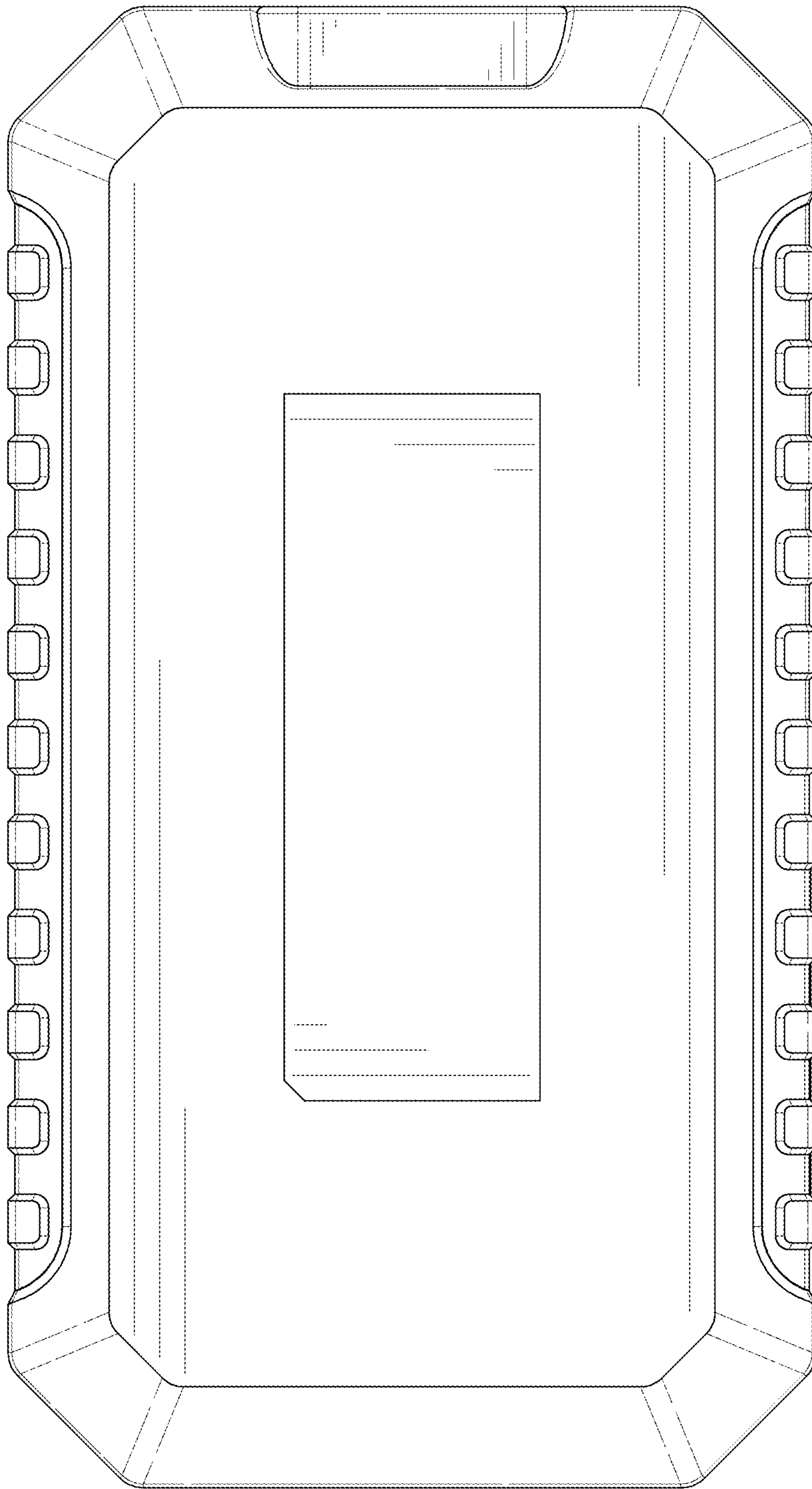


FIG. 4



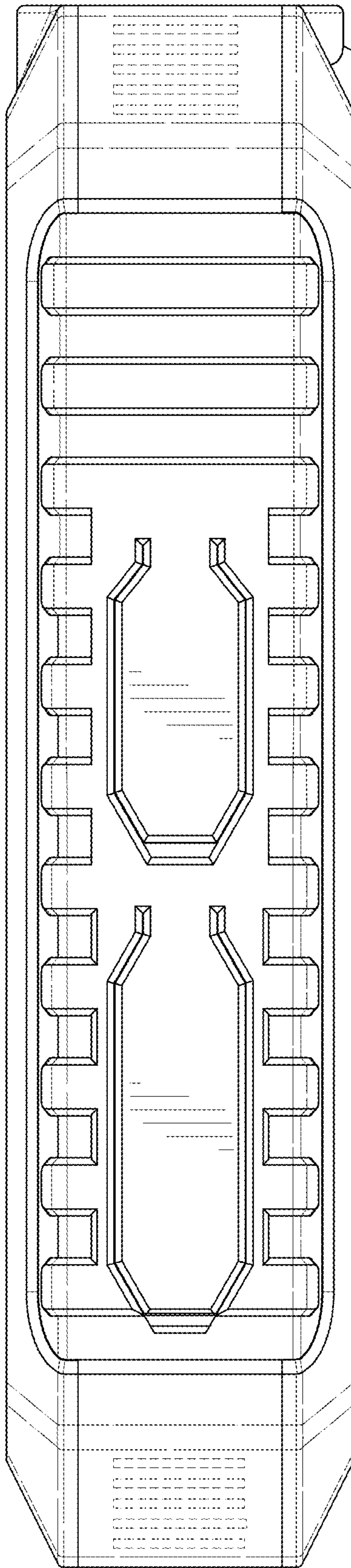


FIG. 5

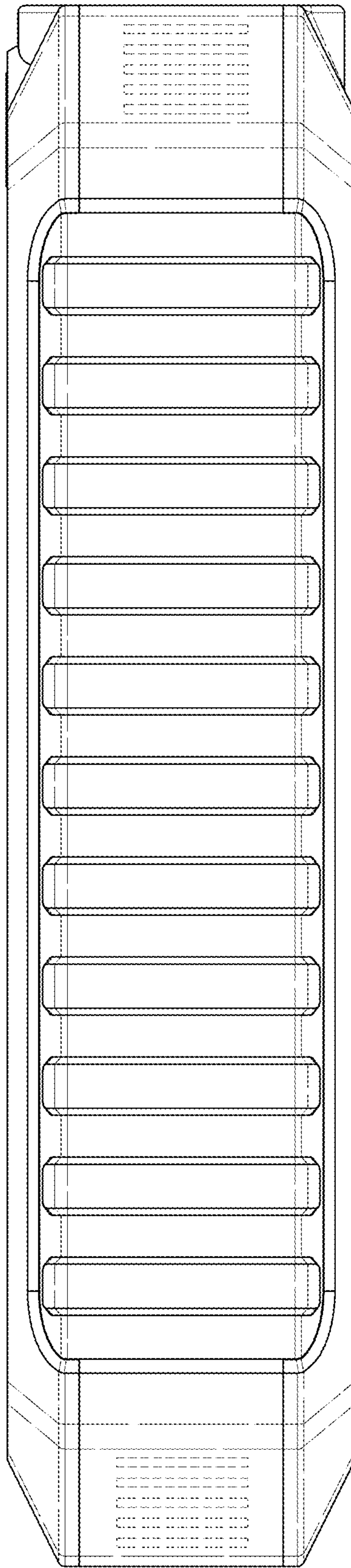


FIG. 6

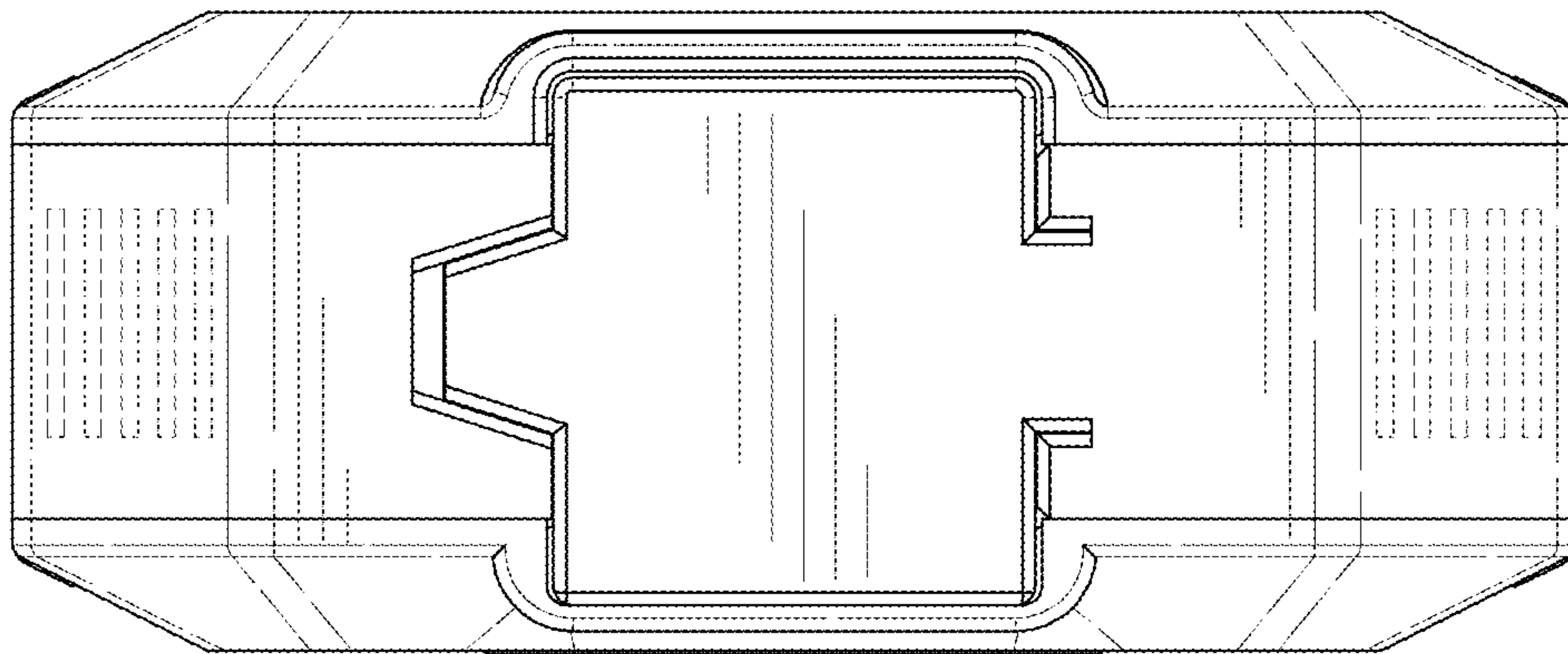


FIG. 7



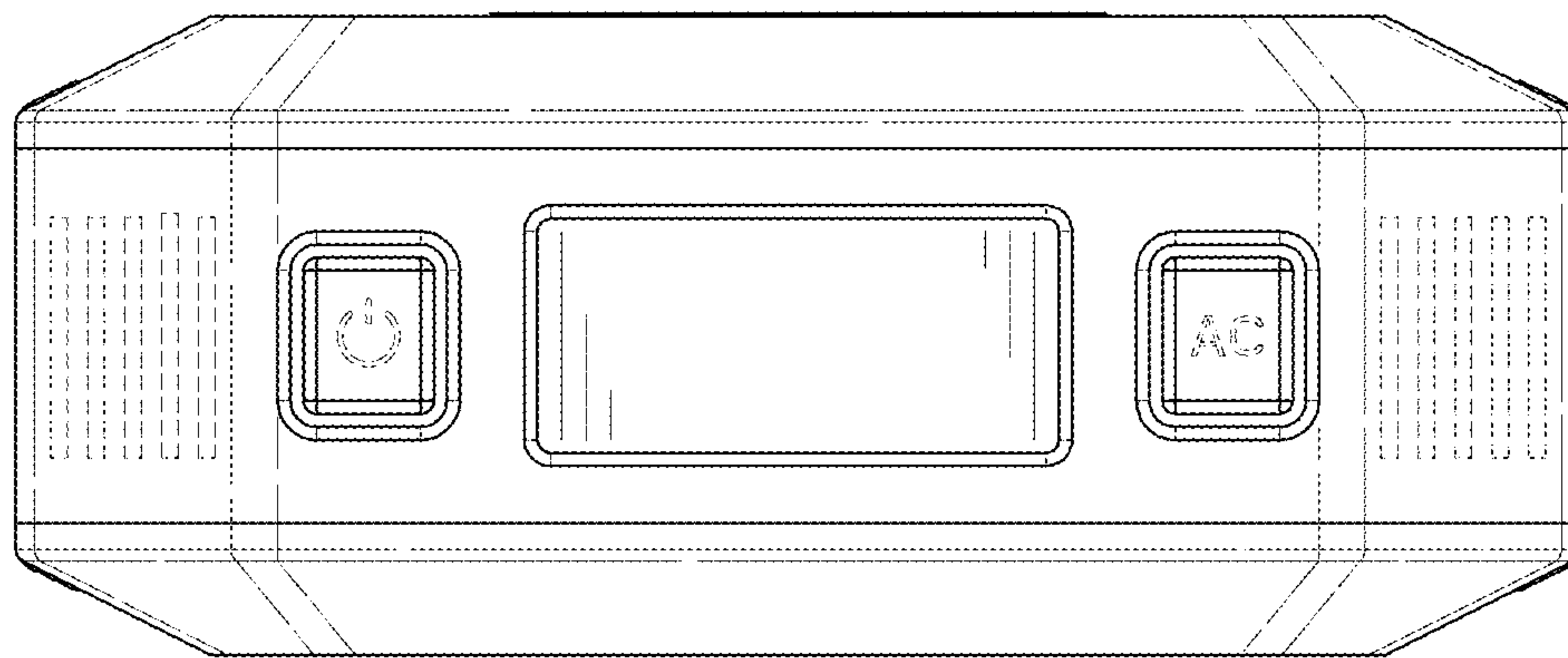


FIG. 8