



US00D942930S

(12) **United States Design Patent** (10) **Patent No.:** **US D942,930 S**
Bonilla et al. (45) **Date of Patent:** **** Feb. 8, 2022**

- (54) **CHARGE CENTER**
- (71) Applicant: **Hubbell Incorporated**, Shelton, CT (US)
- (72) Inventors: **Nelson Bonilla**, Shelton, CT (US);
Jason Walker, Bethany, CT (US);
Timothy Repp, Barkhamsted, CT (US)
- (73) Assignee: **Hubbell Incorporated**, Shelton, CT (US)
- (**) Term: **15 Years**
- (21) Appl. No.: **29/677,136**
- (22) Filed: **Jan. 17, 2019**
- (51) **LOC (13) Cl.** **13-02**
- (52) **U.S. Cl.**
USPC **D13/107**
- (58) **Field of Classification Search**
USPC D13/103, 107-110, 118-119, 184, 199;
D14/251, 253, 432, 434
CPC H02J 7/025; H02J 7/005; H02J 7/0026;
H02J 7/0042; H02J 7/0044; H02J 7/0045;
H02J 7/0013; H02J 7/0003
See application file for complete search history.

- D801,920 S 11/2017 Yoon
- D805,030 S 12/2017 Massar
- D811,997 S * 3/2018 Sha D13/107
- D820,783 S * 6/2018 Gelder D13/107
- D823,792 S 7/2018 Komoni
- (Continued)

FOREIGN PATENT DOCUMENTS

EP 0926798 A1 6/1999

OTHER PUBLICATIONS

PCT/US2019/020011 International Search Report and Written Opinion dated May 2, 2019 (17 pages).

Primary Examiner — Rosemary K Tarcza
(74) *Attorney, Agent, or Firm* — Michael Best & Friedrich LLP

(57) **CLAIM**

We claim the ornamental design for a charge center, as shown and described.

DESCRIPTION

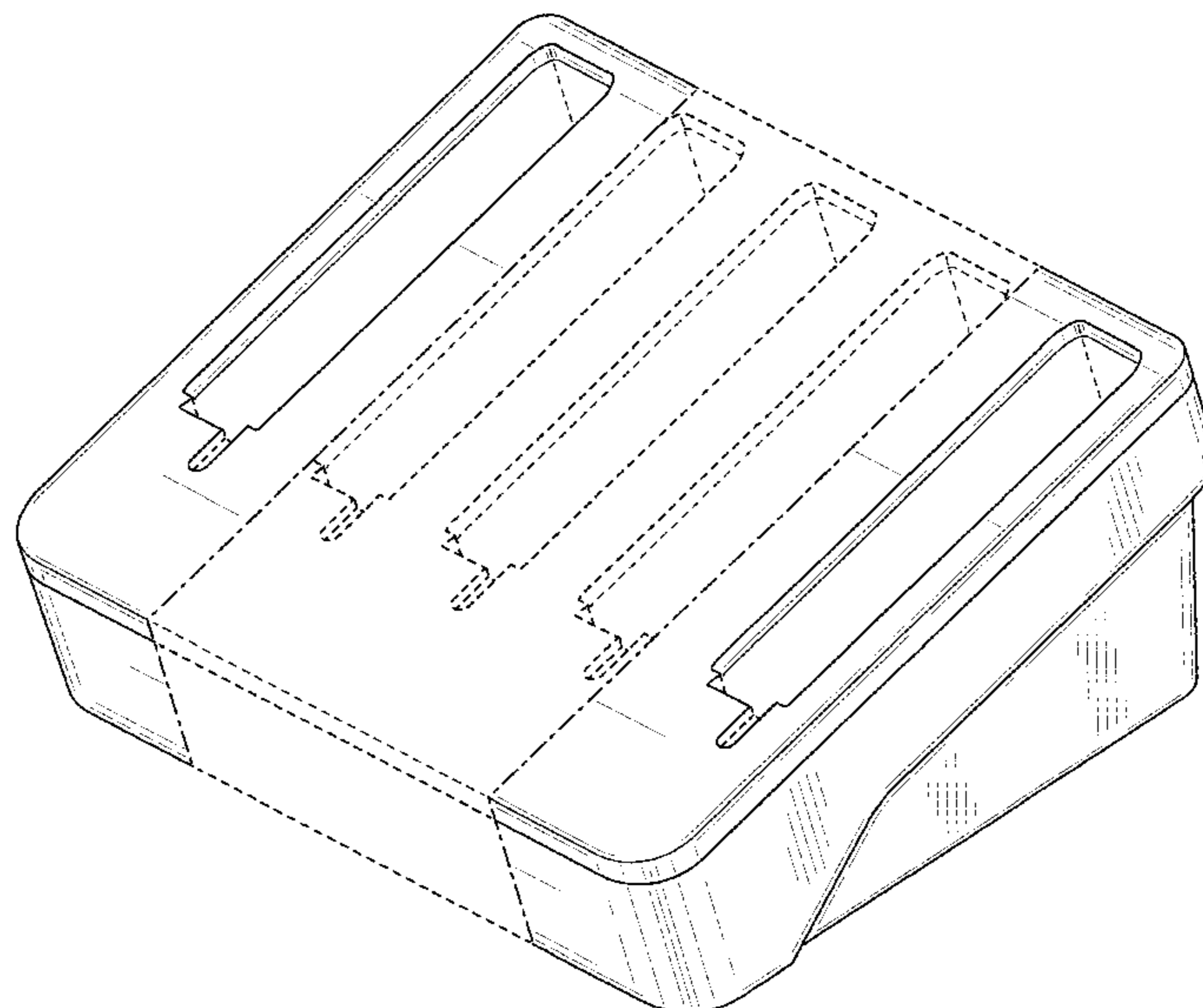
FIG. 1 is a top perspective view of a charge center according to an embodiment of the application.
 FIG. 2 is a front view of the charge center shown in FIG. 1.
 FIG. 3 is a rear view of the charge center shown in FIG. 1.
 FIG. 4 is a first side view of the charge center shown in FIG. 1.
 FIG. 5 is a second side view of the charge center shown in FIG. 1.
 FIG. 6 is a top view of the charge center shown in FIG. 1; and,
 FIG. 7 is a bottom view of the charge center shown in FIG. 1.
 The elements shown in broken lines are included for the purpose of illustrating environment and form no part of the claimed design.

1 Claim, 7 Drawing Sheets

(56) **References Cited**

U.S. PATENT DOCUMENTS

- D375,936 S * 11/1996 Palatov D13/108
- D402,258 S * 12/1998 Kawakami D13/107
- 6,326,767 B1 12/2001 Small et al.
- D456,085 S 4/2002 O'Brien
- D654,019 S 2/2012 Ikegame
- D680,066 S 4/2013 Kinoshita
- D710,797 S * 8/2014 Awiszus D13/107
- D722,957 S 2/2015 Kotaniemi
- D736,703 S 8/2015 Kotaniemi
- D743,884 S * 11/2015 Kotaniemi D13/108
- D755,122 S * 5/2016 Gecawicz D13/107
- D761,729 S 7/2016 Leong



(56)

References Cited

U.S. PATENT DOCUMENTS

D860,132	S	9/2019	Fu	
D866,460	S	11/2019	Komoni	
D879,713	S	* 3/2020	Piper	D13/108
D894,906	S	* 9/2020	Li	D14/434
D896,227	S	* 9/2020	Sjogren	D14/434
D902,212	S	* 11/2020	Sjogren	D14/434
D908,616	S	* 1/2021	Bonilla	D13/108
D909,295	S	* 2/2021	Bonilla	D13/108
2011/0121790	A1	5/2011	Brandon, II	
2011/0234153	A1	9/2011	Abramson	
2012/0249051	A1	10/2012	Son et al.	
2013/0274920	A1	10/2013	Abramson et al.	
2013/0328522	A1	12/2013	Brockman et al.	
2015/0123598	A1	5/2015	Tew et al.	
2015/0326061	A1	11/2015	Davison et al.	
2016/0088482	A1	3/2016	Zeiler et al.	

* cited by examiner

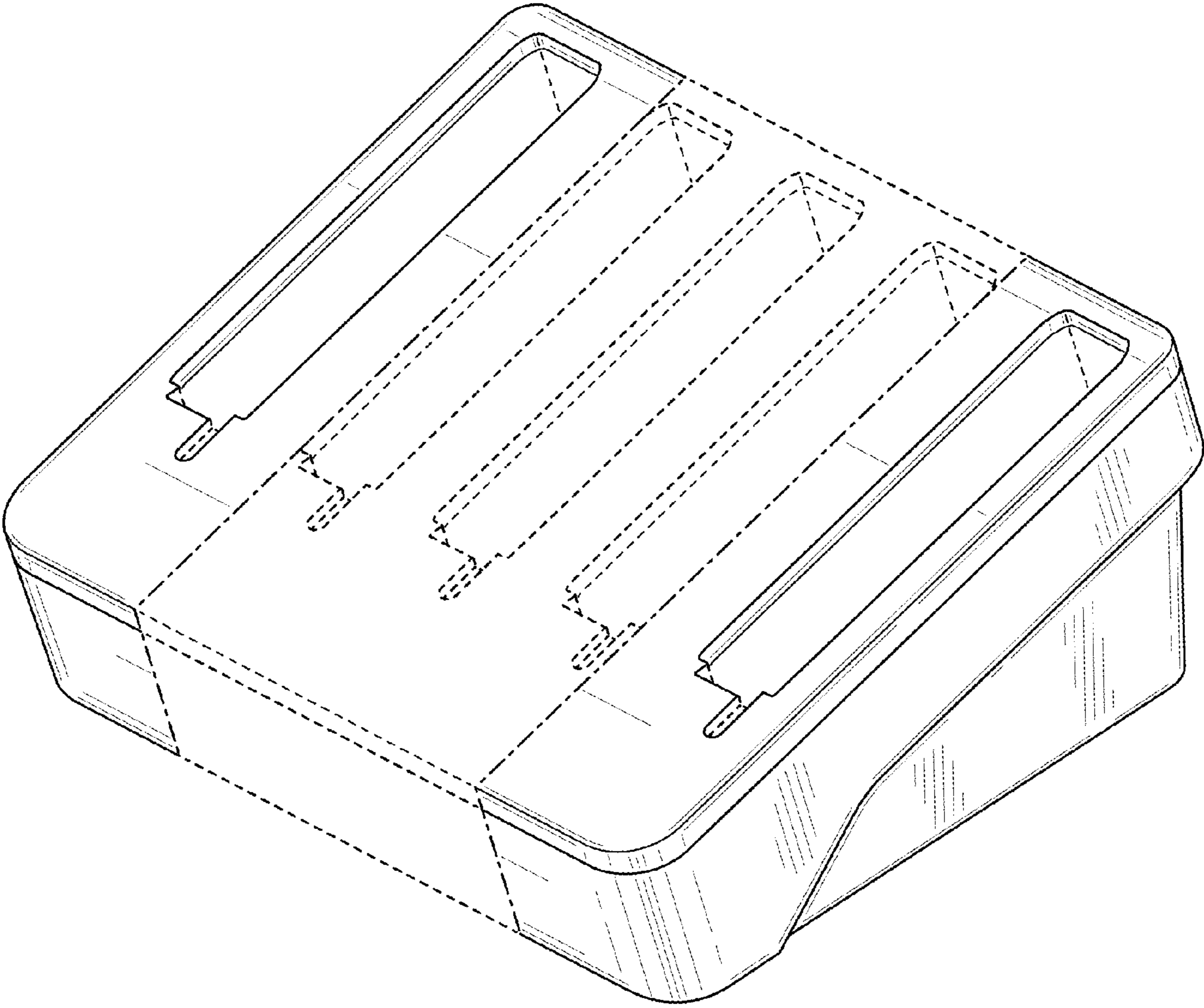


FIG. 1

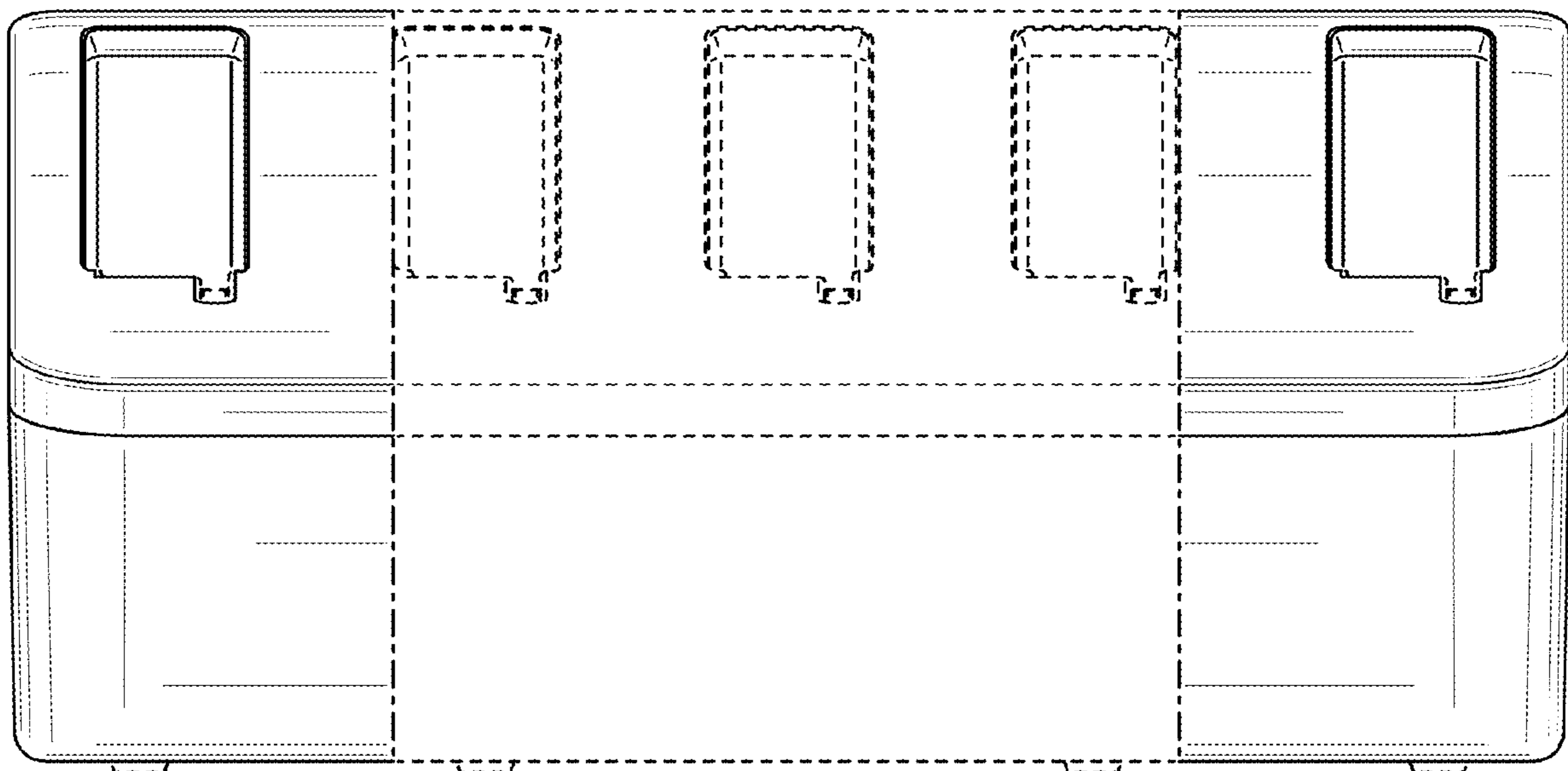


FIG. 2

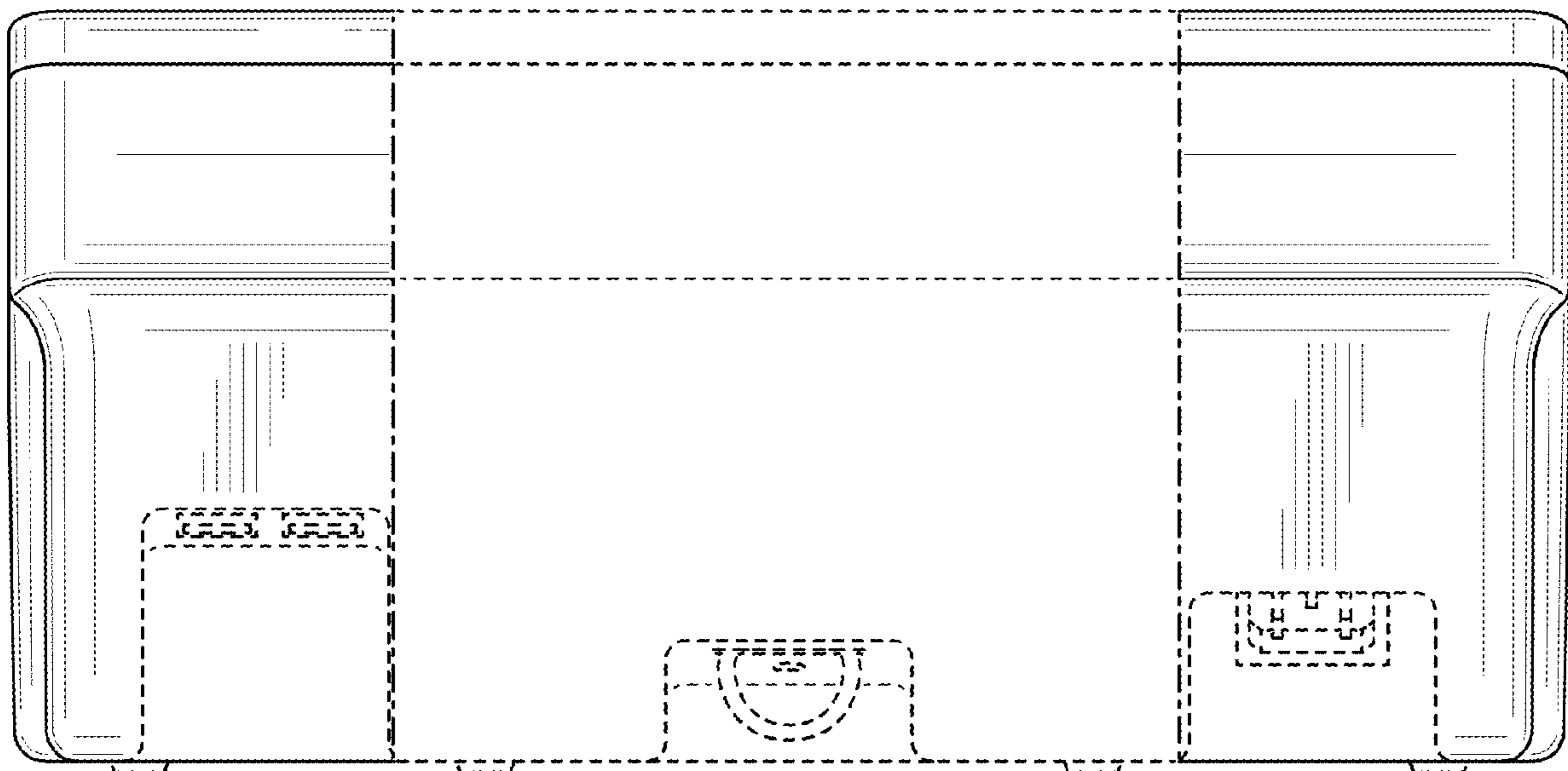


FIG. 3

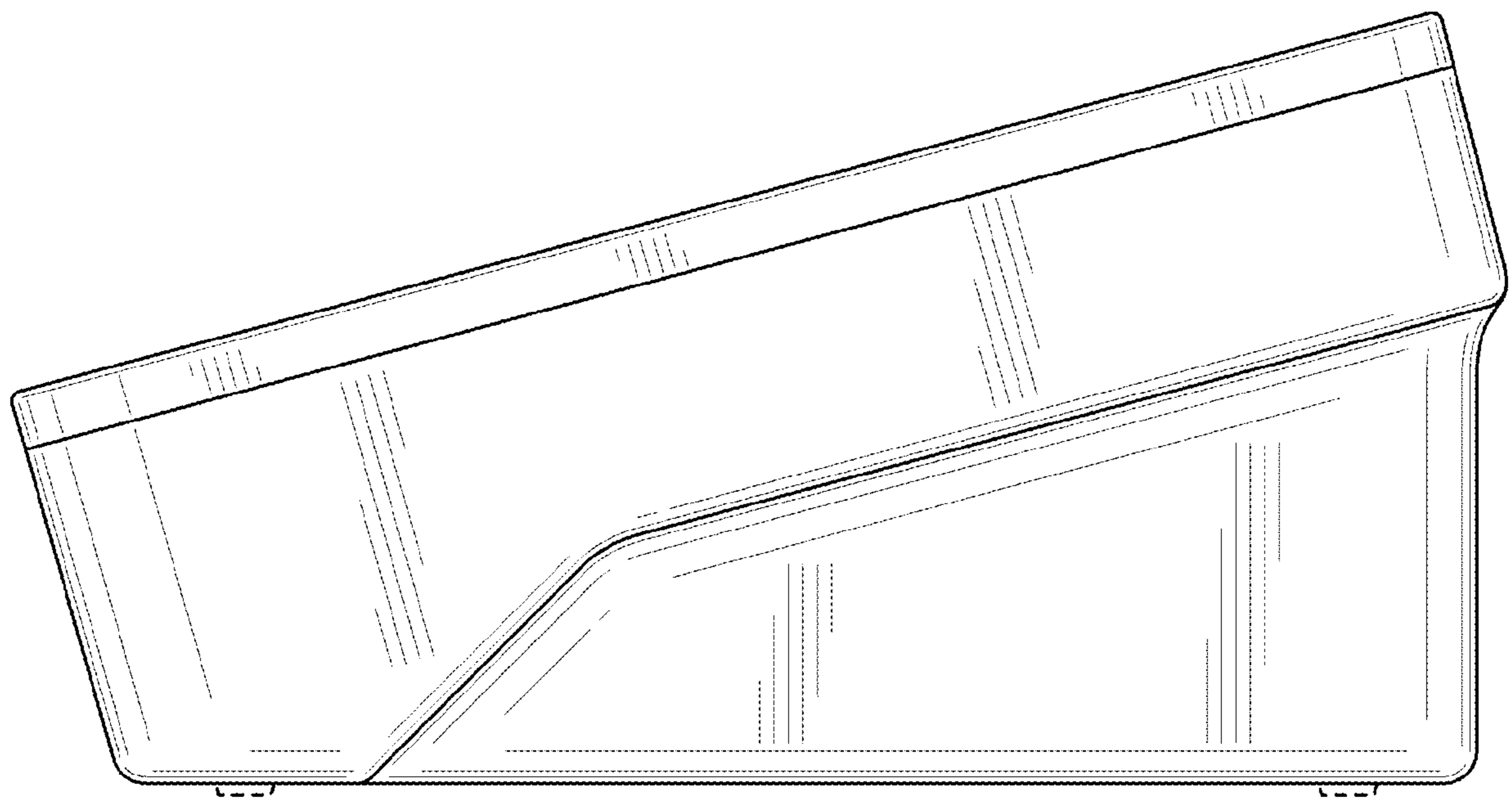


FIG. 4

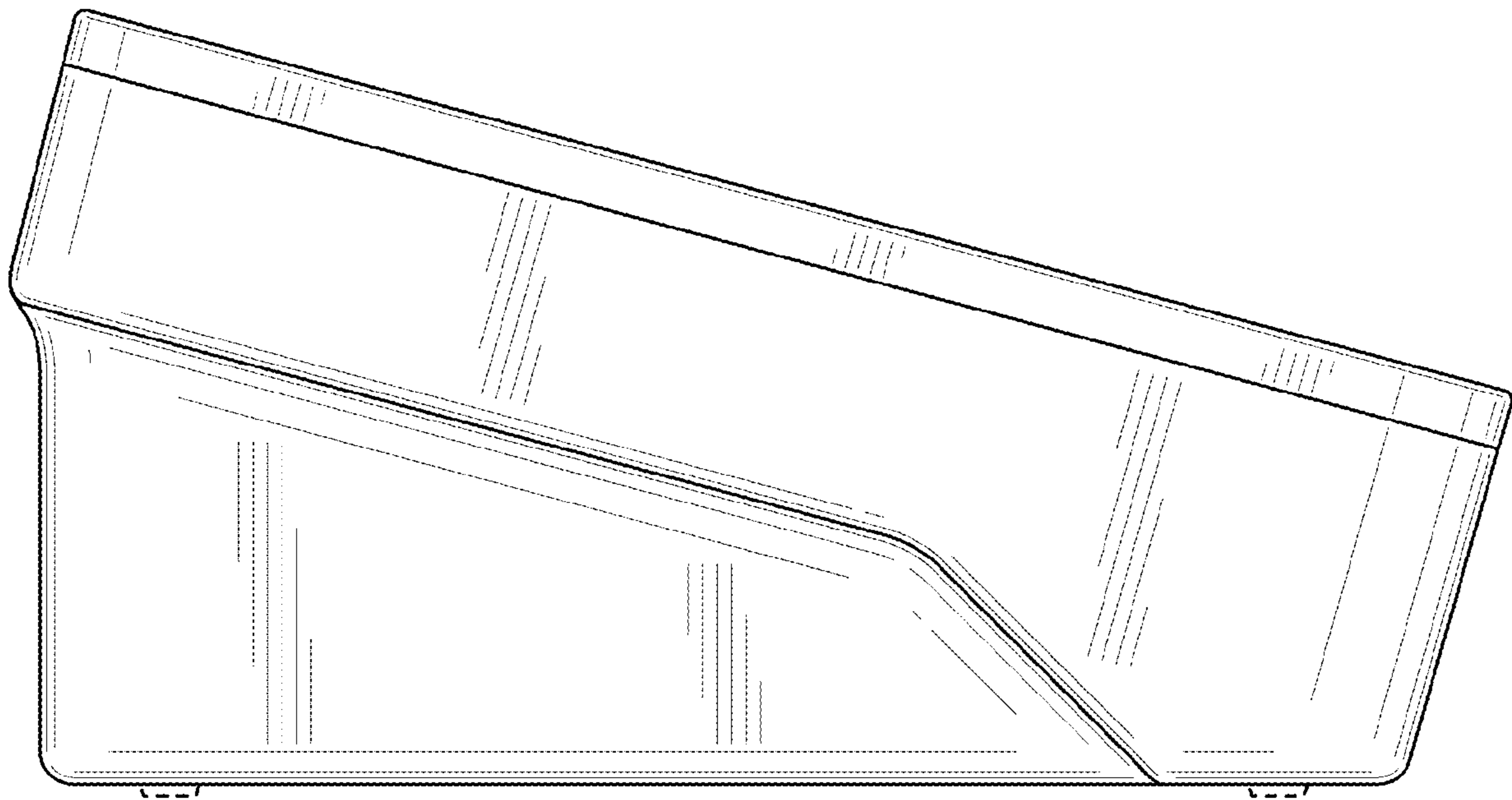


FIG. 5

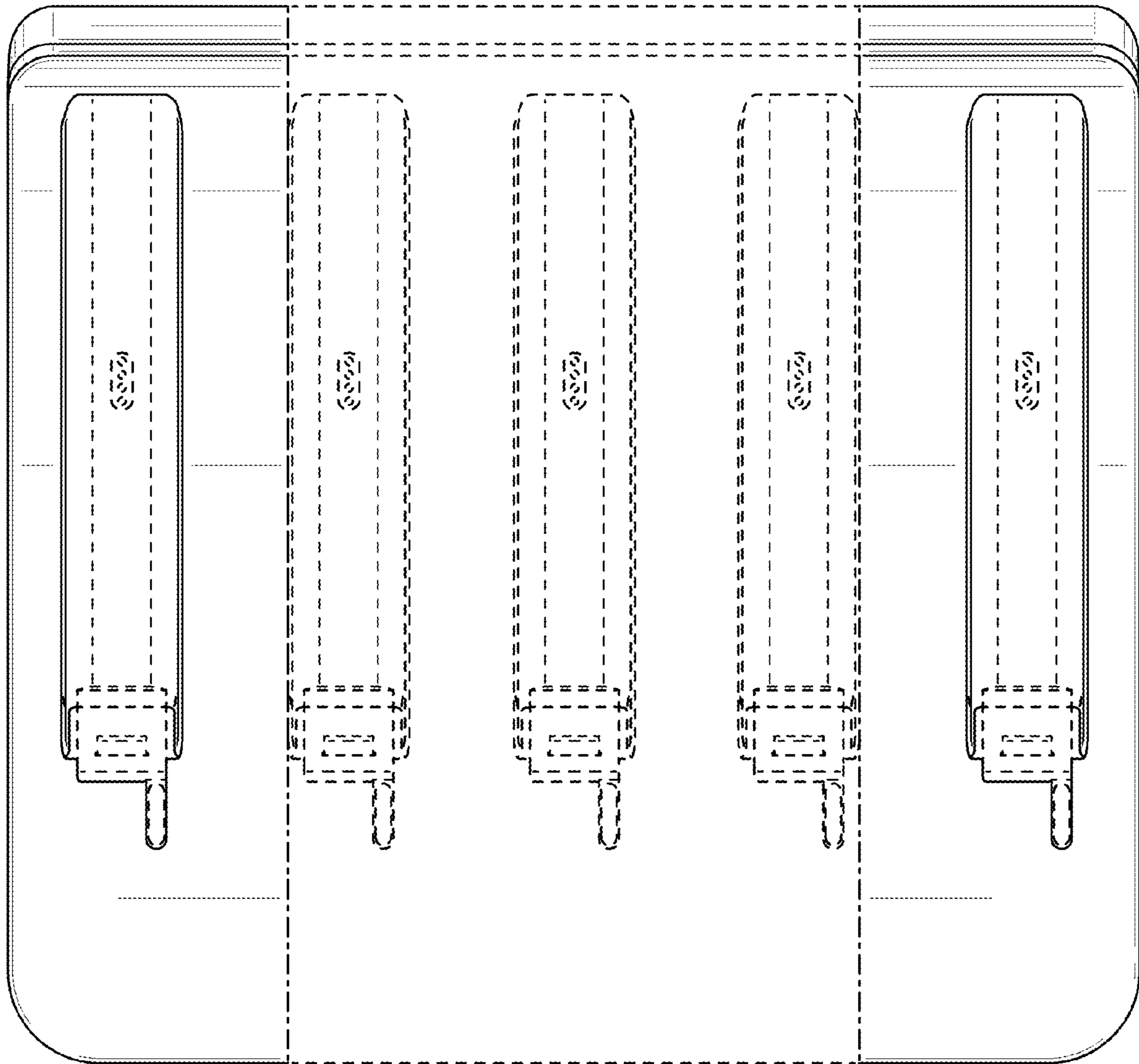


FIG. 6

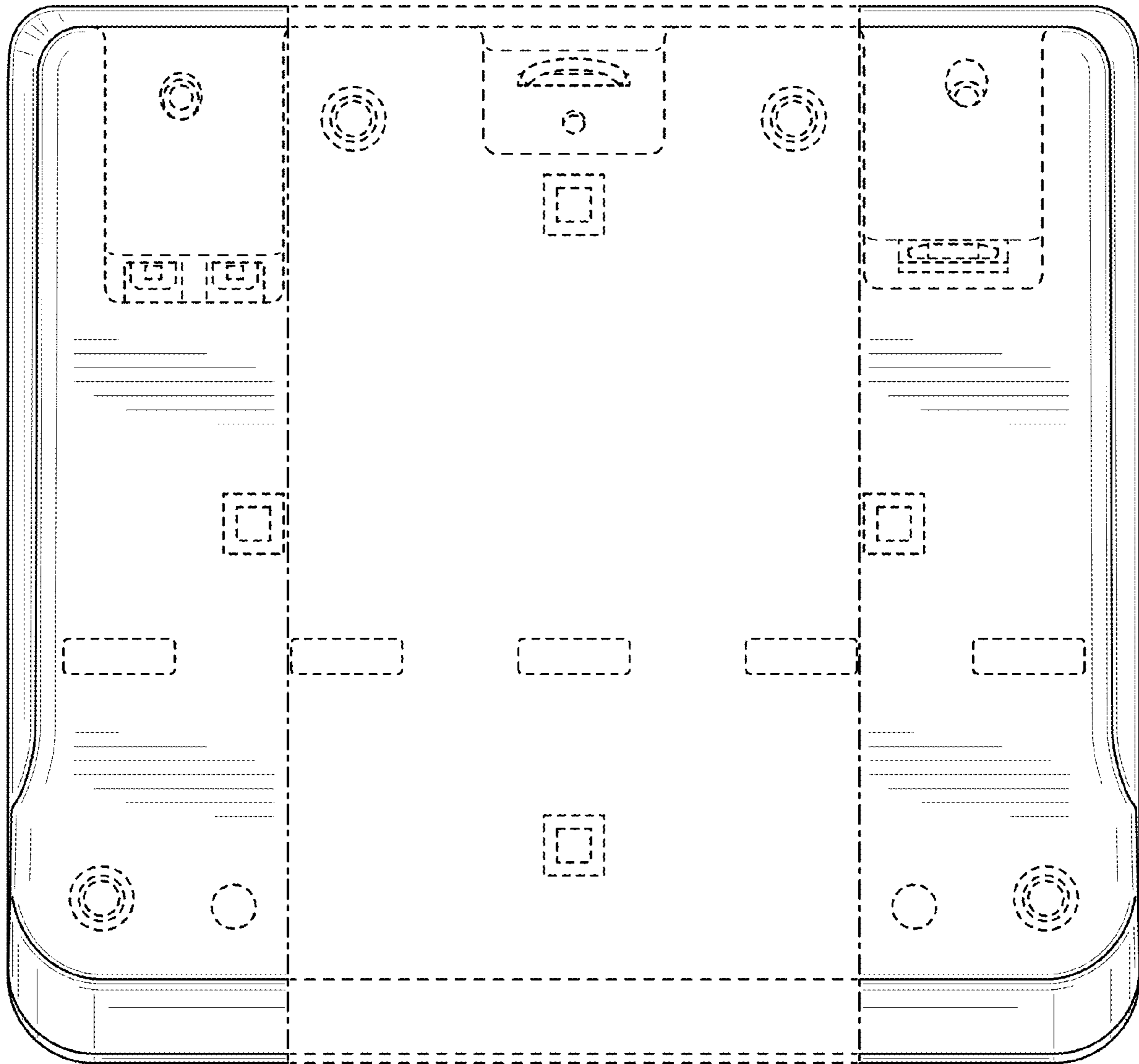


FIG. 7