



US00D942929S

(12) **United States Design Patent**
Yi

(10) **Patent No.:** **US D942,929 S**

(45) **Date of Patent:** **** Feb. 8, 2022**

(54) **BATTERY**

(71) Applicant: **Jinyun Reypu Electronic Technology Co., Ltd., Lishui (CN)**

(72) Inventor: **Dongdong Yi, Lishui (CN)**

(73) Assignee: **Jinyun Reypu Electronic Technology Co., Ltd., Lishui (CN)**

(**) Term: **15 Years**

(21) Appl. No.: **29/728,226**

(22) Filed: **Mar. 17, 2020**

(51) **LOC (13) Cl.** **13-02**

(52) **U.S. Cl.**
USPC **D13/103**

(58) **Field of Classification Search**
USPC D13/103, 107, 108, 110, 118, 119, 122, D13/184, 199

CPC Y02E 60/12; Y02E 60/122; Y02E 60/124; Y02E 60/50; H02J 7/025; H02J 7/0042; H02J 7/0044; H02J 7/0045; H02J 7/0003; H01R 13/6675; H01M 2/1022; H01M 2/1055; H01M 10/44; H01M 10/46; H01M 10/425; B60L 11/182

See application file for complete search history.

(56) **References Cited**

U.S. PATENT DOCUMENTS

D773,389 S * 12/2016 Miller D13/103
D782,414 S * 3/2017 Worthington D13/108

D835,574 S * 12/2018 Trongone D13/103
D841,574 S * 2/2019 Ma D13/103
D852,151 S * 6/2019 Chou D13/184
D882,510 S * 4/2020 Theis D13/103
D892,724 S * 8/2020 Chuang D13/103
D900,022 S * 10/2020 Bell D13/103
D904,301 S * 12/2020 Smalley D13/110
D918,131 S * 5/2021 Suzuki D13/103

* cited by examiner

Primary Examiner — Christy Nemeth

(74) *Attorney, Agent, or Firm* — Schwegman Lundberg & Woessner, P.A.

(57) **CLAIM**

The ornamental design for a battery, as shown and described.

DESCRIPTION

FIG. 1 is a perspective view of a battery showing my new design;

FIG. 2 is a front view thereof;

FIG. 3 is a rear view thereof;

FIG. 4 is a left view thereof;

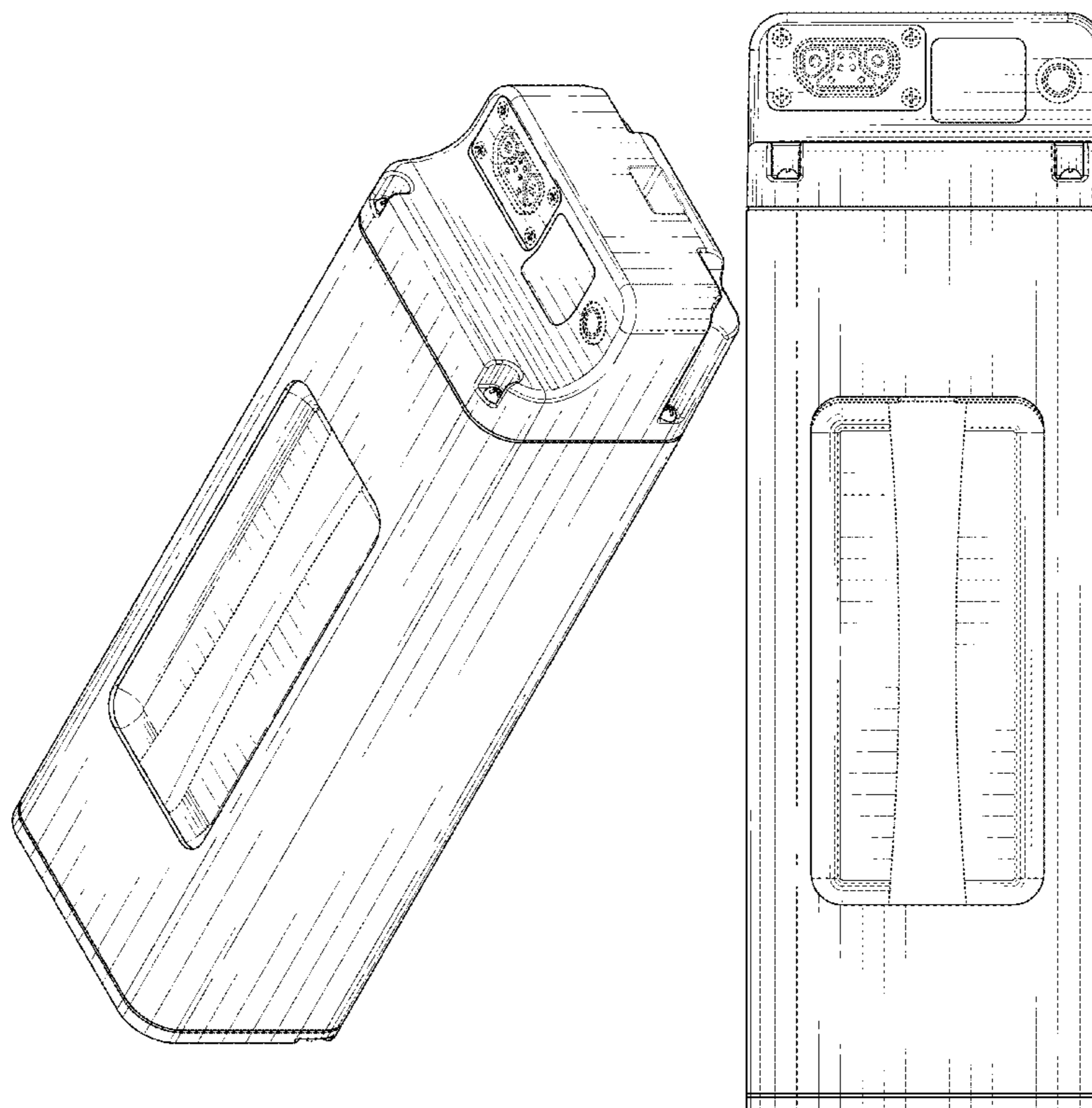
FIG. 5 is a right view thereof;

FIG. 6 is a top view thereof; and,

FIG. 7 is a bottom view thereof.

The broken lines in the drawings are for the purpose of illustrating portions of the article that form no part of the claimed design.

1 Claim, 6 Drawing Sheets



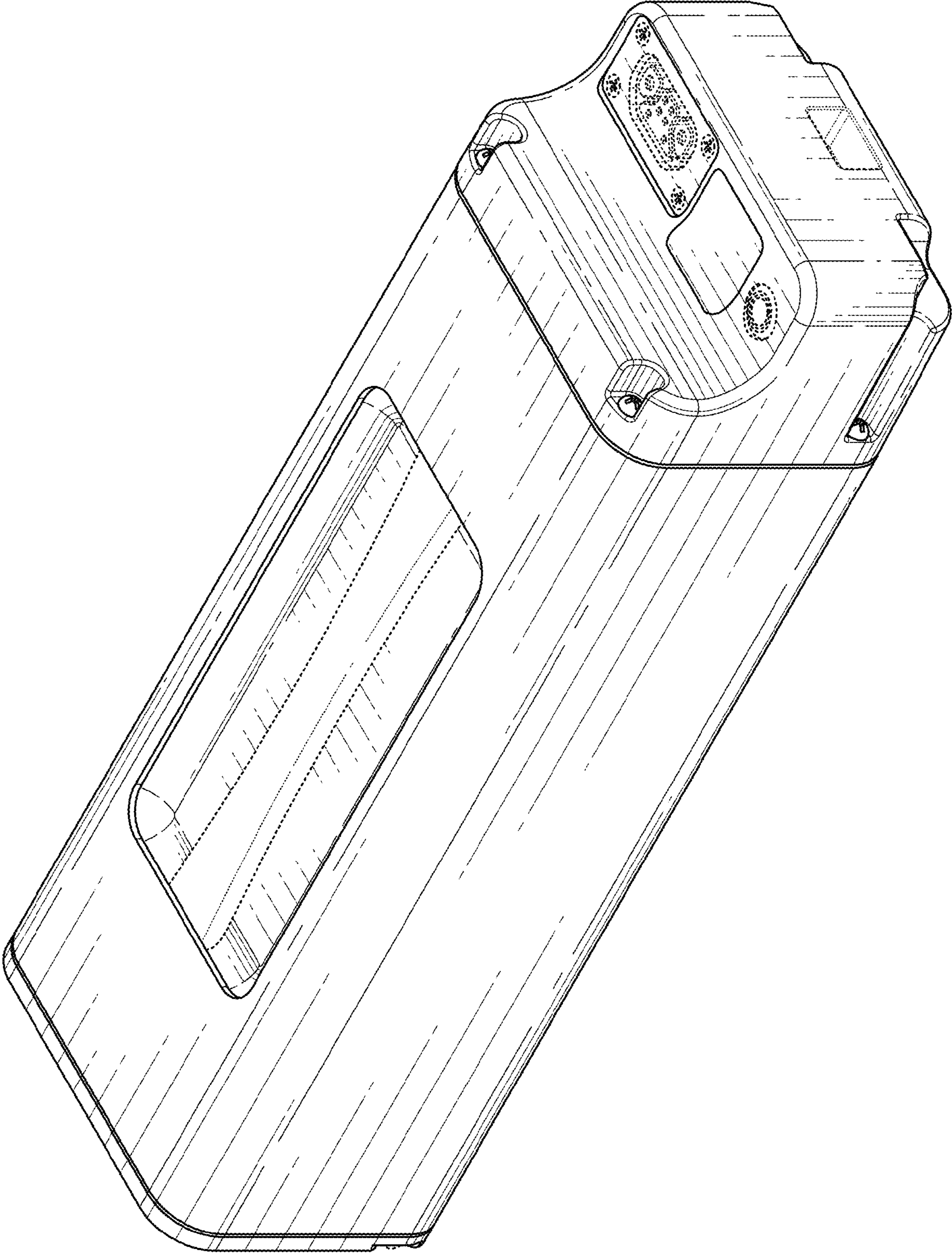


FIG. 1

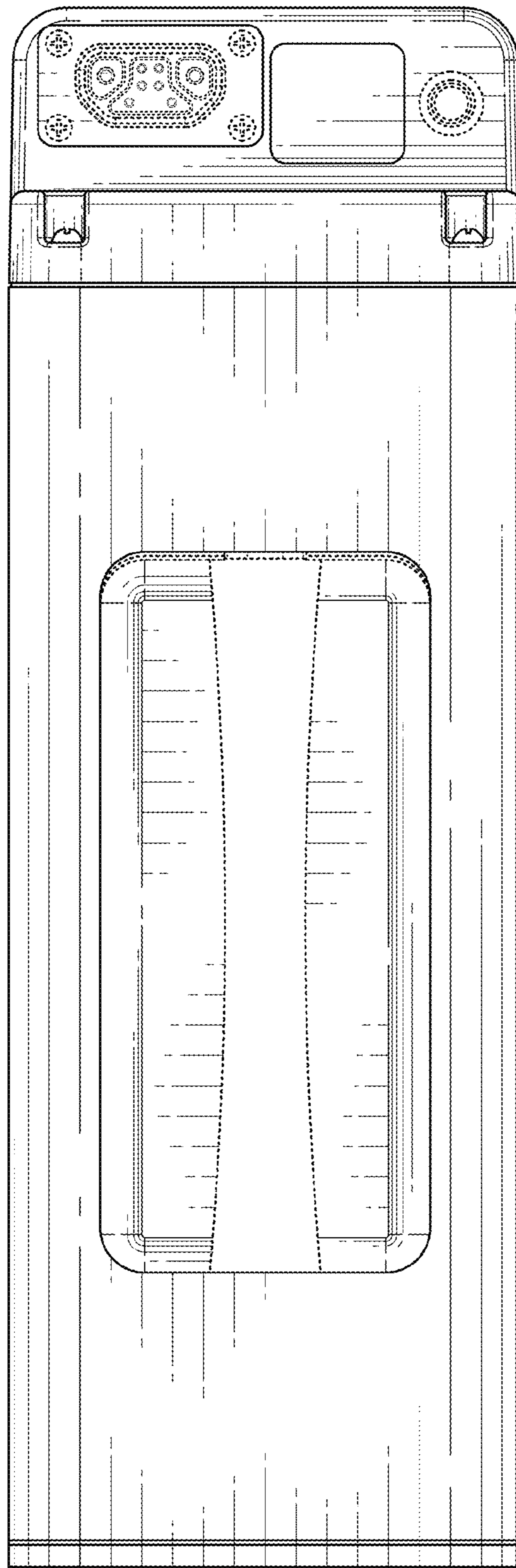


FIG. 2

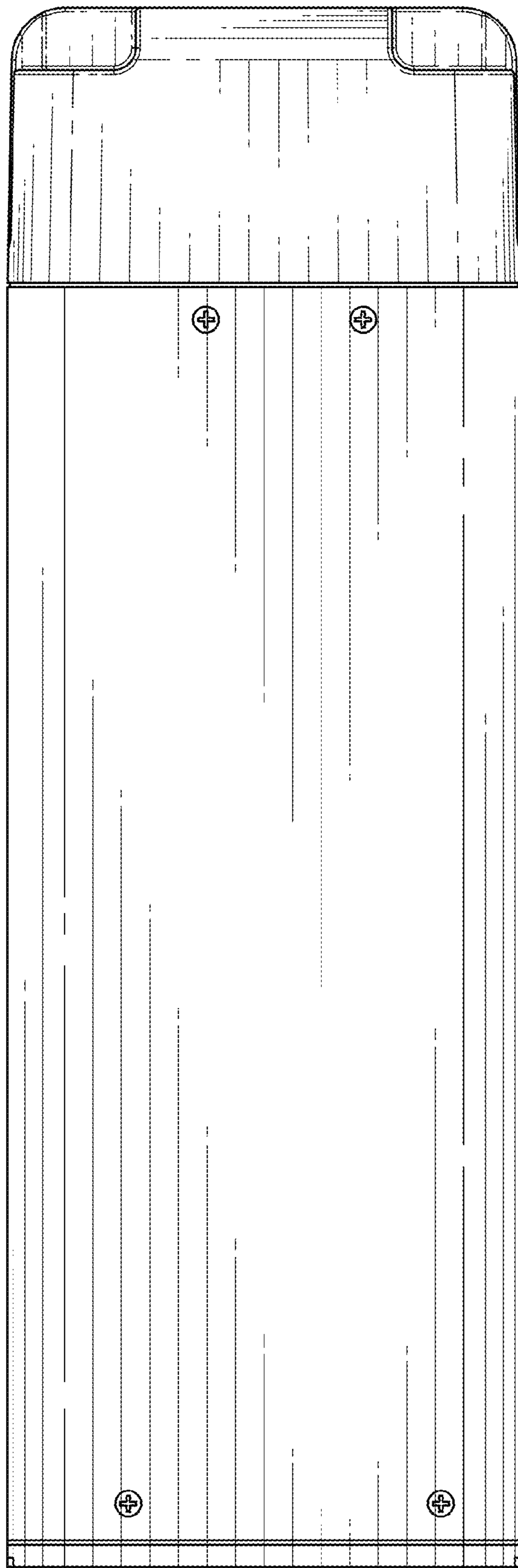


FIG. 3

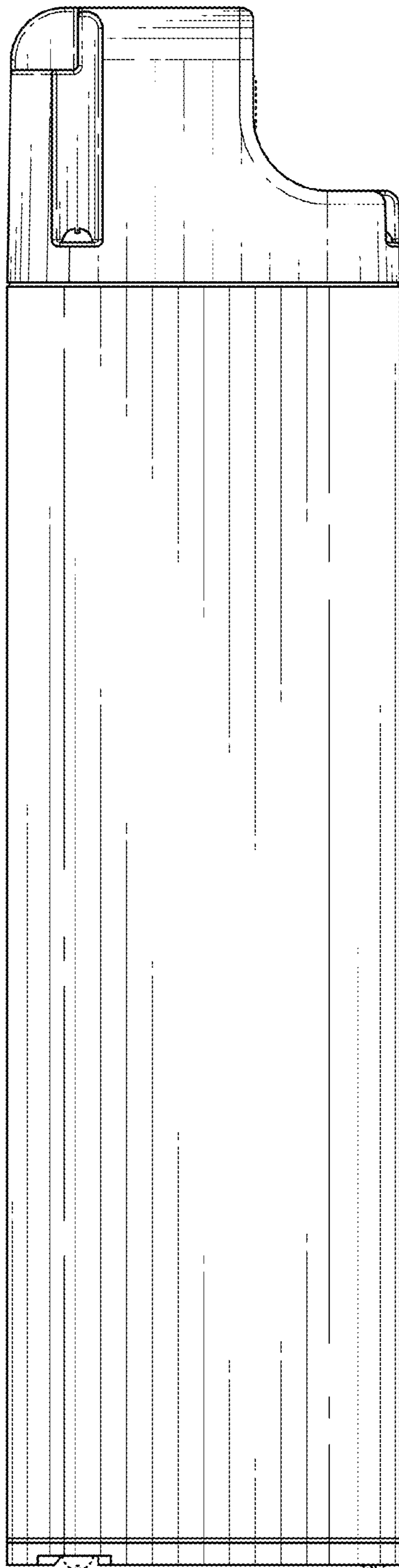


FIG. 4

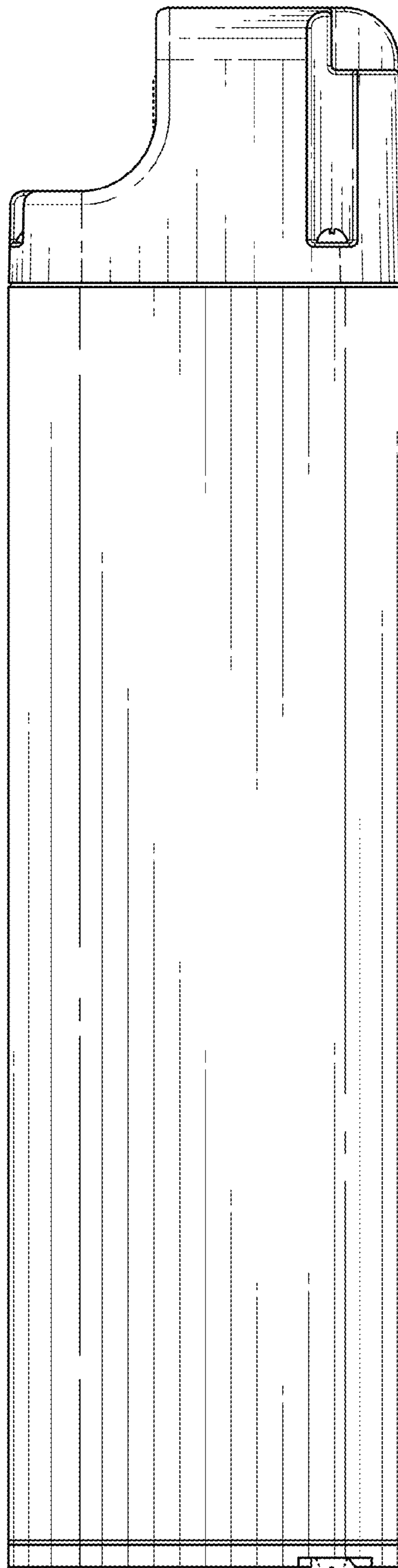


FIG. 5

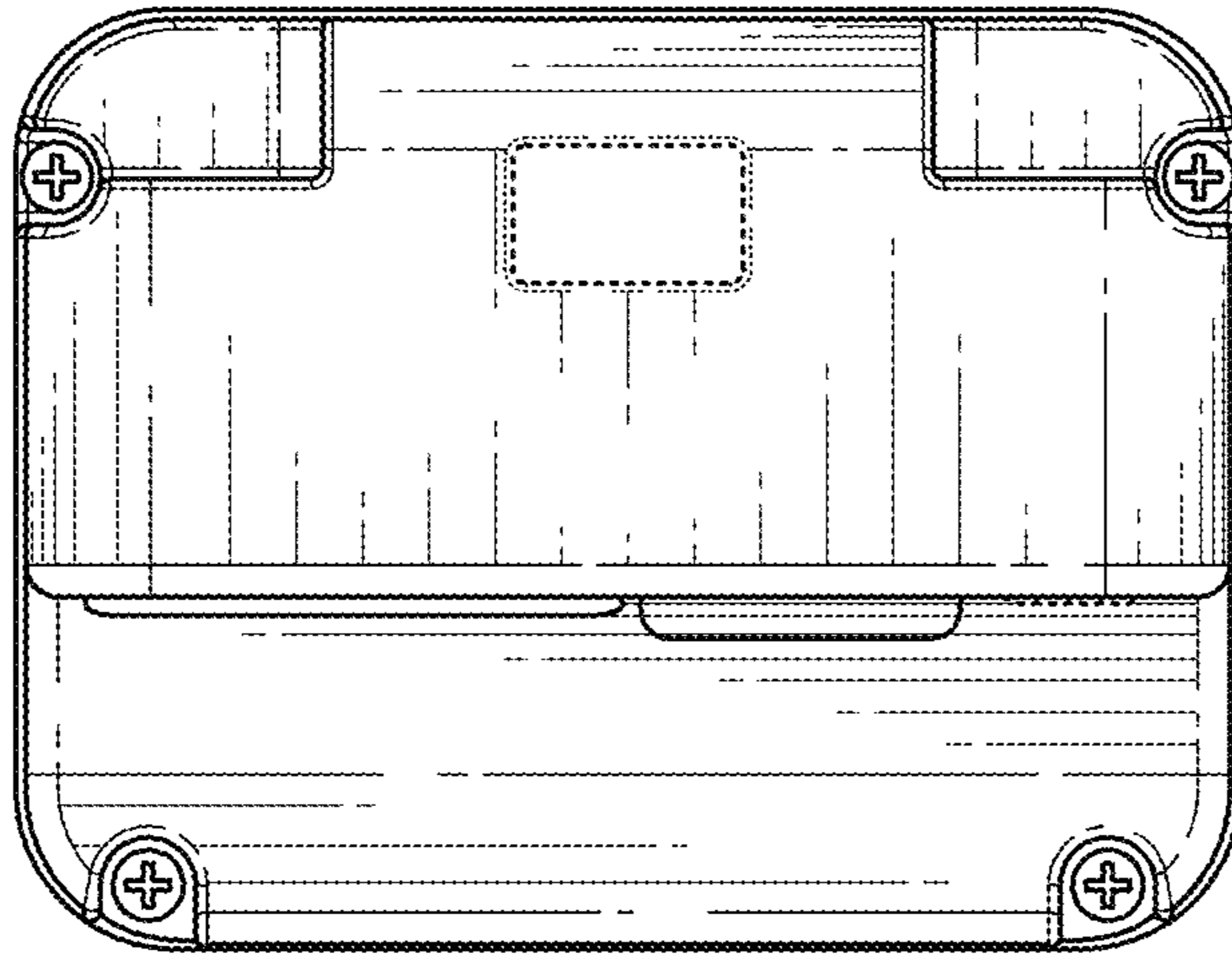


FIG. 6

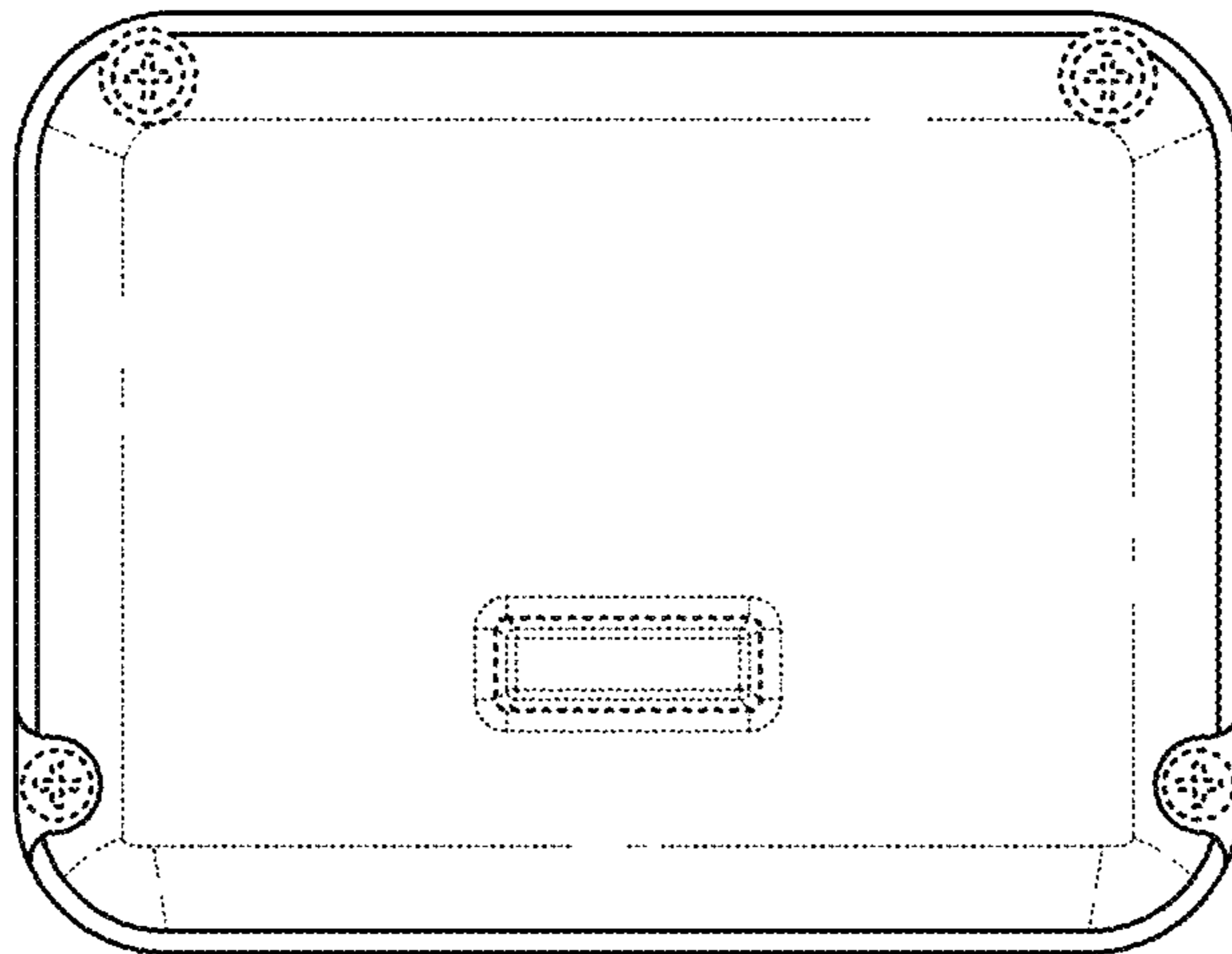


FIG. 7