



US00D942927S

(12) **United States Design Patent**
Goatcher

(10) **Patent No.:** **US D942,927 S**

(45) **Date of Patent:** **** *Feb. 8, 2022**

(54) **COLLAPSIBLE CAR TRUNK GROCERY ORGANIZER WITH COOLER BAG**

DESCRIPTION

- (71) Applicant: **Chakriya Goatcher**, Aliso Viejo, CA (US)
- (72) Inventor: **Chakriya Goatcher**, Aliso Viejo, CA (US)
- (*) Notice: This patent is subject to a terminal disclaimer.
- (**) Term: **15 Years**
- (21) Appl. No.: **29/681,575**
- (22) Filed: **Feb. 26, 2019**
- (51) **LOC (13) Cl.** **12-16**
- (52) **U.S. Cl.**
USPC **D12/425**
- (58) **Field of Classification Search**
USPC D12/425, 400, 406, 415-420, 424, 426
CPC B63B 25/00; B63B 7/085; B63B 35/00;
B63B 17/00; B60R 16/04
See application file for complete search history.

FIG. 1 is a right side view of the organizer with three compartments having a cooler bag and straps, the organizer in an open condition showing my new design.
 FIG. 2 a left side view thereof.
 FIG. 3 is a top view thereof, wherein the cooler bag in the center compartment is closed.
 FIG. 4 is a top view thereof, wherein the cooler bag in the center compartment is open.
 FIG. 5 is a side view thereof, wherein the organizer is collapsed to two compartments with the center compartment collapsed.
 FIG. 6 is a top view thereof, wherein the organizer is collapsed to two compartments with the center compartment collapsed.
 FIG. 7 is a right side view thereof, wherein the organizer is collapsed to two compartments with the right compartment collapsed.
 FIG. 8 is a top view thereof, wherein the organizer is collapsed to two compartments with the right compartment collapsed.
 FIG. 9 is a right side view thereof, wherein the organizer is collapsed to two compartments with the left compartment collapsed.
 FIG. 10 is a top view thereof, wherein the organizer is collapsed to two compartments with the left compartment collapsed.
 FIG. 11 is a right side view thereof, wherein the organizer is collapsed to two compartments with the left compartment and the right compartment collapsed.
 FIG. 12 is a top view thereof, wherein the organizer is collapsed to two compartments with the left compartment and the right compartment collapsed.
 FIG. 13 is a perspective view of the organizer, wherein the organizer is in a fully closed and collapsed state.
 FIG. 14 is a front view thereof.
 FIG. 15 is a rear view thereof.
 FIG. 16 is a right side view thereof.
 FIG. 17 is a left side view thereof.
 FIG. 18 is a top view thereof; and,
 FIG. 19 is a bottom view thereof.

(56) **References Cited**

U.S. PATENT DOCUMENTS

- D539,036 S * 3/2007 Potts D12/425
- D659,632 S * 5/2012 Jordan D12/414.1
- D784,908 S * 4/2017 Kalchuri D12/416

(Continued)

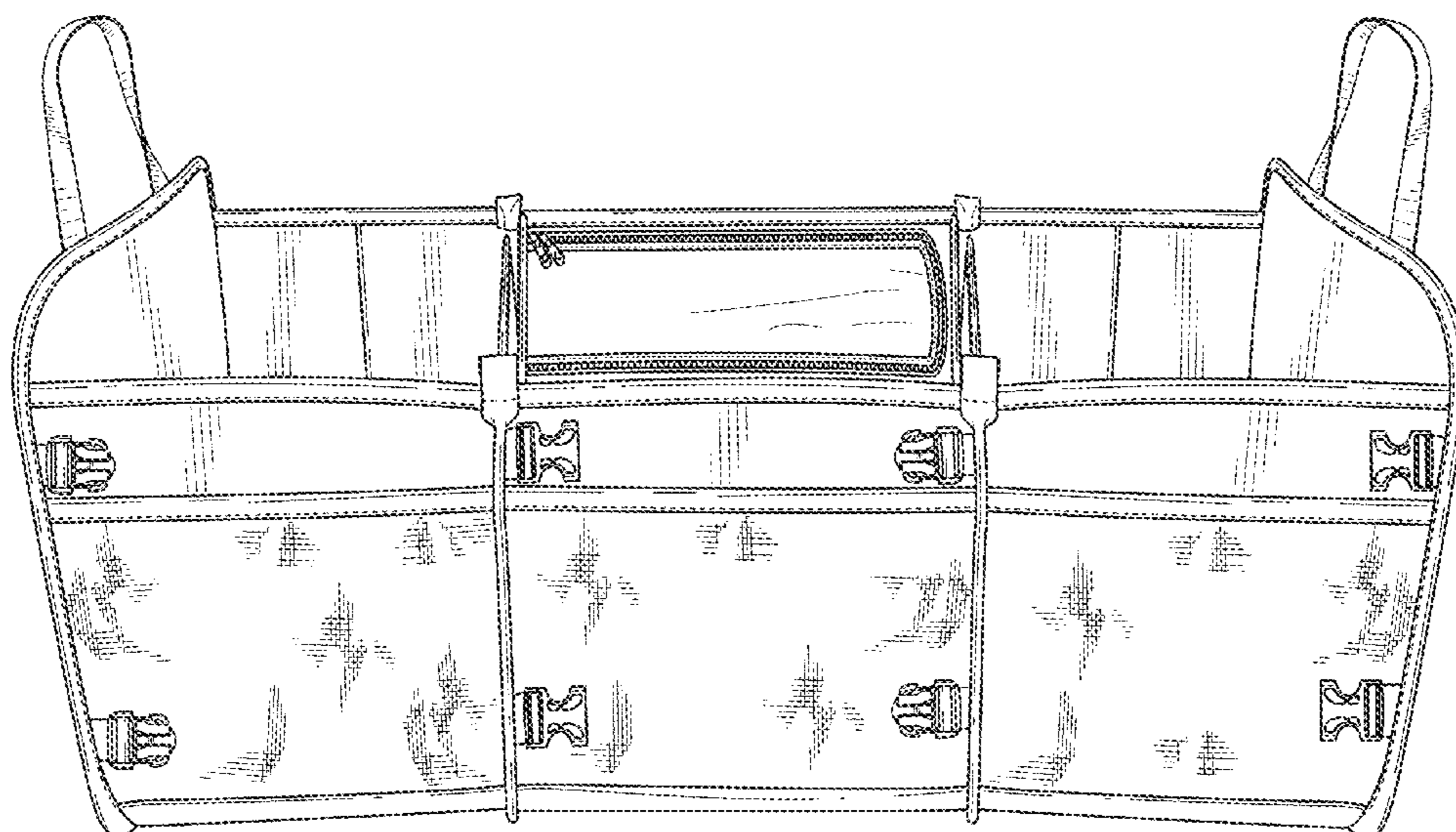
Primary Examiner — Katrina A Betton

(74) *Attorney, Agent, or Firm* — Crockett & Crockett, PC; K. David Crockett, Esq.; Niky Economy Syrengelas, Esq.

(57) **CLAIM**

The ornamental design for a collapsible car trunk grocery organizer with cooler bag, as shown and described.

1 Claim, 17 Drawing Sheets



(56)

References Cited

U.S. PATENT DOCUMENTS

D821,959 S *	7/2018	Baker	D12/425
D823,231 S *	7/2018	Yancey	D12/415
D875,644 S *	2/2020	Goatcher	D12/425
D916,647 S *	4/2021	Chen	D12/425
D919,553 S *	5/2021	Pribicevich	D12/425
D922,935 S *	6/2021	Guo	D12/425
2010/0170896 A1 *	7/2010	Truong	B60R 7/02 220/6
2012/0169037 A1 *	7/2012	White, III	A45C 13/02 281/45
2014/0054345 A1 *	2/2014	Thom	B60R 7/02 224/542

* cited by examiner

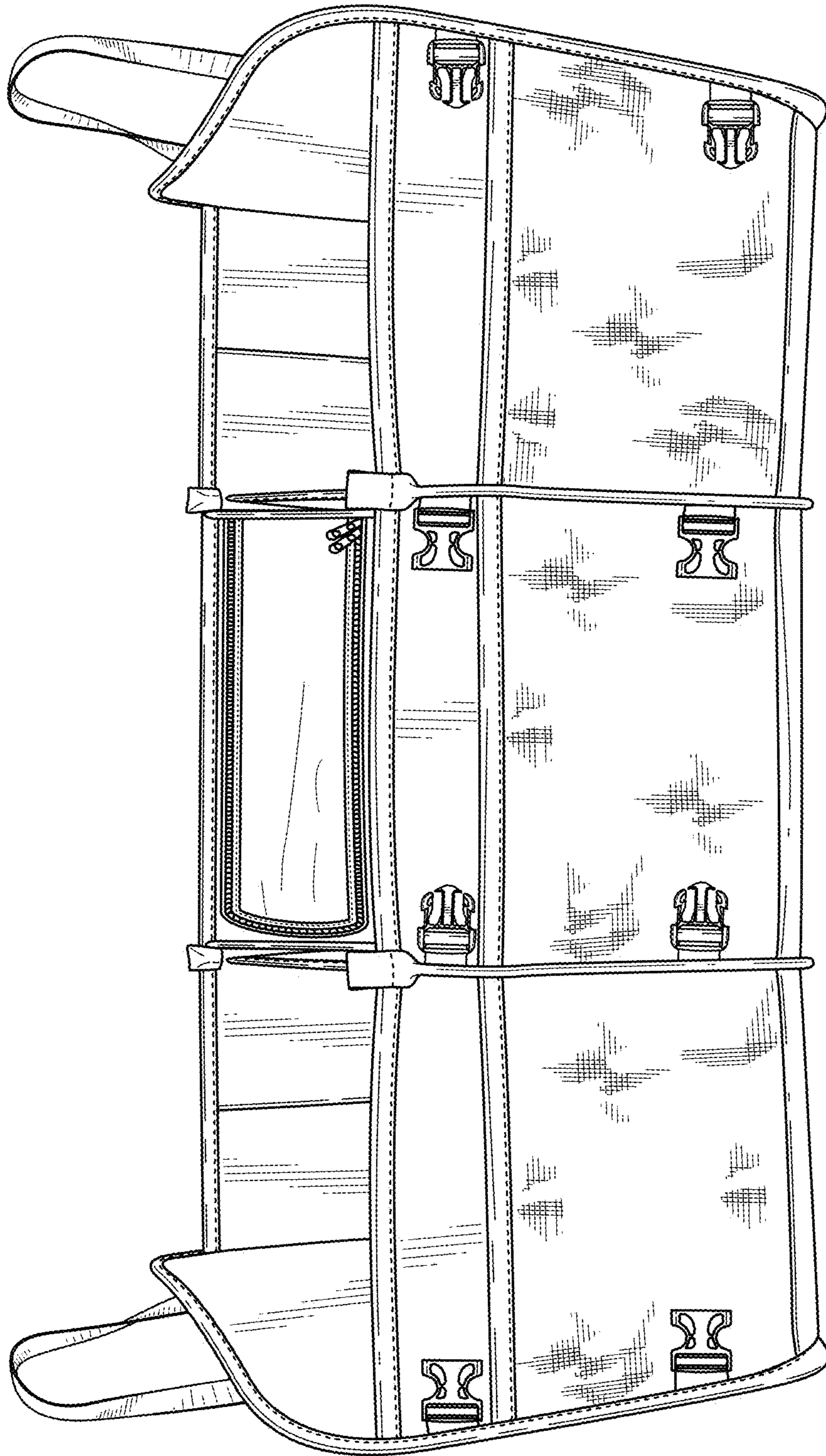


FIG. 1

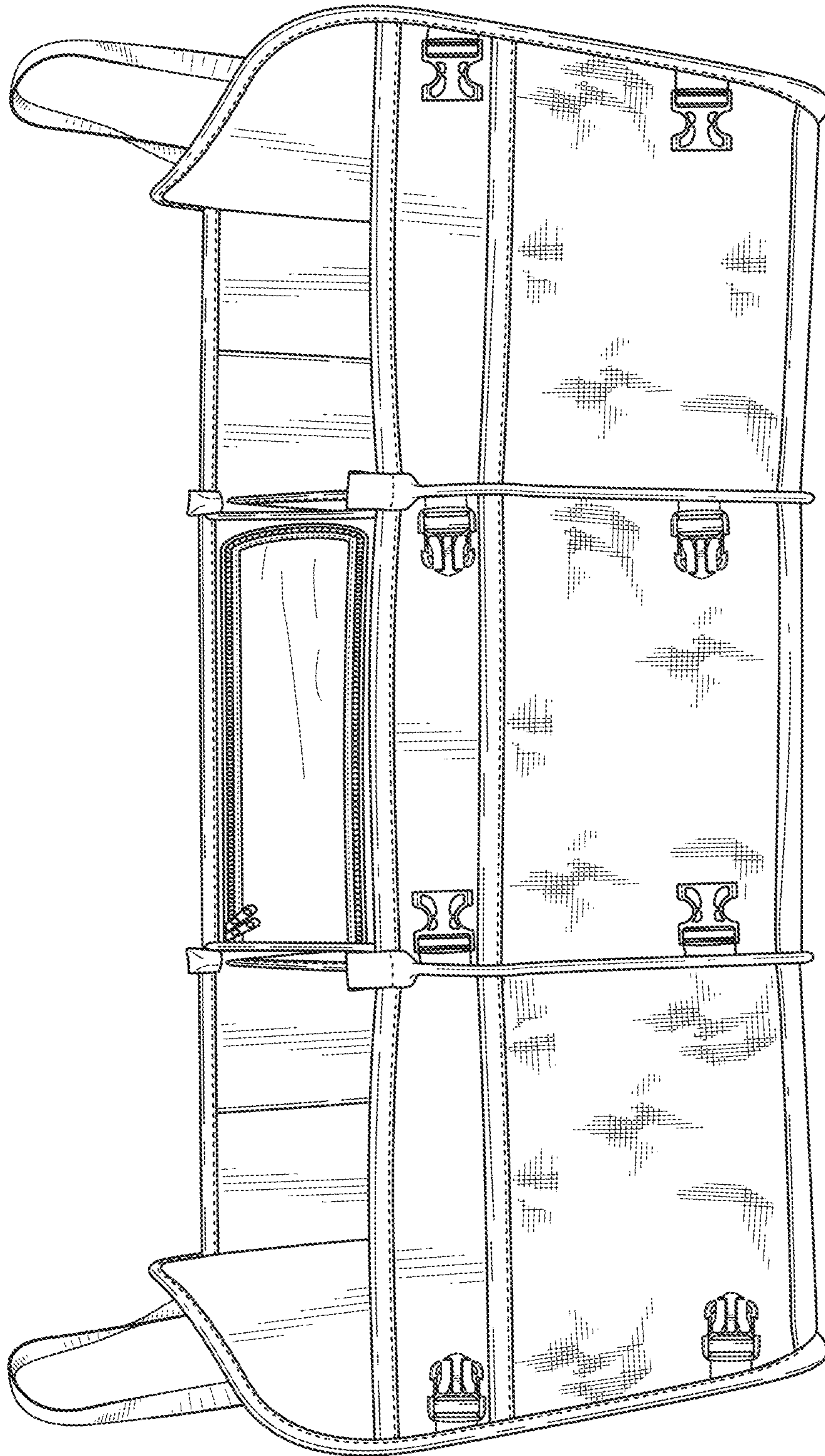


FIG. 2

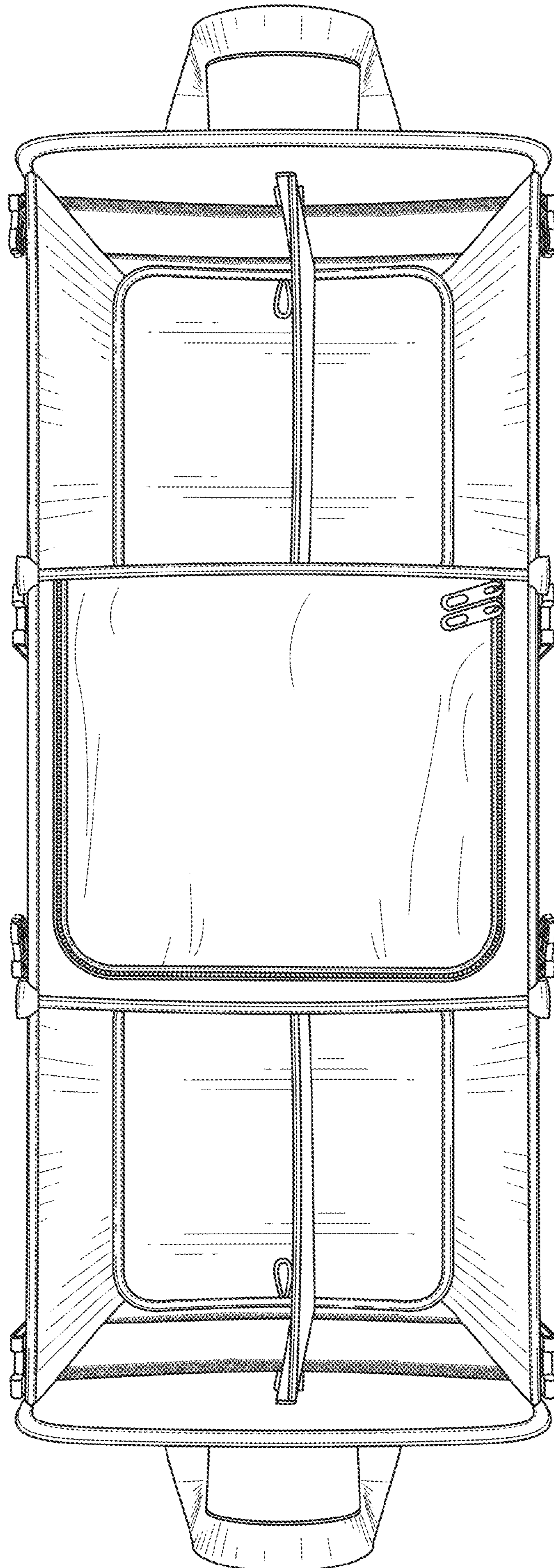


FIG. 3

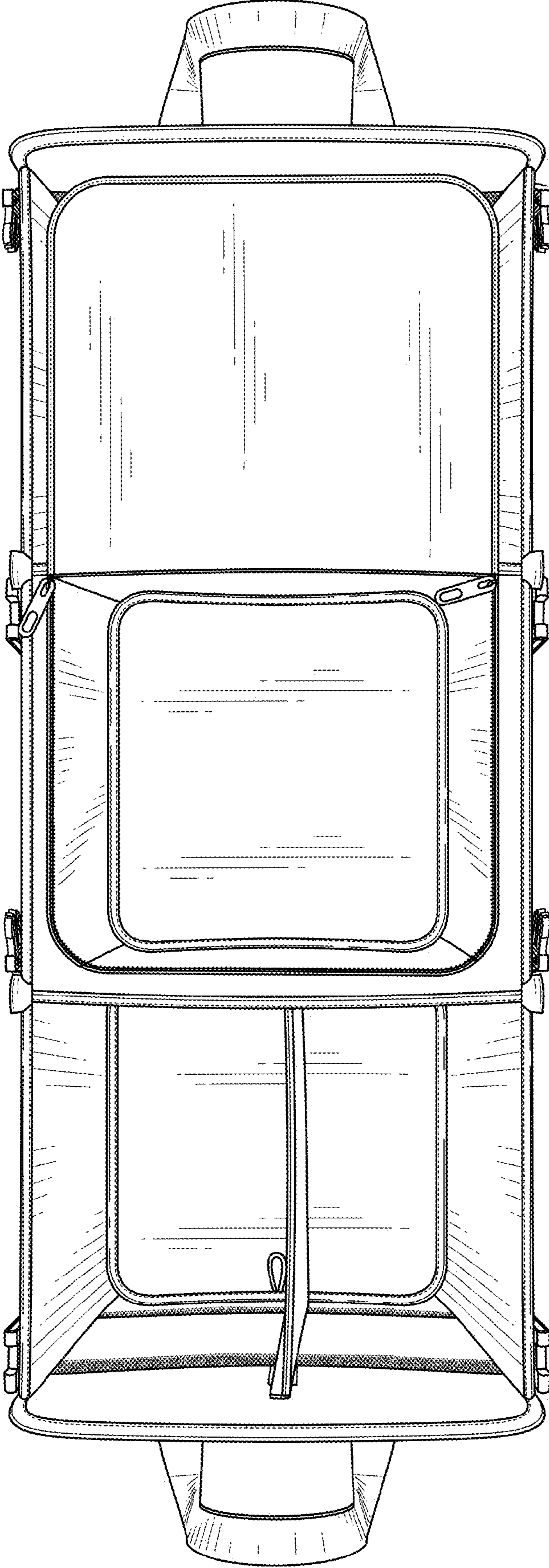


FIG. 4

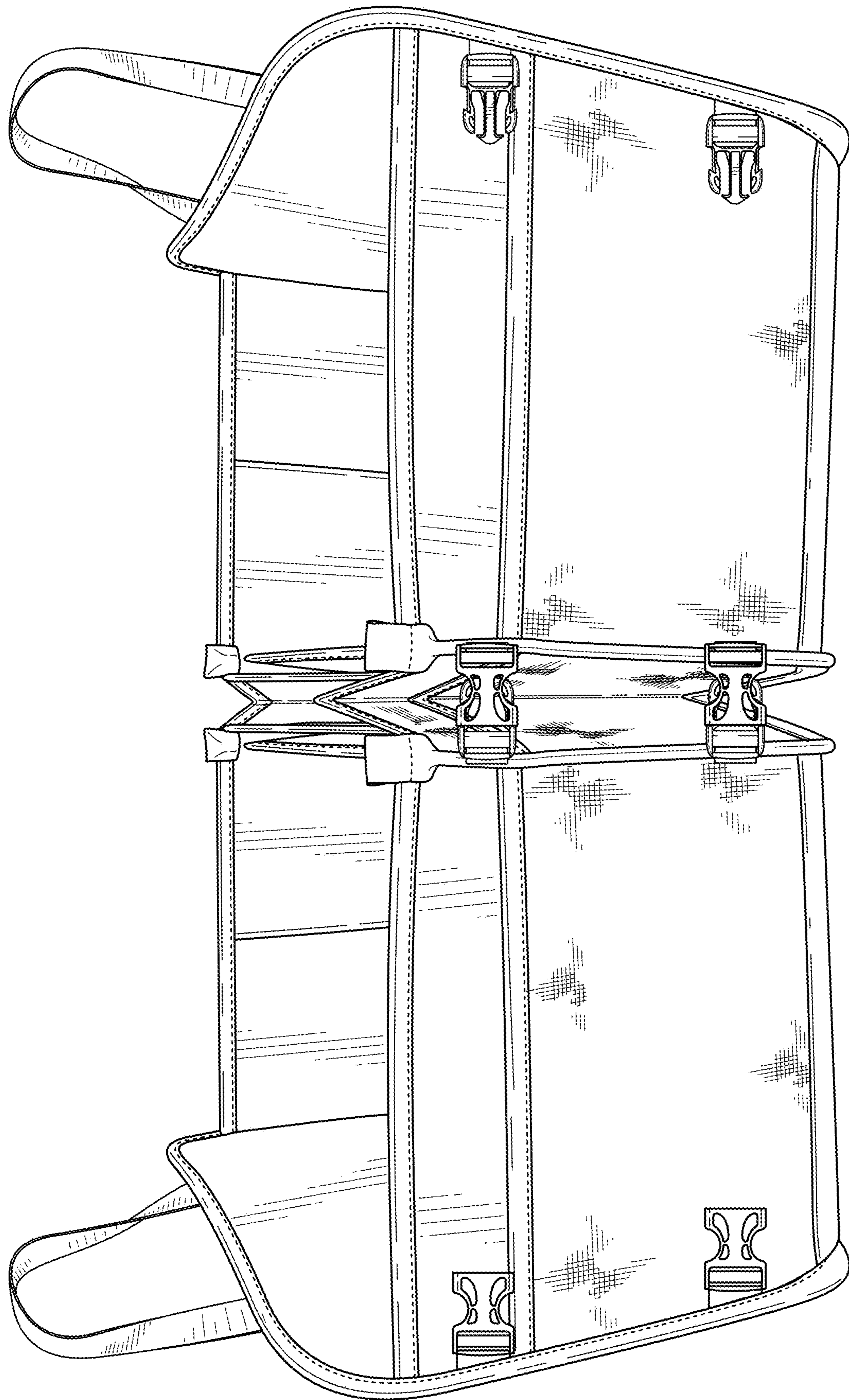


FIG. 5

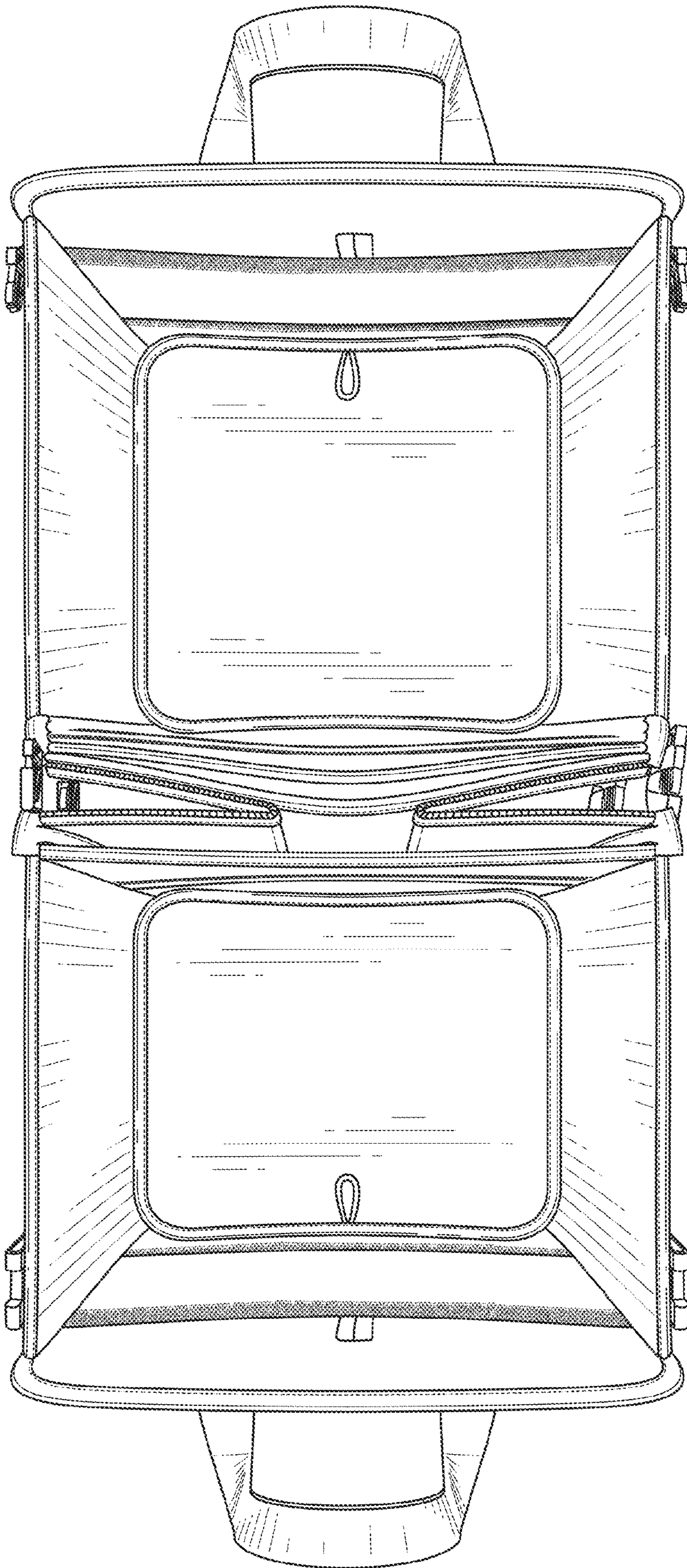


FIG. 6



FIG. 7

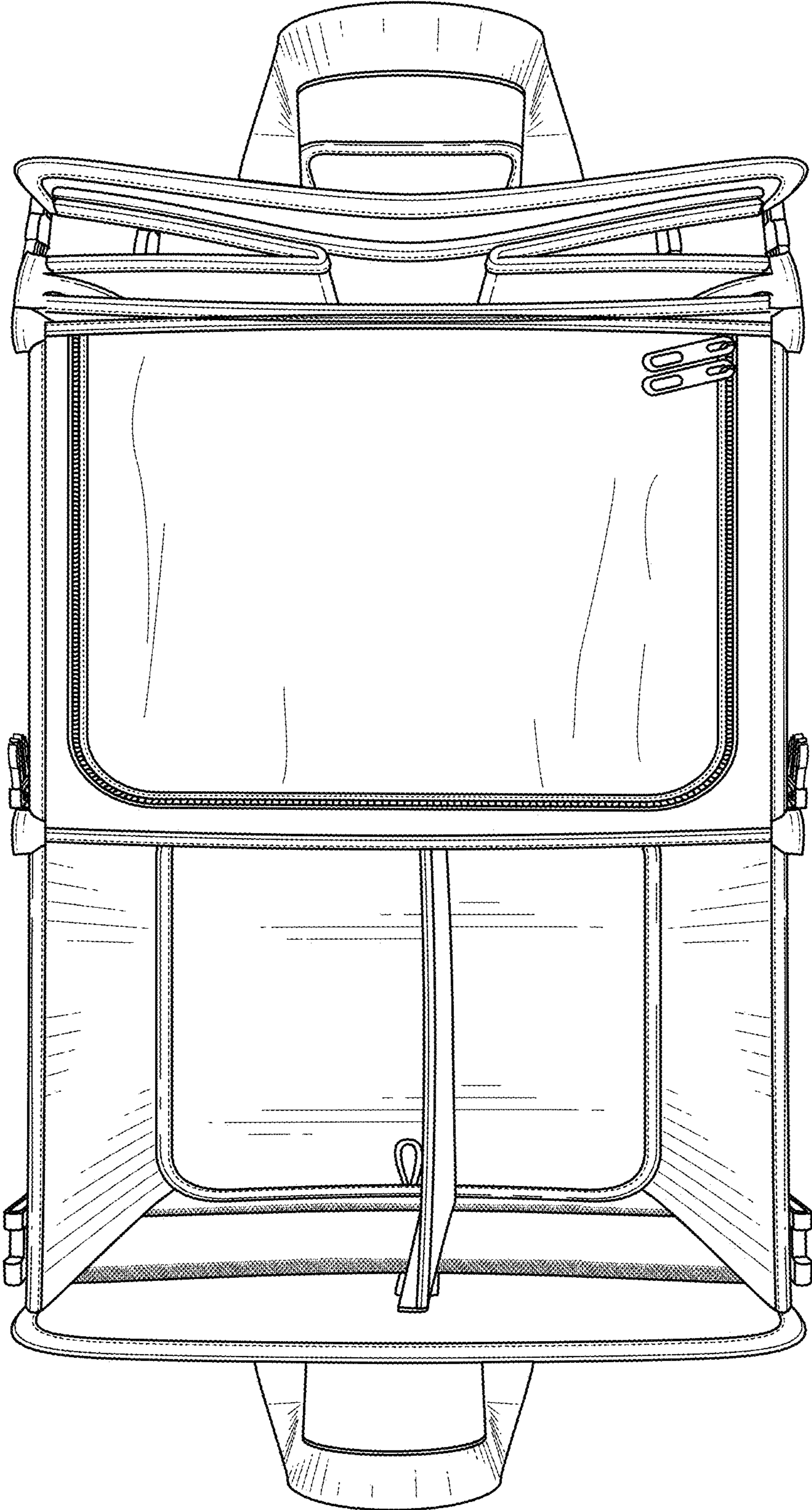


FIG. 8

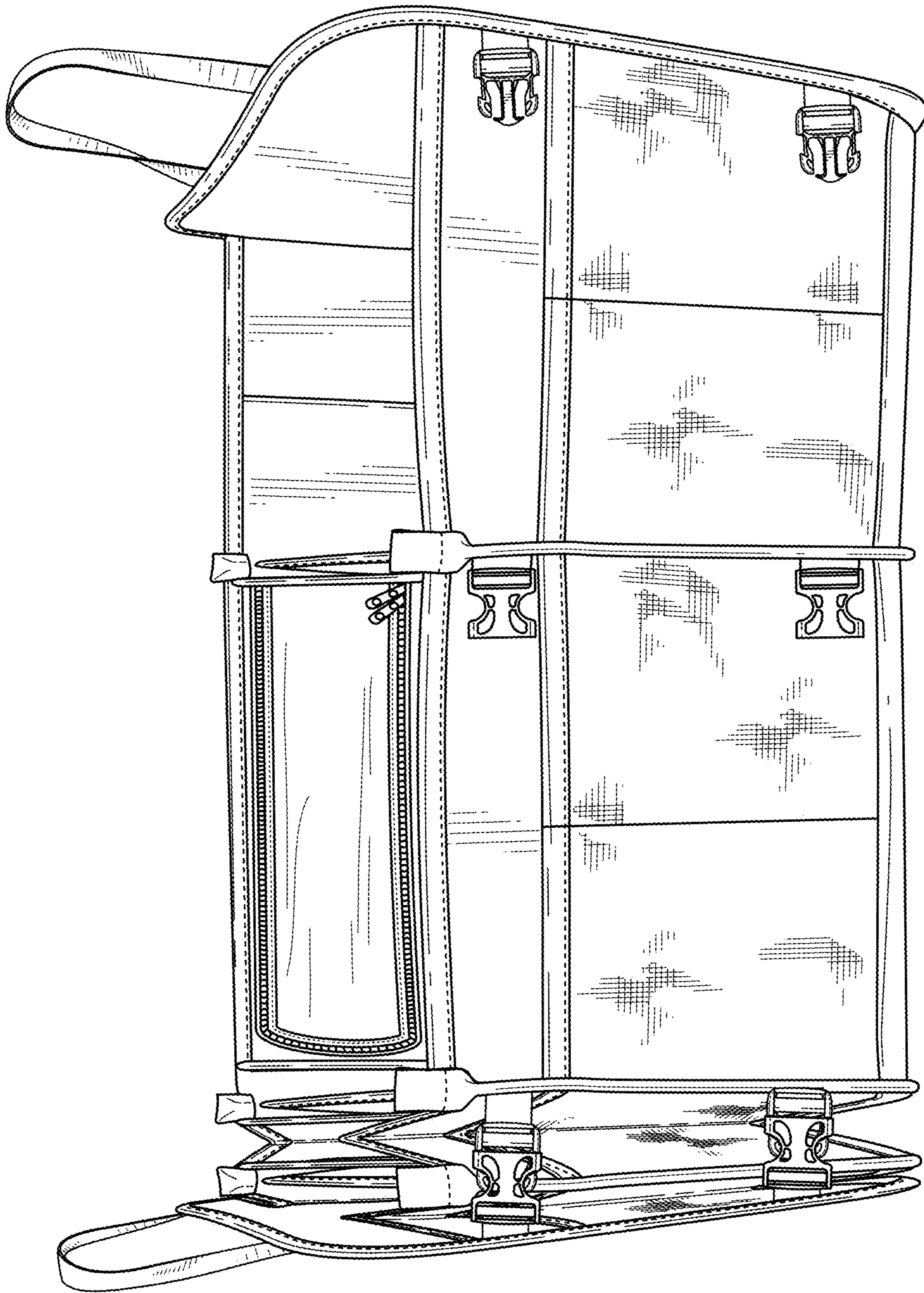


FIG. 9

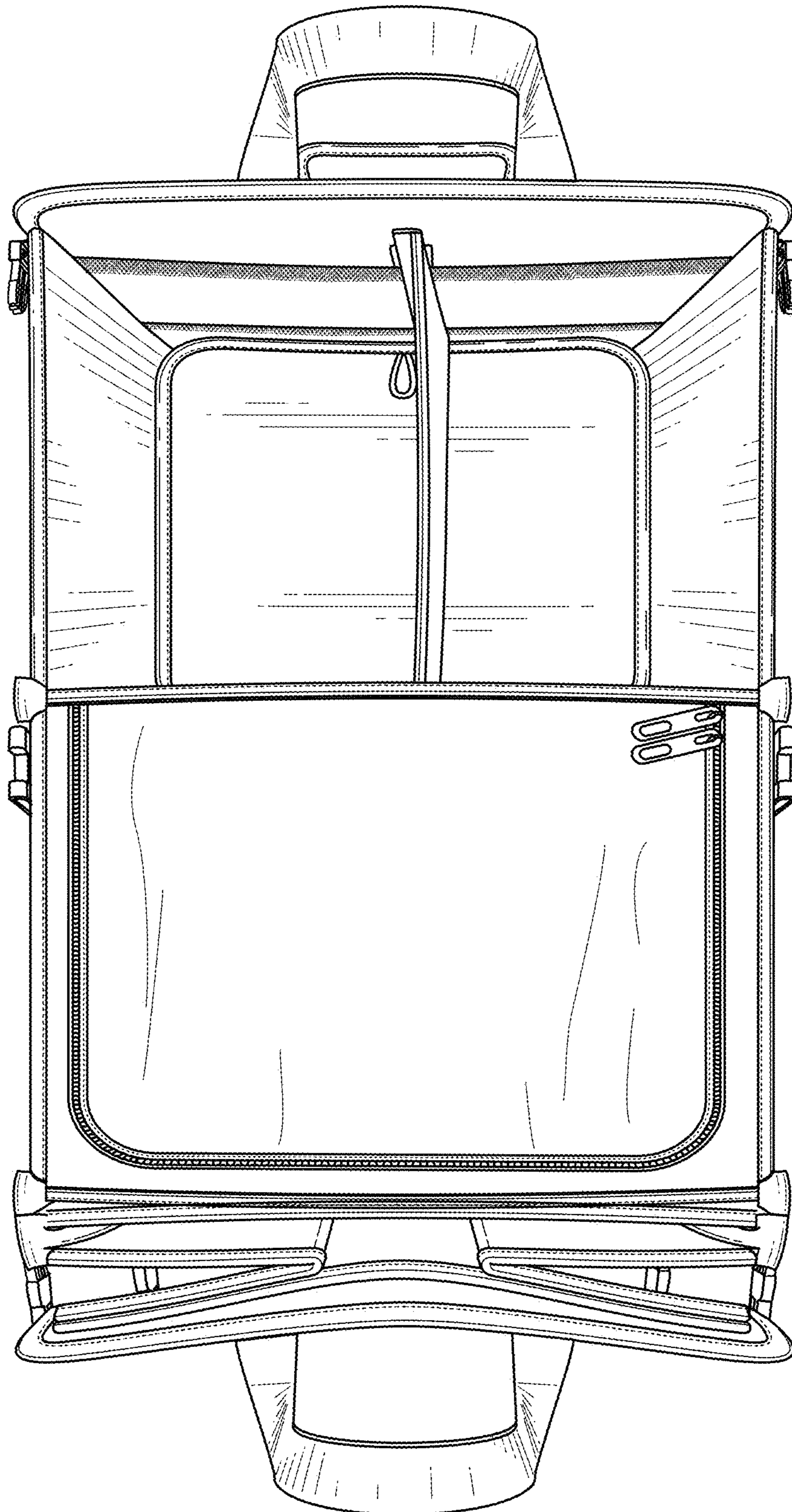


FIG. 10

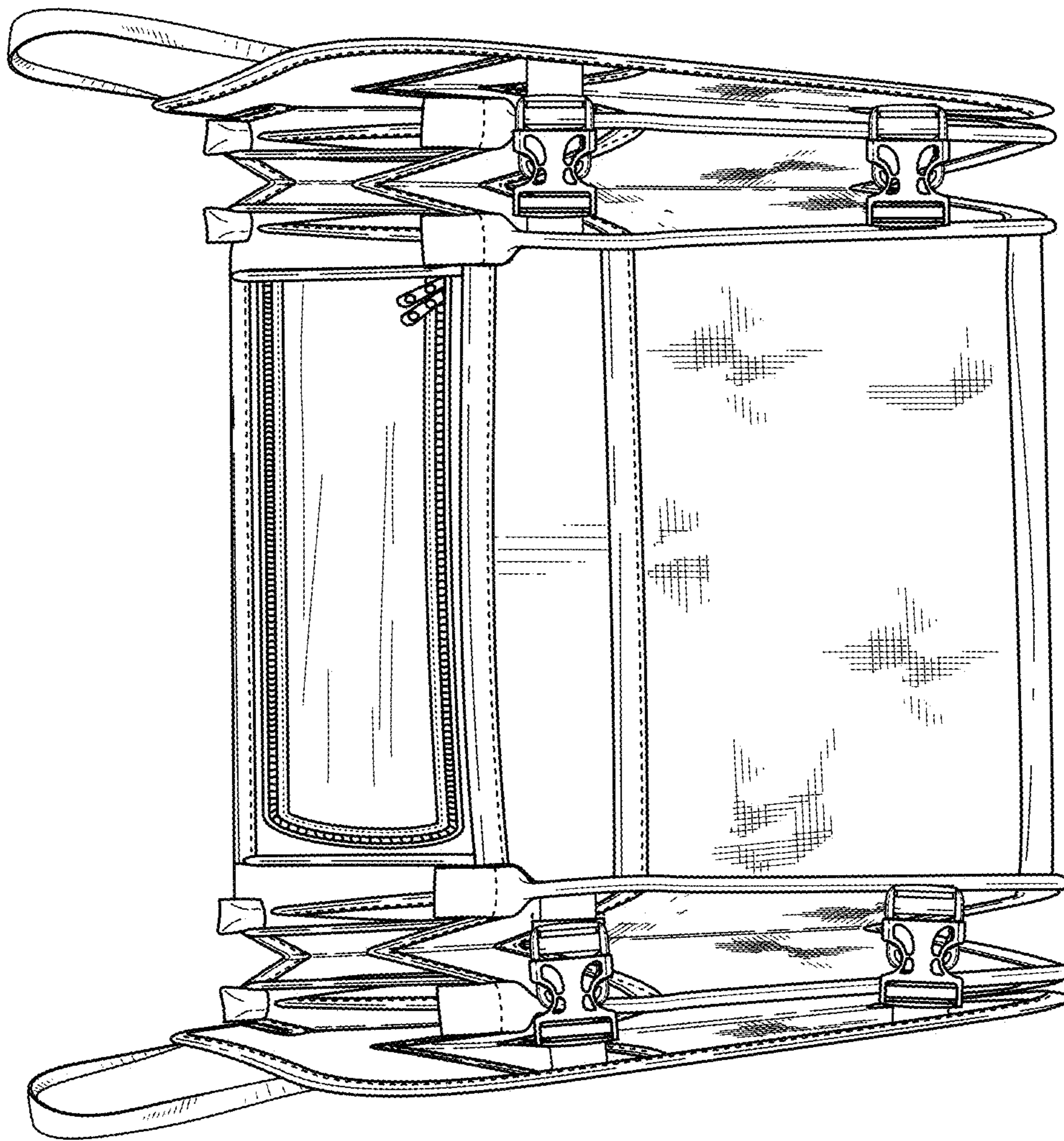


FIG. 11

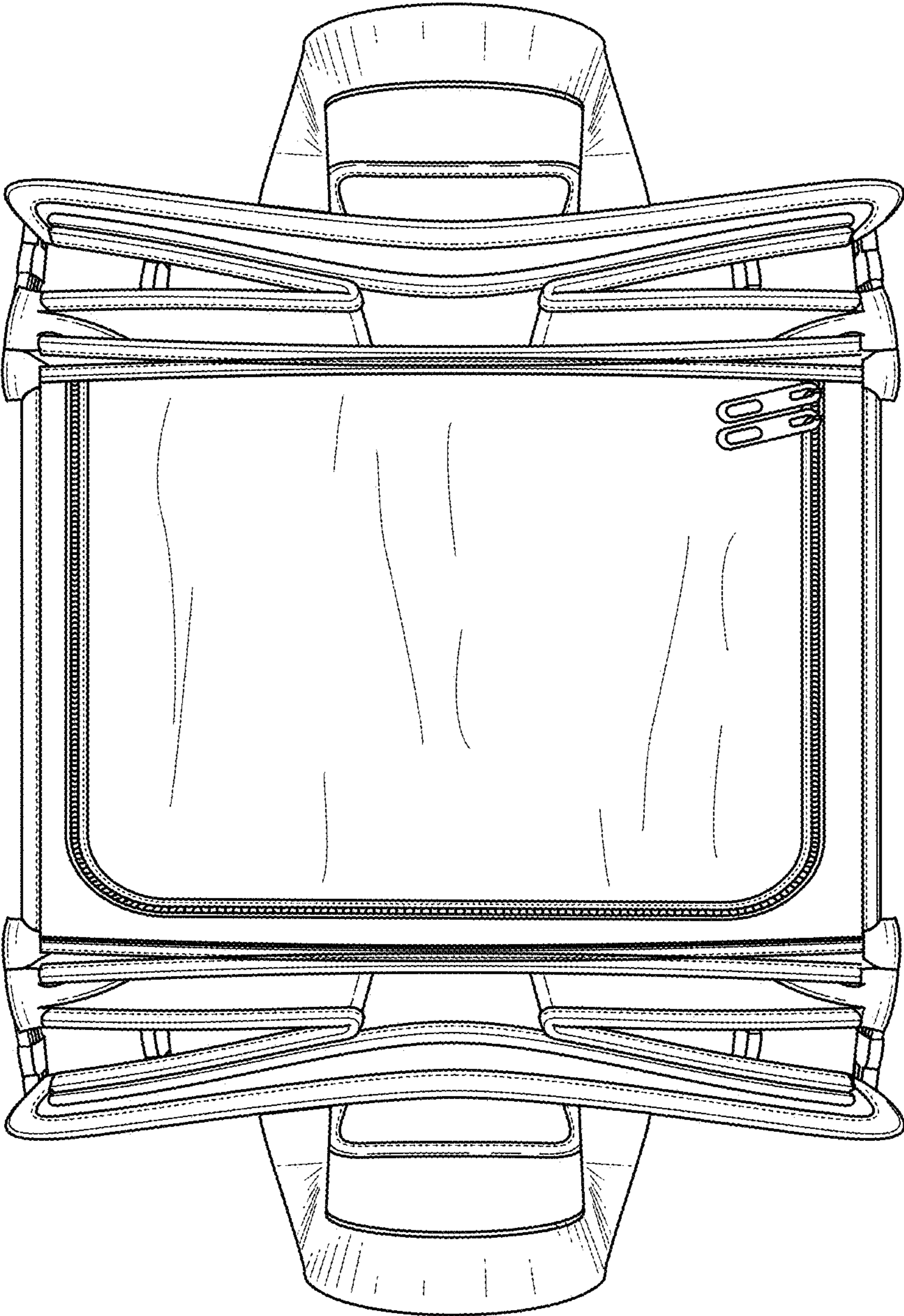


FIG. 12

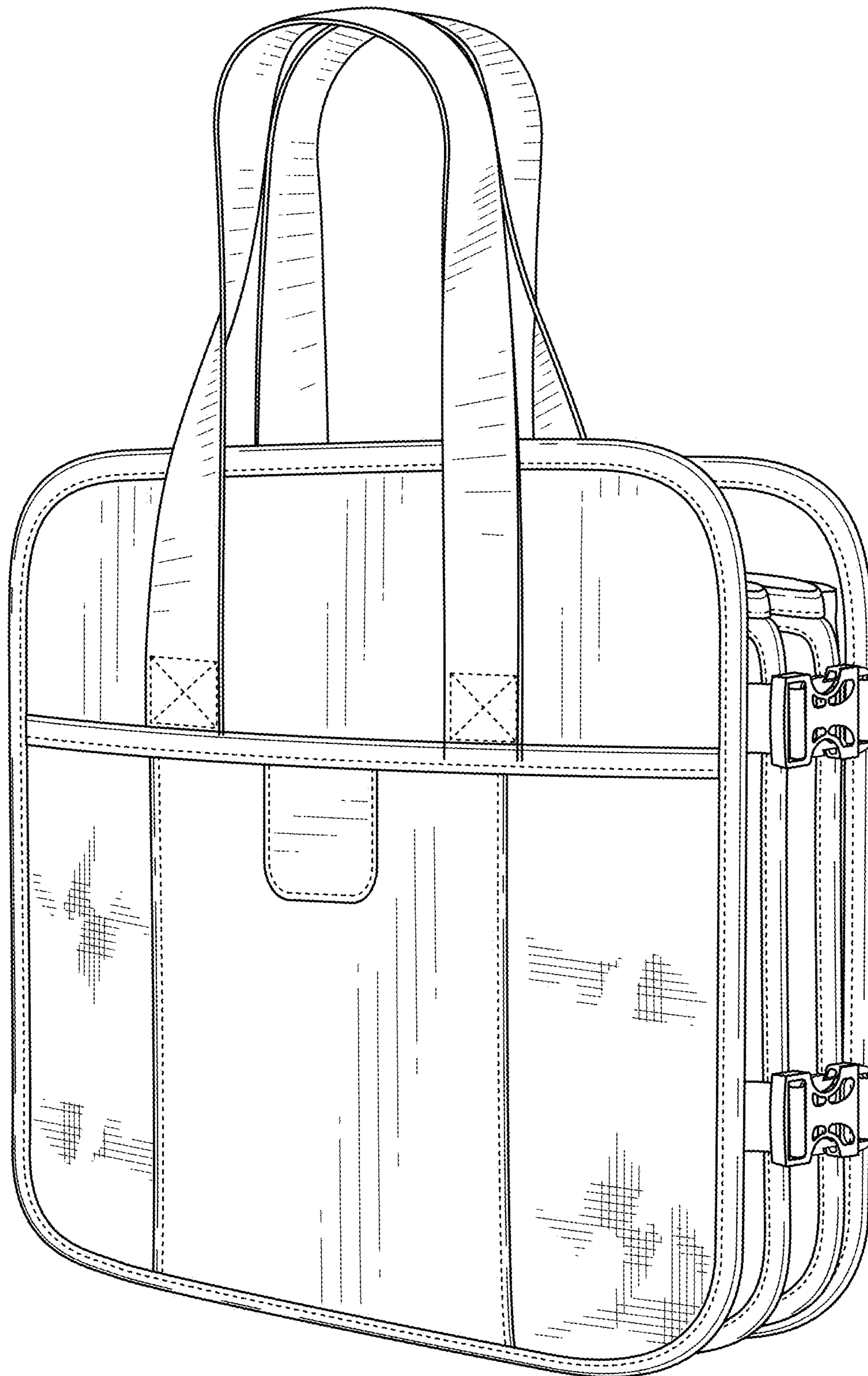


FIG. 13

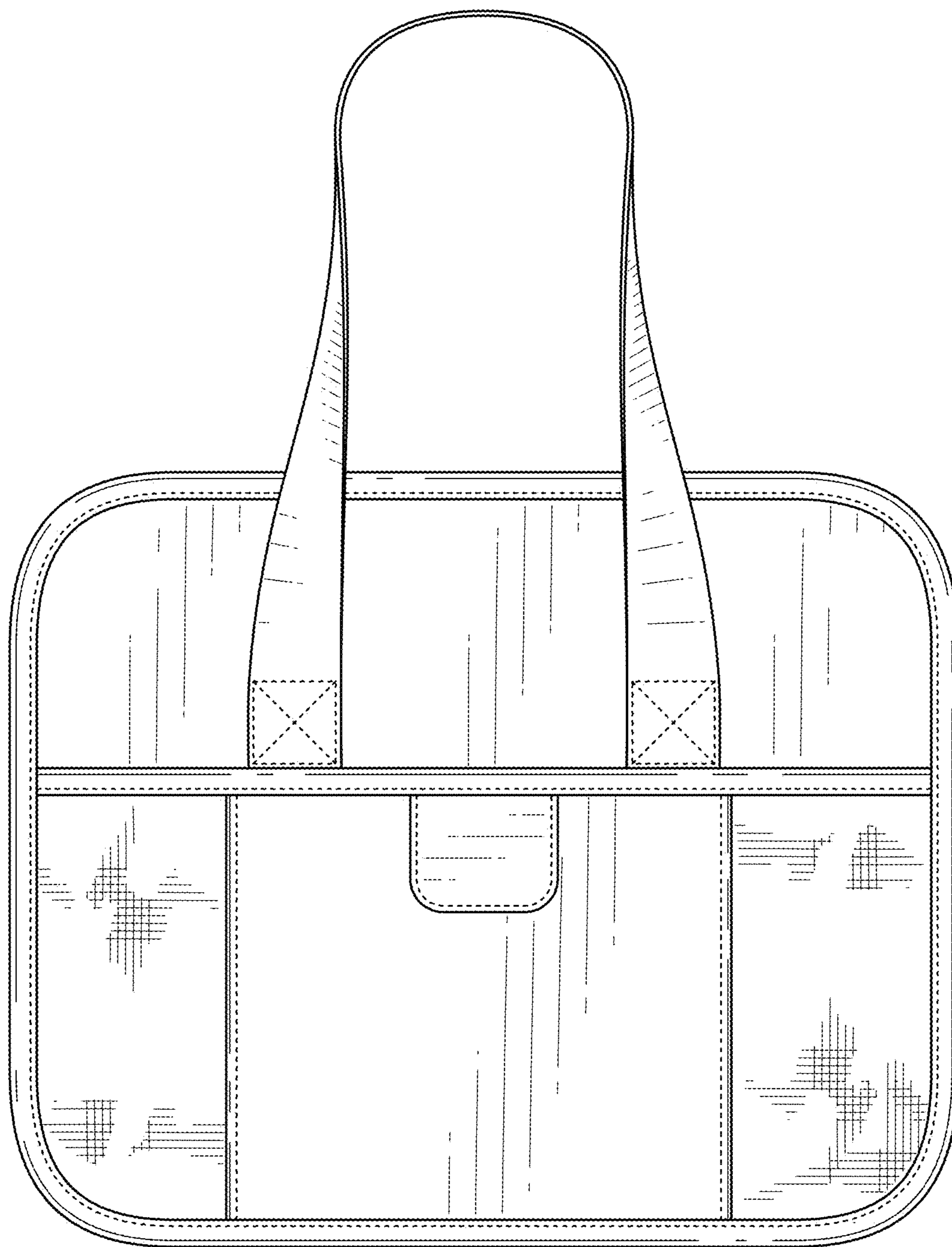


FIG. 14

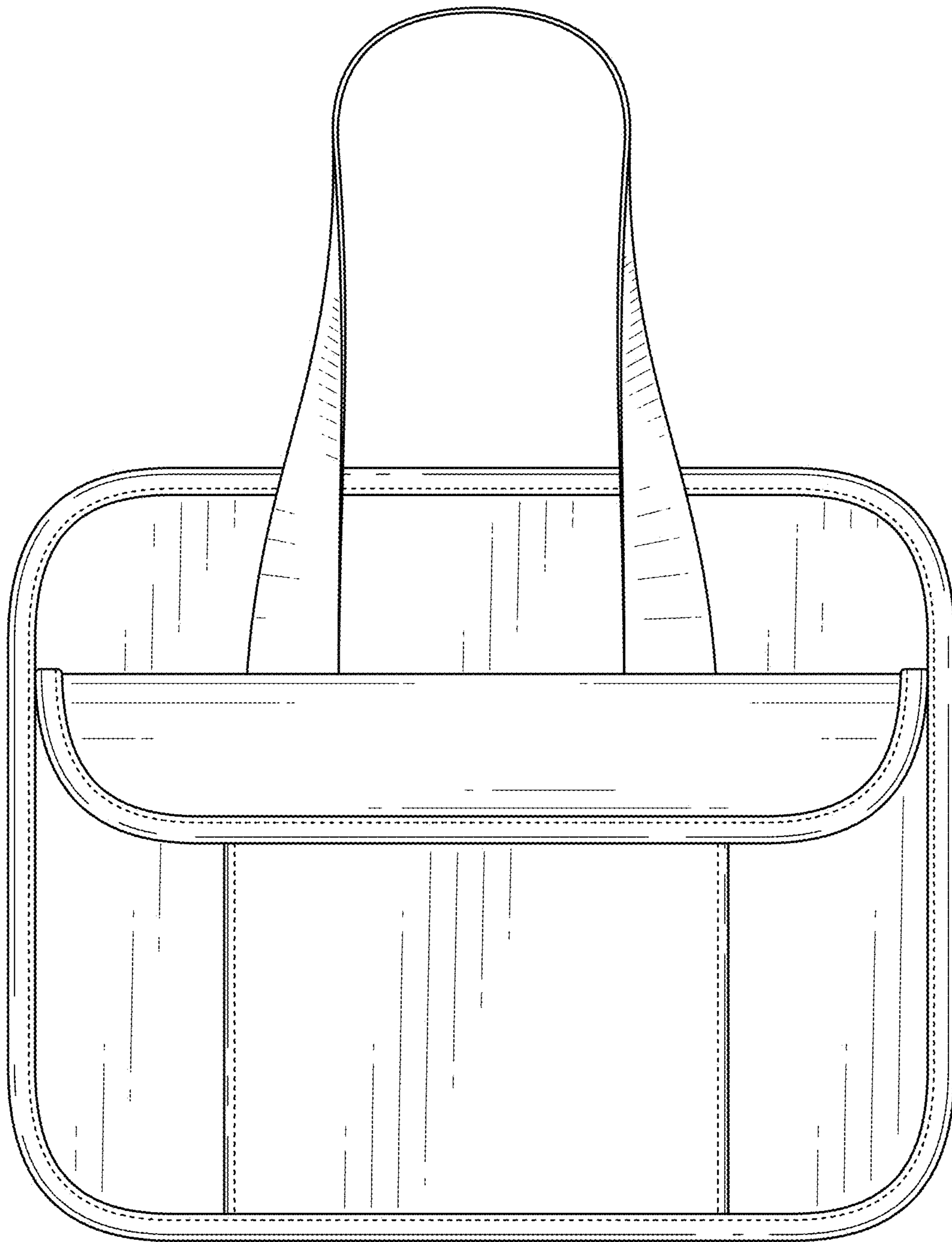


FIG. 15

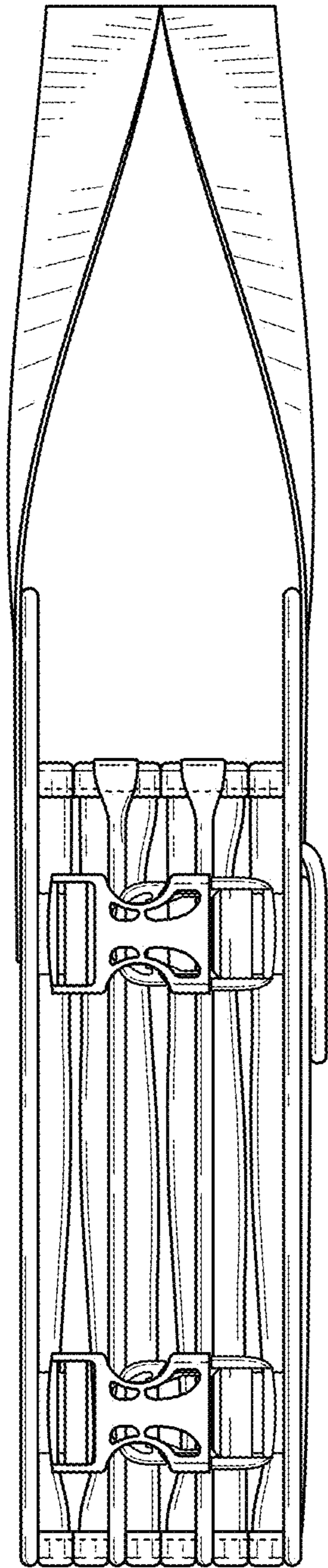


FIG. 16

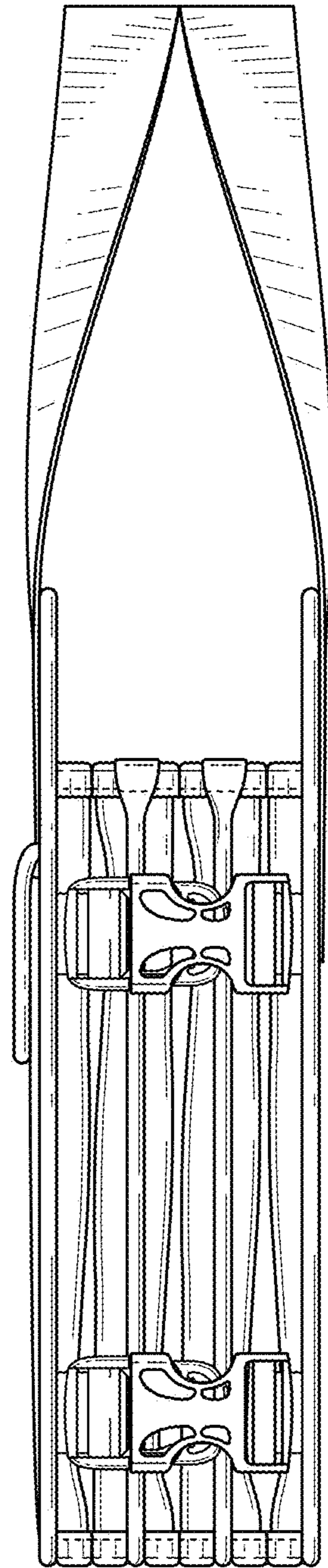


FIG. 17

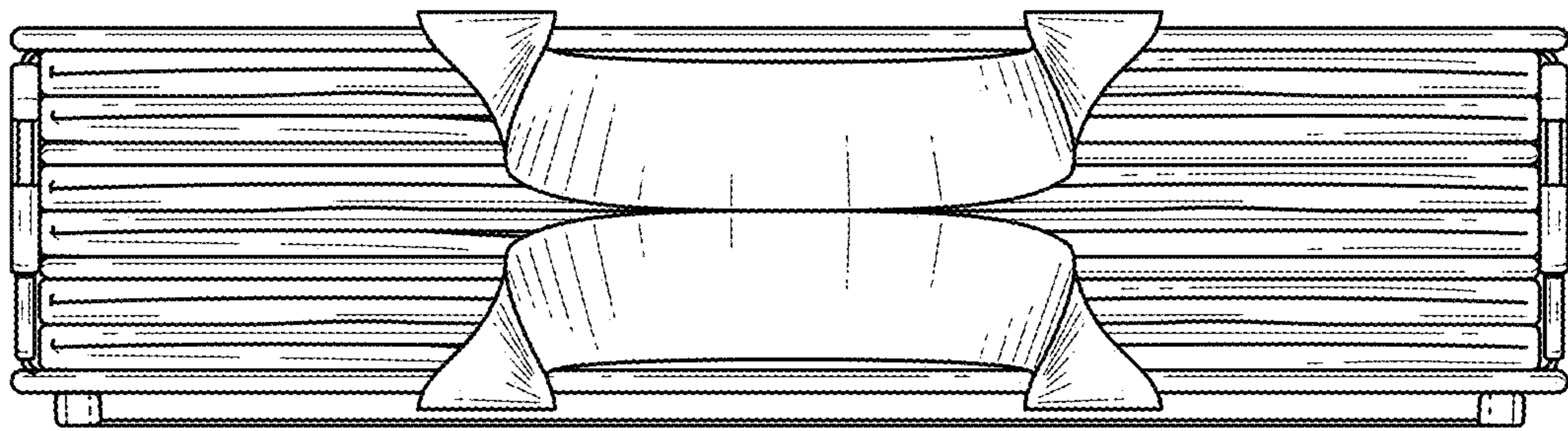


FIG. 18

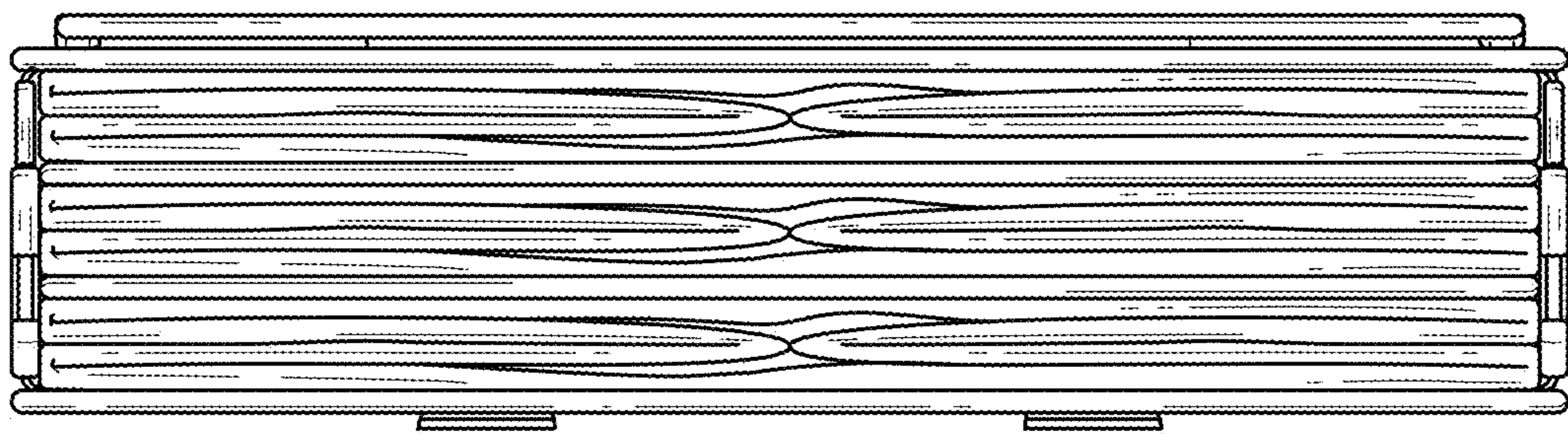


FIG. 19