

US00D942926S

(12) **United States Design Patent**
Deng

(10) **Patent No.:** **US D942,926 S**

(45) **Date of Patent:** **** Feb. 8, 2022**

(54) **CAR HEADREST PHONE AND TABLET MOUNT**

(71) Applicant: **Xiaoming Deng**, Shenzhen (CN)

(72) Inventor: **Xiaoming Deng**, Shenzhen (CN)

(**) Term: **15 Years**

(21) Appl. No.: **29/737,388**

(22) Filed: **Jun. 9, 2020**

(51) **LOC (13) Cl.** **12-16**

(52) **U.S. Cl.**
USPC **D12/416**

(58) **Field of Classification Search**
USPC D12/415-419, 423; D7/601-602,
D7/605-607; D6/513, 514, 611, 553,
D6/556, 559; D3/216, 217, 319
CPC .. B60R 7/14; B60R 7/08; B65D 33/00; B64D
11/0636; B60N 3/004
See application file for complete search history.

(56) **References Cited**

U.S. PATENT DOCUMENTS

D630,222 S *	1/2011	Lin	D14/447
D690,707 S *	10/2013	Minn	B60R 11/0241
				D14/447
D712,394 S *	9/2014	Booth	D14/253
D726,640 S *	4/2015	Frey	D12/415
D734,242 S *	7/2015	Presman	D12/416
D735,112 S *	7/2015	Deng	D12/415
D757,705 S *	5/2016	Esses	D14/251

D765,581 S *	9/2016	Pumphrey	D12/416
D801,910 S *	11/2017	Salisbury	D12/416
D870,645 S *	12/2019	Yang	D12/416
D905,443 S *	12/2020	Yang	D6/310
D905,446 S *	12/2020	Yang	D6/310
D909,768 S *	2/2021	Li	D6/300

* cited by examiner

Primary Examiner — Katrina A Betton

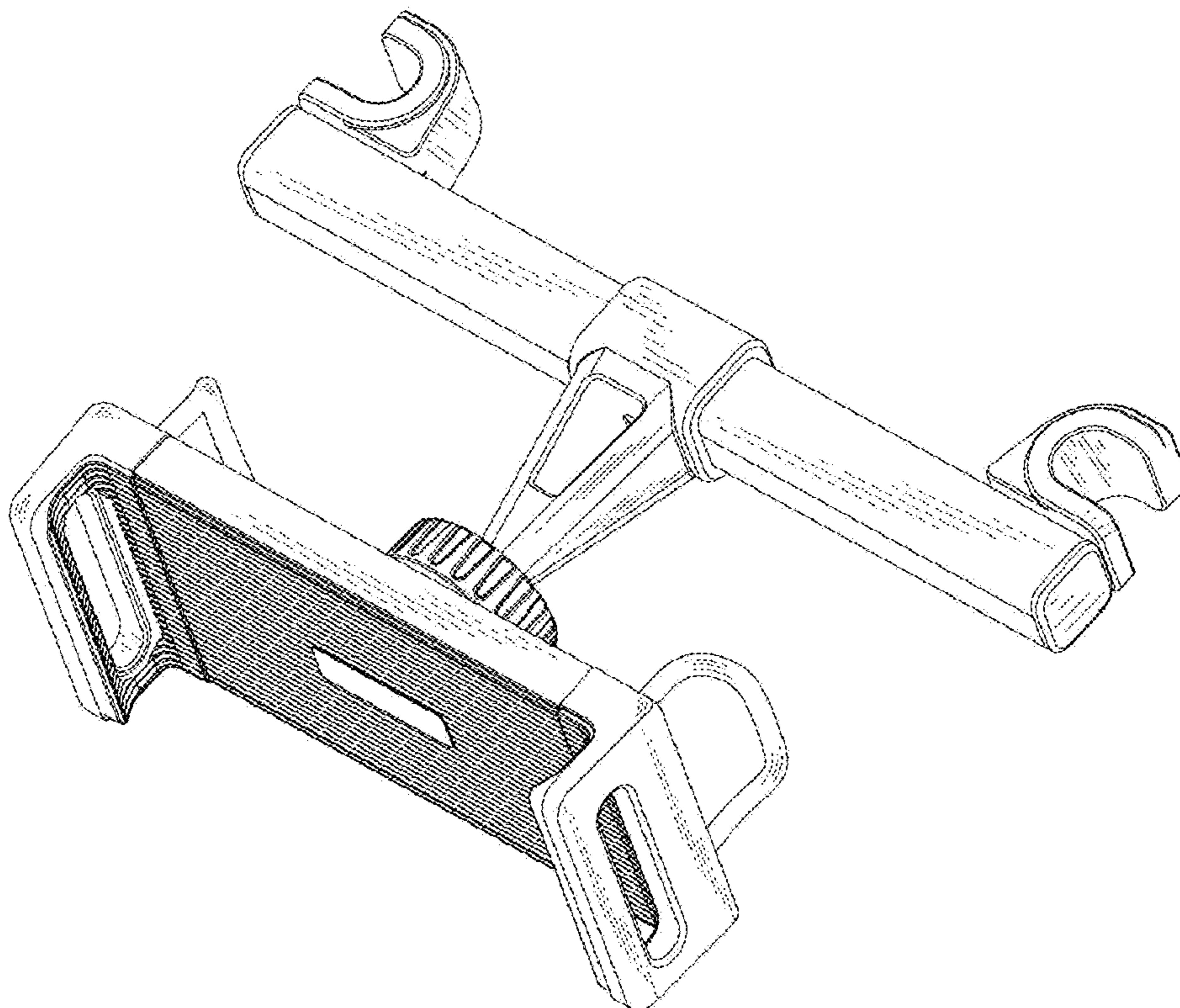
(57) **CLAIM**

The ornamental design for a car headrest phone and tablet mount, as shown and described.

DESCRIPTION

FIG. 1 is a front, top and right side perspective view of a car headrest phone and tablet mount showing my new design; FIG. 2 is a rear and bottom perspective view thereof; FIG. 3 is a front elevation view thereof; FIG. 4 is a rear elevation view thereof; FIG. 5 is a left side elevation view thereof; FIG. 6 is a right side elevation view thereof; FIG. 7 is a top plan view thereof; FIG. 8 is a bottom plan view thereof; FIG. 9 is an enlarged view of the car headrest phone and tablet mount taken from the circle portion in FIG. 3; and, FIG. 10 is another enlarged view of the car headrest phone and tablet mount taken from the circle portion in FIG. 3.

1 Claim, 10 Drawing Sheets



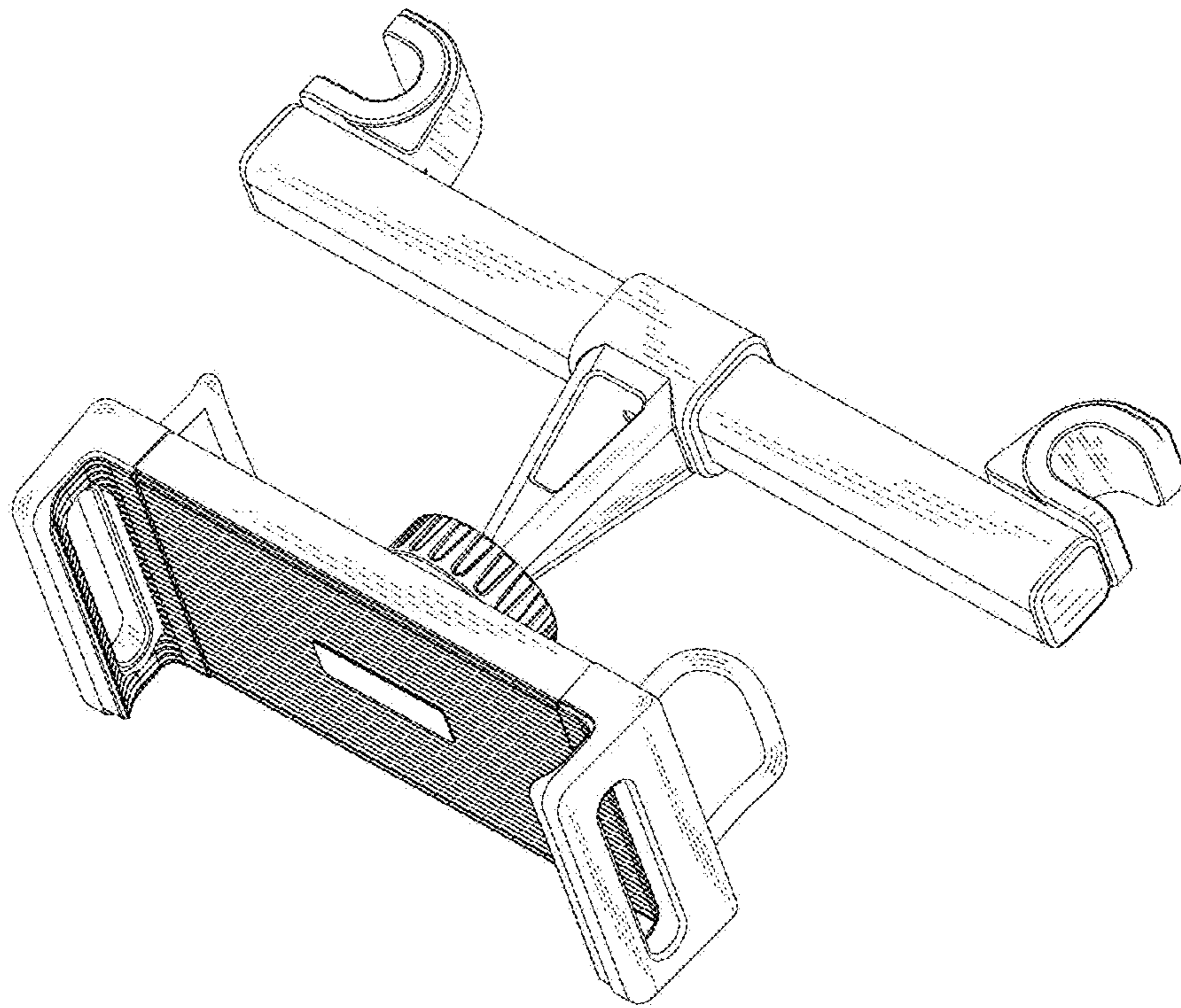


FIG.1

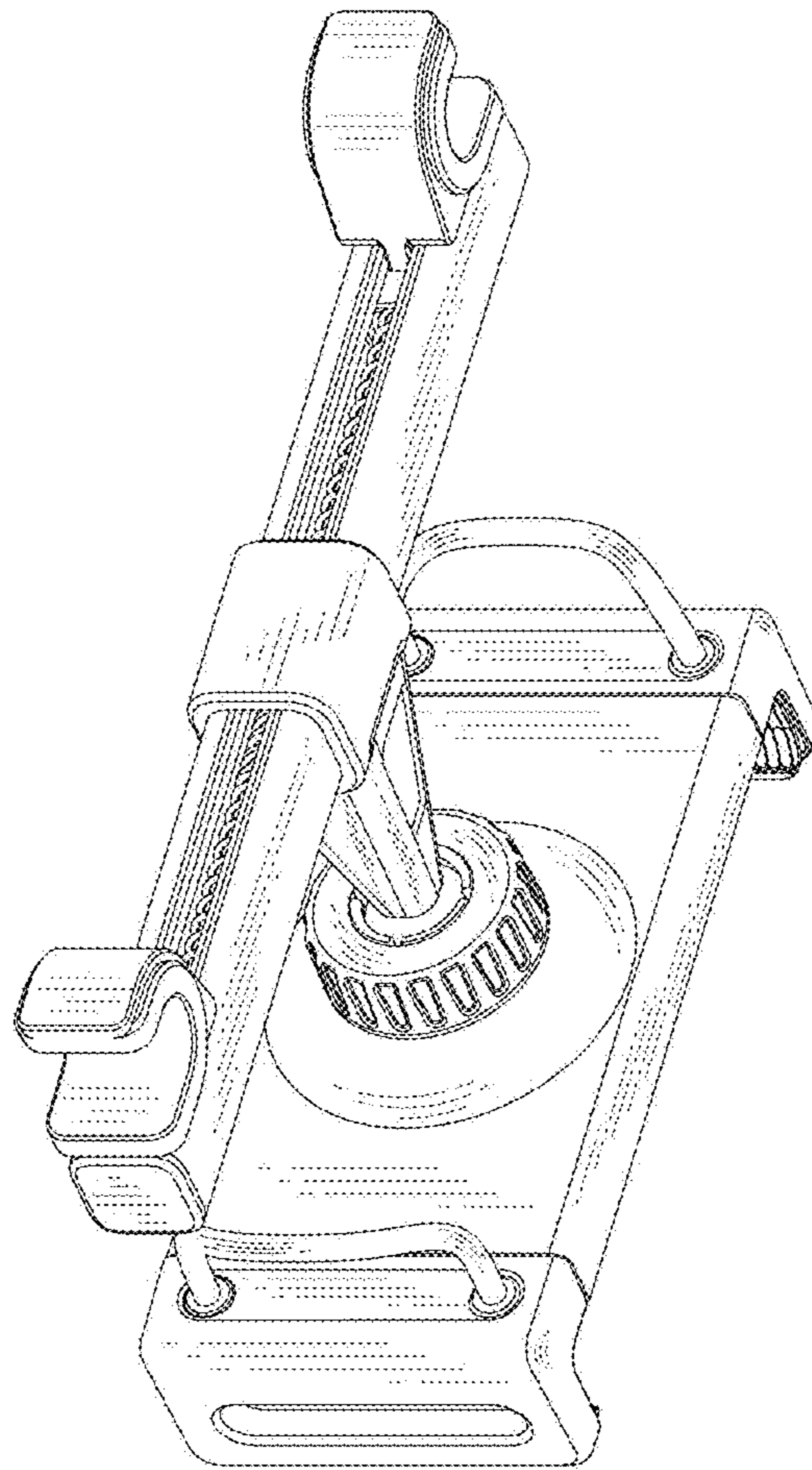


FIG.2

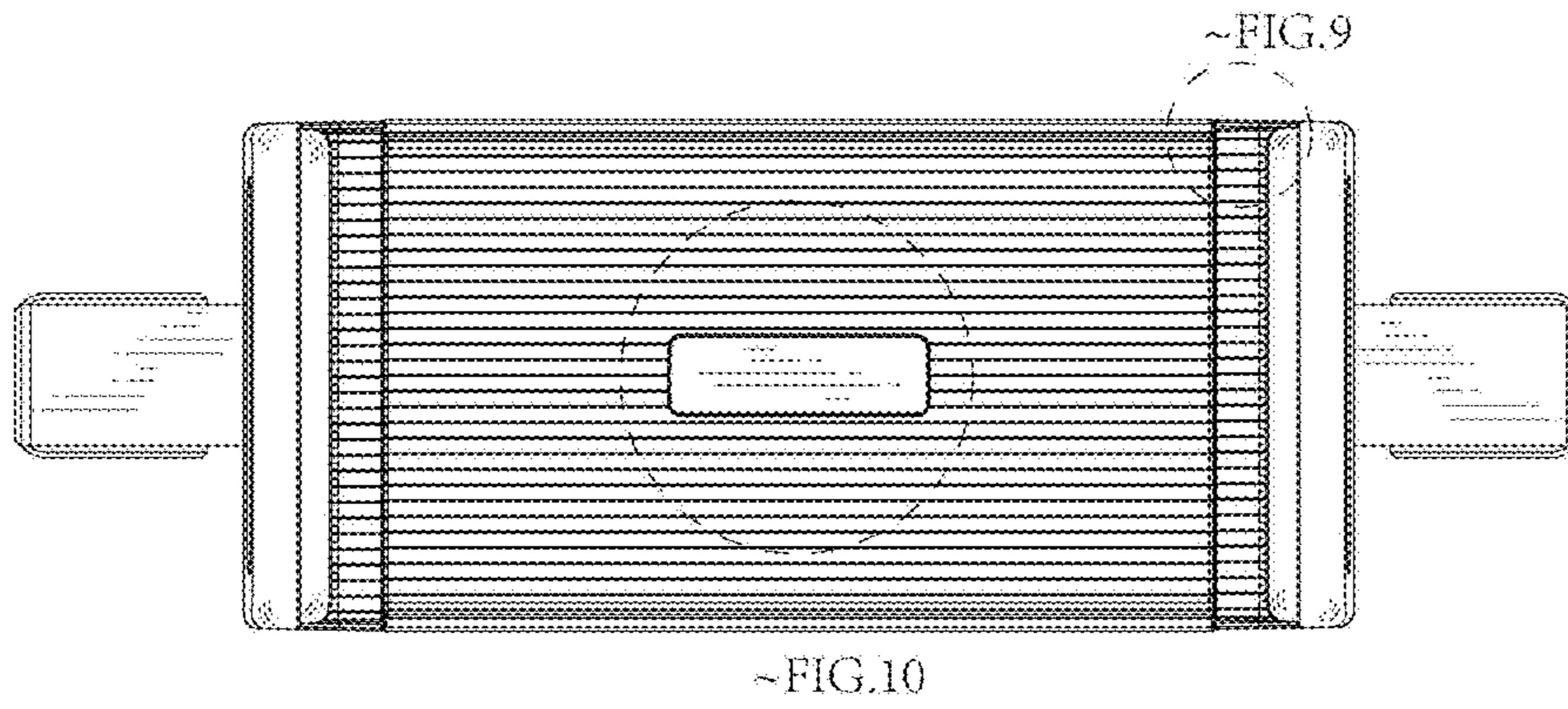


FIG.3

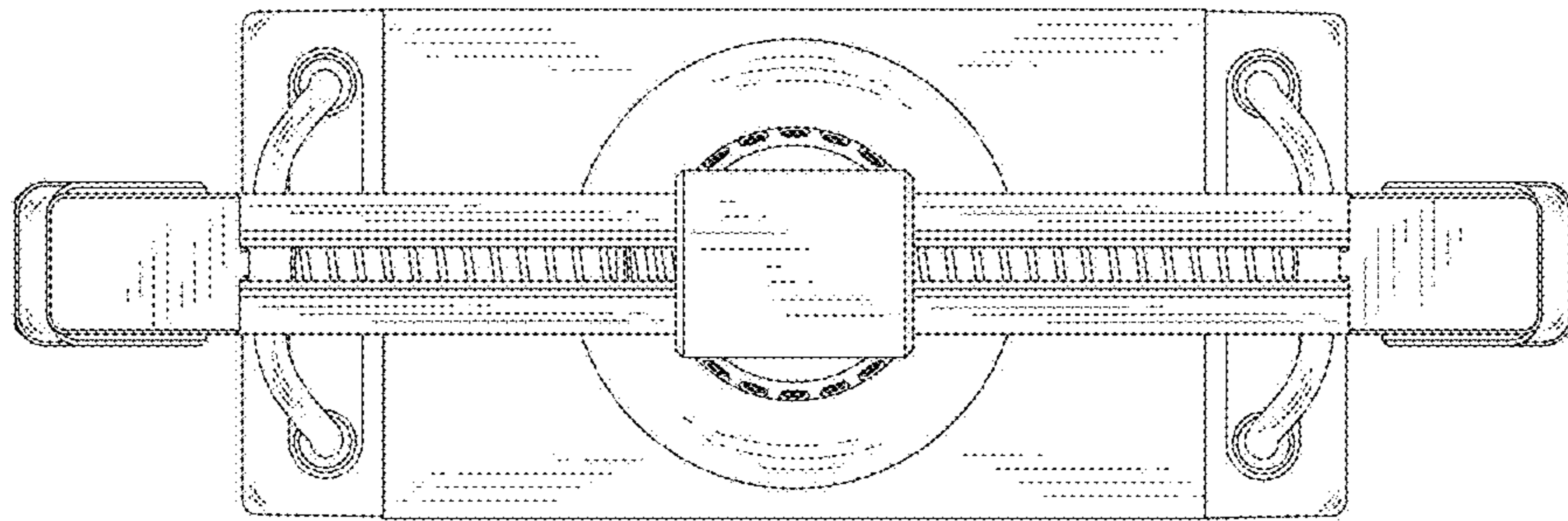


FIG.4

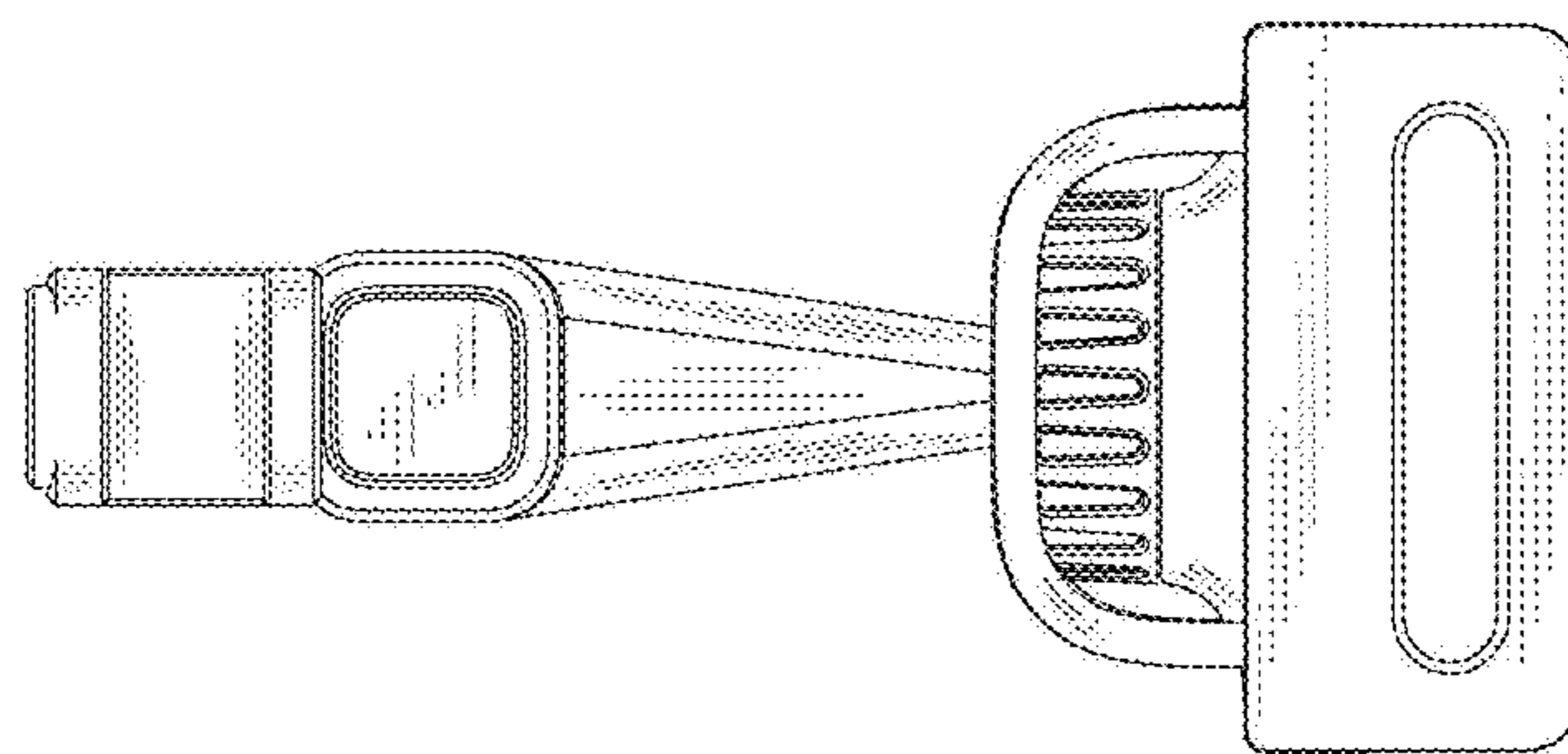


FIG.5

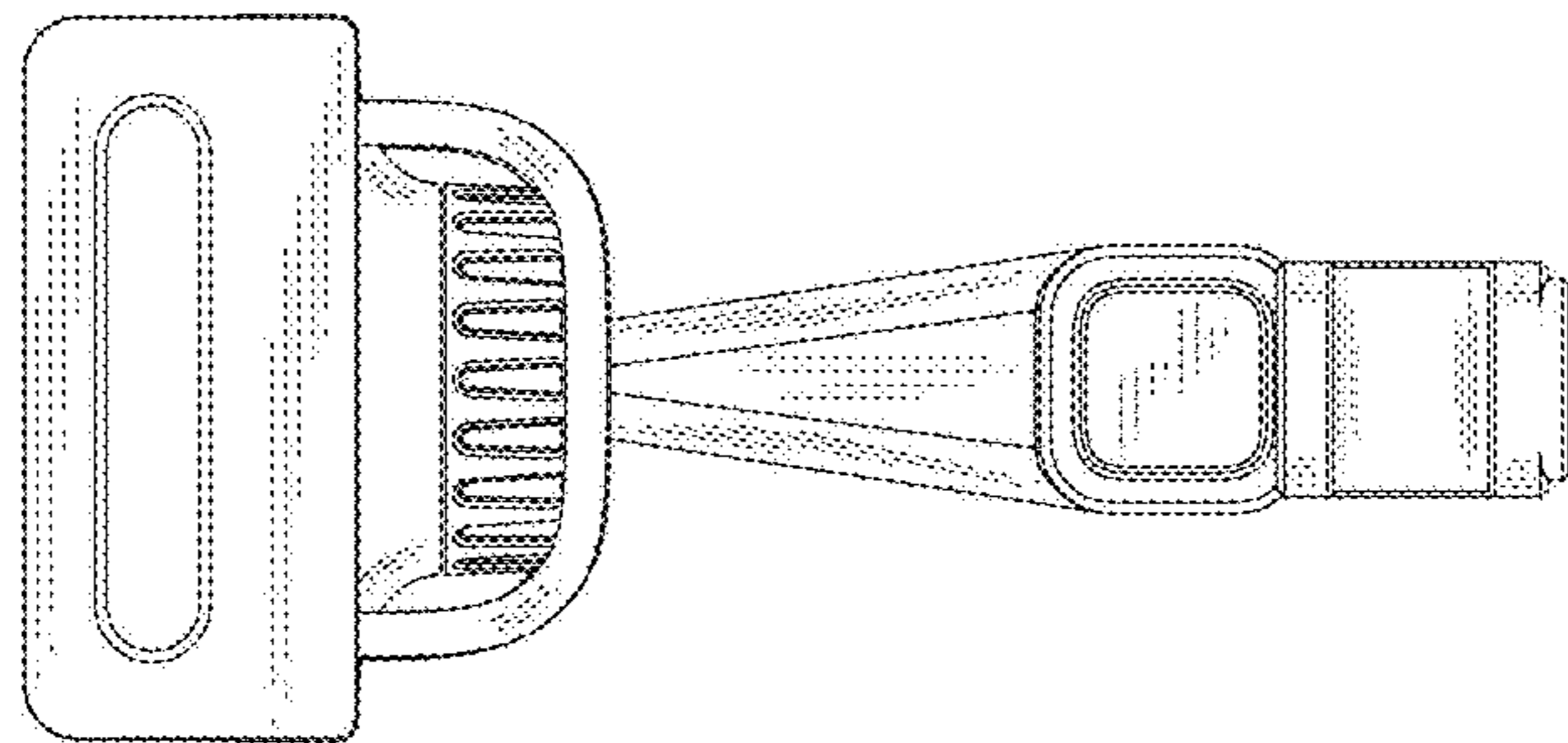


FIG.6

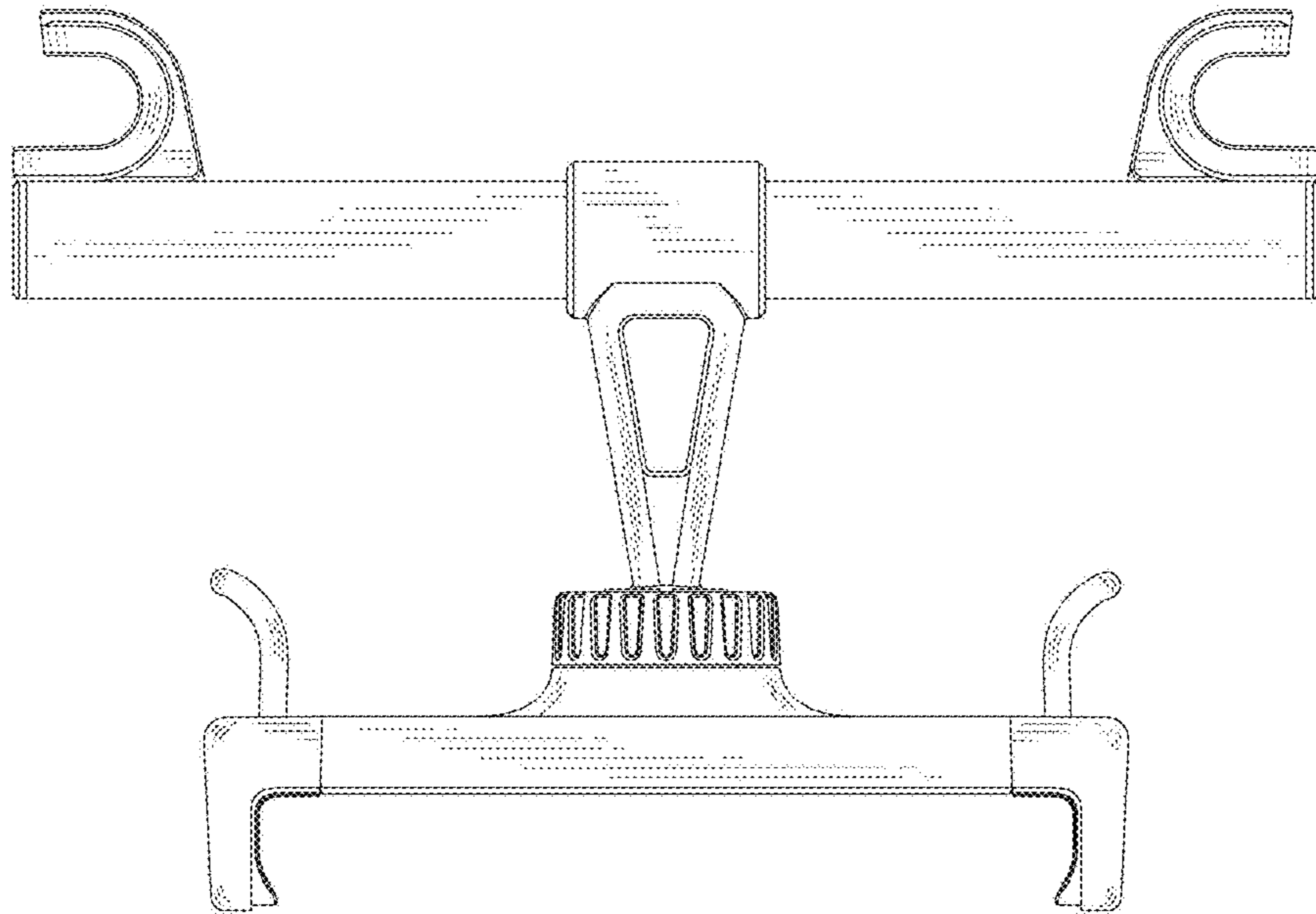


FIG. 7

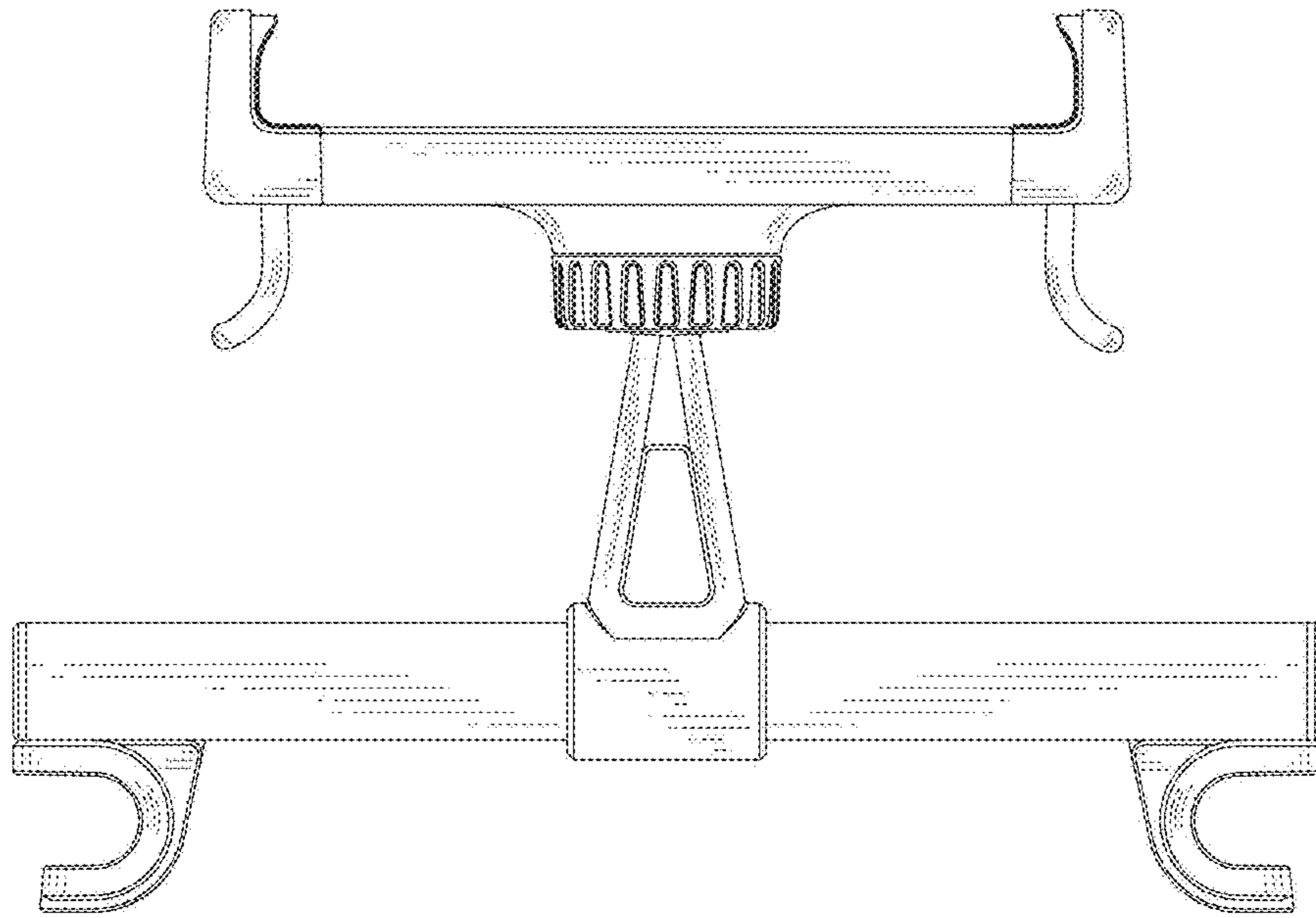


FIG. 8

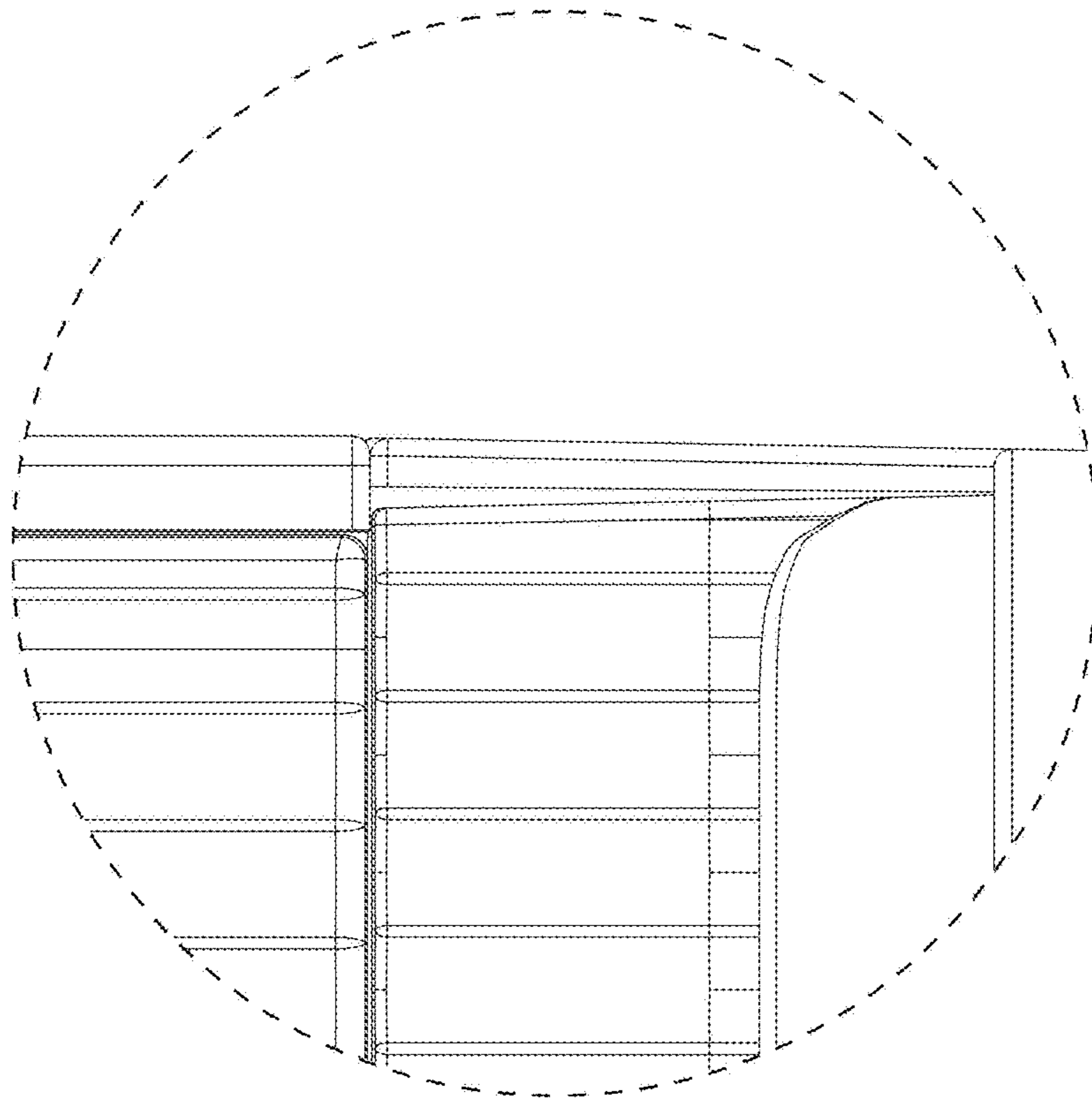


FIG. 9

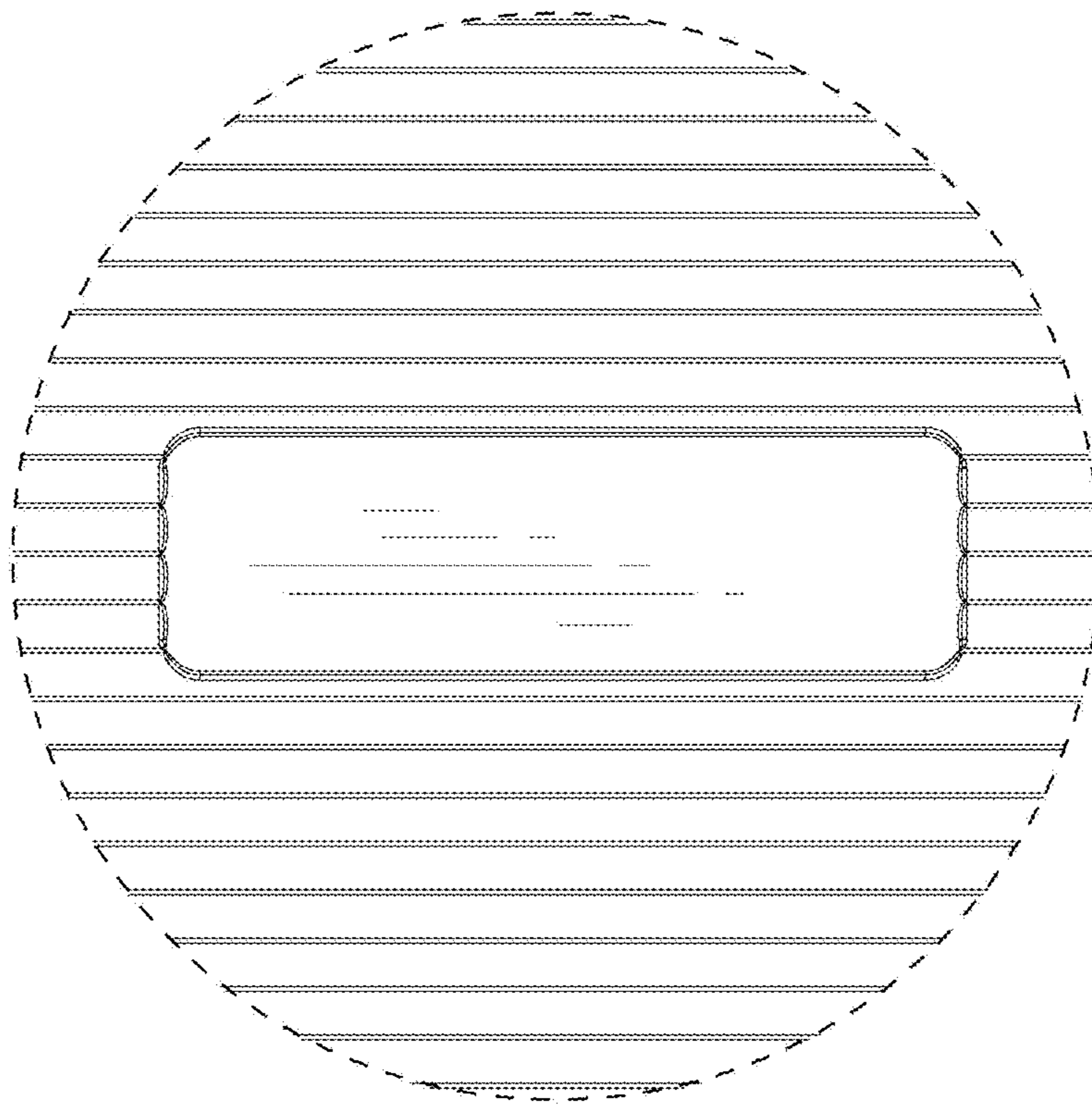


FIG. 10