

US00D942924S

(12) **United States Design Patent**  
**Doughty**

(10) **Patent No.:** **US D942,924 S**

(45) **Date of Patent:** **\*\* Feb. 8, 2022**

- (54) **BOX FOR A BICYCLE**
- (71) Applicant: **HAWK NZ LIMITED**, Auckland (NZ)
- (72) Inventor: **James Doughty**, Auckland (NZ)
- (73) Assignee: **HAWK NZ LIMITED**, Auckland (NZ)
- (\*\*) Term: **15 Years**

- D803,142 S \* 11/2017 Bauer ..... D12/402
- D803,762 S \* 11/2017 Greenblatt ..... D12/402
- D816,586 S \* 5/2018 Doughty ..... D12/402
- D833,956 S \* 11/2018 Xiao ..... D12/402
- D837,130 S \* 1/2019 Fu ..... B62J 19/00  
D12/402
- D844,539 S \* 4/2019 Enriquez Mendoza ..... D12/402
- D872,005 S \* 1/2020 Boyd ..... D12/402

\* cited by examiner

*Primary Examiner* — Katrina A Betton

(74) *Attorney, Agent, or Firm* — Weiss & Moy, P.C.;  
Jeffrey D. Moy

- (21) Appl. No.: **29/743,529**
- (22) Filed: **Jul. 22, 2020**
- (51) **LOC (13) Cl.** ..... **12-16**
- (52) **U.S. Cl.**  
USPC ..... **D12/402**
- (58) **Field of Classification Search**  
USPC ..... D12/401–405; D6/610, 611, 601–603,  
D6/615, 617, 621; D7/332, 334–337  
CPC ..... B65D 85/68; B65D 31/16; B65D 33/02;  
B60R 5/04; B60R 5/045; B60P 7/04  
See application file for complete search history.

(57) **CLAIM**

The ornamental design for a box for a bicycle, as shown and described.

**DESCRIPTION**

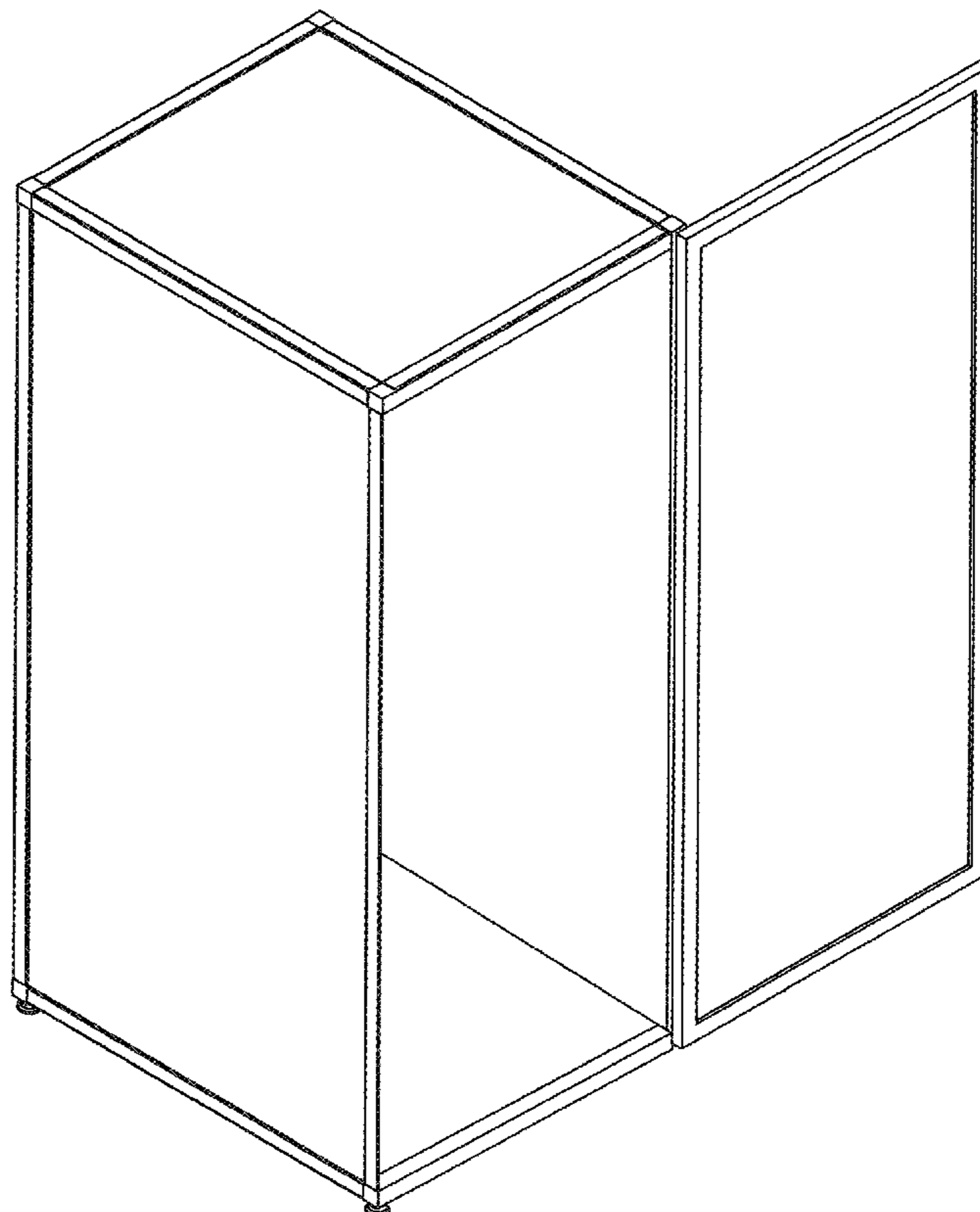
FIG. 1 is a front perspective view of a box for a bicycle with a door open, showing my new design;  
 FIG. 2 is a front perspective view of the box for a bicycle with the door closed;  
 FIG. 3 is a left side view of FIG. 2 thereof;  
 FIG. 4 is a right side view of FIG. 2 thereof;  
 FIG. 5 is a front perspective view of FIG. 2 thereof;  
 FIG. 6 is a rear perspective view of FIG. 2 thereof;  
 FIG. 7 is a top view of FIG. 2 thereof; and,  
 FIG. 8 is a bottom view of FIG. 2 thereof.

**1 Claim, 8 Drawing Sheets**

(56) **References Cited**

U.S. PATENT DOCUMENTS

- D393,445 S \* 4/1998 Nicholson ..... D12/402
- D405,045 S \* 2/1999 Sauve ..... B65D 85/68  
D12/402
- D588,978 S \* 3/2009 Powers ..... D12/402
- D626,060 S \* 10/2010 Rians ..... D12/402
- D688,619 S \* 8/2013 Camara ..... D12/402
- D781,209 S \* 3/2017 Houck ..... D12/402



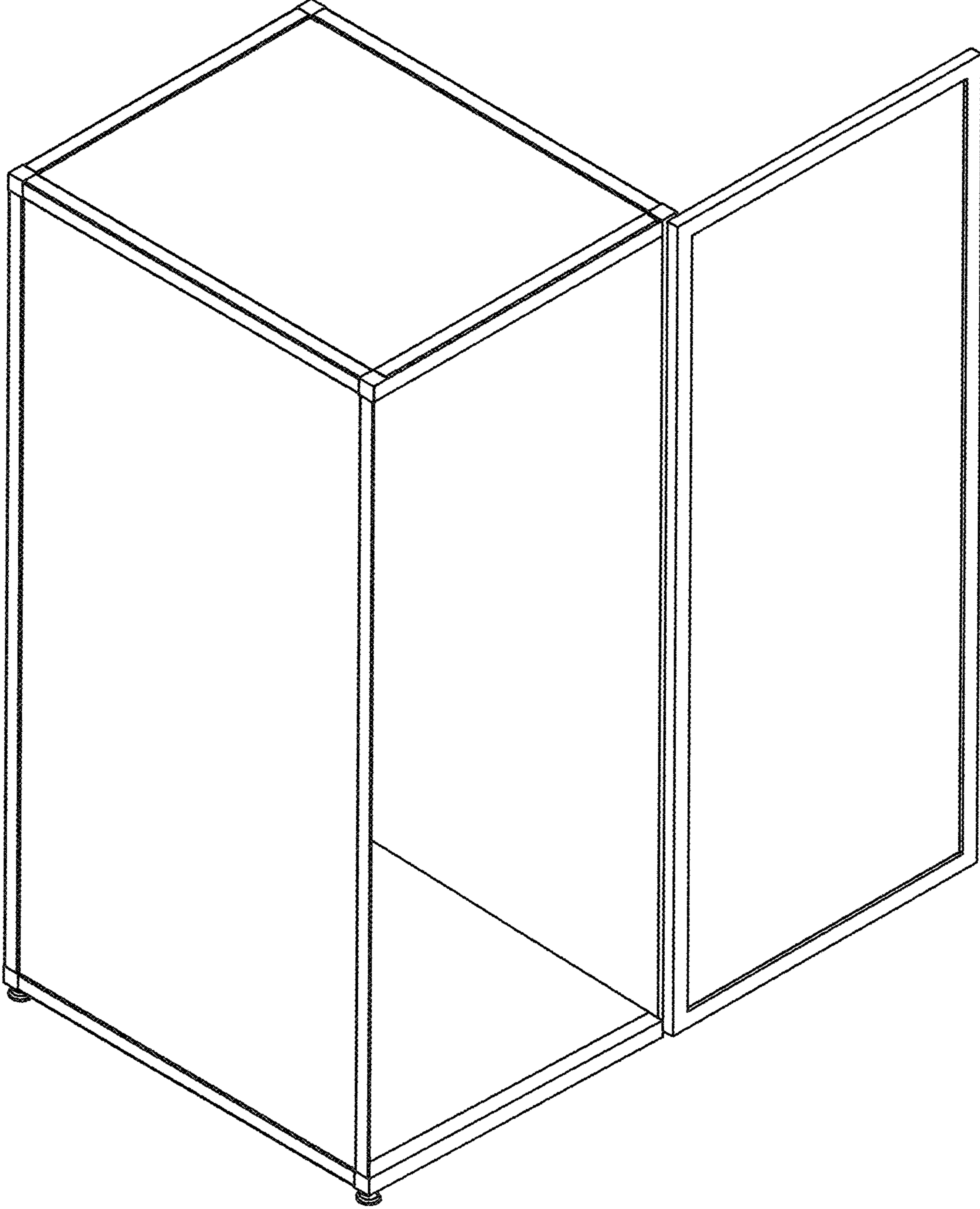


FIG. 1

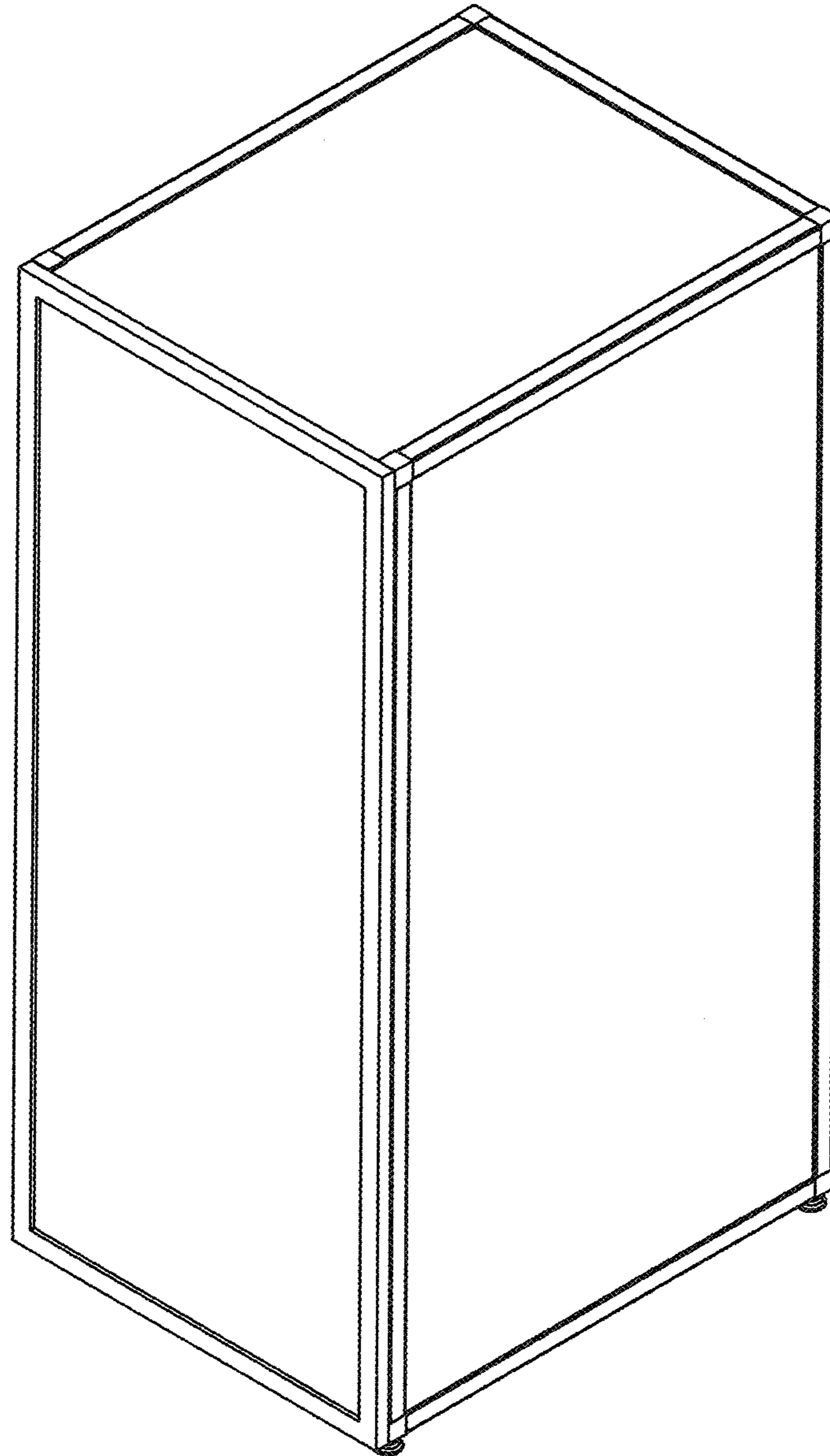


FIG. 2

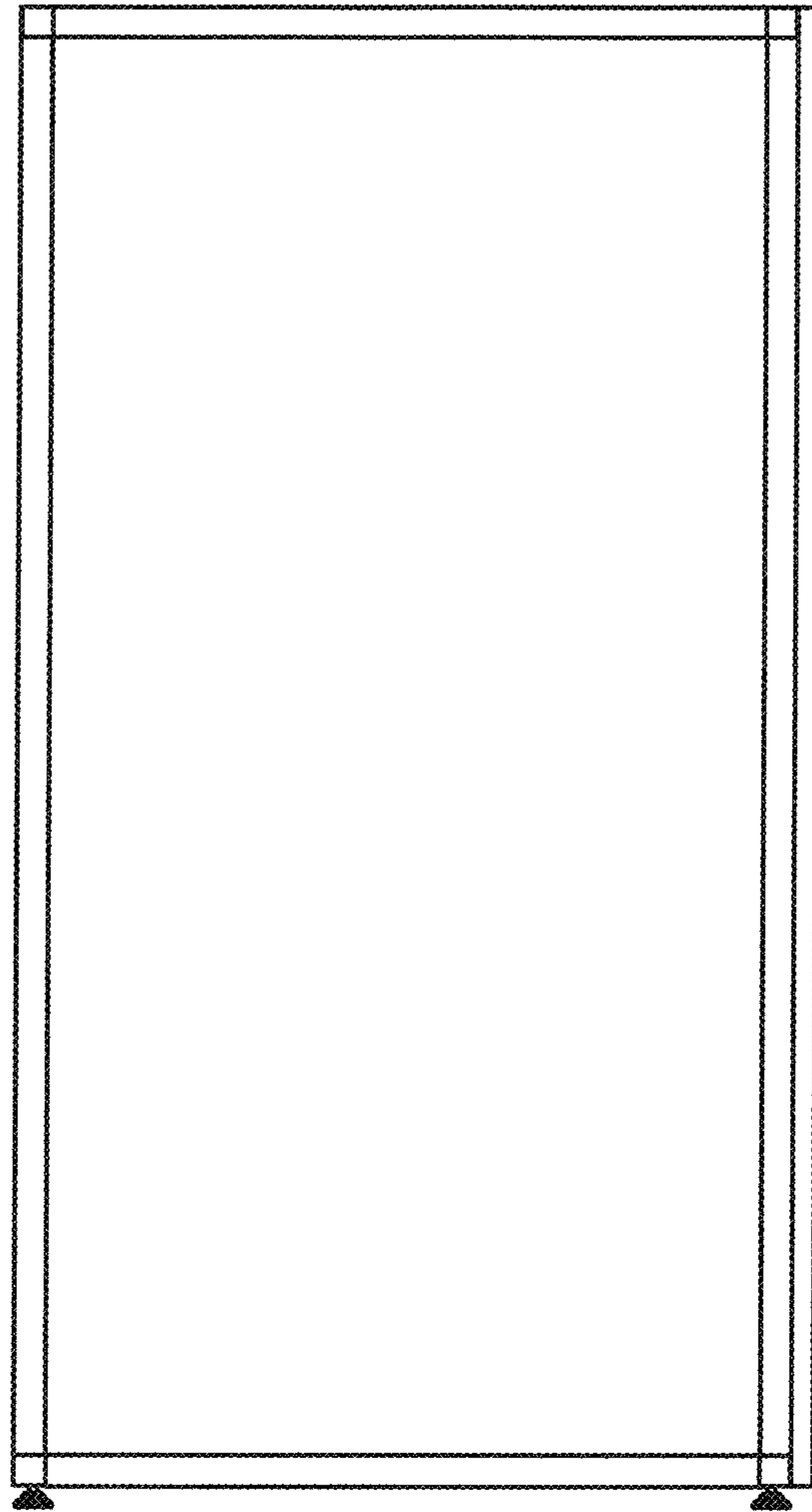


FIG. 3

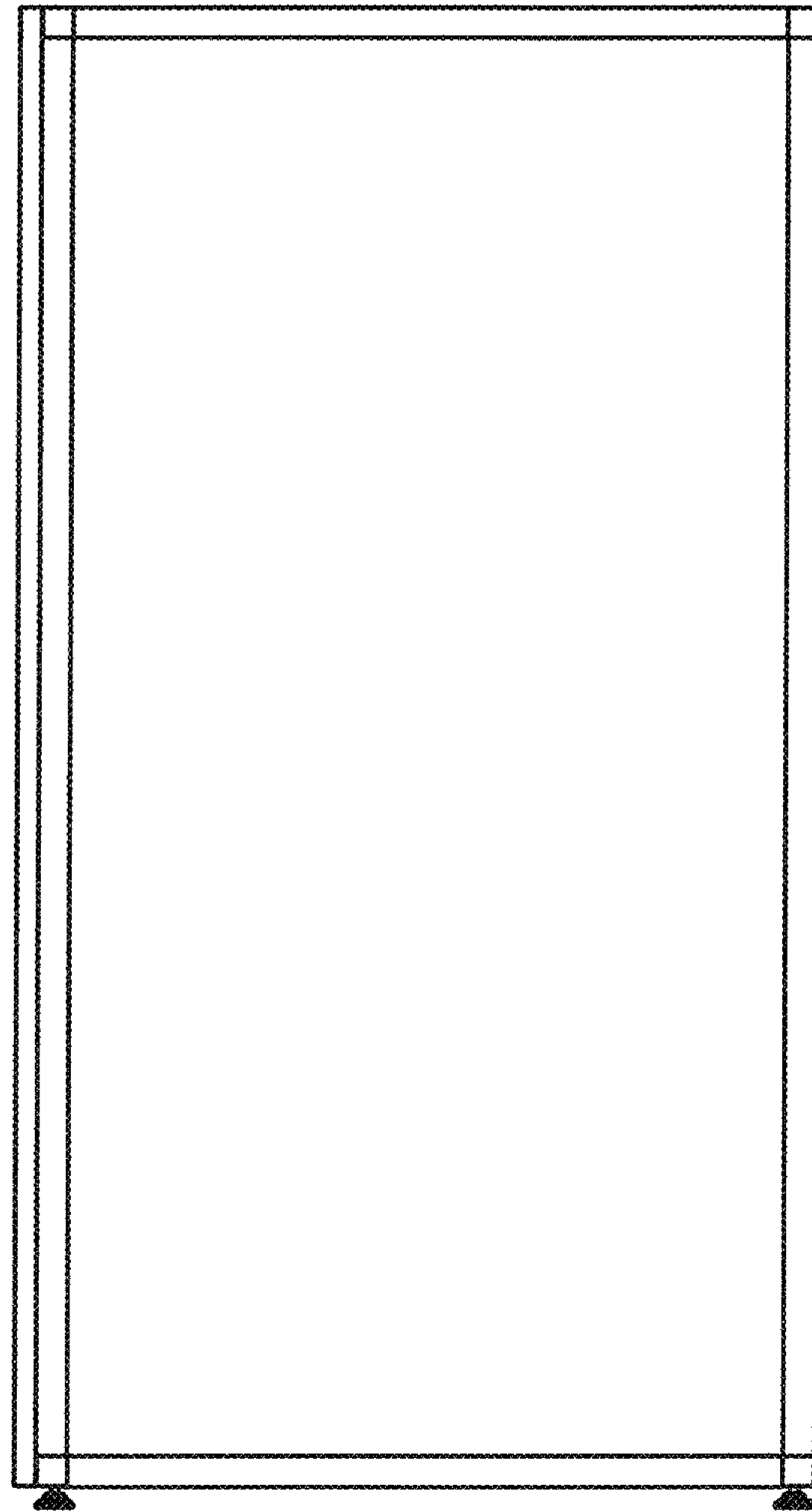


FIG. 4

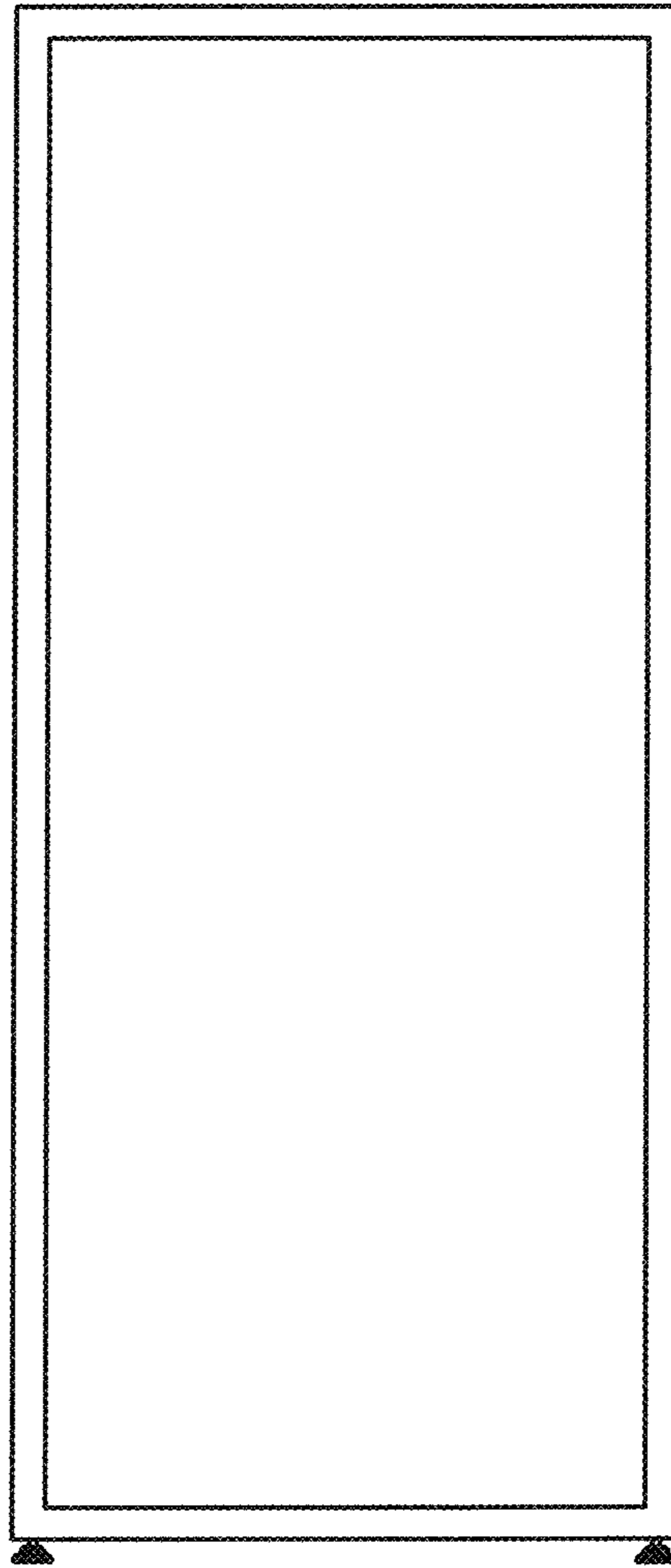


FIG. 5

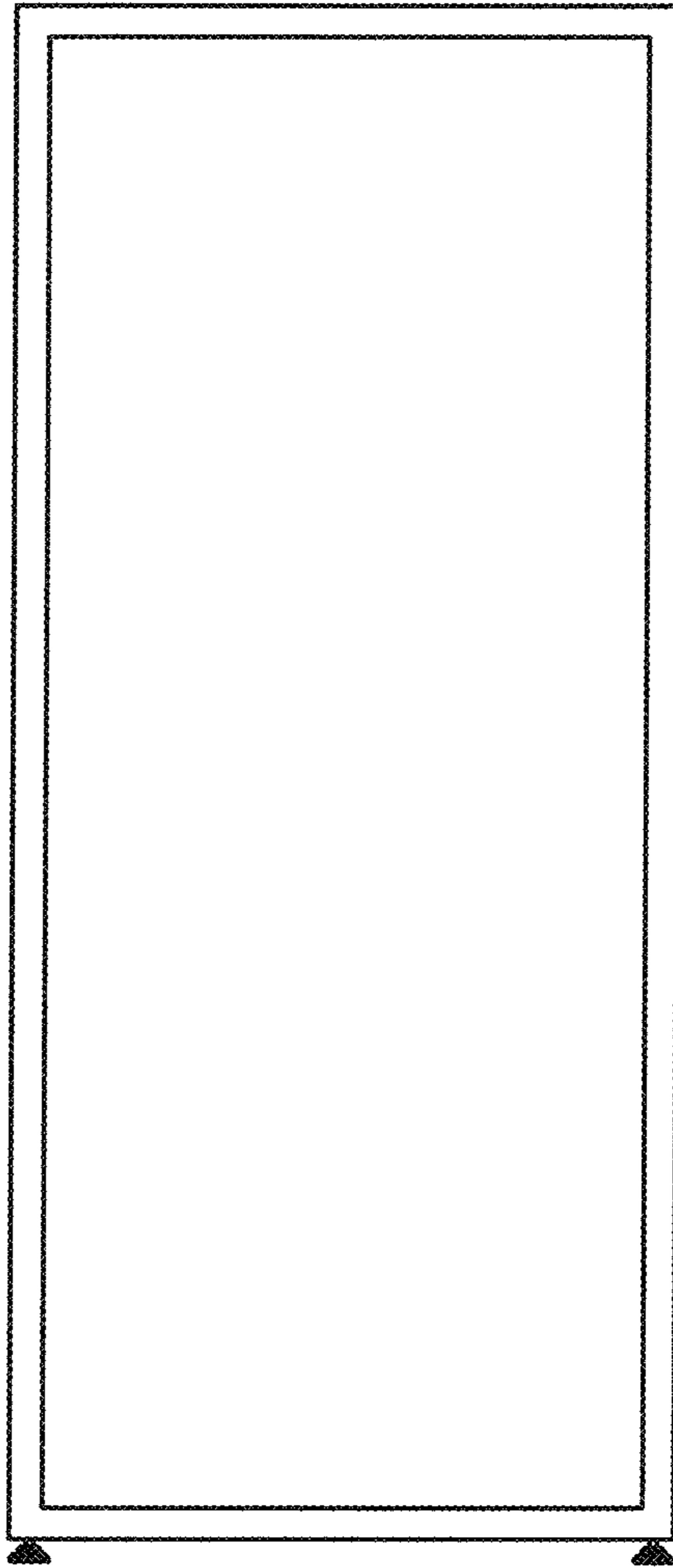


FIG. 6



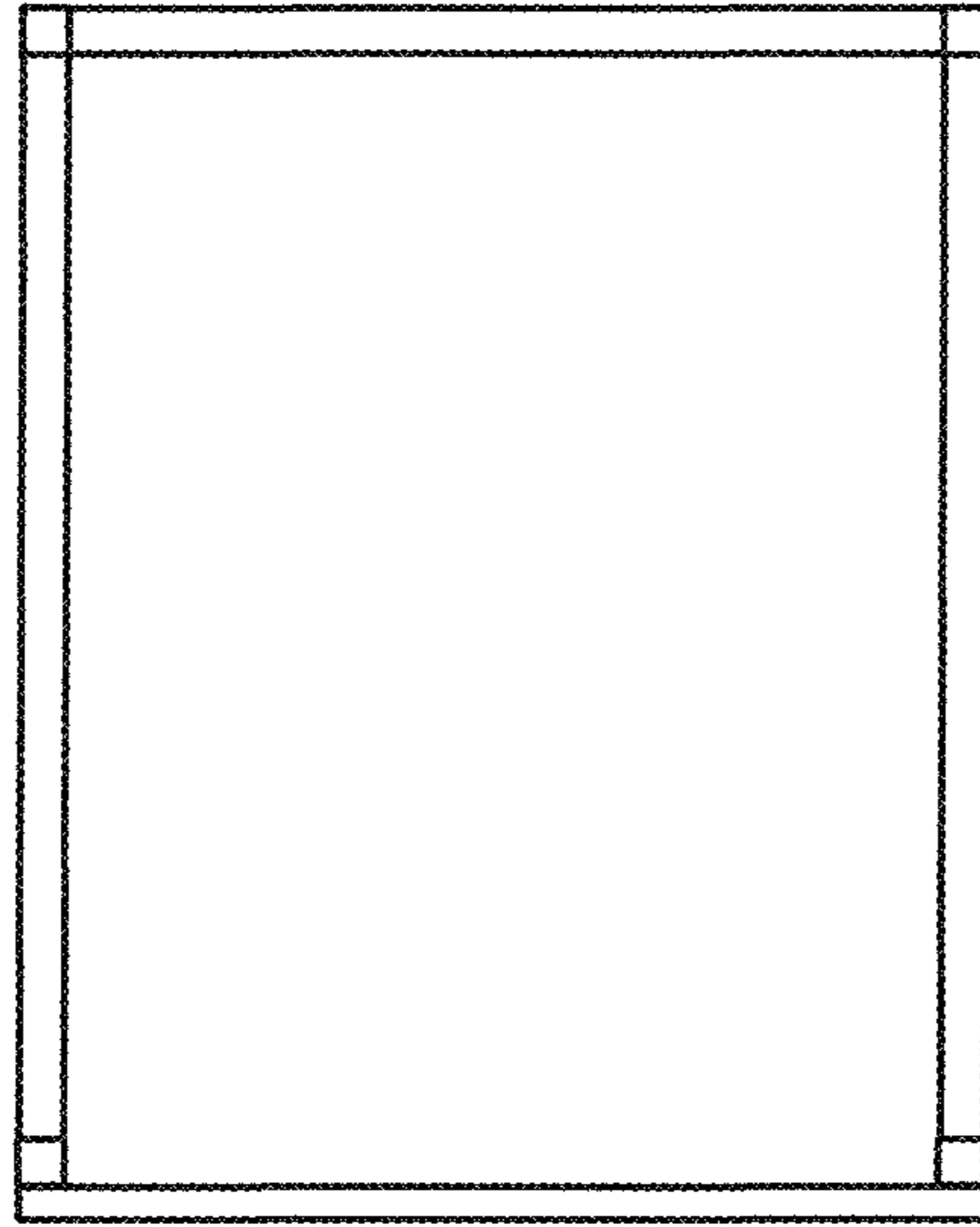


FIG. 7



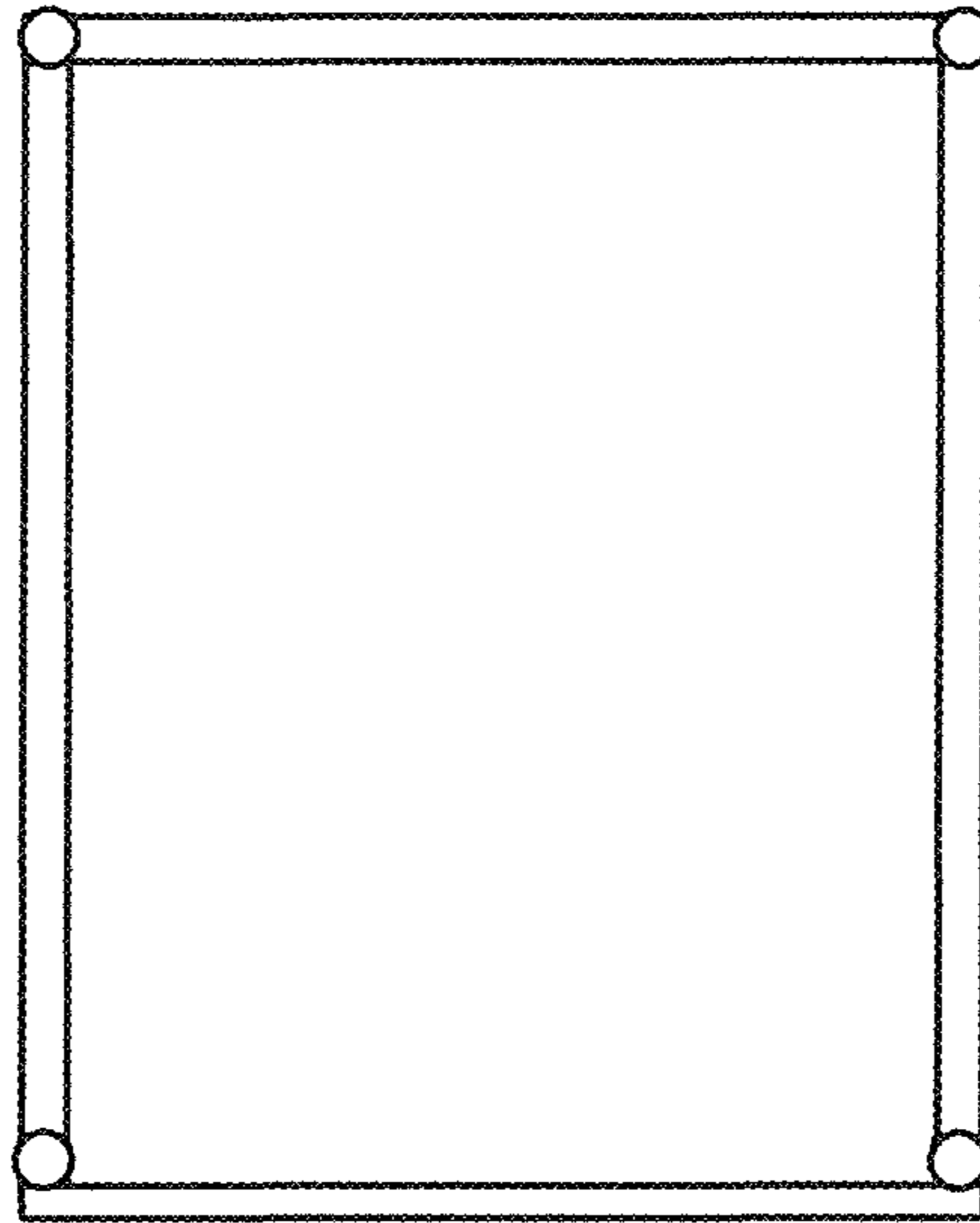


FIG. 8