



US00D942919S

(12) **United States Design Patent**  
**Tran**

(10) **Patent No.:** **US D942,919 S**

(45) **Date of Patent:** **\*\* Feb. 8, 2022**

(54) **WHEEL**

(71) Applicant: **Wheel Pros, LLC**, Greenwood Village,  
CO (US)

(72) Inventor: **Peter Tran**, Lake Hughes, CA (US)

(\*\*) Term: **15 Years**

(21) Appl. No.: **29/761,326**

(22) Filed: **Dec. 8, 2020**

(51) **LOC (13) Cl.** ..... **12-16**

(52) **U.S. Cl.**  
USPC ..... **D12/209**

(58) **Field of Classification Search**  
USPC ..... D12/204–213; D21/563  
CPC .... B60B 7/00; B60B 7/02; B60B 7/04; B60B  
7/01; B60B 7/06; B60B 3/02; B60B 3/04;  
B60B 3/06; B60B 3/10; B60B 1/00;  
B60B 1/08; B60B 1/10; B60B 1/12  
See application file for complete search history.

(56) **References Cited**

**U.S. PATENT DOCUMENTS**

D800,628 S \* 10/2017 Tran ..... D12/209  
D802,509 S \* 11/2017 Tran ..... D12/209

D817,844 S \* 5/2018 Hale, Jr. .... D12/209  
D852,706 S \* 7/2019 Tran ..... D12/211  
D856,245 S \* 8/2019 Hale, Jr. .... D12/209  
D859,258 S \* 9/2019 Hale, Jr. .... D12/209  
D865,625 S \* 11/2019 Chiu ..... D12/209  
D885,284 S \* 5/2020 Han ..... D12/209  
D898,651 S \* 10/2020 Lickliter ..... D12/209  
D915,981 S \* 4/2021 Kangas ..... D12/209  
D926,655 S \* 8/2021 Lickliter ..... D12/209  
D929,295 S \* 8/2021 VanRyn ..... D12/209  
D929,296 S \* 8/2021 VanRyn ..... D12/209  
D929,297 S \* 8/2021 VanRyn ..... D12/209  
D937,177 S \* 11/2021 VanRyn ..... D12/209

\* cited by examiner

*Primary Examiner* — Stacia A Cadmus

(74) *Attorney, Agent, or Firm* — Eric Hanscom

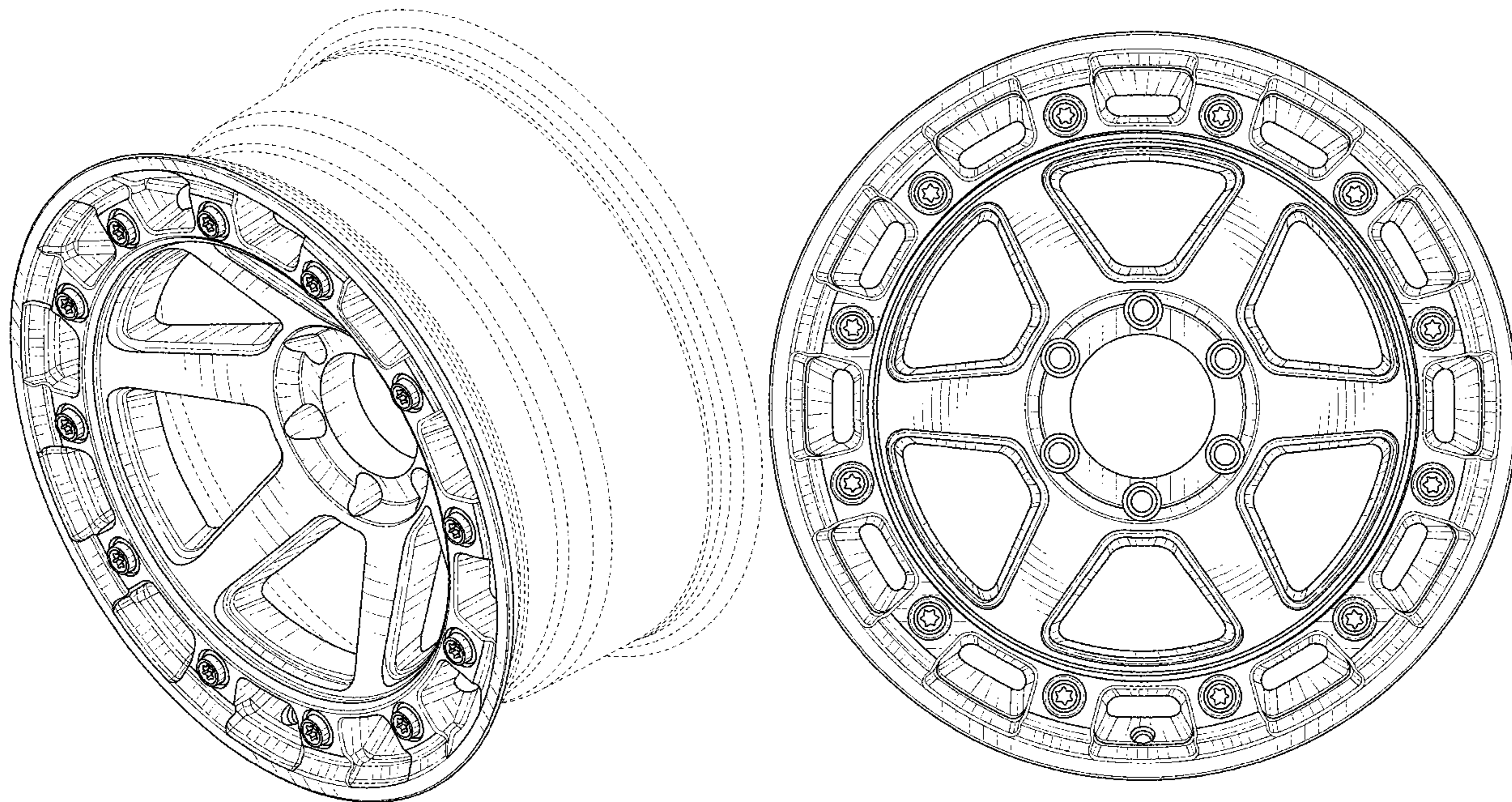
(57) **CLAIM**

The ornamental design for a wheel, as shown and described.

**DESCRIPTION**

FIG. 1 is a perspective view of a wheel showing my new design; and,  
FIG. 2 is a front view thereof.  
In the drawings the broken lines depict portions of the wheel that form no part of the claimed design.

**1 Claim, 2 Drawing Sheets**



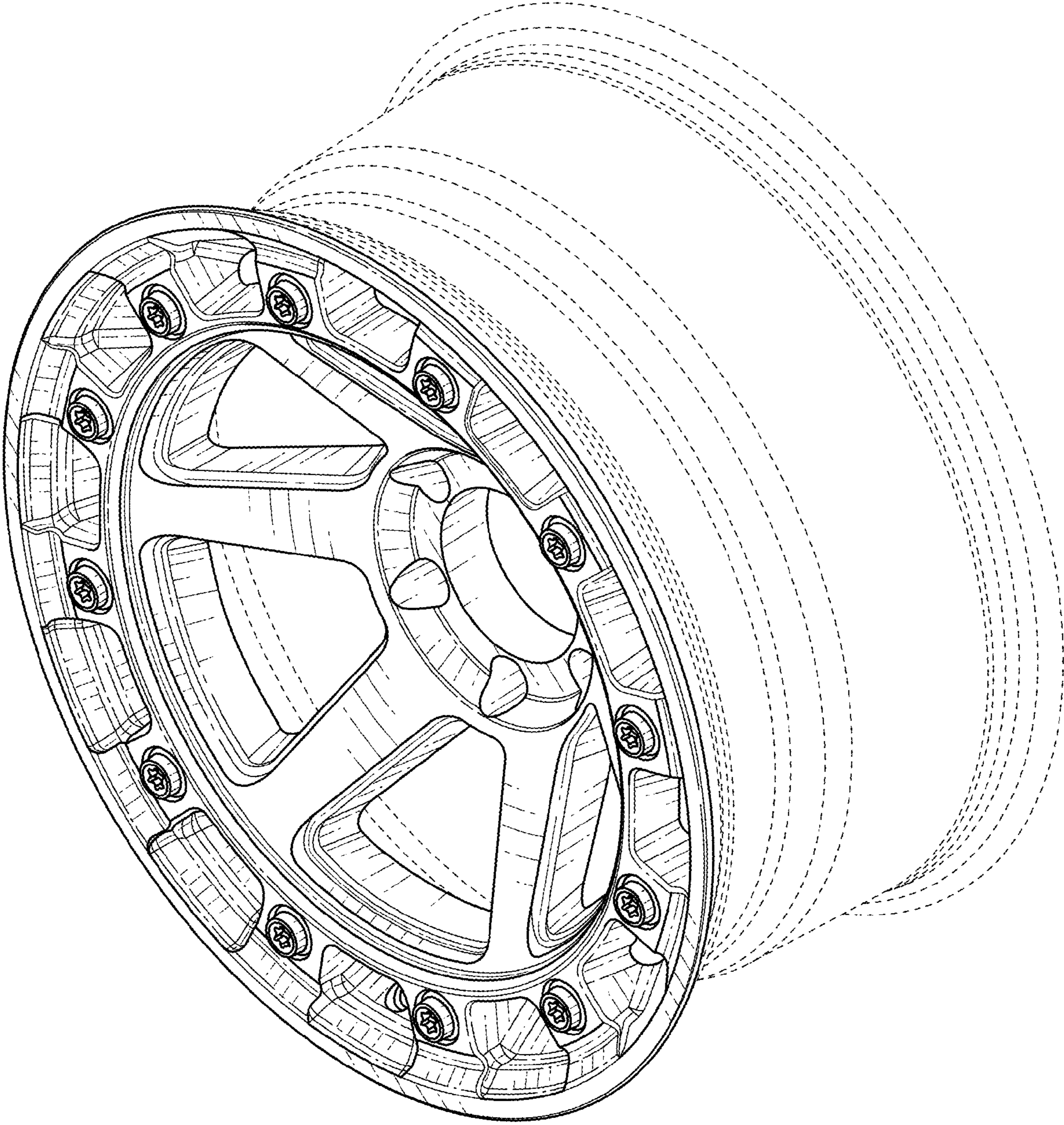


FIG. 1

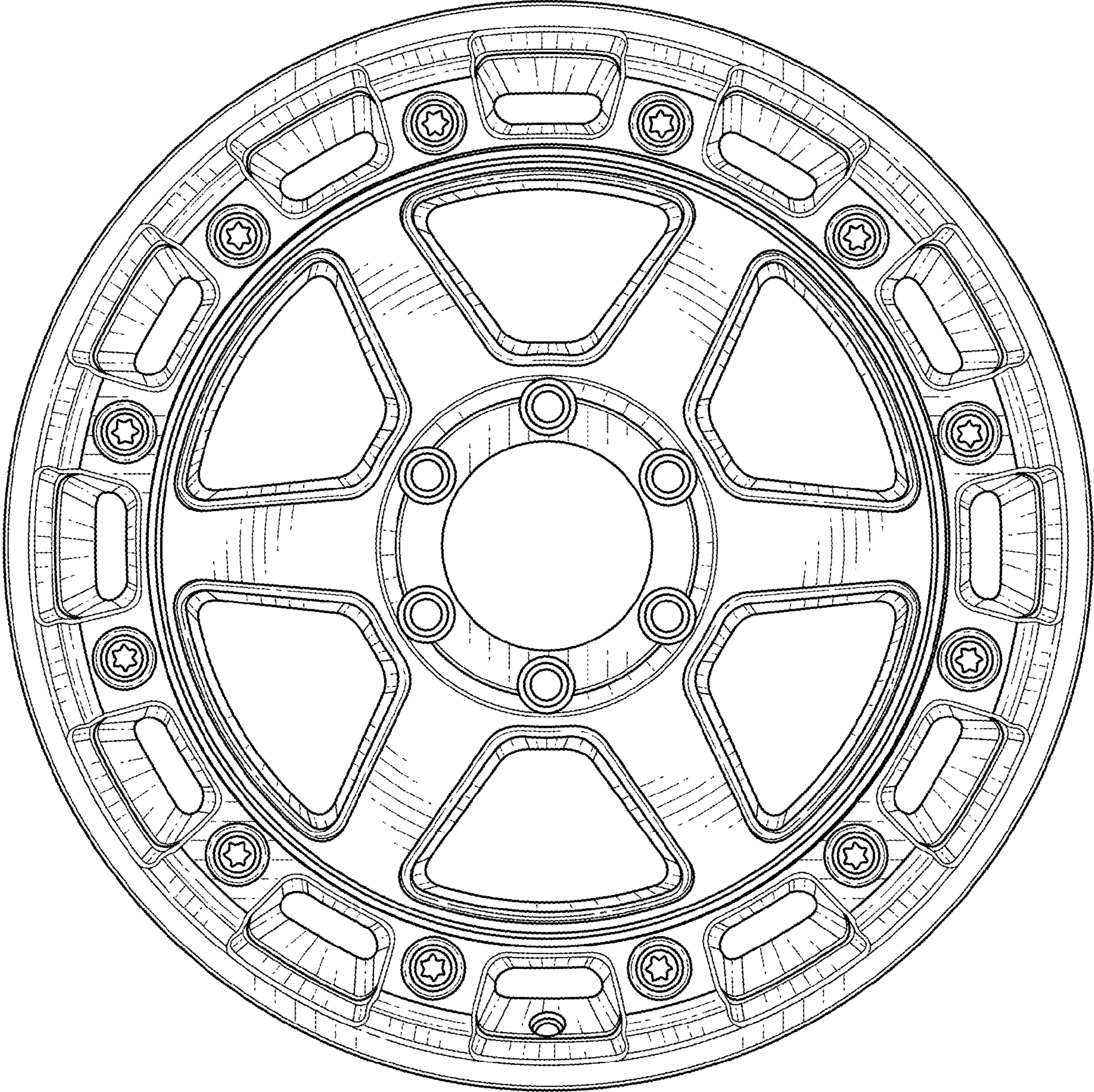


FIG. 2