



US00D942917S

(12) **United States Design Patent**  
**Tran**

(10) **Patent No.:** **US D942,917 S**

(45) **Date of Patent:** **\*\* Feb. 8, 2022**

(54) **WHEEL**

(71) Applicant: **Wheel Pros, LLC**, Greenwood Village, CO (US)

(72) Inventor: **Peter Tran**, Lake Hughes, CA (US)

(\*\*) Term: **15 Years**

(21) Appl. No.: **29/760,885**

(22) Filed: **Dec. 4, 2020**

(51) **LOC (13) Cl.** ..... **12-16**

(52) **U.S. Cl.**  
USPC ..... **D12/209**

(58) **Field of Classification Search**  
USPC ..... D12/204–213; D21/563  
CPC .... B60B 7/00; B60B 7/02; B60B 7/04; B60B 7/01; B60B 7/06; B60B 3/02; B60B 3/04; B60B 3/06; B60B 3/10; B60B 1/00; B60B 1/08; B60B 1/10; B60B 1/12  
See application file for complete search history.

D758,276 S	6/2016	Licklitter	
D781,204 S *	3/2017	Peat	D12/211
D783,495 S *	4/2017	Hale, Jr.	D12/209
D795,150 S *	8/2017	Tran	D12/209
D800,630 S	10/2017	Tran	
D822,575 S	7/2018	Chung	
D824,314 S	7/2018	Chung	
D824,316 S	7/2018	Tran	
D829,152 S	9/2018	Caldwell	
D835,022 S	12/2018	Kong	
D842,186 S	3/2019	Kong	
D845,861 S	4/2019	Tran	
D849,657 S	5/2019	Kong	
D860,901 S	9/2019	Licklitter	
D899,999 S *	10/2020	Kong	D12/209
D904,963 S	12/2020	Hale, Jr.	
D906,924 S *	1/2021	Liu	D12/209
D913,897 S *	3/2021	VanRyn	D12/209
D914,576 S *	3/2021	VanRyn	D12/211
D928,059 S *	8/2021	Han	D12/209
D929,289 S *	8/2021	Chartier	D12/209
D937,735 S *	12/2021	Podlovits	D12/209
D937,738 S *	12/2021	Han	D12/209
D937,741 S *	12/2021	Tran	D12/209

\* cited by examiner

*Primary Examiner* — Stacia A Cadmus

(74) *Attorney, Agent, or Firm* — Eric Hanscom

(56) **References Cited**

U.S. PATENT DOCUMENTS

D273,102 S	3/1984	Woodward	
D288,086 S *	2/1987	Envall	D12/209
D363,457 S *	10/1995	Coddington	D12/209
D384,629 S *	10/1997	Nagashima	D12/209
D387,724 S *	12/1997	Chung	D12/209
D453,724 S	2/2002	Hodges	
D464,010 S	10/2002	Chung	
D519,433 S	4/2006	Finn	
D550,600 S	9/2007	Celik	
D576,093 S	9/2008	Chung	
D582,827 S	12/2008	Musser	
D612,316 S	3/2010	Sanschagrin	
D680,938 S	4/2013	Hale	
D711,304 S	8/2014	Chung	

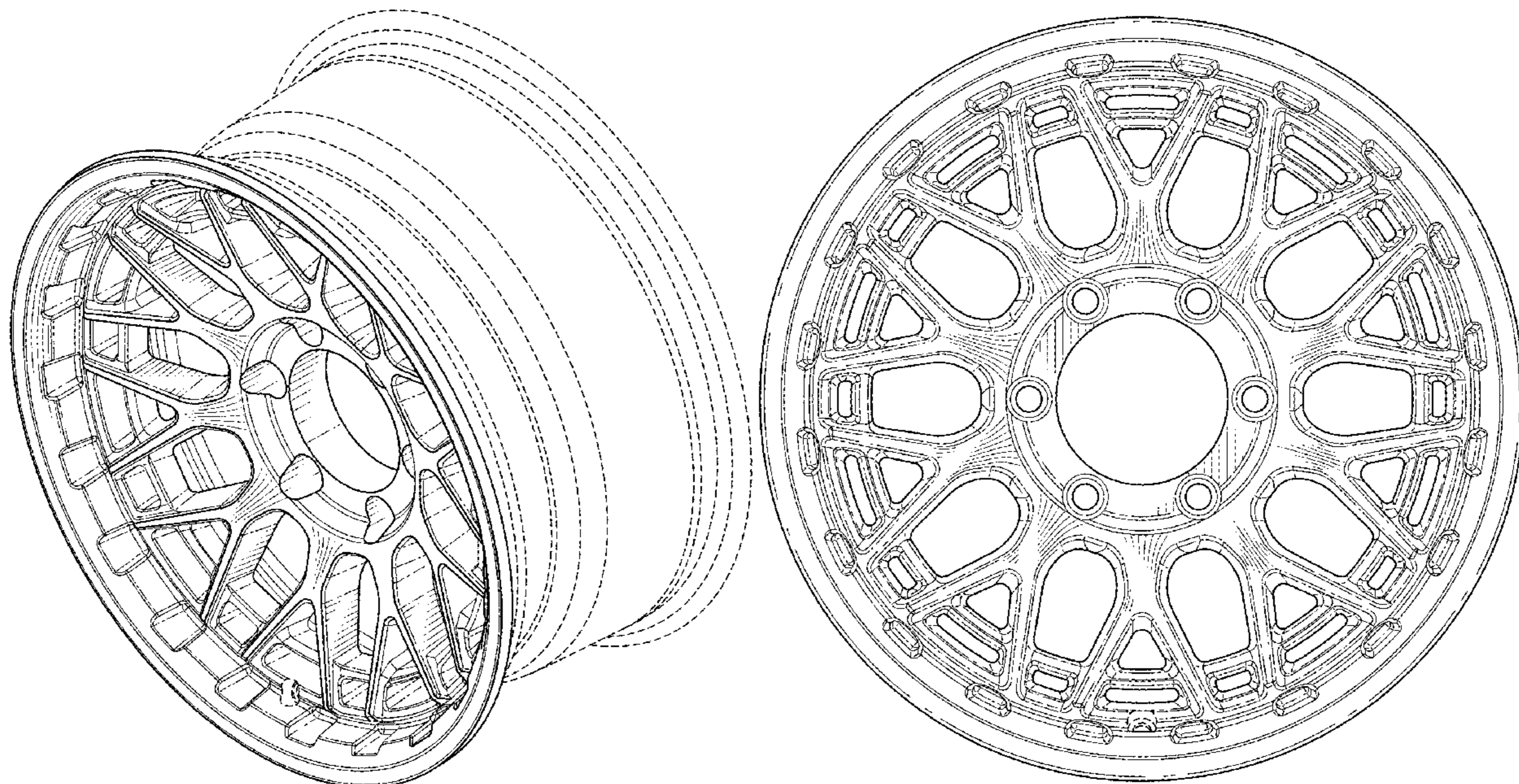
(57) **CLAIM**

The ornamental design for a wheel, as shown and described.

**DESCRIPTION**

FIG. 1 is a perspective view of a wheel showing my new design; and,  
FIG. 2 is a front view thereof.  
In the drawings the broken lines depict portions of the wheel that form no part of the claimed design.

**1 Claim, 2 Drawing Sheets**





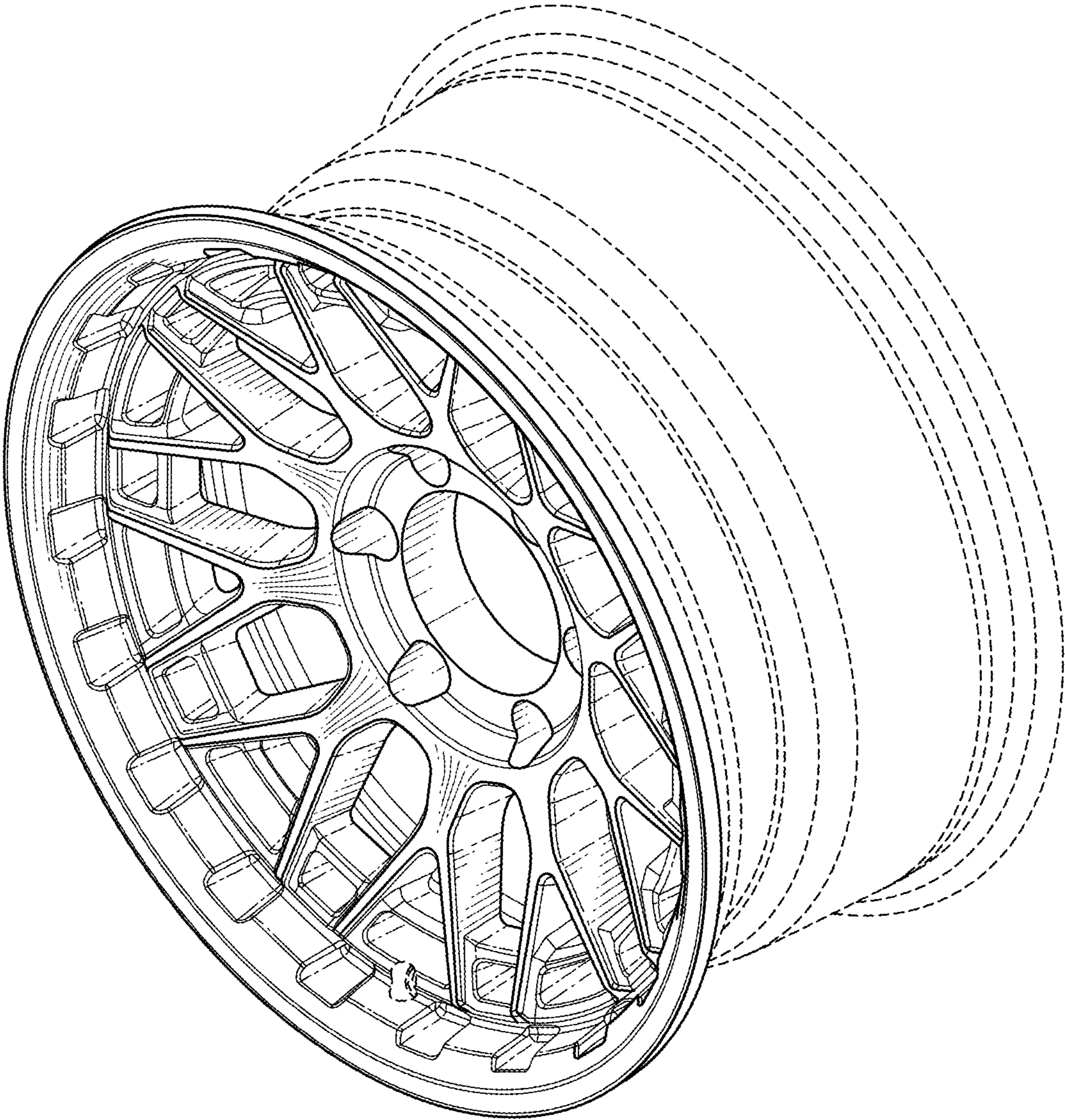


FIG. 1



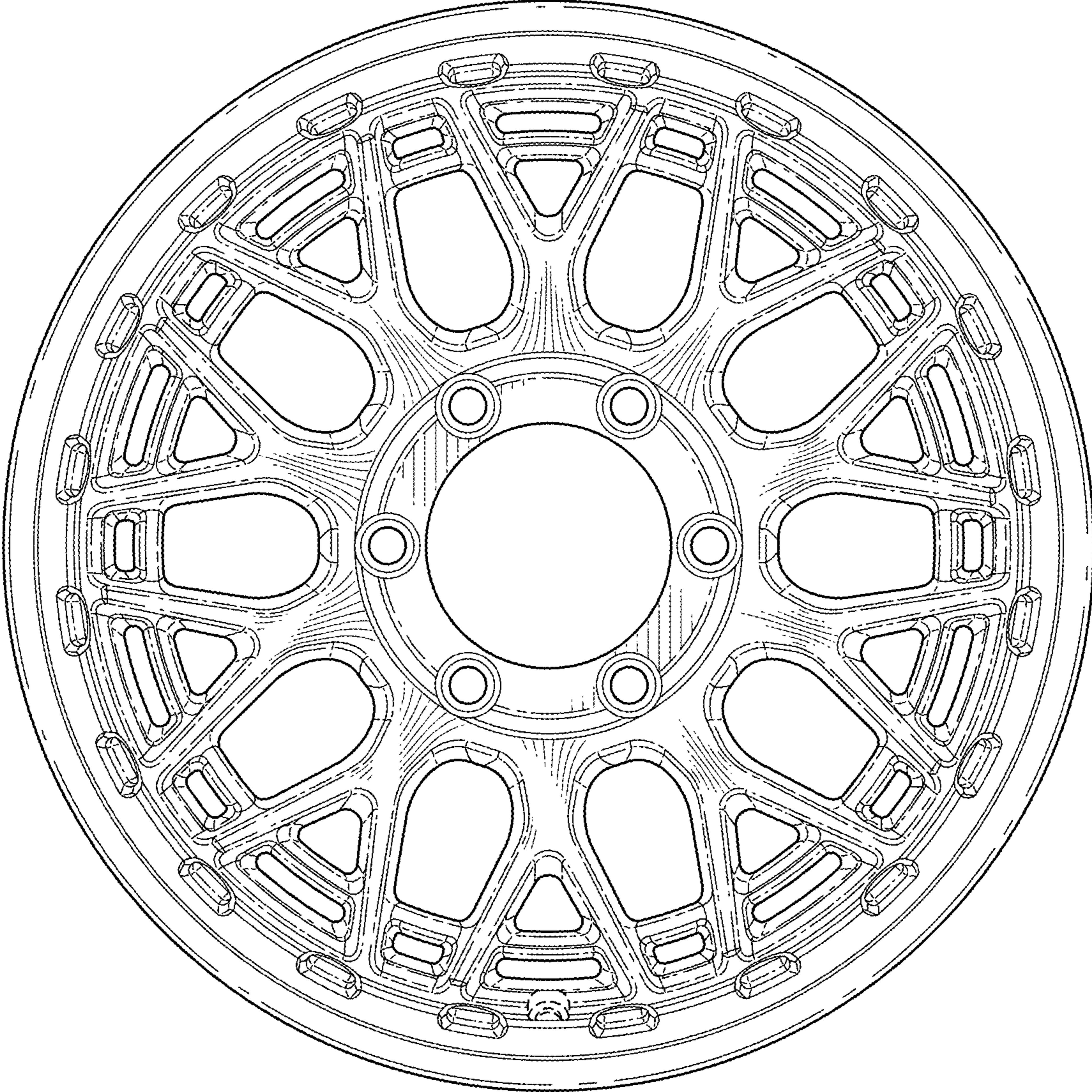


FIG. 2