



US00D942916S

(12) **United States Design Patent**  
**Han**

(10) **Patent No.:** **US D942,916 S**

(45) **Date of Patent:** **\*\* Feb. 8, 2022**

(54) **AUTOMOTIVE WHEEL**

(71) Applicant: **Donnie Han**, Irvine, CA (US)

(72) Inventor: **Donnie Han**, Irvine, CA (US)

(\*\*) Term: **15 Years**

(21) Appl. No.: **29/757,913**

(22) Filed: **Nov. 10, 2020**

(51) **LOC (13) Cl.** ..... **12-16**

(52) **U.S. Cl.**  
USPC ..... **D12/209**

(58) **Field of Classification Search**  
USPC ..... D12/204–213; D21/563  
CPC .... B60B 7/00; B60B 7/02; B60B 7/04; B60B  
7/01; B60B 7/06; B60B 3/02; B60B 3/04;  
B60B 3/06; B60B 3/10; B60B 1/00;  
B60B 1/08; B60B 1/10; B60B 1/12  
See application file for complete search history.

(56) **References Cited**

**U.S. PATENT DOCUMENTS**

D680,486 S	*	4/2013	Zhao	.....	D12/211
D753,047 S	*	4/2016	Alfonso	.....	D12/211
D765,007 S	*	8/2016	Chung	.....	D12/211
D777,077 S	*	1/2017	Bjerke	.....	D12/211
D791,048 S	*	7/2017	Valencia Pollex	.....	D12/211
D823,218 S	*	7/2018	Chung	.....	D12/209

D823,225 S	*	7/2018	Chung	.....	D12/211
D826,828 S	*	8/2018	Wheel	.....	D12/211
D833,943 S	*	11/2018	Chung	.....	D12/209
D845,202 S	*	4/2019	Battams	.....	D12/209
D860,914 S	*	9/2019	Han	.....	D12/211
D864,079 S	*	10/2019	Rueckheim	.....	D12/211
D867,963 S	*	11/2019	Battams	.....	D12/209
D885,295 S	*	5/2020	Han	.....	D12/211
D894,077 S	*	8/2020	Lee	.....	D12/209
D908,065 S	*	1/2021	Mukti	.....	D12/209
D913,183 S	*	3/2021	Aslam	.....	D12/211
D929,292 S	*	8/2021	Han	.....	D12/209
D932,409 S	*	10/2021	Burki	.....	D12/209
D933,571 S	*	10/2021	Patel	.....	D12/211

\* cited by examiner

*Primary Examiner* — Stacia A Cadmus

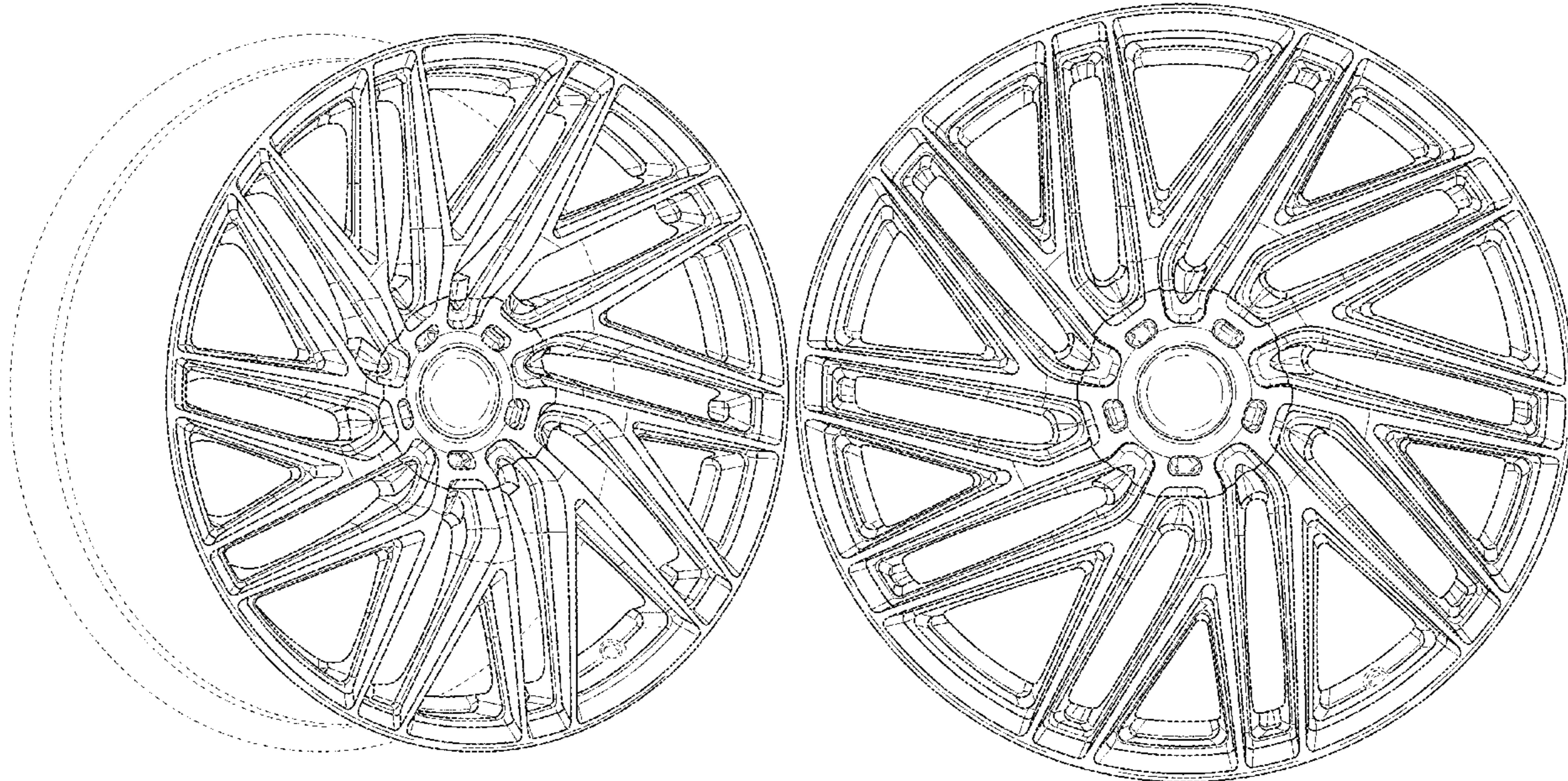
(57) **CLAIM**

The ornamental design for an automotive wheel, as shown and described.

**DESCRIPTION**

FIG. 1 is a perspective view of an automotive wheel, showing my new design;  
FIG. 2 is a front view thereof;  
FIG. 3 is a perspective view of a second embodiment of an automotive wheel, showing my new design; and,  
FIG. 4 is a front view of FIG. 3.  
In the drawings, the portions of the wheel shown in broken lines form no part of the claimed design.

**1 Claim, 4 Drawing Sheets**





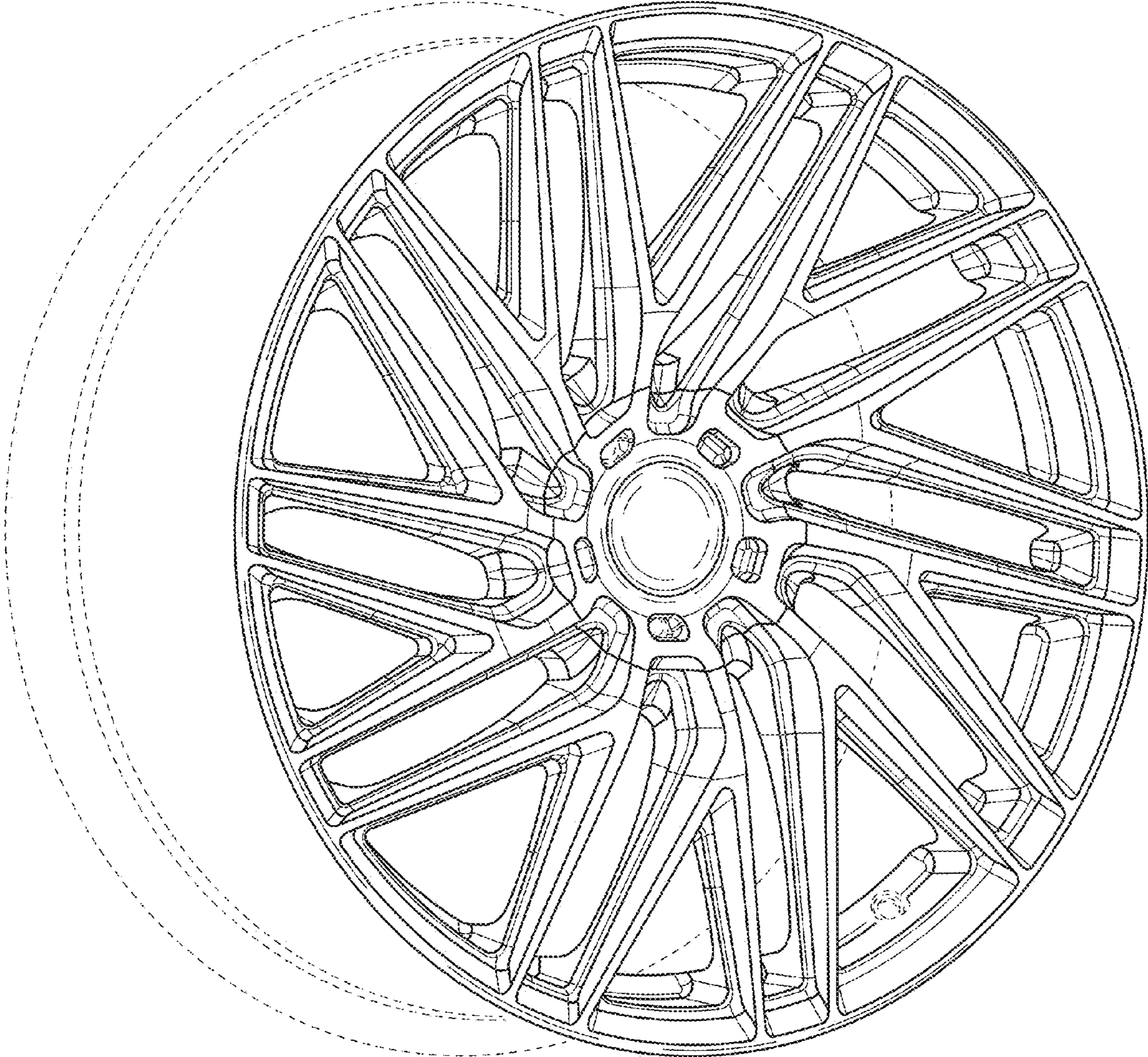


FIGURE 1



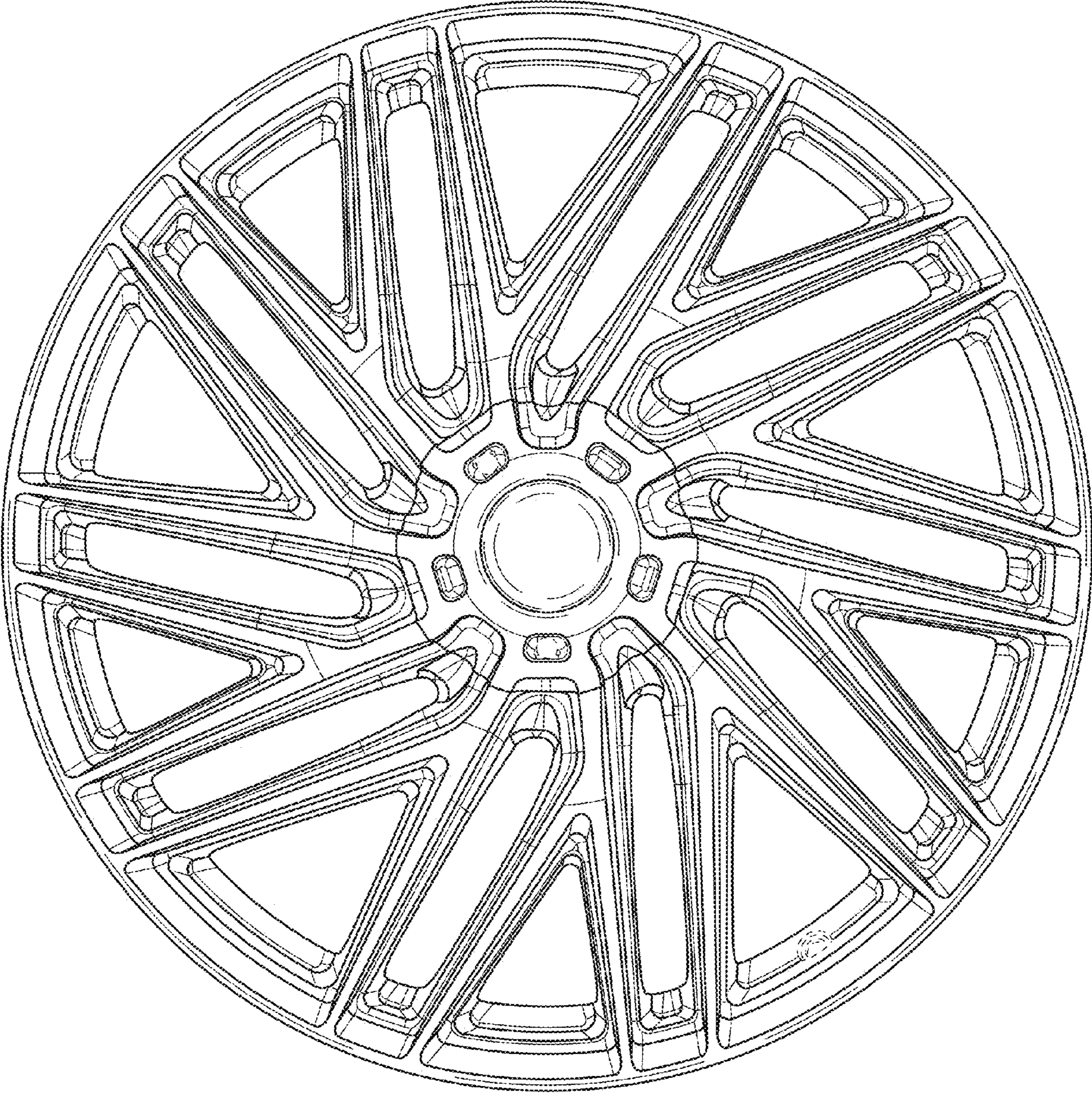


FIGURE 2



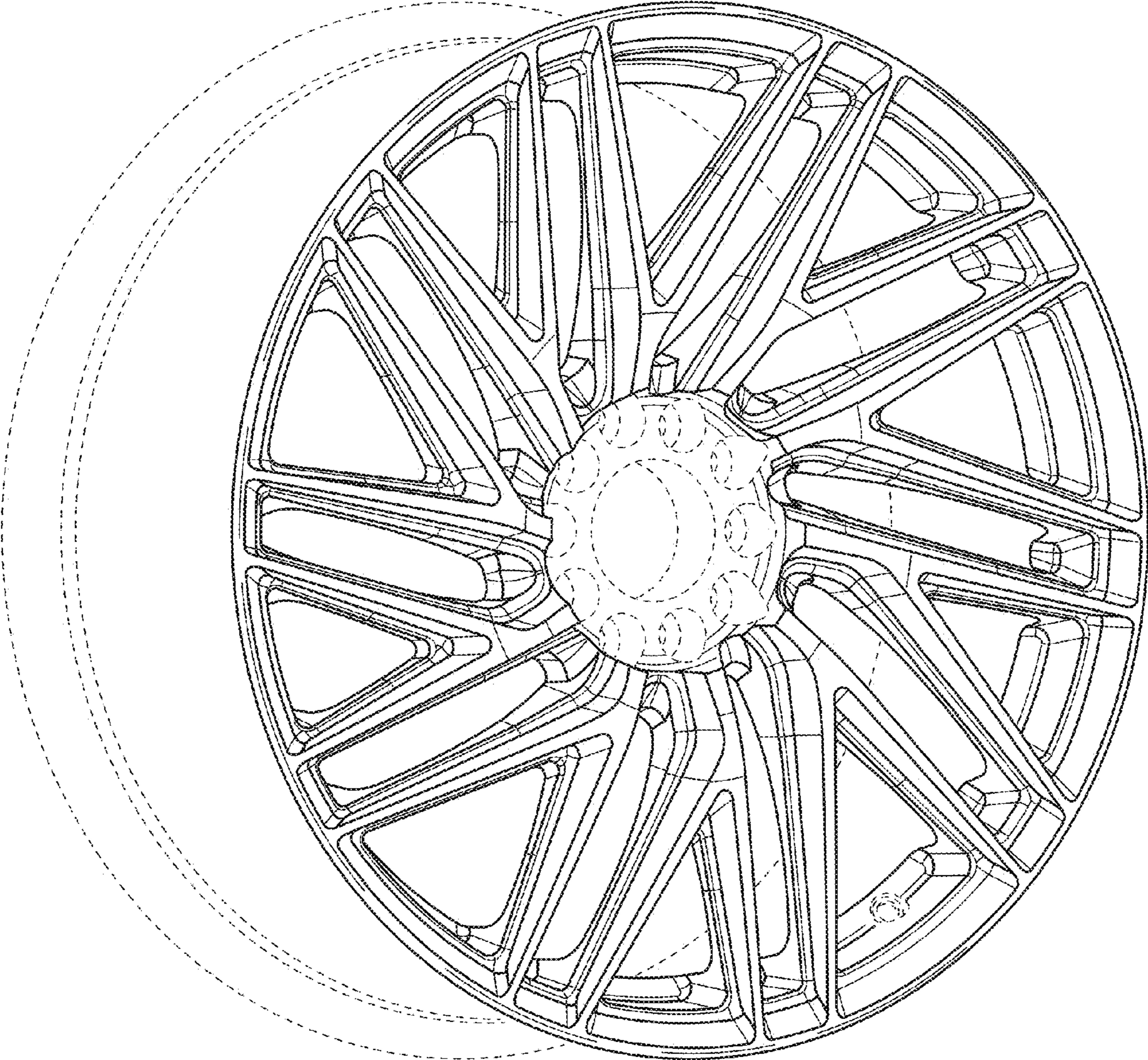


FIGURE 3



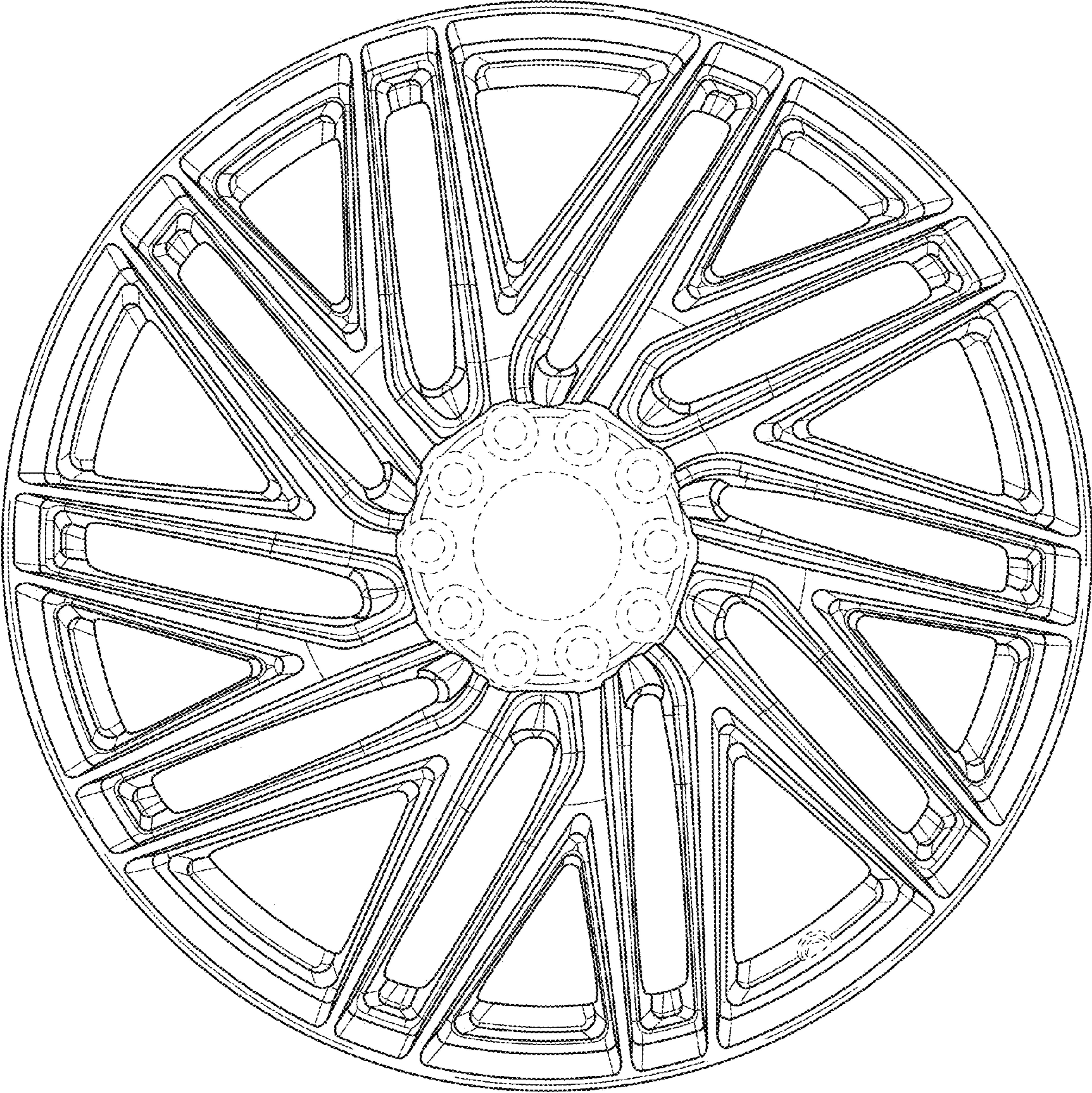


FIGURE 4