



US00D942915S

(12) **United States Design Patent**  
**Lickliter**

(10) **Patent No.:** **US D942,915 S**

(45) **Date of Patent:** **\*\* Feb. 8, 2022**

(54) **WHEEL**

(71) Applicant: **Wheel Pros, LLC**, Greenwood Village, CO (US)

(72) Inventor: **Hans Lickliter**, Canyon Country, CA (US)

(\*\*) Term: **15 Years**

(21) Appl. No.: **29/754,863**

(22) Filed: **Oct. 15, 2020**

(51) **LOC (13) Cl.** ..... **12-16**

(52) **U.S. Cl.**  
USPC ..... **D12/209**

(58) **Field of Classification Search**

USPC ..... D12/204-213; D21/563  
CPC .... B60B 7/00; B60B 7/02; B60B 7/04; B60B 7/01; B60B 7/06; B60B 3/02; B60B 3/04; B60B 3/06; B60B 3/10; B60B 1/00; B60B 1/08; B60B 1/10; B60B 1/12

See application file for complete search history.

D504,859 S	5/2005	Sulahian	
D505,374 S	5/2005	Aleman	
D510,307 S	10/2005	Howes	
D523,797 S	6/2006	Gallert	
D524,212 S	7/2006	Phillips	
D524,220 S	7/2006	Scheu	
D524,315 S	7/2006	Reusing et al.	
D528,495 S	9/2006	Truebsbach	
D542,209 S	5/2007	Pfeiffer	
D549,148 S	8/2007	Buschmann	
D569,777 S	5/2008	Chung	
D577,650 S	9/2008	Chung	
D579,845 S	11/2008	Chung	
D582,831 S	12/2008	Musser	
D596,009 S	7/2009	Sawhney et al.	
D598,357 S	8/2009	Chung	
D617,723 S	6/2010	Zhao	
D623,109 S	9/2010	Markefka	
D635,903 S	4/2011	Zhang	
D654,007 S	2/2012	Nissl	
D654,420 S	2/2012	Guay	
D660,771 S	5/2012	Mueller-Stolz	
D669,009 S	10/2012	Chung	
D680,940 S *	4/2013	Hale, Jr.	D12/211
D686,961 S	7/2013	Chung	
D686,963 S *	7/2013	Hale, Jr.	D12/211
D695,193 S	12/2013	Kong	

(Continued)

(56) **References Cited**

**U.S. PATENT DOCUMENTS**

D291,796 S	9/1987	Reid
D361,975 S	9/1995	Weld
D391,216 S	2/1998	Ballmann
D408,775 S	4/1999	Shikado
D453,492 S	2/2002	Laengerer
D455,698 S	4/2002	Chung
D467,212 S	12/2002	Noriega
D470,094 S	2/2003	van Hooydonk
D480,036 S	9/2003	Laengerer
D482,996 S	12/2003	Sulahian
D492,925 S	7/2004	Fitzgerald
D496,317 S	9/2004	Kataoka
D499,684 S	12/2004	Cheng
D502,438 S	3/2005	Weld

*Primary Examiner* — Stacia A Cadmus

(74) *Attorney, Agent, or Firm* — Eric Hanscom

(57) **CLAIM**

The ornamental design for a wheel, as shown and described.

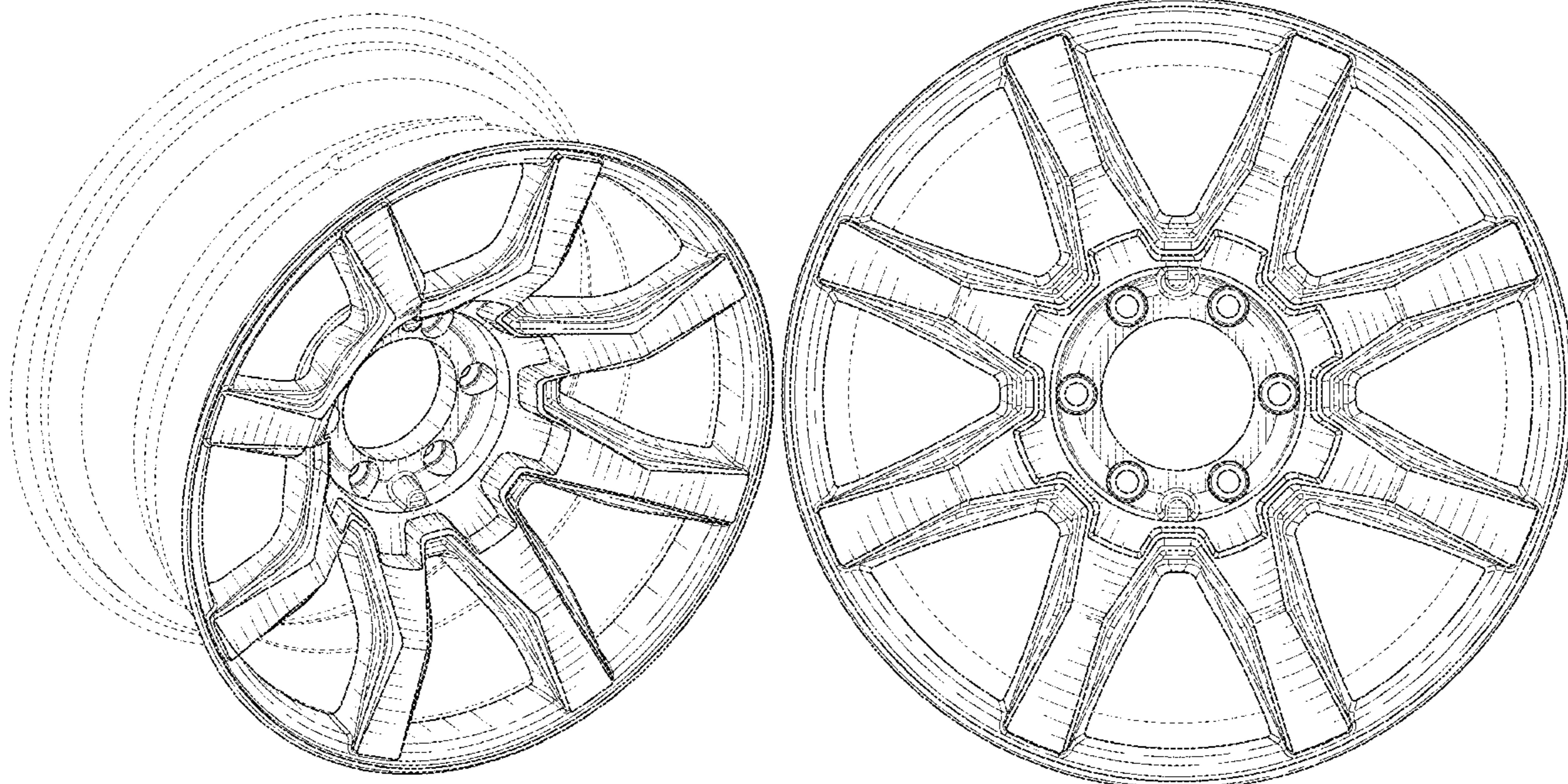
**DESCRIPTION**

FIG. 1 is a perspective view of a wheel showing my new design; and,

FIG. 2 is a front view thereof.

In the drawings the broken lines depict portions of the wheel that form no part of the claimed design.

**1 Claim, 2 Drawing Sheets**



(56)

References Cited

U.S. PATENT DOCUMENTS

D698,298 S	1/2014	Cortes		D826,827 S	8/2018	Tran	
D698,300 S	1/2014	Chung		D833,360 S	11/2018	Kong	
D702,172 S	4/2014	Chung		D835,023 S	12/2018	Tran	
D704,117 S	5/2014	Chung		D838,223 S	1/2019	Chung	
D704,617 S	5/2014	Chung		D840,900 S	2/2019	Lickliter	
D706,197 S	6/2014	Chung		D840,901 S	2/2019	Lickliter	
D707,167 S	6/2014	Chung		D840,902 S	2/2019	Lickliter	
D709,020 S	7/2014	Chung		D849,655 S	5/2019	Kong	
D712,334 S *	9/2014	Hale, Jr.	..... D12/211	D850,349 S	6/2019	Lickliter	
D713,316 S	9/2014	Song		D852,706 S	7/2019	Tran	
D714,207 S	9/2014	Kim		D857,580 S *	8/2019	Liffick	..... D12/209
D717,709 S	11/2014	Valencia Pollex		D860,899 S	9/2019	Lickliter	
D719,496 S *	12/2014	Johnson	..... D12/209	D860,900 S	9/2019	Lickliter	
D719,893 S	12/2014	Kim		D860,901 S	9/2019	Lickliter	
D731,946 S	6/2015	Chung		D862,341 S	10/2019	Kong	
D742,293 S	11/2015	Chung		D865,615 S *	11/2019	Tran	..... D12/209
D753,046 S	4/2016	Liffick		D883,893 S *	5/2020	Johnson	..... D12/211
D756,882 S	5/2016	Tirado		D889,365 S *	7/2020	Han	..... D12/209
D766,805 S	9/2016	Chung		D893,386 S	8/2020	Chung	
D769,785 S	10/2016	Wells		D896,729 S	9/2020	Chung	
D780,655 S	3/2017	Trim		D897,926 S *	10/2020	Chung	..... D12/209
D798,786 S	10/2017	Chung		D899,999 S	10/2020	Kong	
D798,789 S	10/2017	Kong		D904,271 S	12/2020	Henderson	
D799,395 S	10/2017	Chung		D904,272 S	12/2020	Lickliter	
D799,398 S *	10/2017	Liffick	..... D12/211	D906,927 S *	1/2021	Ma	..... D12/209
D800,633 S	10/2017	Kong		D909,272 S *	2/2021	Chung	..... D12/209
D802,512 S	11/2017	Kong		D910,525 S	2/2021	Tran	
D805,454 S	12/2017	Kong		D911,245 S	2/2021	Chung	
D805,455 S	12/2017	Kong		D912,589 S	3/2021	Hale, Jr.	
D807,805 S	1/2018	Caldwell		D912,591 S *	3/2021	Tran	..... D12/209
D808,876 S	1/2018	Caldwell		D918,810 S	5/2021	Lickliter	
D817,245 S *	5/2018	Chung	..... D12/209	D920,879 S *	6/2021	Hale, Jr.	..... D12/209
D817,845 S	5/2018	Guidry		D922,928 S	6/2021	Kong	
D821,284 S	6/2018	Tran		D925,428 S *	7/2021	Han	..... D12/209
D824,316 S	7/2018	Tran		D927,386 S	8/2021	Lickliter	
				D928,058 S *	8/2021	Han	..... D12/209
				D928,061 S *	8/2021	Han	..... D12/209

\* cited by examiner

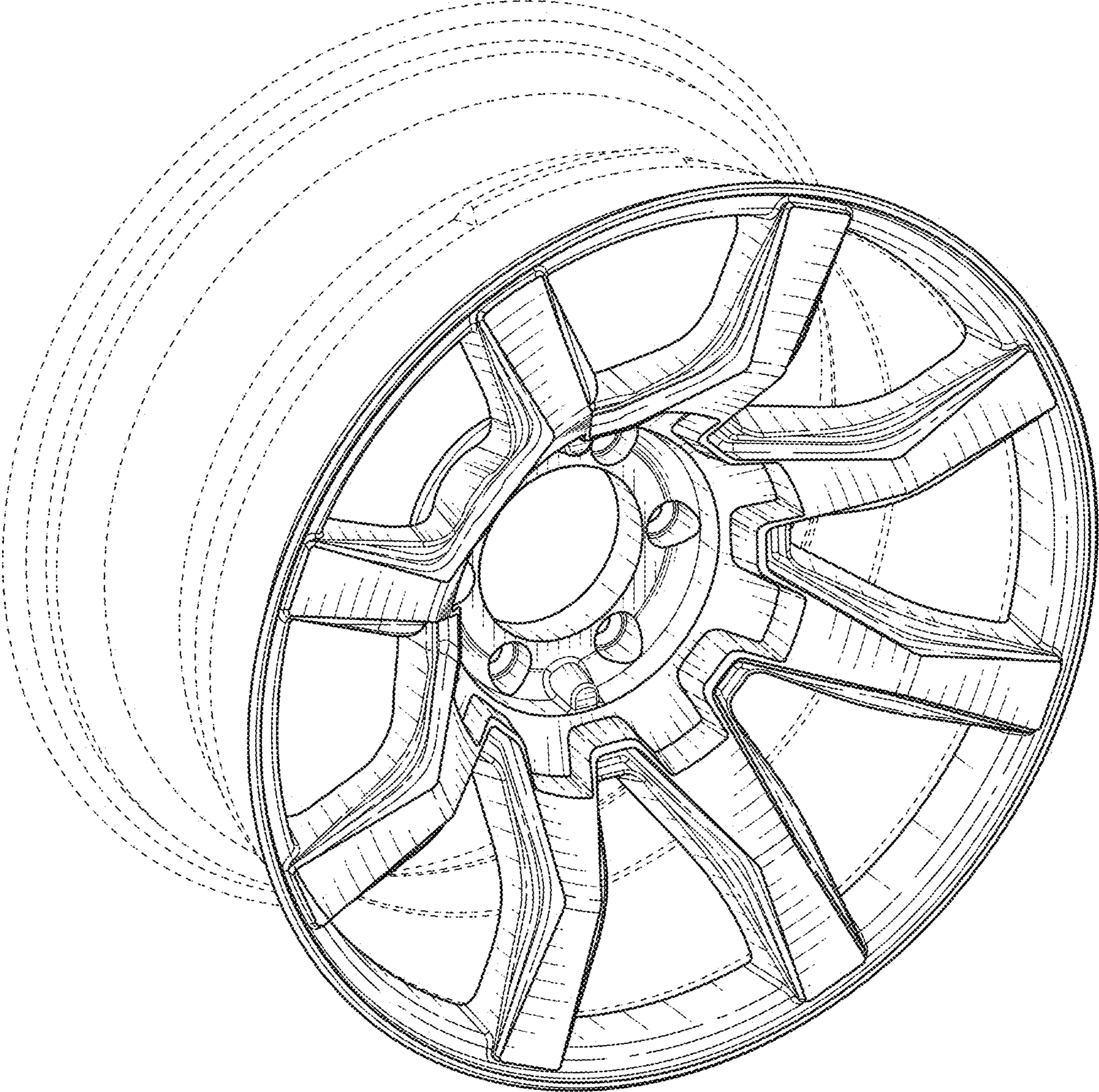


FIG. 1

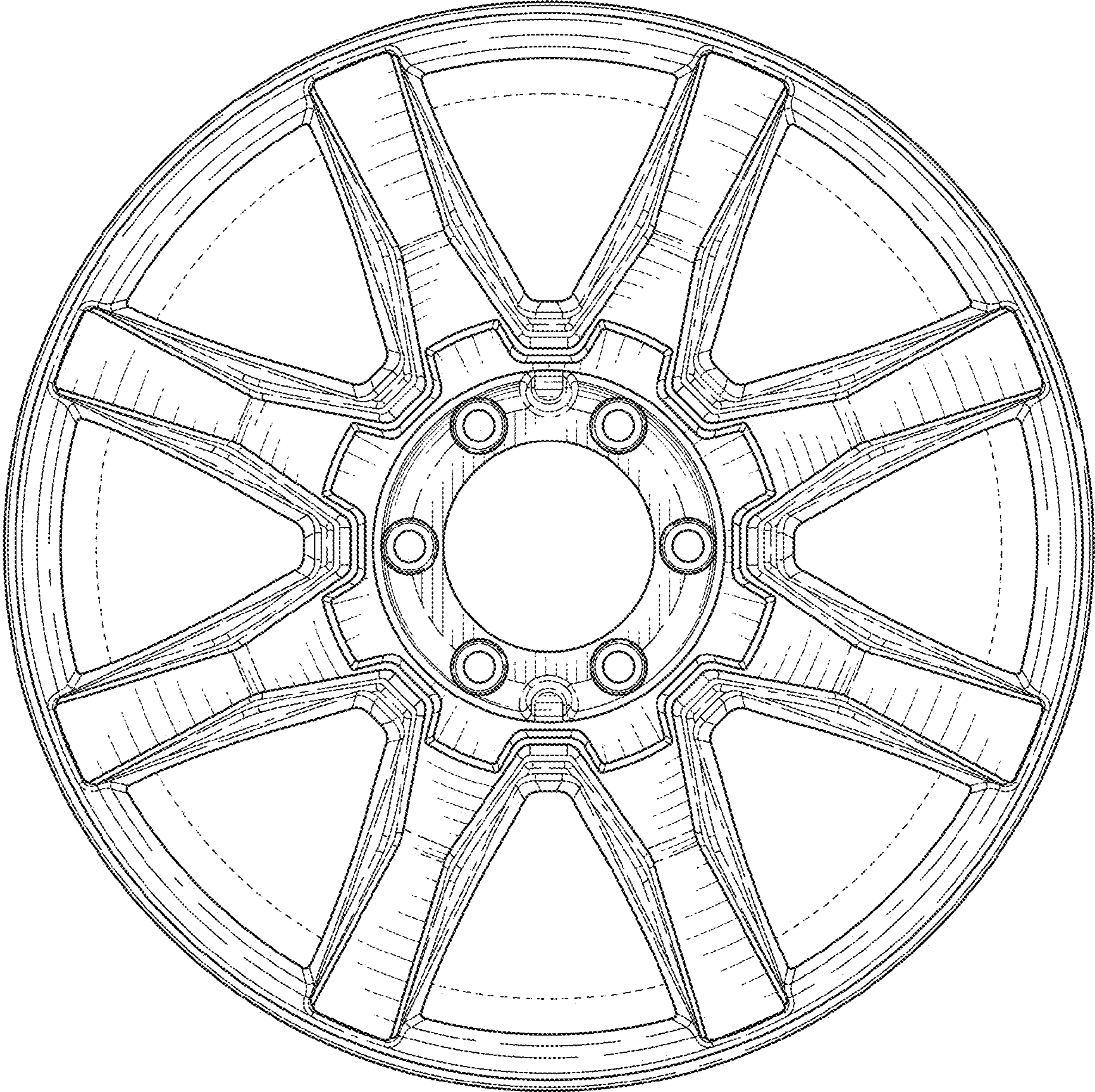


FIG. 2