



US00D942914S

(12) **United States Design Patent**
Lee

(10) **Patent No.:** **US D942,914 S**

(45) **Date of Patent:** **** Feb. 8, 2022**

(54) **AUTOMOTIVE WHEEL**

(71) Applicant: **MKW Alloy, Inc.**, City of Industry, CA (US)

(72) Inventor: **Kevin Lee**, Yorba Linda, CA (US)

(73) Assignee: **MKW ALLOY, INC.**, City of Industry, CA (US)

(**) Term: **15 Years**

(21) Appl. No.: **29/702,918**

(22) Filed: **Aug. 22, 2019**

(51) **LOC (13) Cl.** **12-16**

(52) **U.S. Cl.**
USPC **D12/209**

(58) **Field of Classification Search**
USPC D12/204–213; D21/563
CPC B60B 7/00; B60B 7/02; B60B 7/04; B60B 7/01; B60B 7/06; B60B 3/02; B60B 3/04; B60B 3/06; B60B 3/10; B60B 1/00; B60B 1/08; B60B 1/10; B60B 1/12
See application file for complete search history.

(56) **References Cited**

U.S. PATENT DOCUMENTS

D620,862 S *	8/2010	Pollmann	D12/209
D663,668 S *	7/2012	Pollmann	D12/209
D673,099 S *	12/2012	Ender	D12/211
D689,421 S *	9/2013	Wachter	D12/211
D715,720 S *	10/2014	Ender	D12/211

D722,935 S *	2/2015	Dingle	D12/209
D743,315 S *	11/2015	Perini	D12/209
D755,690 S *	5/2016	von Tardy-Tuch	D12/209
D764,367 S *	8/2016	Gallert	D12/209
D780,654 S *	3/2017	Gallert	D12/204
D780,658 S *	3/2017	Welte	D12/211
D828,799 S *	9/2018	Zschocke	D12/209
D829,151 S *	9/2018	Chung	D12/209
D844,527 S *	4/2019	Lickliter	D12/209
D848,340 S *	5/2019	Kraljevic	D12/209
D851,005 S *	6/2019	Hodges	D12/209
D853,306 S *	7/2019	Han	D12/211
D860,898 S *	9/2019	Han	D12/209
D889,348 S *	7/2020	Buck	D12/209
D908,060 S *	1/2021	Mukti	D12/209
D915,976 S *	4/2021	Schmolz	D12/209
D918,114 S *	5/2021	Scheinhutte	D12/209
D921,555 S *	6/2021	Qin	D12/209
D922,297 S *	6/2021	Qin	D12/209

* cited by examiner

Primary Examiner — Stacia A Cadmus

(74) *Attorney, Agent, or Firm* — Ahn IP Law

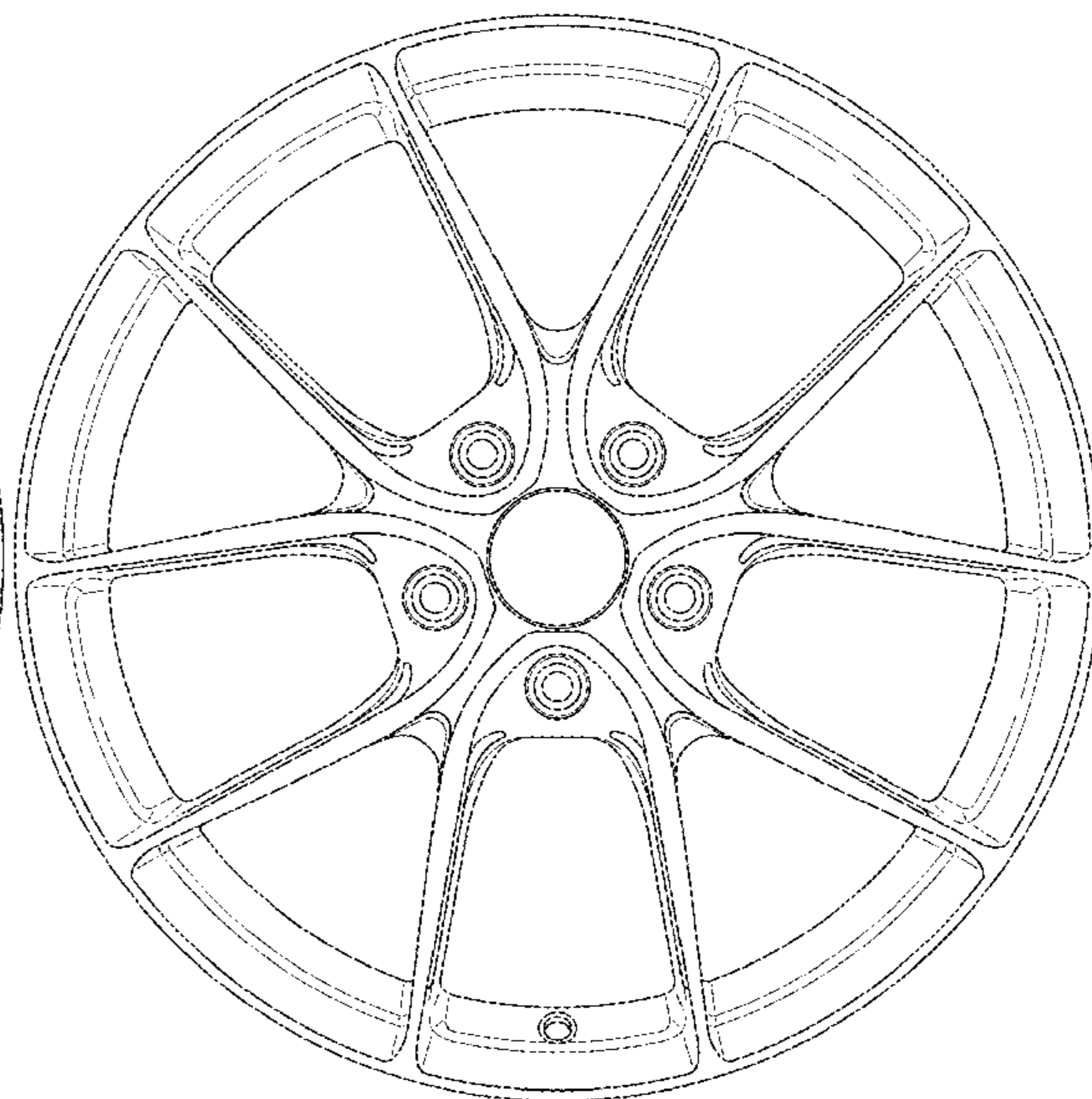
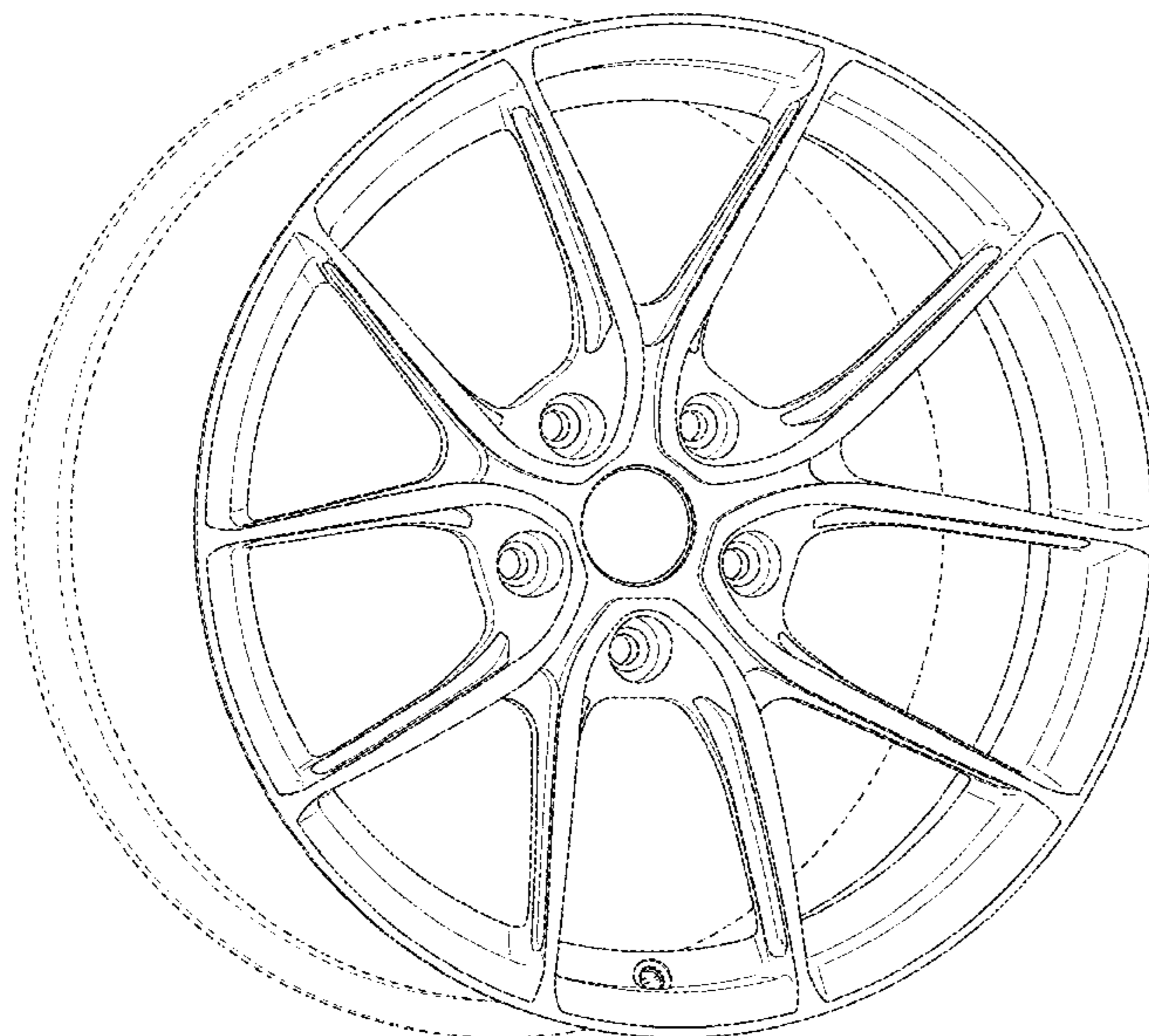
(57) **CLAIM**

The ornamental design for an automotive wheel, as shown and described.

DESCRIPTION

FIG. 1 is a perspective view of an automotive wheel; and, FIG. 2 is a front view of the automotive wheel. In the drawings the broken lines depict portions of the wheel that form no part of the claimed design.

1 Claim, 2 Drawing Sheets



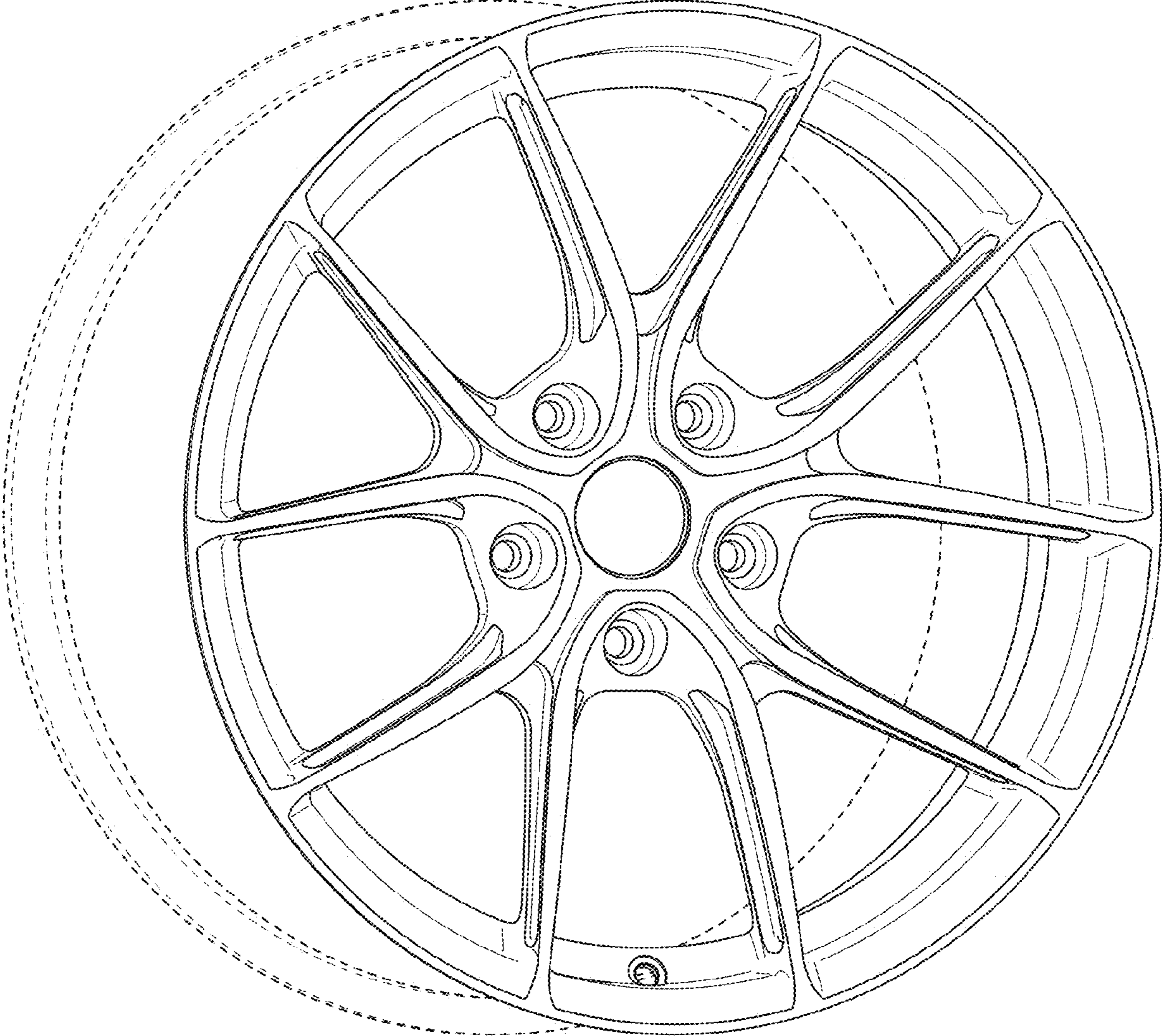


FIG. 1

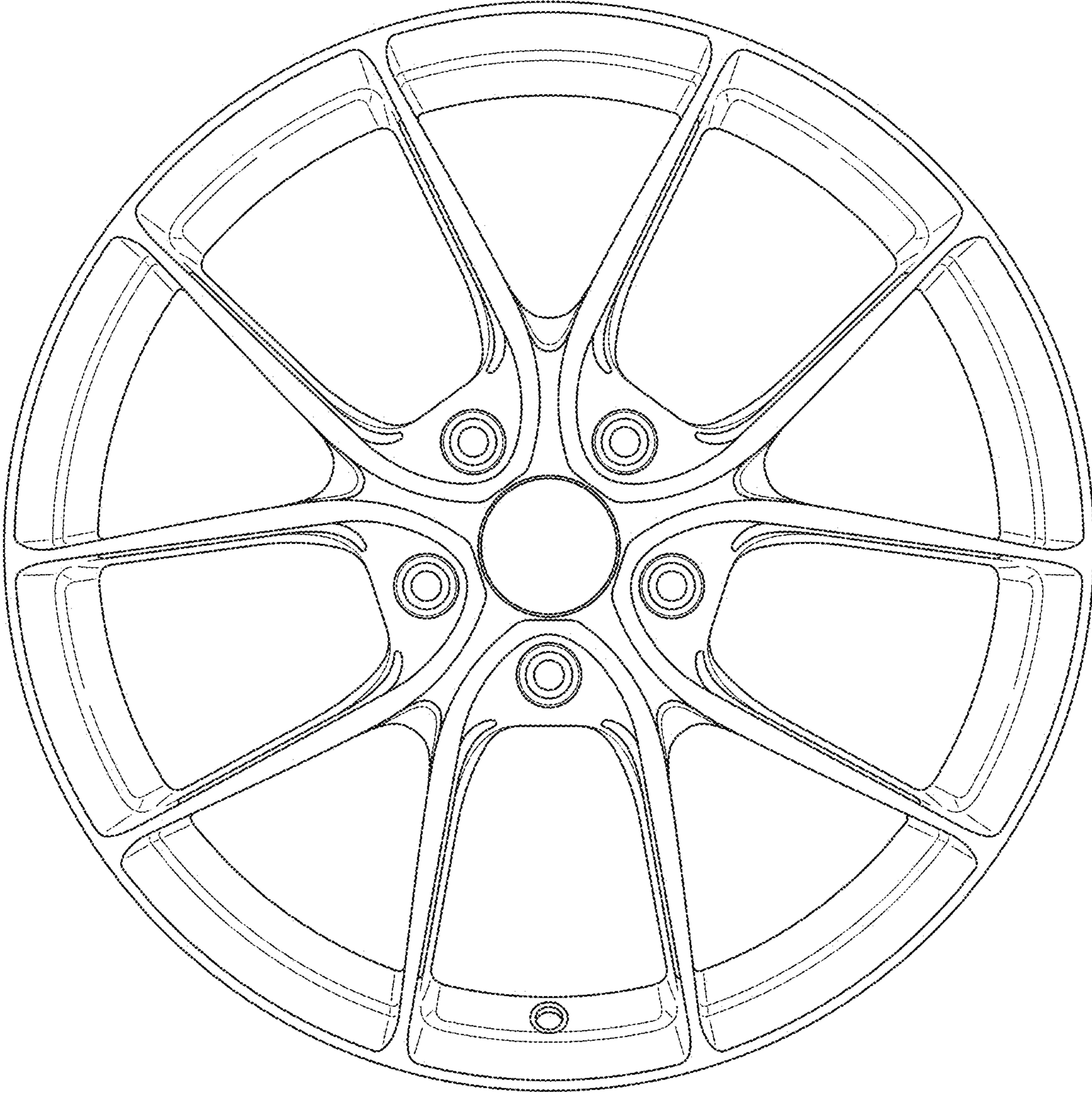


FIG. 2