



US00D942913S

(12) **United States Design Patent**
Williams

(10) **Patent No.:** **US D942,913 S**

(45) **Date of Patent:** **** *Feb. 8, 2022**

- (54) **WHEEL FRONT FACE**
- (71) Applicant: **WHEEL GROUP HOLDINGS, LLC**,
Ontario (CA)
- (72) Inventor: **David A Williams**, Chino Hills, CA
(US)
- (73) Assignee: **WHEEL GROUP HOLDINGS, LLC**,
Ontario, CA (US)
- (*) Notice: This patent is subject to a terminal disclaimer.
- (**) Term: **15 Years**
- (21) Appl. No.: **29/679,309**
- (22) Filed: **Feb. 4, 2019**
- (51) **LOC (13) Cl.** **12-16**
- (52) **U.S. Cl.**
USPC **D12/209**
- (58) **Field of Classification Search**
USPC D12/204–213; D21/563
CPC B60B 7/00; B60B 7/02; B60B 7/04; B60B
7/01; B60B 7/06; B60B 3/02; B60B 3/04;
B60B 3/06; B60B 3/10; B60B 1/00;
B60B 1/08; B60B 1/10; B60B 1/12
See application file for complete search history.

(56) **References Cited**

U.S. PATENT DOCUMENTS

D547,251 S *	7/2007	Baum	D12/209
D714,202 S *	9/2014	Kim	D12/209
D714,707 S *	10/2014	Chung	D12/211
D726,621 S *	4/2015	Alfonso	D12/209
D735,630 S *	8/2015	Swaneger	D12/209
D758,274 S *	6/2016	Breyton	D12/209
D758,941 S *	6/2016	Zhao	D12/208
D760,142 S *	6/2016	Chu	D12/211
D772,132 S *	11/2016	Kong	D12/211

D787,413 S *	5/2017	Alfonso	D12/211
D795,775 S *	8/2017	Simpson	D12/211
D798,211 S *	9/2017	Chung	D12/209
D825,423 S *	8/2018	Henderson	D12/209
D826,819 S *	8/2018	Chung	D12/209
D830,931 S *	10/2018	Factor	D12/209
D830,934 S *	10/2018	Zhao	D12/209
D831,557 S *	10/2018	Hodges	D12/209
D840,895 S *	2/2019	Luo	D12/209
D842,188 S *	3/2019	Han	D12/209
D848,921 S *	5/2019	Lickliter	D12/209
D848,926 S *	5/2019	Tran	D12/209
D853,294 S *	7/2019	Han	D12/209
D853,295 S *	7/2019	Han	D12/209
D854,996 S *	7/2019	Chung	D12/209
D858,406 S *	9/2019	Johnson	D12/209
D860,904 S *	9/2019	Milani	D12/209
D865,622 S *	11/2019	Han	D12/209
D865,623 S *	11/2019	Han	D12/209
D865,624 S *	11/2019	Han	D12/209
D865,626 S *	11/2019	Han	D12/209
D870,627 S *	12/2019	Lu	D12/209
D871,295 S *	12/2019	Han	D12/209
D881,100 S *	4/2020	Liu	D12/209
D881,101 S *	4/2020	Liu	D12/209

(Continued)

Primary Examiner — Stacia A Cadmus

(74) *Attorney, Agent, or Firm* — Law Offices of S.J. Christine Yang

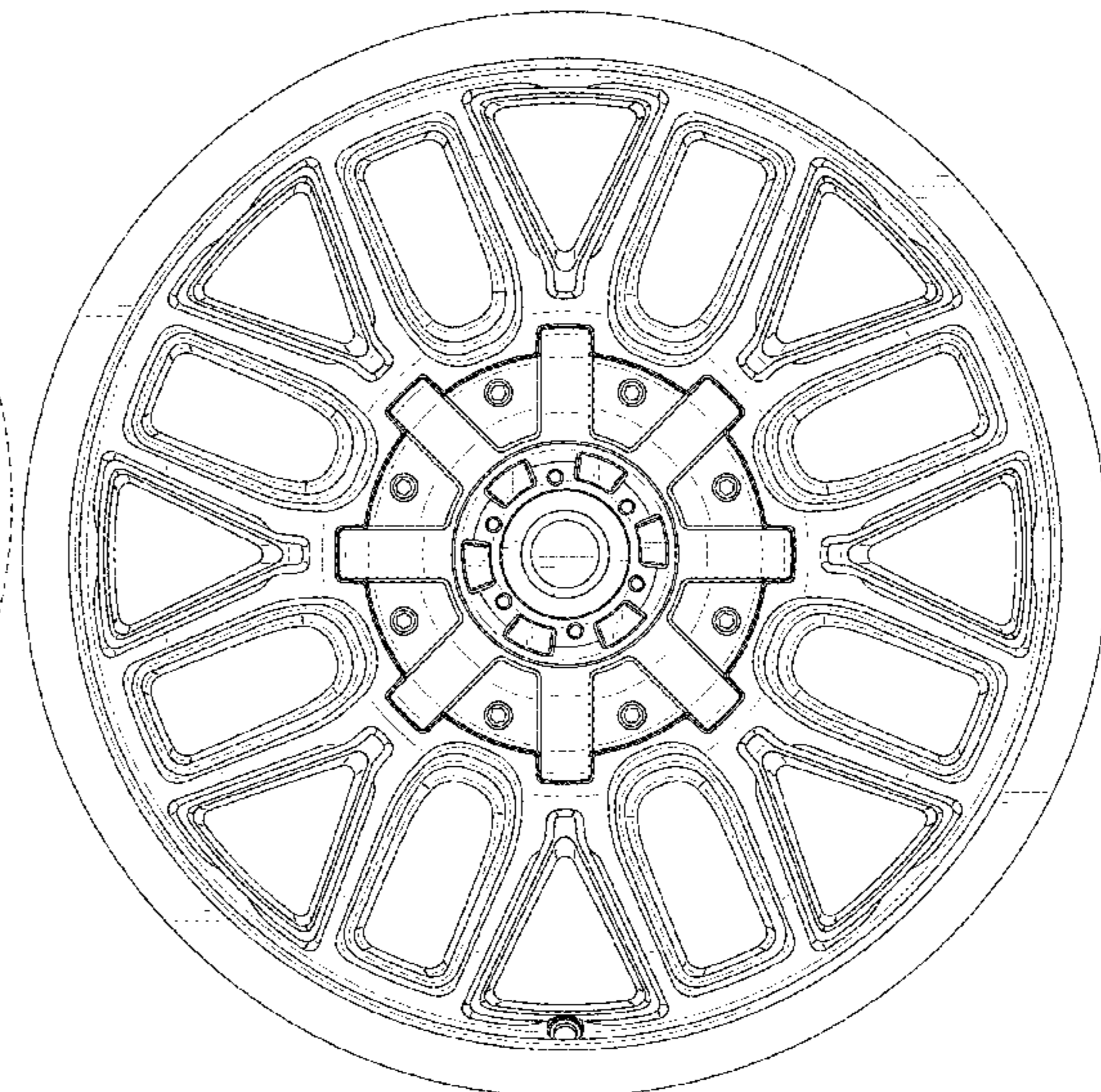
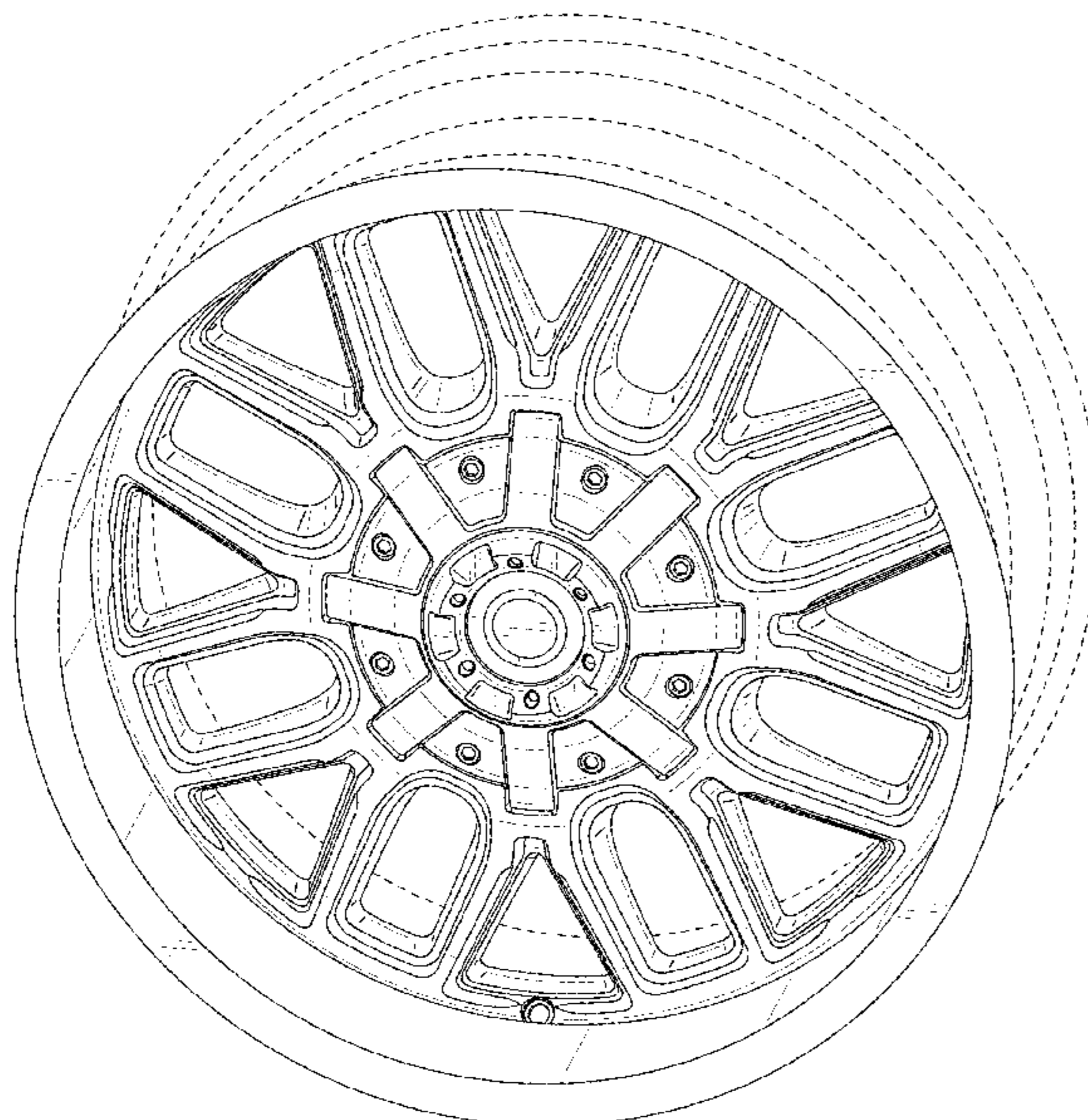
(57) **CLAIM**

The ornamental design for a wheel front face, as shown and described.

DESCRIPTION

FIG. 1 is a perspective view of a wheel front face, showing my new design;
FIG. 2 is a front view thereof; and,
FIG. 3 is a side view thereof.
In the drawings, the broken lines depict environmental subject matter and form no part of the claimed design.

1 Claim, 3 Drawing Sheets



(56)

References Cited

U.S. PATENT DOCUMENTS

D886,703 S *	6/2020	Williams	D12/209
D887,942 S *	6/2020	Han	D12/209
D889,357 S *	7/2020	Lee	D12/209
D892,017 S *	8/2020	Han	D12/209
D895,520 S *	9/2020	Badstuebner	D12/211

* cited by examiner

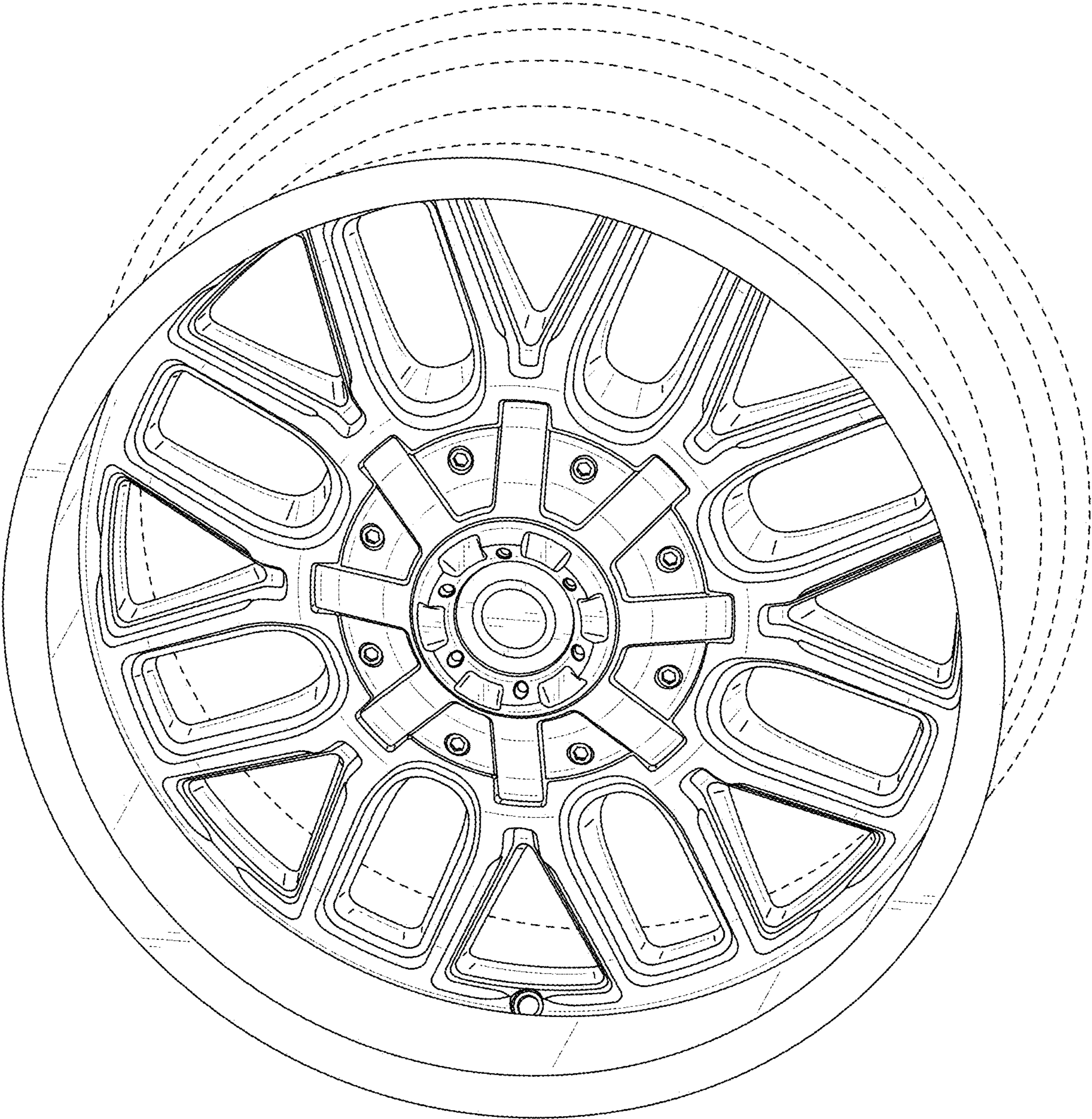


FIG. 1

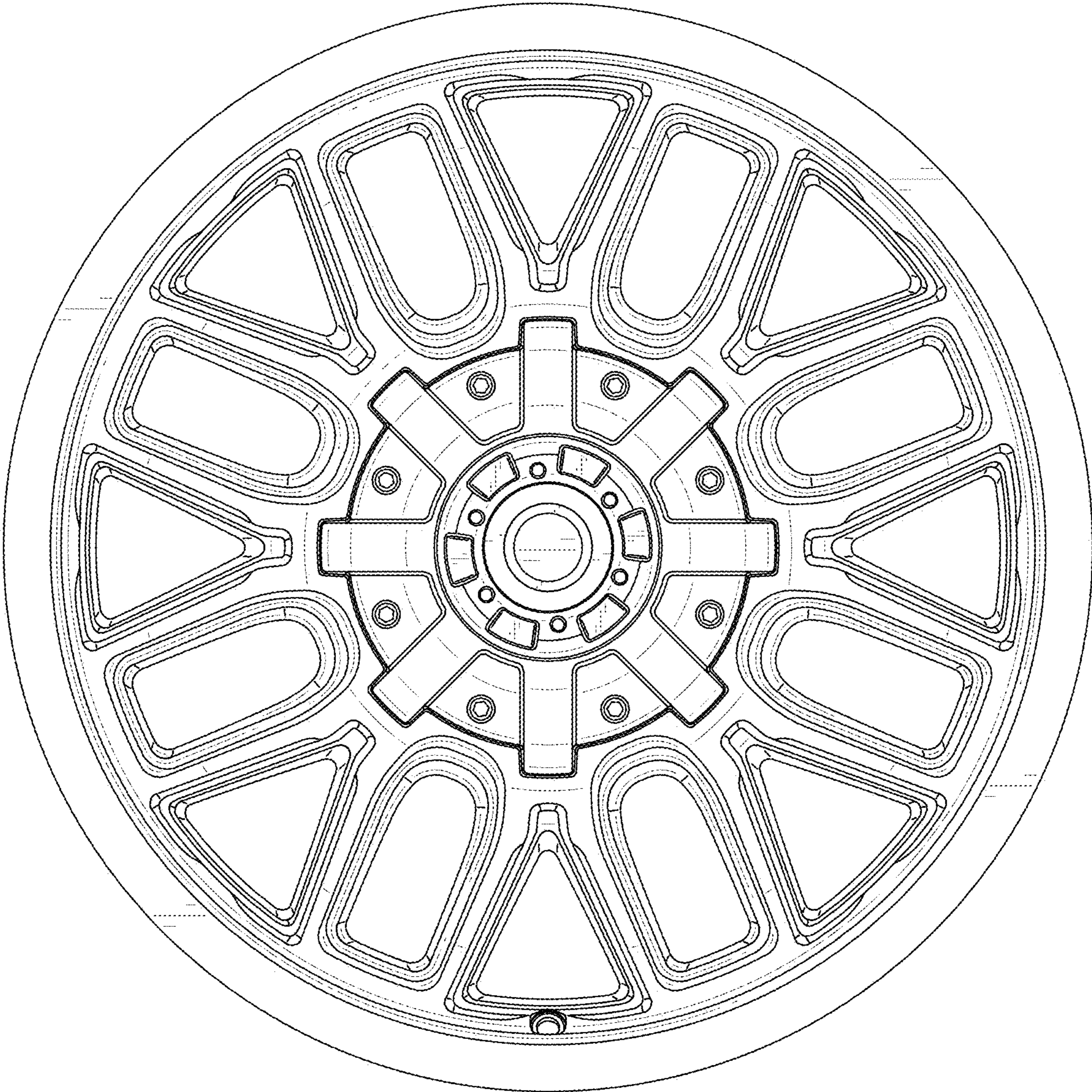


FIG. 2

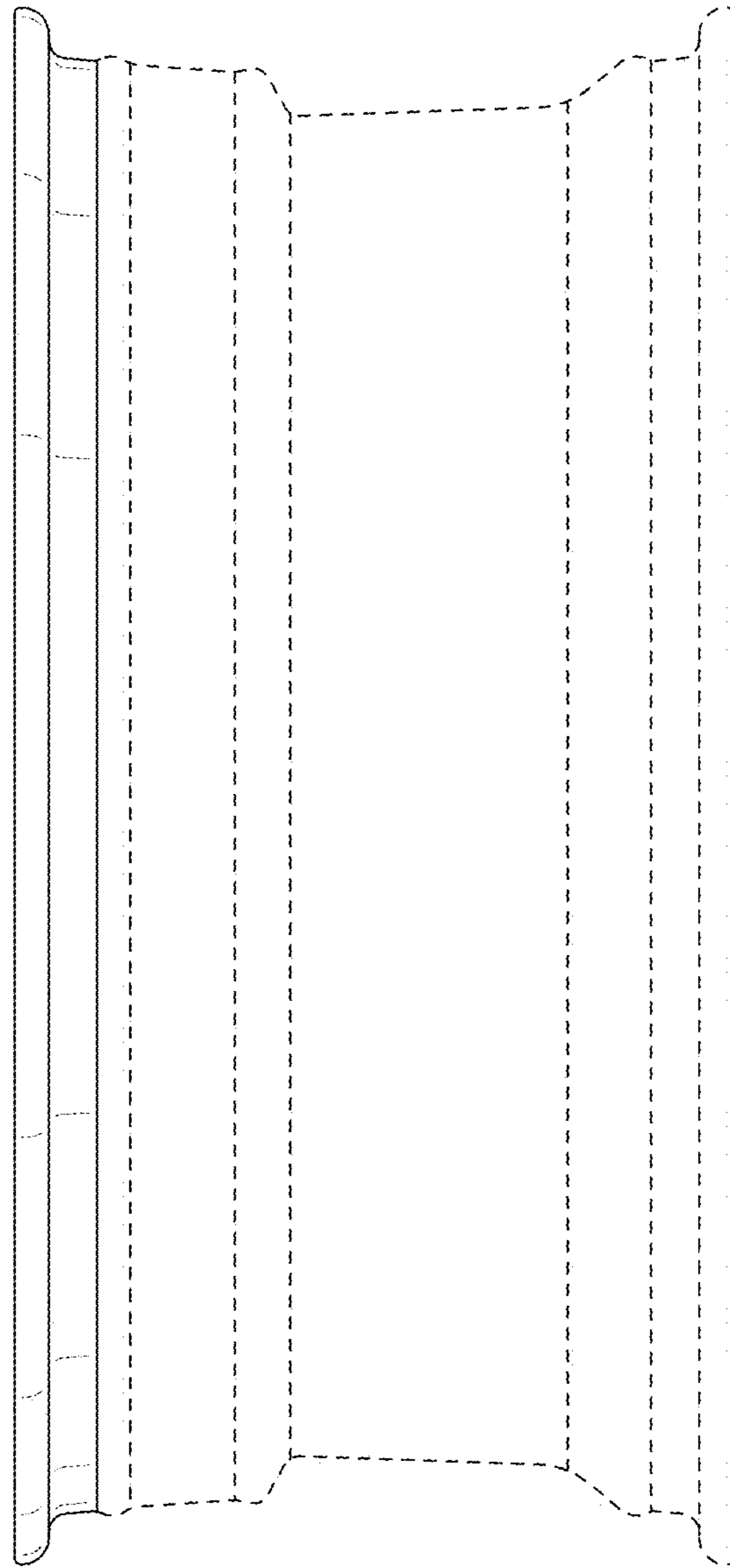


FIG. 3