



US00D942907S

(12) **United States Design Patent**  
**Zhang**

(10) **Patent No.:** **US D942,907 S**

(45) **Date of Patent:** **\*\* Feb. 8, 2022**

(54) **CAR CALIPER COVER**

(71) Applicant: **Jianping Zhang**, Shanghai (CN)

(72) Inventor: **Jianping Zhang**, Shanghai (CN)

(\*\*) Term: **15 Years**

(21) Appl. No.: **29/749,275**

(22) Filed: **Sep. 3, 2020**

(30) **Foreign Application Priority Data**

Mar. 3, 2020 (CN) ..... 202030067814.3

(51) **LOC (13) Cl.** ..... **12-16**

(52) **U.S. Cl.**  
USPC ..... **D12/180**

(58) **Field of Classification Search**  
USPC ..... D12/114, 122, 123, 126, 127, 160, 180  
CPC ..... F16D 65/128; F16D 65/12; F16D 65/123;  
F16D 65/127; F16D 2065/1328; B22C  
9/00; C23C 4/067

See application file for complete search history.

(56) **References Cited**

**U.S. PATENT DOCUMENTS**

D603,767 S *	11/2009	Crippa	.....	D12/180
D630,141 S *	1/2011	Chen	.....	D12/180
D739,319 S *	9/2015	Montgomery	.....	D12/180
D804,375 S *	12/2017	Crippa	.....	D12/180
D816,002 S *	4/2018	Crippa	.....	D12/180
D840,301 S *	2/2019	Bonetti	.....	D12/180
D842,782 S *	3/2019	Verdelli	.....	D12/180
D851,566 S *	6/2019	Nessi	.....	D12/180
D861,559 S *	10/2019	Scotti	.....	D12/180
D862,327 S *	10/2019	Scotti	.....	D12/180
D864,062 S *	10/2019	Preda	.....	D12/180
D864,808 S *	10/2019	Crippa	.....	D12/180
D864,809 S *	10/2019	Puddu	.....	D12/180
D865,594 S *	11/2019	Honzawa	.....	D12/180
D868,654 S *	12/2019	Thorpe	.....	D12/180
D868,655 S *	12/2019	Thorpe	.....	D12/180

D877,673 S *	3/2020	Oku	.....	D12/180
D892,007 S *	8/2020	Scotti	.....	D12/180
D902,097 S *	11/2020	Ock	.....	D12/180
10,844,917 B2 *	11/2020	Igawa	.....	F16D 55/228
D918,107 S *	5/2021	Zhang	.....	D12/180
D931,171 S *	9/2021	Nessi	.....	D12/180

(Continued)

**FOREIGN PATENT DOCUMENTS**

WO WOD202979-001 \* 10/2019

**OTHER PUBLICATIONS**

“Wilwood D-52 and D-154 Performance Caliper” Wilwood., posted date Aug. 25, 2020 [online], [retrieved on Oct. 7, 2021]. Retrieved from the Internet <URL:https://www.buybrakes.com/brake-calipers/wilwood-d-52-and-d-154-performance-caliper-kits> (Year: 2020).\*

(Continued)

*Primary Examiner* — Darlington Ly

*Assistant Examiner* — Nasim Abdulaziz Ali

(74) *Attorney, Agent, or Firm* — Bayramoglu Law Offices LLC

(57) **CLAIM**

The ornamental design for a car caliper cover, as shown and described.

**DESCRIPTION**

FIG. 1 is a front elevational view of a car caliper cover showing my new design;

FIG. 2 is a rear elevational view thereof;

FIG. 3 is a left side elevational view thereof;

FIG. 4 is a right side elevational view thereof;

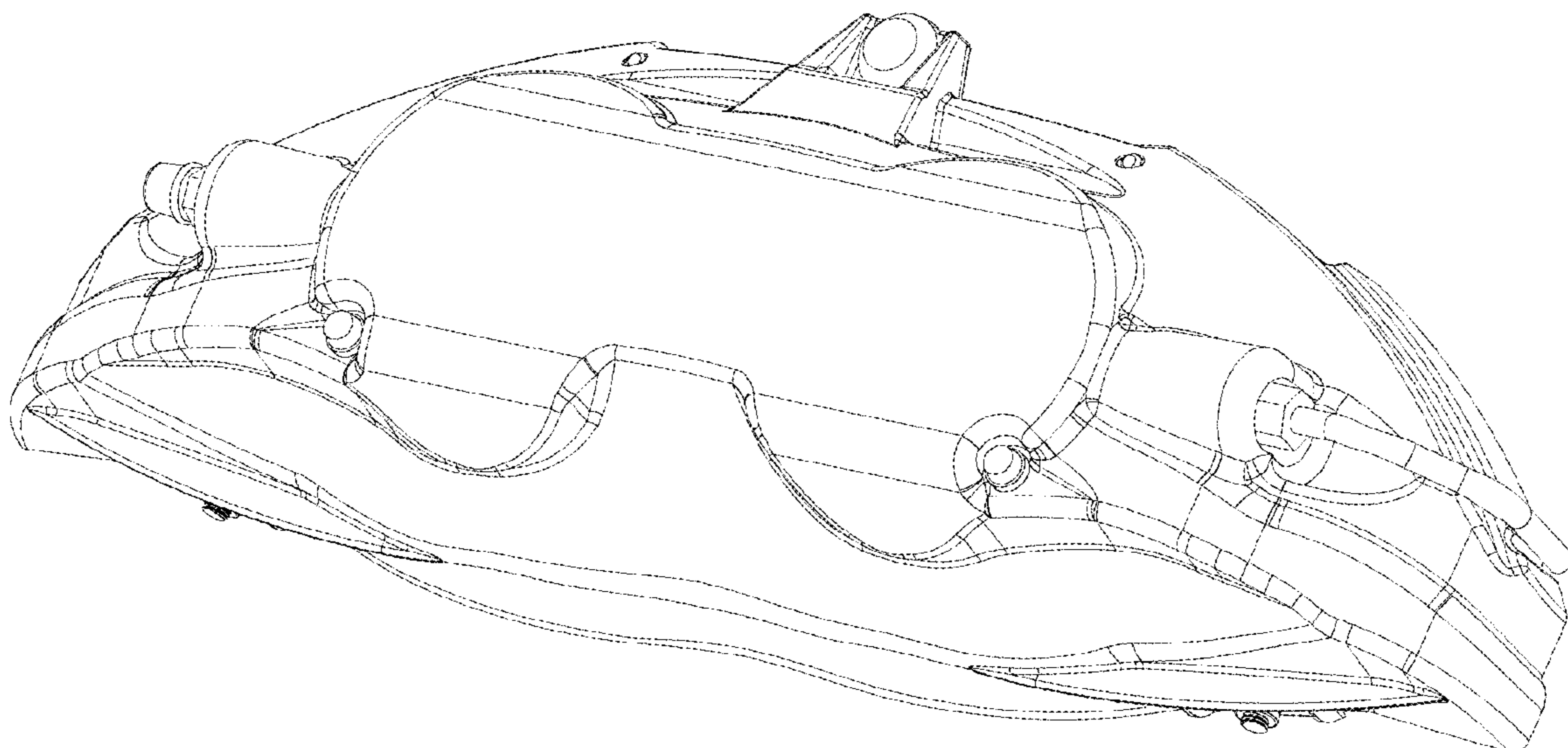
FIG. 5 is a top plan view thereof;

FIG. 6 is a bottom plan view thereof;

FIG. 7 is a front perspective view thereof; and,

FIG. 8 is a rear perspective view thereof.

**1 Claim, 8 Drawing Sheets**



(56)

**References Cited**

U.S. PATENT DOCUMENTS

2016/0053835 A1\* 2/2016 Castellana ..... F16D 55/228  
188/72.4  
2020/0080601 A1\* 3/2020 Liao ..... F16D 65/0978  
2021/0317887 A1\* 10/2021 Zhang ..... F16D 65/0081

OTHER PUBLICATIONS

“EBC®—Apollo Series Brake Calipers” EBC., posted date Oct. 16, 2016 [online], [retrieved on Oct. 7, 2021]. Retrieved from the Internet <URL:https://www.carid.com/ebc-brakes/ebc-apollo-series-brake-calipers.html?urlId=209662> (Year: 2016).\*

“GM 7 Front Driver Side Disc Brake Caliper” ACDelco., posted date Oct. 10, 2007 [online], [retrieved on Oct. 7, 2021]. Retrieved from the Internet <URL:https://www.amazon.com/ACDelco-172-2287-Original-Equipment-Assembly/dp/B0010GOHP6/ref=psdc\_46212011\_12\_B01K8BWCUG> (Year: 2007).\*

\* cited by examiner

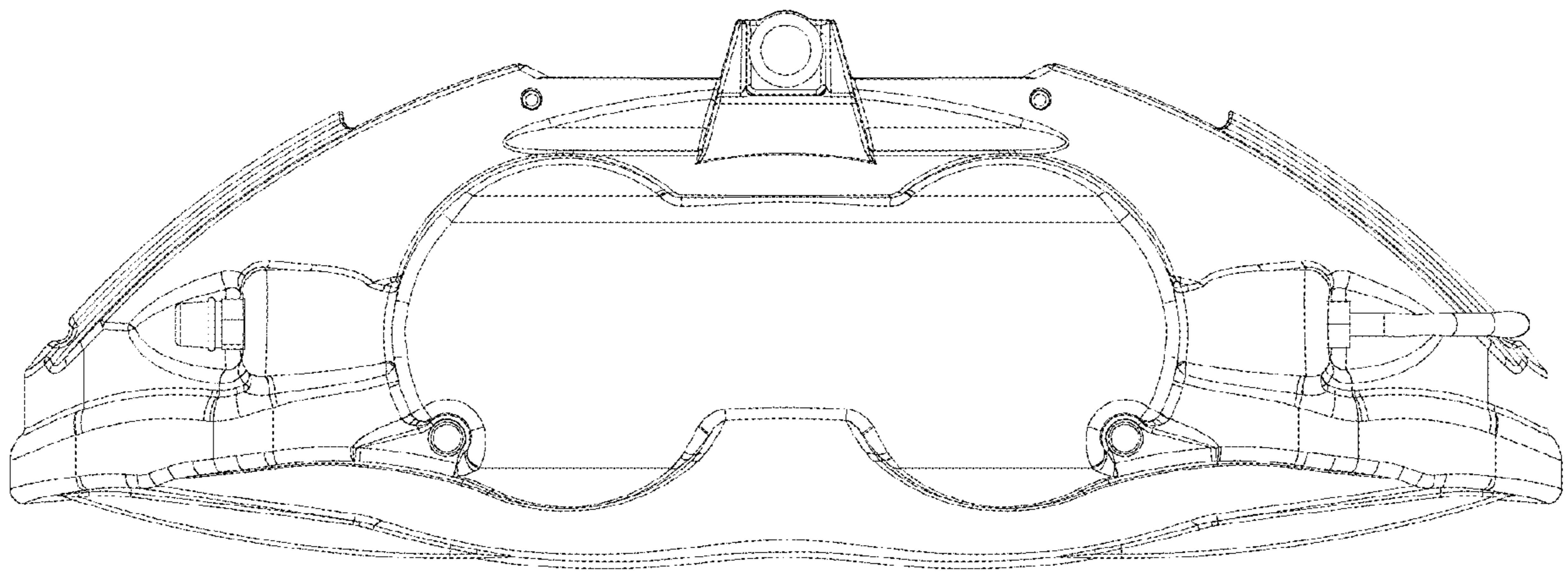


FIG. 1

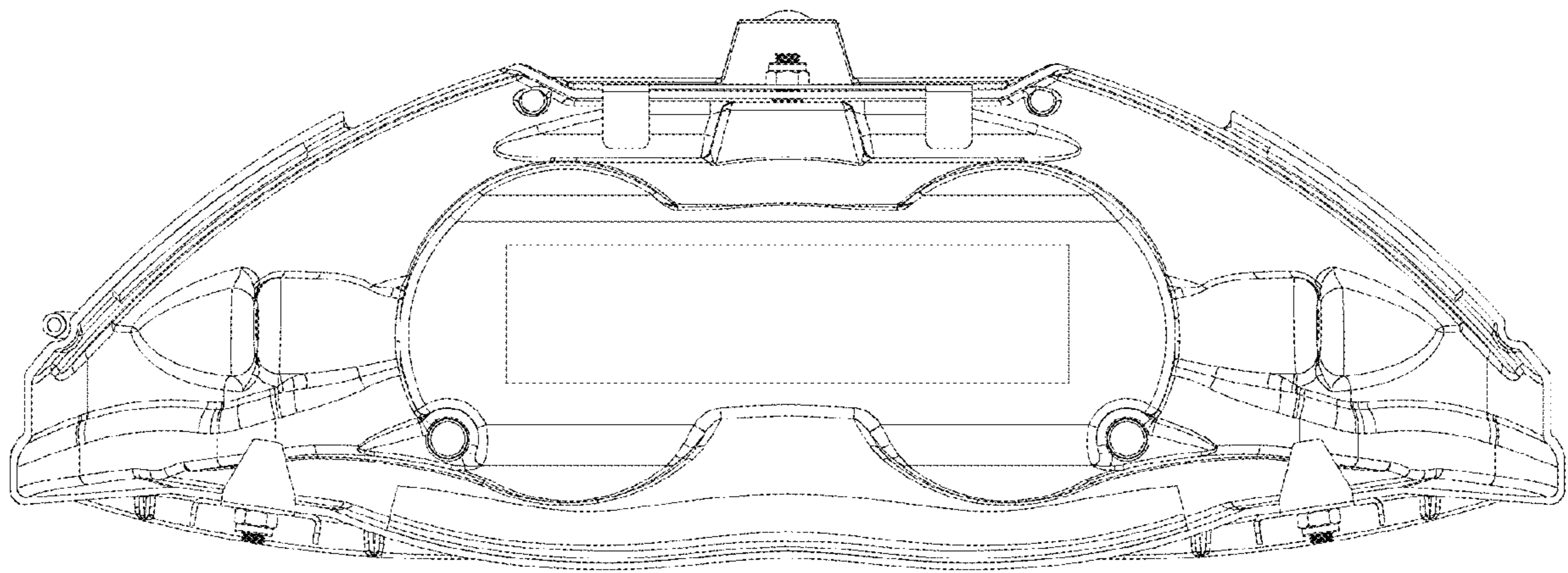


FIG. 2



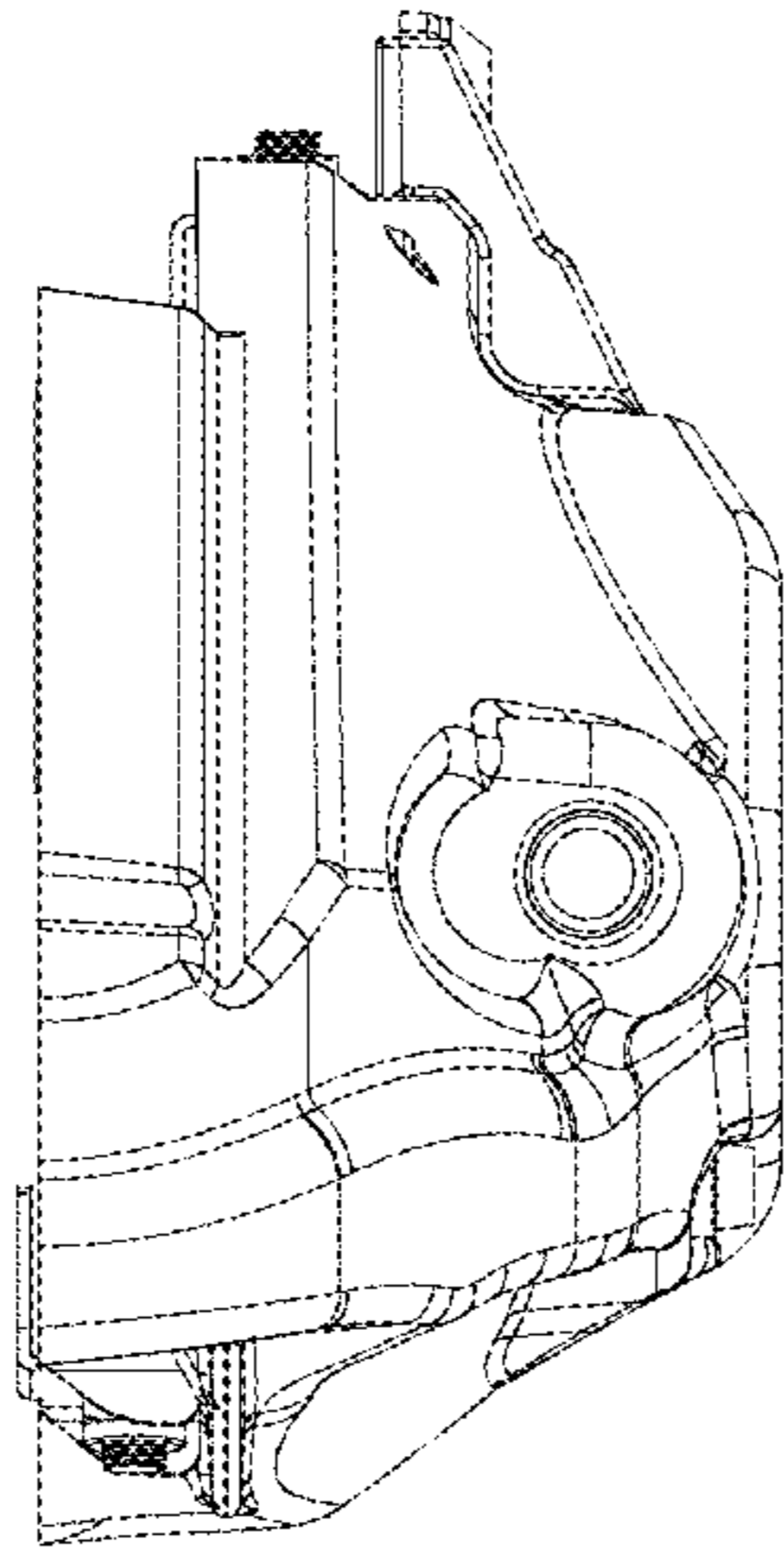


FIG. 3

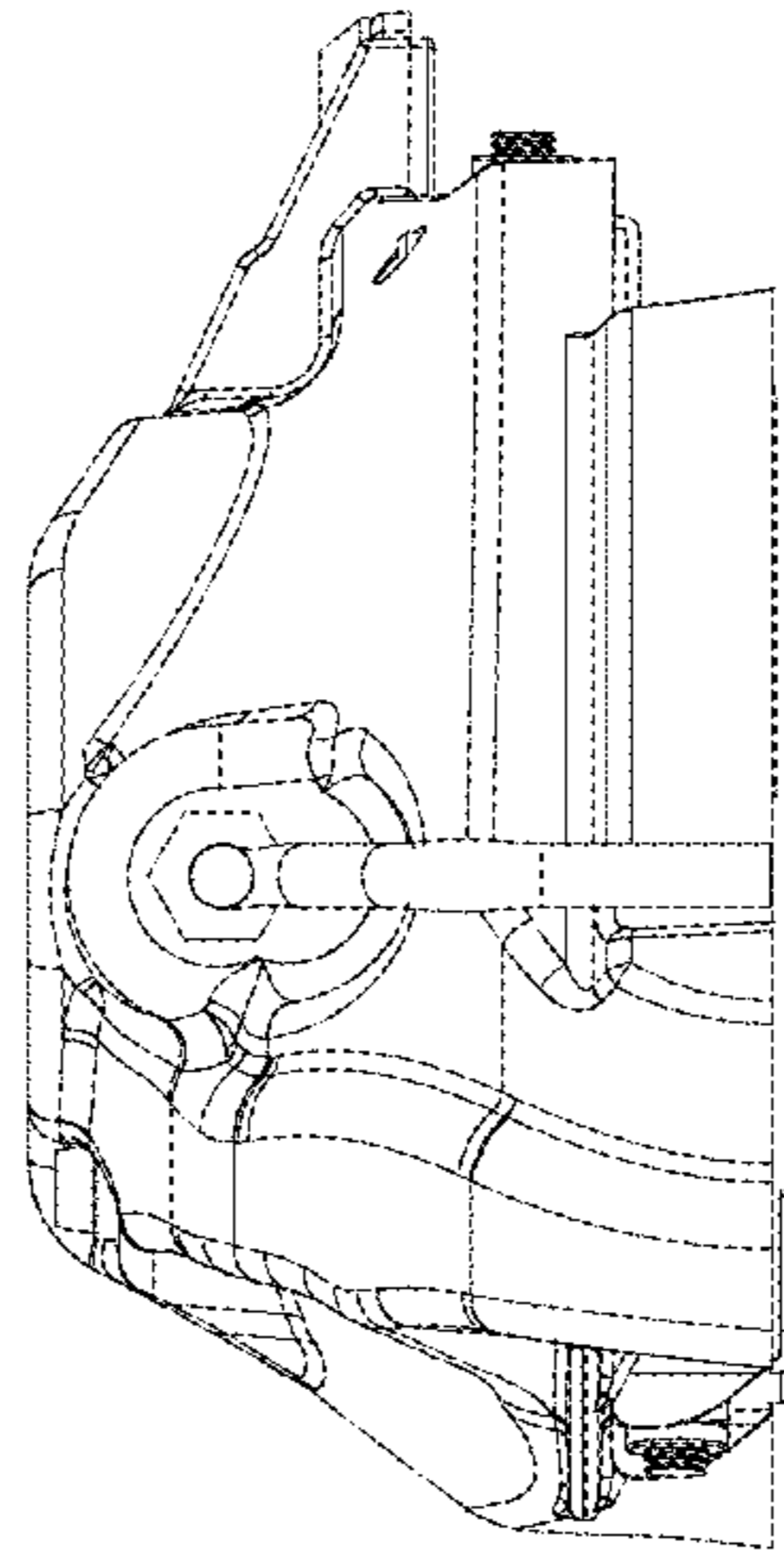


FIG. 4

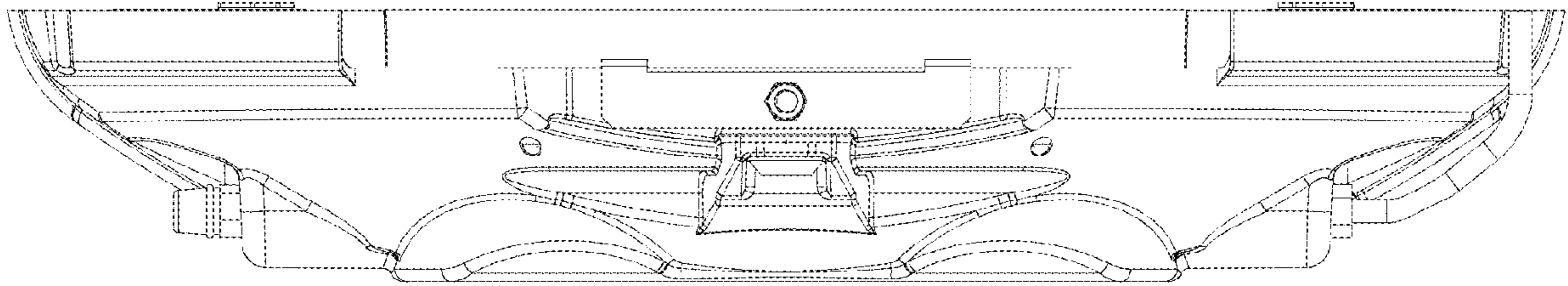


FIG. 5

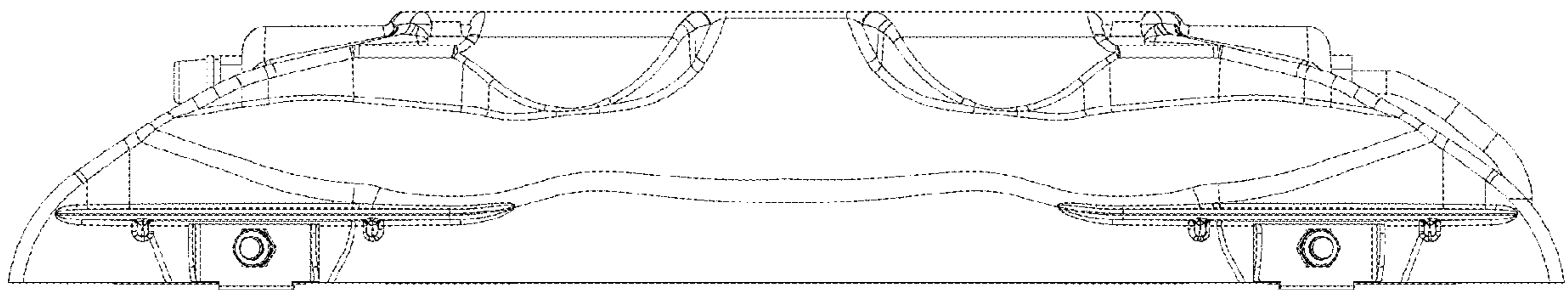


FIG. 6



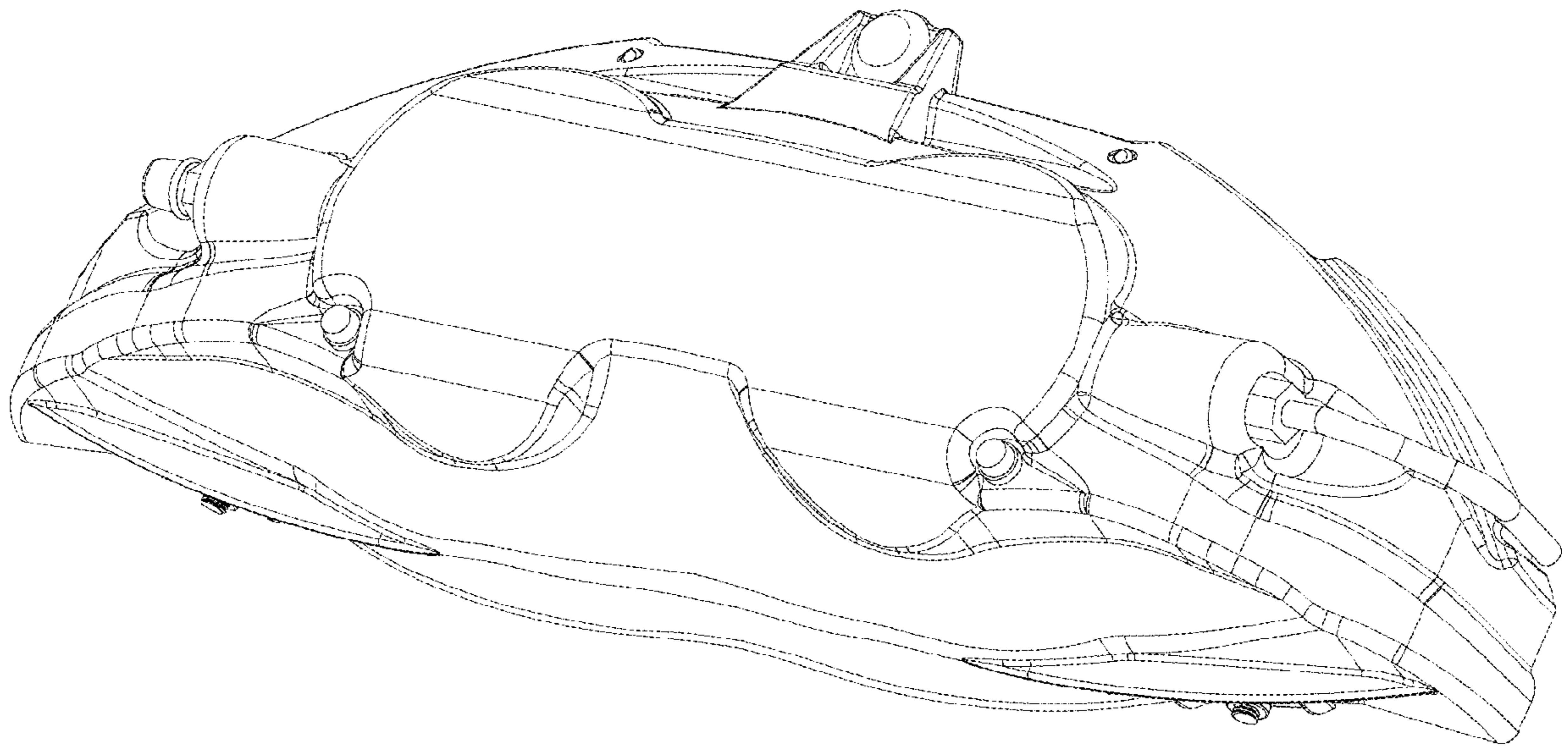


FIG. 7

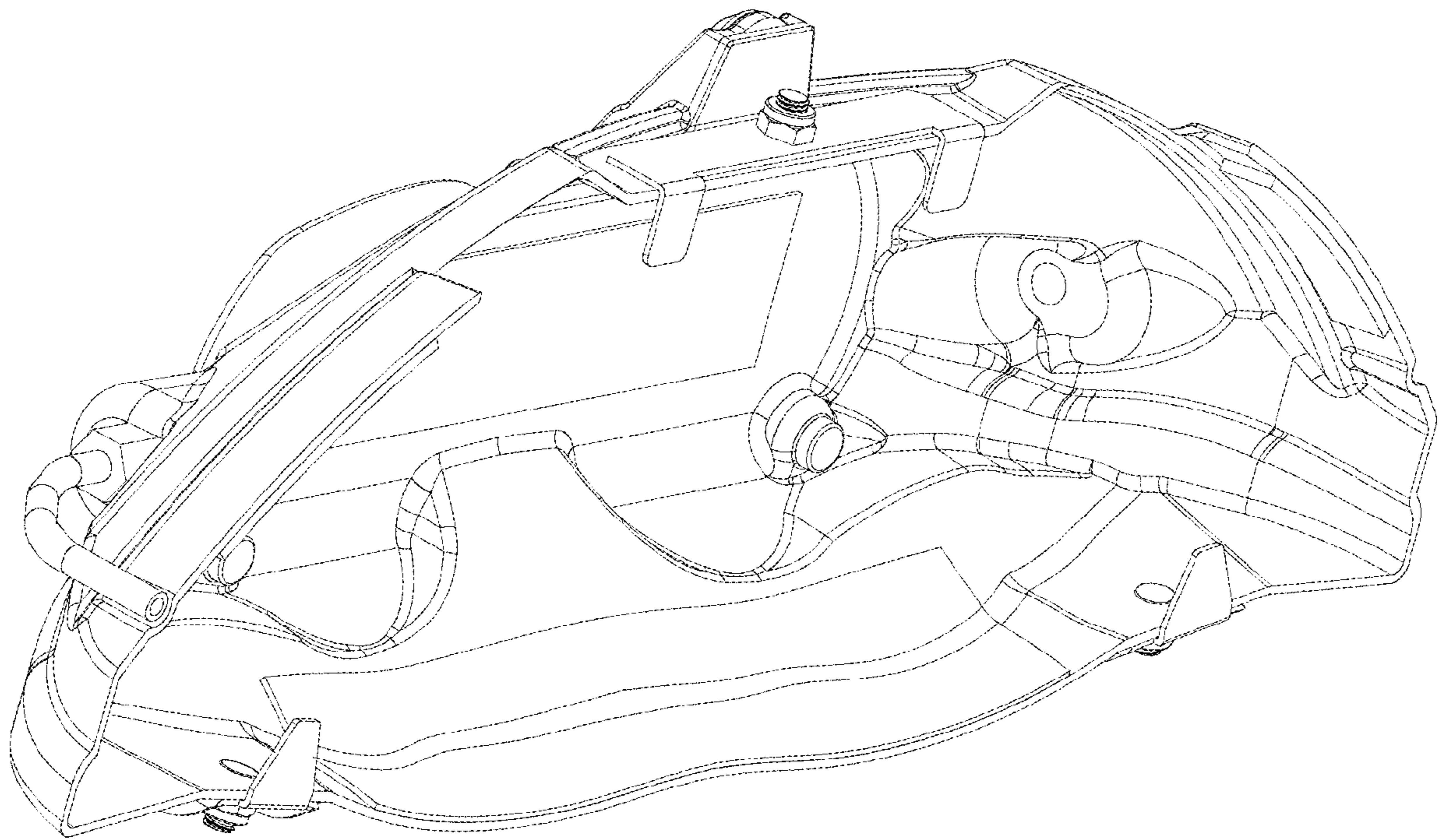


FIG. 8