



US00D942904S

(12) **United States Design Patent** (10) **Patent No.:** **US D942,904 S**
Fischer et al. (45) **Date of Patent:** **** Feb. 8, 2022**

(54) **AUTOMOTIVE FRONT FASCIA LIP**

(71) Applicants: **Abraham Fischer**, Hawthorne, CA
(US); **Ben Schaffer**, Hawthorne, CA
(US)

(72) Inventors: **Abraham Fischer**, Hawthorne, CA
(US); **Ben Schaffer**, Hawthorne, CA
(US)

(**) Term: **15 Years**

(21) Appl. No.: **29/719,653**

(22) Filed: **Jan. 7, 2020**

(51) **LOC (13) Cl.** **12-16**

(52) **U.S. Cl.**
USPC **D12/172**; D12/169

(58) **Field of Classification Search**
USPC D12/86, 163-164, 169, 172, 173, 175,
D12/177, 184, 196
CPC B60R 19/02; B60R 19/04; B62D 25/00;
B62D 25/08; B62D 35/00
See application file for complete search history.

(56) **References Cited**

U.S. PATENT DOCUMENTS

D793,295 S *	8/2017	McCabe	D12/169
D801,889 S *	11/2017	Han	D12/169
D804,370 S *	12/2017	Kozub	D12/169
D820,174 S *	6/2018	Whitla	D12/169
D821,937 S *	7/2018	Cummins	D12/169
D822,551 S *	7/2018	McMahan	D12/169
D837,109 S *	1/2019	Kozub	D12/169
D843,276 S *	3/2019	Razaghi	D12/169
D848,318 S *	5/2019	McMahan	D12/163
D848,909 S *	5/2019	Lee	D12/169
D851,561 S *	6/2019	Yong	D12/169
D863,150 S *	10/2019	Krieg	D12/169
D864,057 S *	10/2019	Krieg	D12/169

D877,004 S *	3/2020	Wilkins	D12/169
D877,007 S *	3/2020	Zipfel	D12/169
D877,010 S *	3/2020	Morgan	D12/169
D882,466 S *	4/2020	Yong	D12/169
D894,061 S *	8/2020	Zipfel	D12/169
D902,803 S *	11/2020	Choi	D12/169

OTHER PUBLICATIONS

“Bumper Cover Molding” ID Carid., posted date Jan. 30, 2018 [online], [retrieved on Dec. 30, 2020]. Retrieved from the Internet <<https://www.carid.com/oe-replacement-part-number-865823w000.html>> (Year: 2018).*

(Continued)

Primary Examiner — Darlington Ly

Assistant Examiner — Nasim Abdulaziz Ali

(74) *Attorney, Agent, or Firm* — John D. Tran; Rhema Law Group

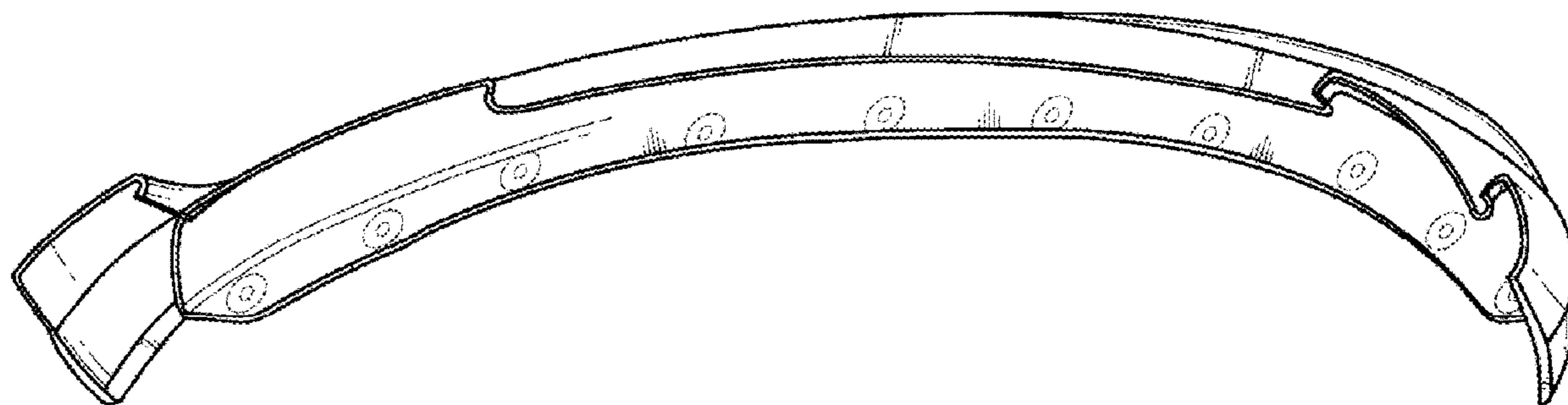
(57) **CLAIM**

The ornamental design for an automotive front fascia lip, as shown and described.

DESCRIPTION

FIG. 1 is a front perspective view of an automotive front fascia lip embodying our new design; FIG. 2 is a top plan view thereof; FIG. 3 is a bottom plan view thereof; FIG. 4 is rear elevation view thereof; FIG. 5 is a front elevation view thereof; FIG. 6 is a right side elevation view thereof; and, FIG. 7 is a left side elevation view thereof. The broken lines in the drawings illustrate portions of the automotive front fascia lip that form no part of the claimed design.

1 Claim, 6 Drawing Sheets



(56)

References Cited

OTHER PUBLICATIONS

“Front Bumper Lip Kit” Keenso., posted date Jul. 13, 2020 [online], [retrieved on Dec. 30, 2020]. Retrieved from the Internet <<https://www.amazon.com/Universal-Spoiler-Splitter-Protector-Scratch-Resistant/dp/B08CVKWR2C>> (Year: 2020).*

“ECOTRIC Gloss Black Car Front Bumper Lip” Ecotric Store., posted date Oct. 8, 2019 [online], [retrieved on Dec. 30, 2020]. Retrieved from the Internet <<https://www.amazon.com/ECOTRIC-Splitter-Spoiler-Diffuser-Deflector/dp/B07YW3NKD5>> (Year: 2019).*

* cited by examiner

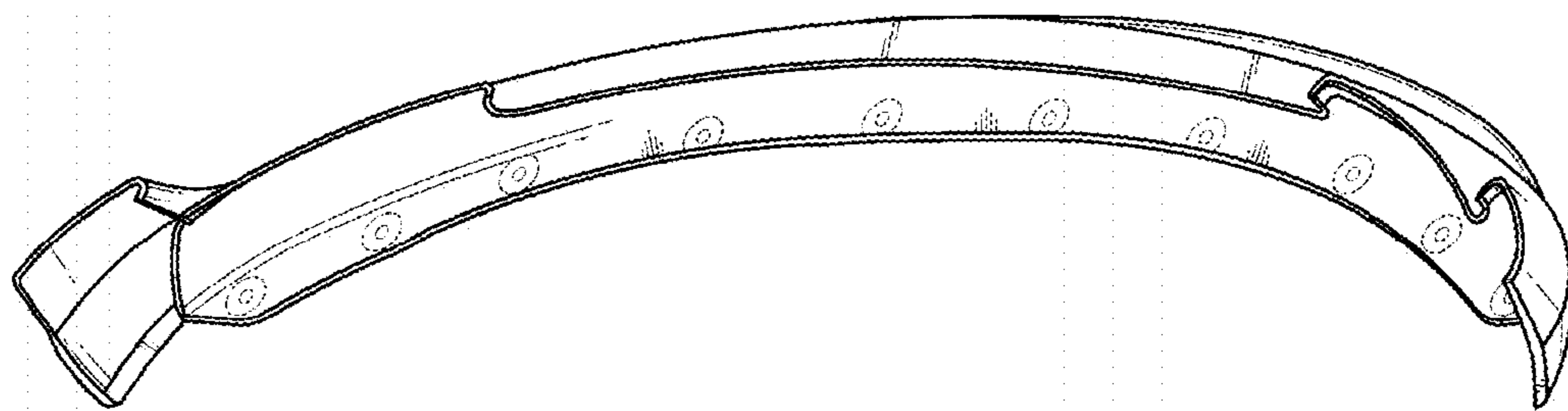


FIG. 1

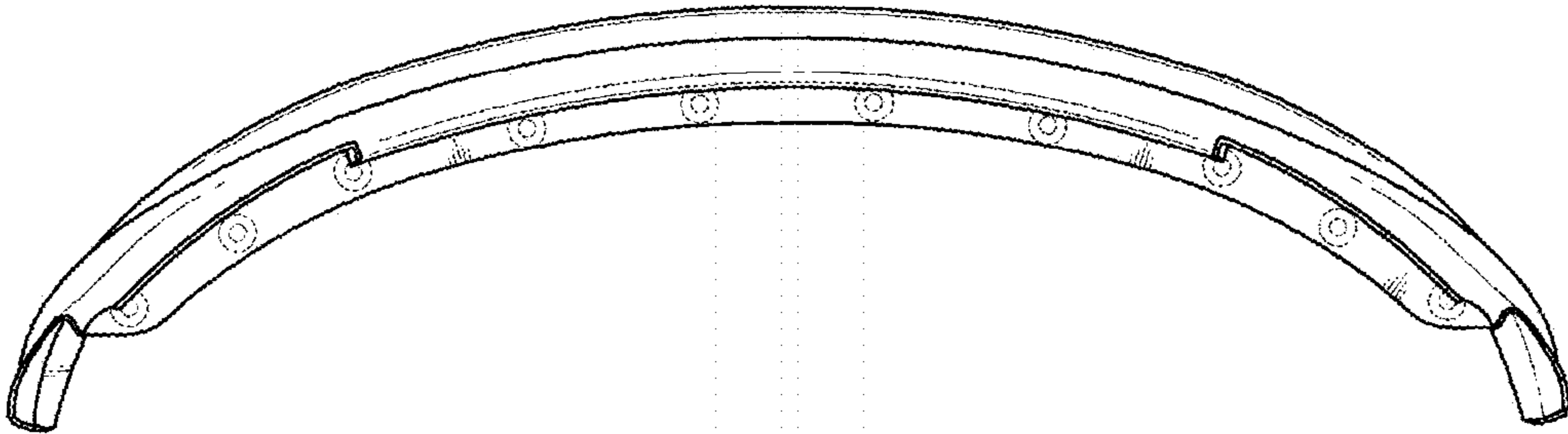


FIG. 2

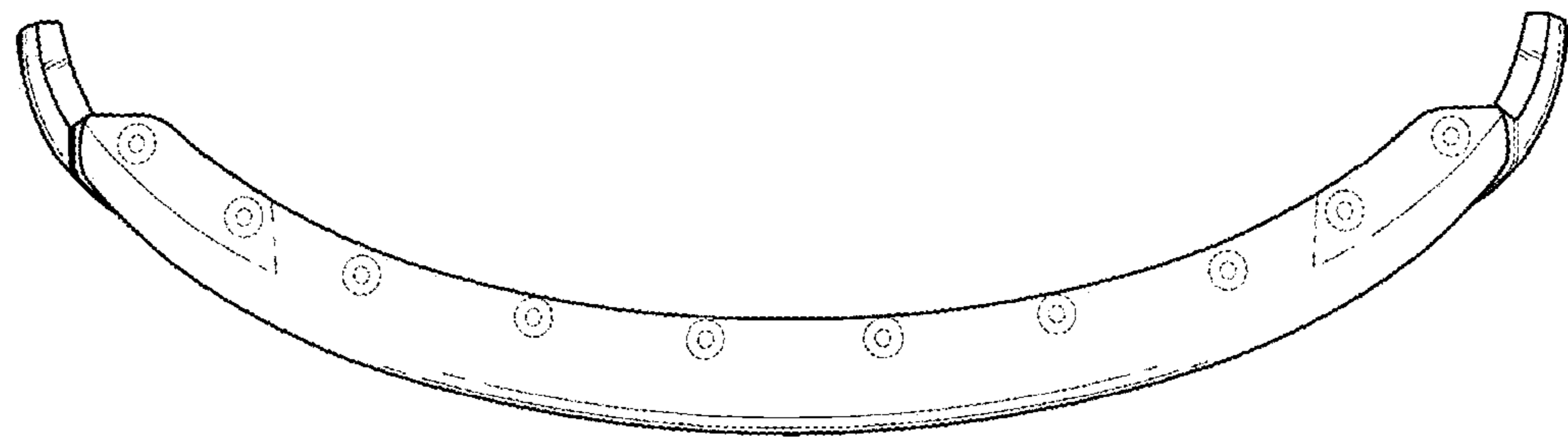


FIG. 3

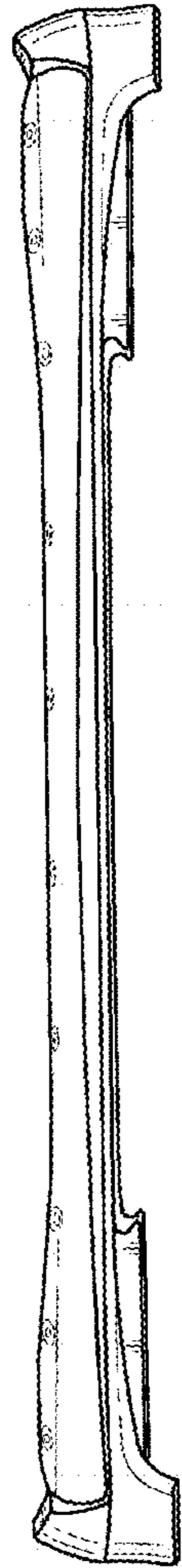


FIG. 4



FIG. 5



FIG. 6

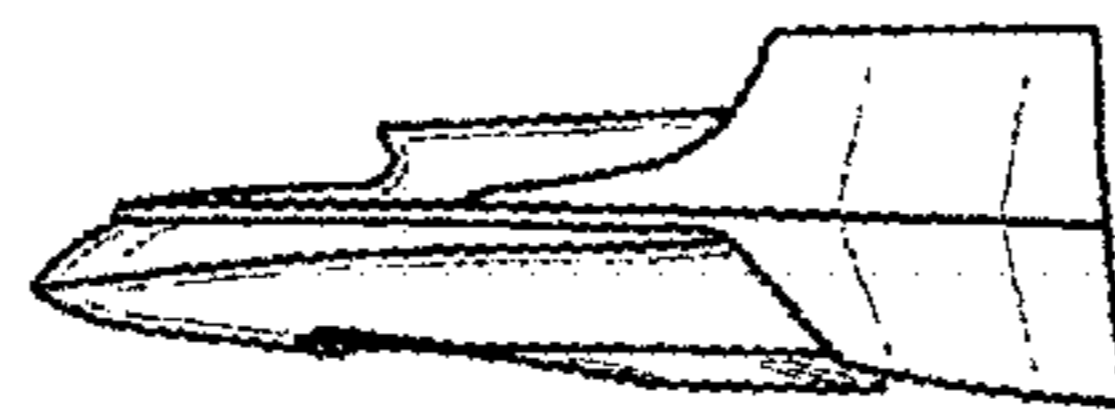


FIG. 7