



US00D942901S

(12) **United States Design Patent** (10) **Patent No.:** **US D942,901 S**  
**Metros et al.** (45) **Date of Patent:** **\*\* Feb. 8, 2022**

(54) **MOTOR VEHICLE, TOY REPLICA AND/OR OTHER REPLICA**

(56) **References Cited**

U.S. PATENT DOCUMENTS

(71) Applicant: **Ford Global Technologies, LLC**,  
Dearborn, MI (US)  
(72) Inventors: **Craig S. Metros**, Bloomfield, MI (US);  
**Darrell Behmer**, Novi, MI (US);  
**Melvin Betancourt**, Shelby Township,  
MI (US); **Christopher Stevens**, Detroit,  
MI (US)  
(73) Assignee: **Ford Global Technologies, LLC**,  
Dearborn, MI (US)  
(\*\*) Term: **15 Years**

D710,762 S *	8/2014	Mays	.....	D12/92
D714,690 S *	10/2014	Mays	.....	D12/92
D724,494 S *	3/2015	Kaoud	.....	D12/92
D741,228 S *	10/2015	Curic	.....	D12/92
D741,229 S *	10/2015	Curic	.....	D12/92
D814,976 S *	4/2018	Behmer	.....	D12/92
D821,921 S *	7/2018	Scully	.....	D12/92
D821,922 S *	7/2018	Behmer	.....	D12/92
D835,005 S *	12/2018	Behmer	.....	D12/92
D890,630 S *	7/2020	Metros	.....	D12/88
D890,631 S *	7/2020	Quach	.....	D12/88
D913,850 S *	3/2021	Piaskowski	.....	D12/91
D913,851 S *	3/2021	Piaskowski	.....	D12/91
D916,624 S *	4/2021	Piaskowski	.....	D12/91
D929,260 S *	8/2021	Piaskowski	.....	D12/92

\* cited by examiner

*Primary Examiner* — Melody N Brown

(21) Appl. No.: **29/743,367**  
(22) Filed: **Jul. 21, 2020**

(57) **CLAIM**

The ornamental design for a motor vehicle, toy replica and/or other replica, as shown and described.

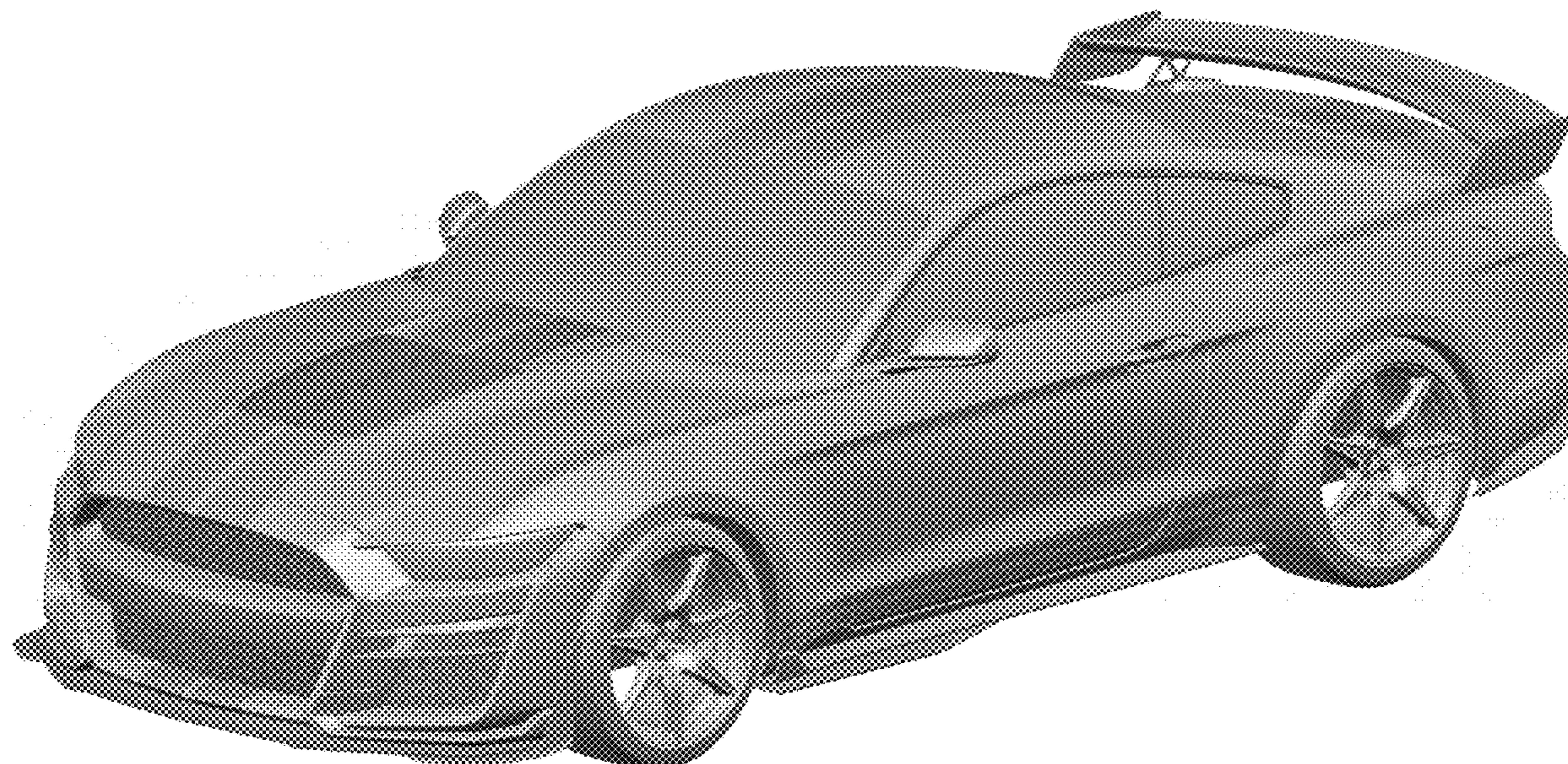
**Related U.S. Application Data**

(62) Division of application No. 29/673,777, filed on Dec. 18, 2018, now Pat. No. Des. 890,630.  
(51) **LOC (13) Cl.** ..... **12-08**  
(52) **U.S. Cl.**  
USPC ..... **D12/92**  
(58) **Field of Classification Search**  
USPC ..... D12/86, 90-92; D21/424, 433, 434;  
296/181.1-181.5, 183.1  
CPC ..... B62D 25/00; B62D 25/06; B62D 33/00;  
B62D 35/00  
See application file for complete search history.

**DESCRIPTION**

FIG. 1 is a front elevational view of a motor vehicle, toy replica and/or other replica showing our new design;  
FIG. 2 is a rear elevational view thereof;  
FIG. 3 is a left side elevational view thereof;  
FIG. 4 is a right side elevational view thereof;  
FIG. 5 is a top plan view thereof;  
FIG. 6 is a top, front and left side perspective view thereof;  
and,  
FIG. 7 is a top, rear, and left side perspective view thereof.

**1 Claim, 7 Drawing Sheets**



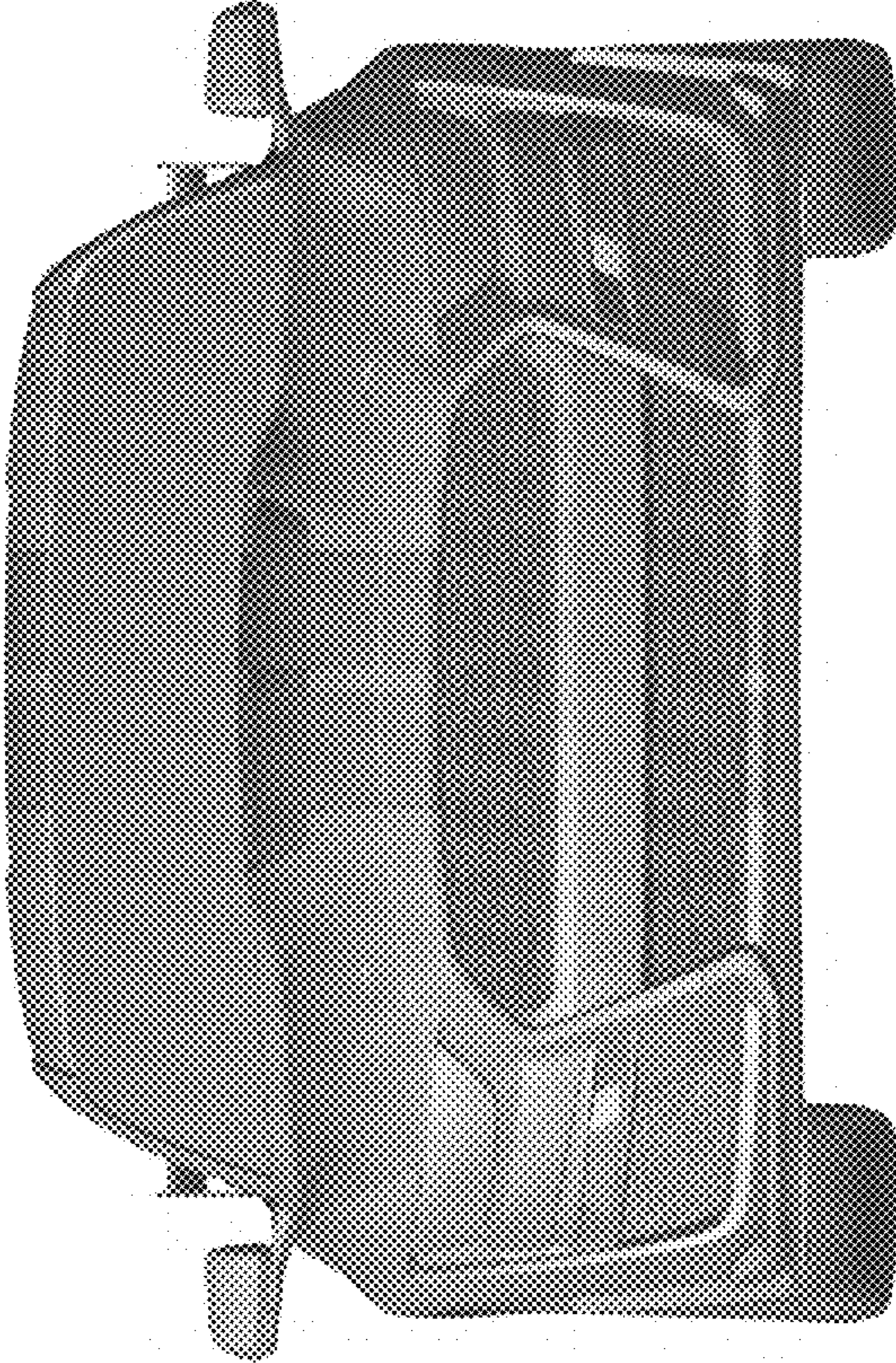


Fig. 1

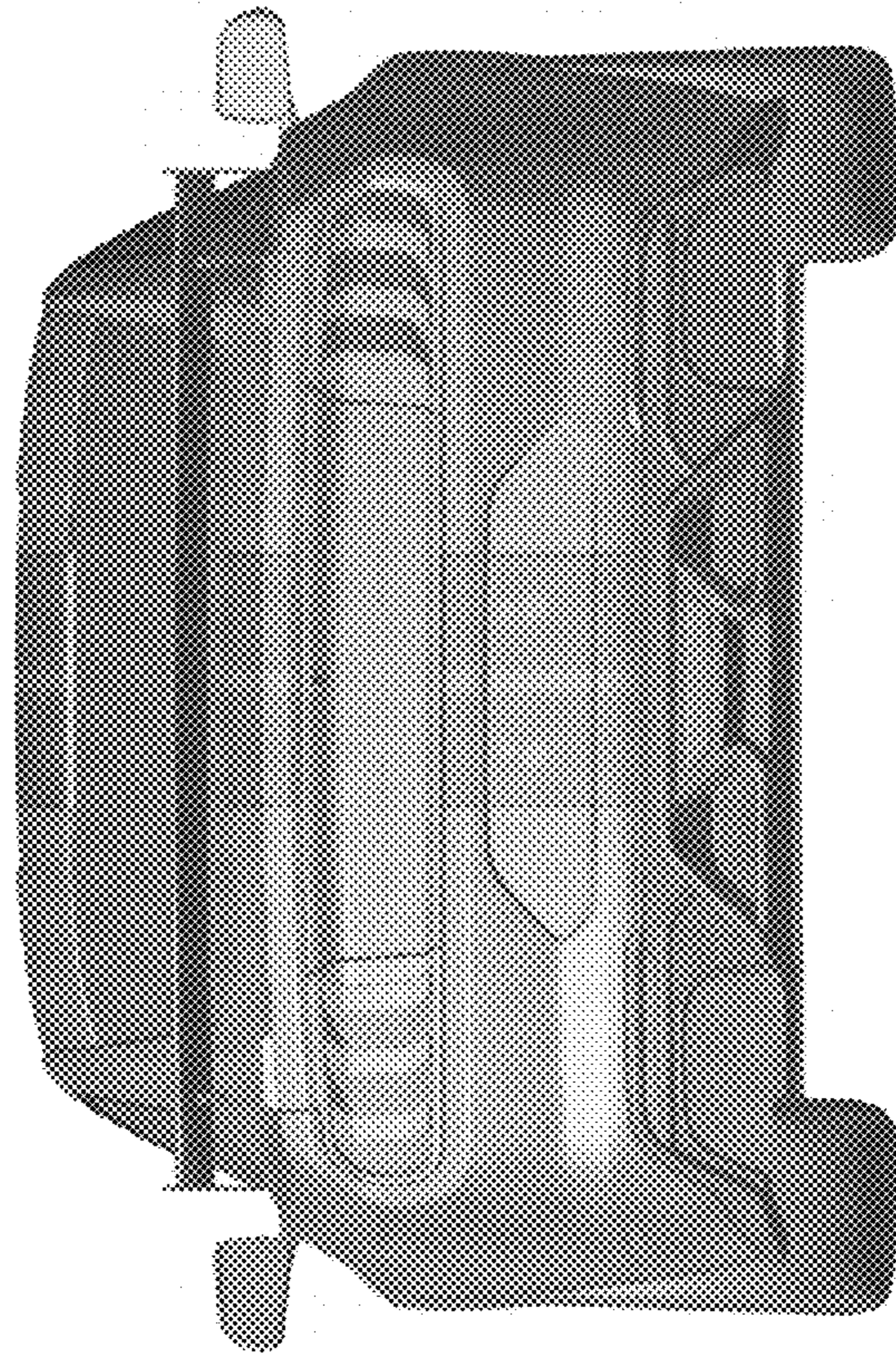


Fig. 2

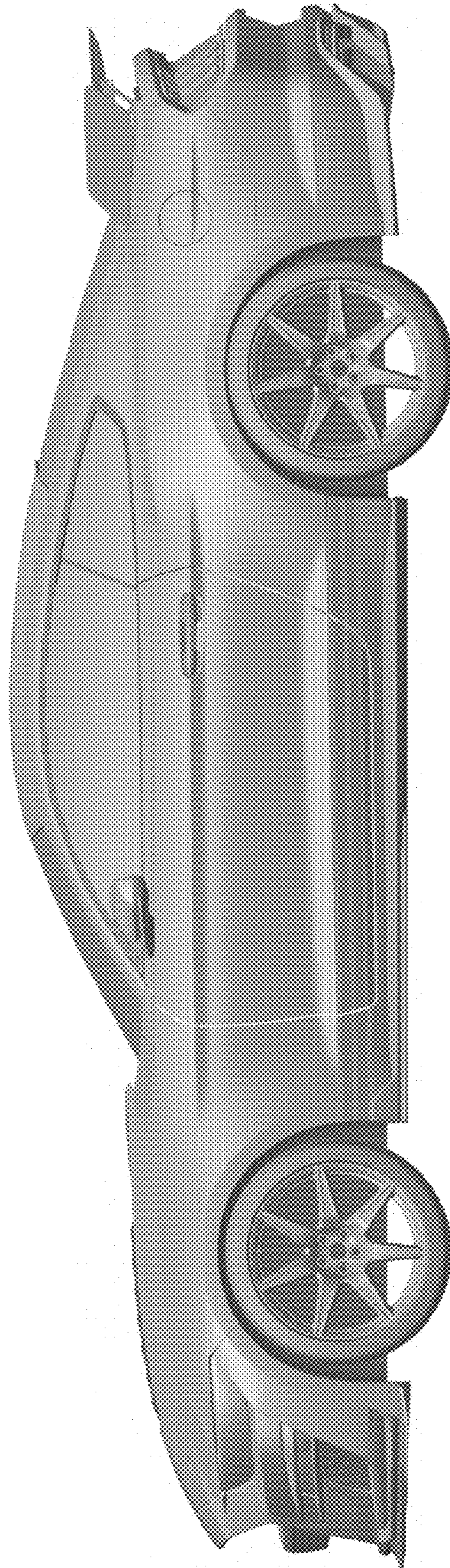


Fig. 3

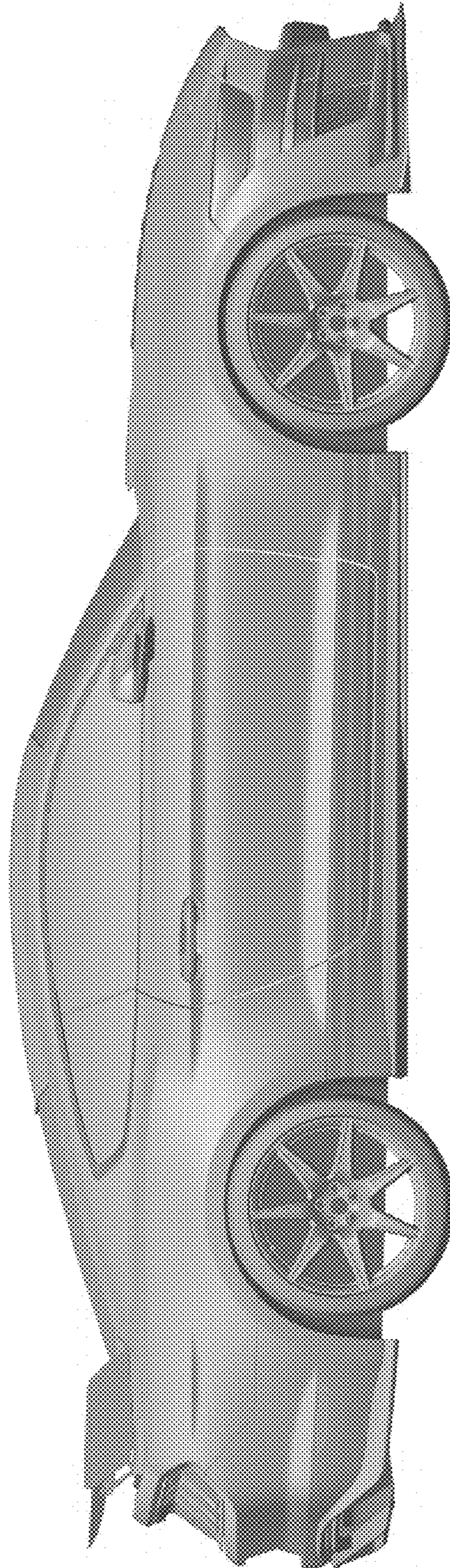


Fig. 4



Fig. 5



Fig. 6



Fig. 7