

US00D942900S

(12) **United States Design Patent** (10) **Patent No.:** **US D942,900 S**  
**Bucher et al.** (45) **Date of Patent:** **\*\* Feb. 8, 2022**

(54) **MOTOR VEHICLE, TOY REPLICA, AND/OR OTHER REPLICA**

(56) **References Cited**

- (71) Applicant: **Ford Global Technologies, LLC**, Dearborn, MI (US)
- (72) Inventors: **George Bucher**, Dearborn, MI (US); **Craig S Metros**, Bloomfield, MI (US); **Dean Carbis**, Bloomfield Hills, MI (US); **Shawn Sung Yu**, Canton, MI (US); **Jesse R. Diephuis**, West Bloomfield, MI (US)
- (73) Assignee: **Ford Global Technologies, LLC**, Dearborn, MI (US)
- (\*\*) Term: **15 Years**
- (21) Appl. No.: **29/772,534**
- (22) Filed: **Mar. 2, 2021**

U.S. PATENT DOCUMENTS

D736,119 S *	8/2015	Kaoud .....	D12/91
D741,227 S *	10/2015	Messale .....	D12/92
D741,752 S *	10/2015	Messale .....	D12/91
D746,175 S *	12/2015	Wolff .....	D12/91
D754,563 S *	4/2016	Behmer .....	D12/91
D788,643 S *	6/2017	Bucher .....	D12/91
D816,552 S *	5/2018	Bucher .....	D12/91
D819,497 S *	6/2018	Platto .....	D12/91
D821,920 S *	7/2018	Platto .....	D12/91
D830,232 S *	10/2018	Tamiya .....	D12/91
D832,146 S *	10/2018	Metros .....	D12/91
D832,166 S *	10/2018	Kobayashi .....	D12/180
D832,167 S *	10/2018	Loeb .....	D12/187
D835,001 S *	12/2018	Metros .....	D12/91
D835,002 S *	12/2018	Metros .....	D12/91
D911,875 S *	3/2021	Bucher .....	D12/91

\* cited by examiner

*Primary Examiner* — Melody N Brown

(57) **CLAIM**

The ornamental design for a motor vehicle, toy replica, and/or other replica, as shown and described.

**DESCRIPTION**

FIG. 1 is a front elevational view of a motor vehicle, toy replica, and/or other replica, showing our new design;  
 FIG. 2 is a rear elevational view thereof;  
 FIG. 3 is a left side elevational view thereof;  
 FIG. 4 is a right side elevational view thereof;  
 FIG. 5 is a top plan view thereof;  
 FIG. 6 is a top, front, and left side perspective view thereof;  
 and,  
 FIG. 7 is a top, rear, and left side perspective view thereof.

**1 Claim, 7 Drawing Sheets**

**Related U.S. Application Data**

- (62) Division of application No. 29/631,971, filed on Jan. 4, 2018, now Pat. No. Des. 911,875.
- (51) **LOC (13) Cl.** ..... **12-08**
- (52) **U.S. Cl.**  
USPC ..... **D12/91**
- (58) **Field of Classification Search**  
USPC ..... D12/86, 90-92, 88; D21/424, 433, 434, D21/533; 296/181.1-181.5, 183.1  
CPC ..... B62D 25/00; B62D 25/06; B62D 33/00; B62D 35/00  
See application file for complete search history.



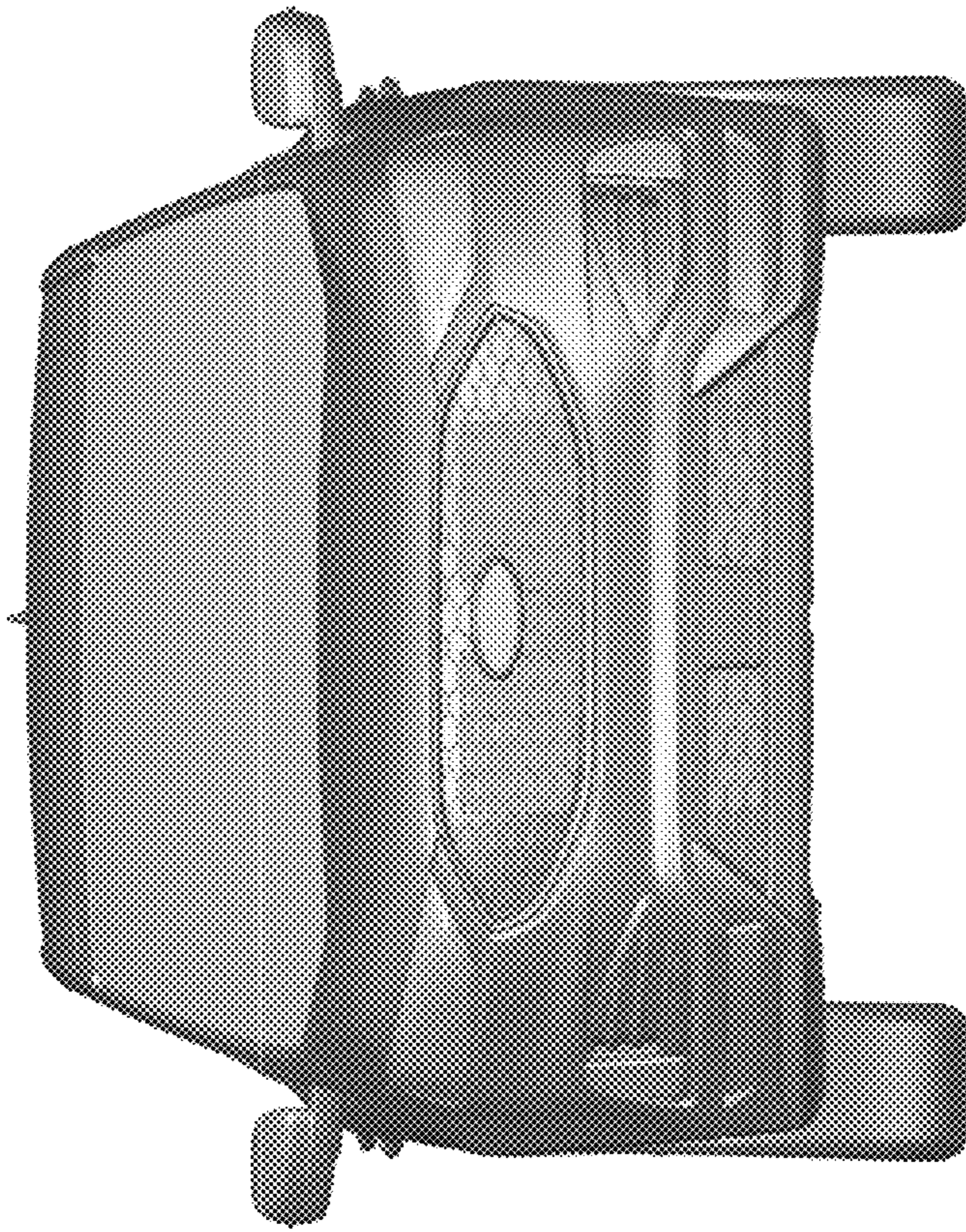


Fig. 1

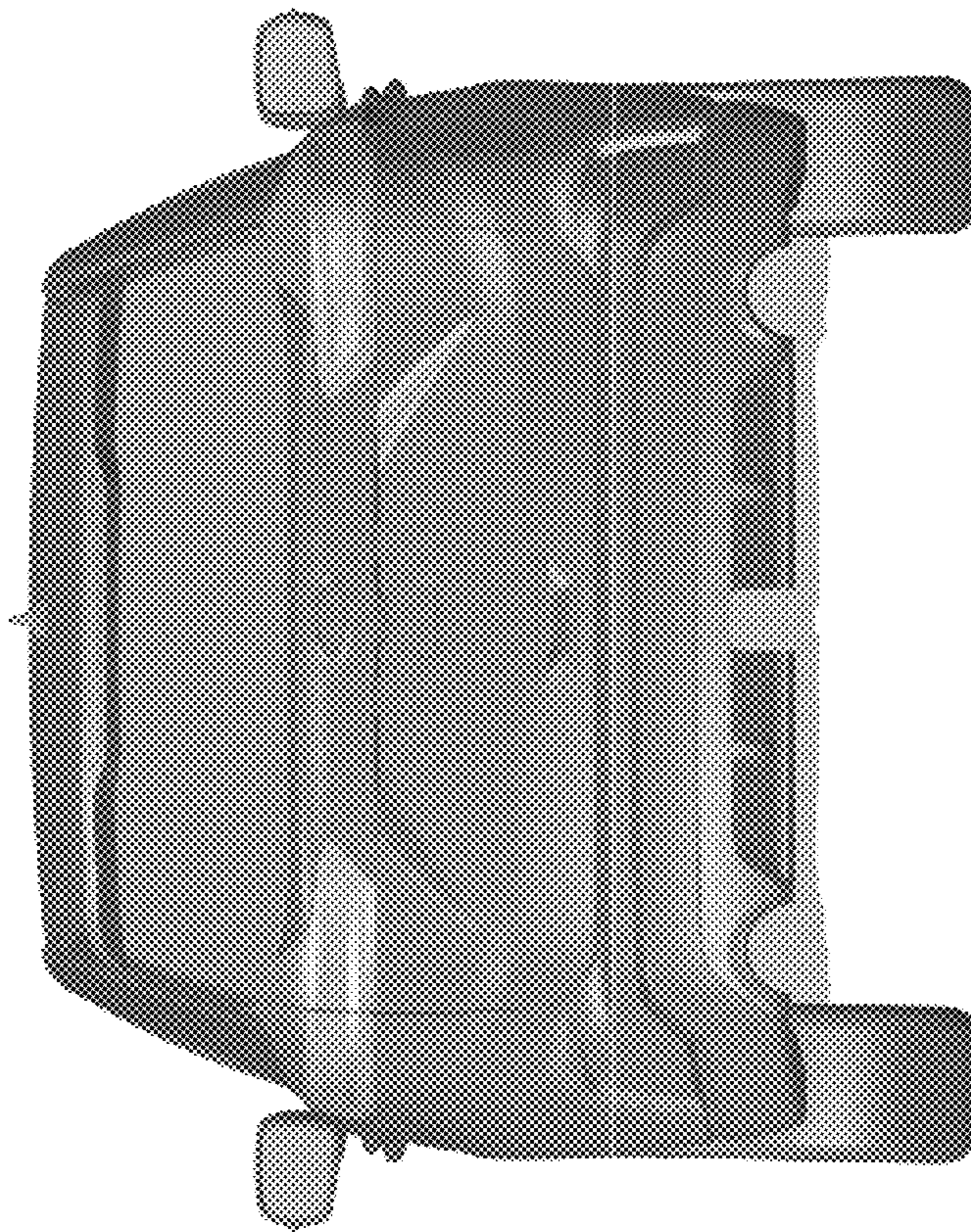


Fig. 2



Fig. 3



Fig. 4



Fig. 5

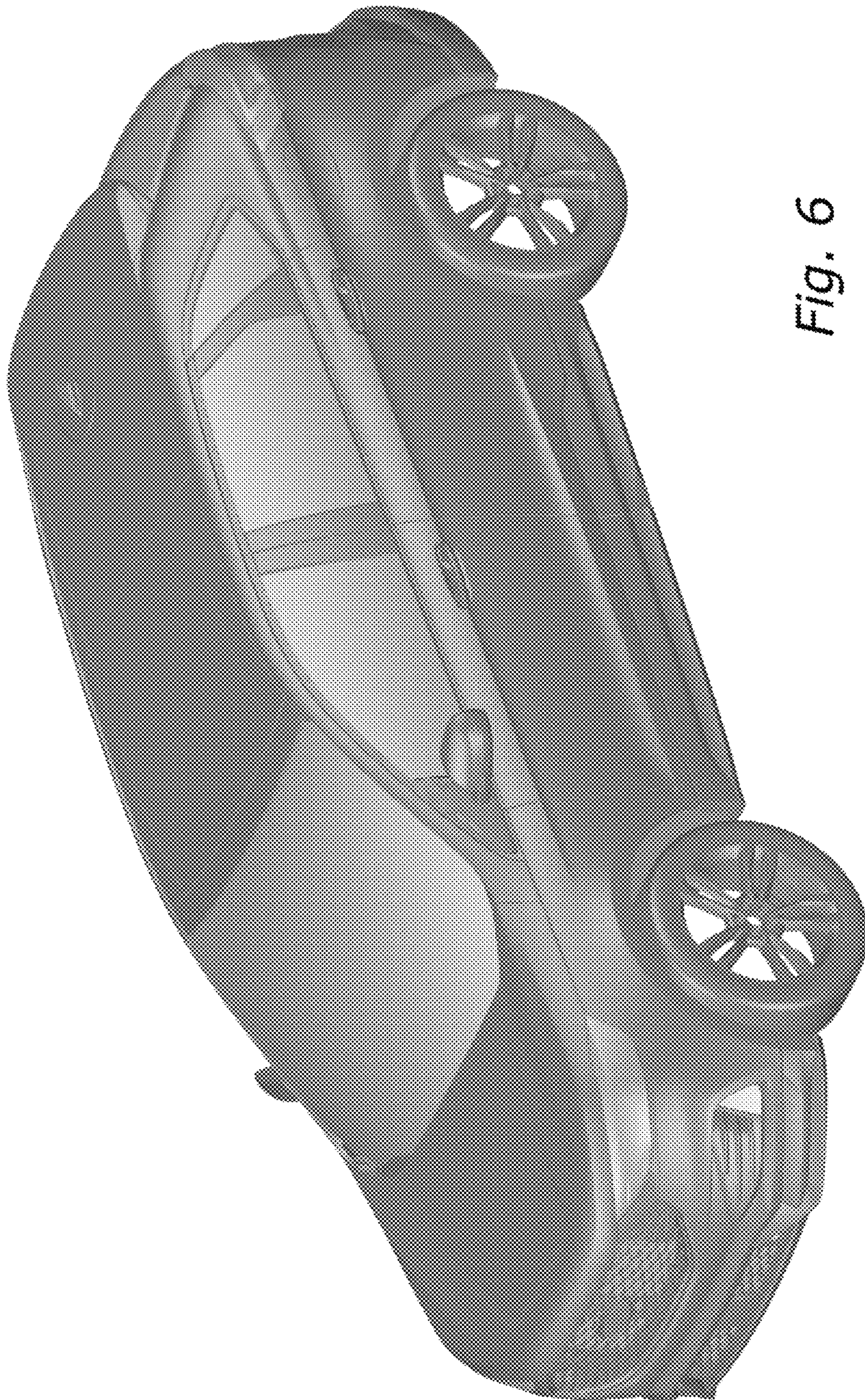


FIG. 6



Fig. 7