



US00D942898S

(12) **United States Design Patent** (10) **Patent No.:** **US D942,898 S**
Bucher et al. (45) **Date of Patent:** **** Feb. 8, 2022**

(54) **MOTOR VEHICLE, TOY REPLICA, AND/OR OTHER REPLICA**

(56) **References Cited**

U.S. PATENT DOCUMENTS

(71) Applicant: **Ford Global Technologies, LLC**,
Dearborn, MI (US)
(72) Inventors: **George Bucher**, Dearborn, MI (US);
Craig S. Metros, Bloomfield, MI (US);
Dean Carbis, Bloomfield Hills, MI
(US); **Shawn Sung Yu**, Canton, MI
(US); **Jesse R. Diephuis**, West
Bloomfield, MI (US)

D736,119 S *	8/2015	Kaoud	D12/91
D741,227 S *	10/2015	Messale	D12/92
D741,752 S *	10/2015	Messale	D12/91
D746,175 S *	12/2015	Wolff	D12/91
D754,563 S *	4/2016	Behmer	D12/91
D788,643 S *	6/2017	Bucher	D12/91
D816,552 S *	5/2018	Bucher	D12/91
D819,497 S *	6/2018	Platto	D12/91
D821,920 S *	7/2018	Platto	D12/91
D830,232 S *	10/2018	Tamiya	D12/91
D832,146 S *	10/2018	Metros	D12/91
D832,166 S *	10/2018	Kobayashi	D12/180
D832,167 S *	10/2018	Loeb	D12/187
D835,001 S *	12/2018	Metros	D12/91
D835,002 S *	12/2018	Metros	D12/91
D911,875 S *	3/2021	Bucher	D12/91

(73) Assignee: **Ford Global Technologies, LLC**,
Dearborn, MI (US)

(**) Term: **15 Years**

* cited by examiner

(21) Appl. No.: **29/772,521**

Primary Examiner — Melody N Brown

(22) Filed: **Mar. 2, 2021**

(57) **CLAIM**

The ornamental design for a motor vehicle, toy replica, and/or other replica, as shown and described.

Related U.S. Application Data

DESCRIPTION

(62) Division of application No. 29/631,971, filed on Jan. 4, 2018, now Pat. No. Des. 911,875.

(51) **LOC (13) Cl.** **12-08**

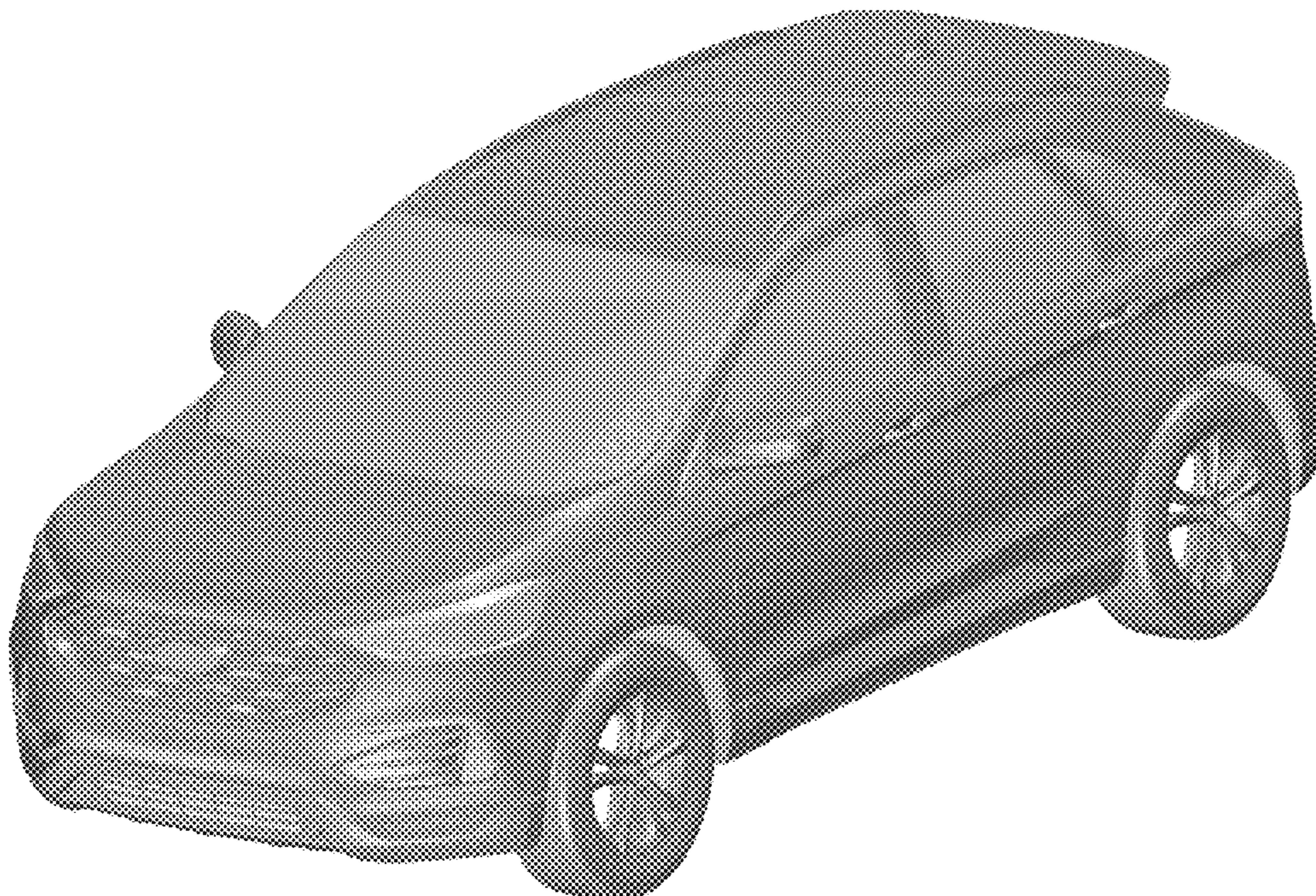
(52) **U.S. Cl.**
USPC **D12/91**

(58) **Field of Classification Search**
USPC D12/86, 90-92, 88; D21/424, 433, 434,
D21/533; 296/181.1-181.5, 183.1
CPC B62D 25/00; B62D 25/06; B62D 33/00;
B62D 35/00

FIG. 1 is a front elevational view of a motor vehicle, toy replica, and/or other replica, showing our new design;
FIG. 2 is a rear elevational view thereof;
FIG. 3 is a left side elevational view thereof;
FIG. 4 is a right side elevational view thereof;
FIG. 5 is a top plan view thereof;
FIG. 6 is a top, front, and left side perspective view thereof;
and,
FIG. 7 is a top, rear, and left side perspective view thereof.

See application file for complete search history.

1 Claim, 7 Drawing Sheets



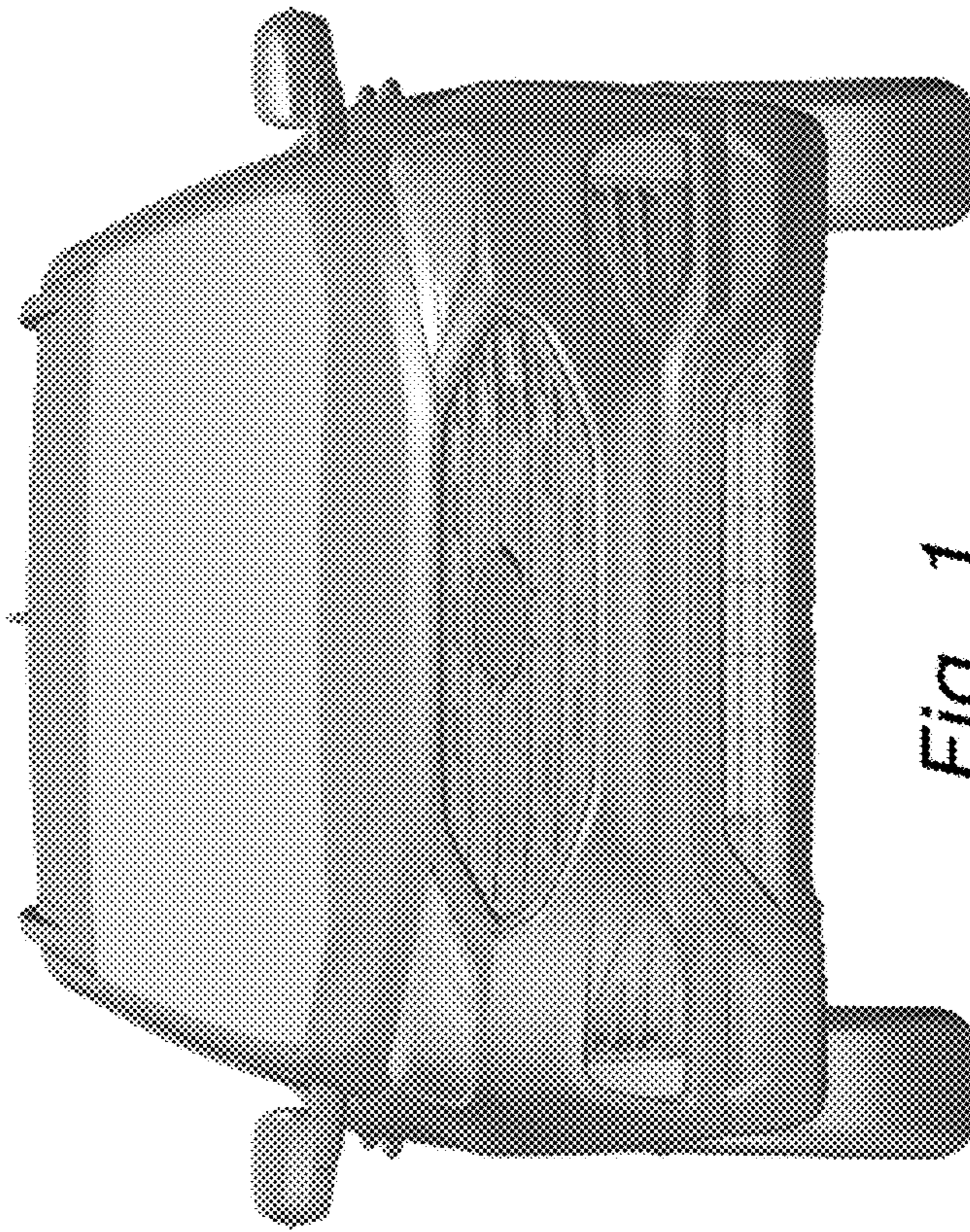


Fig. 1

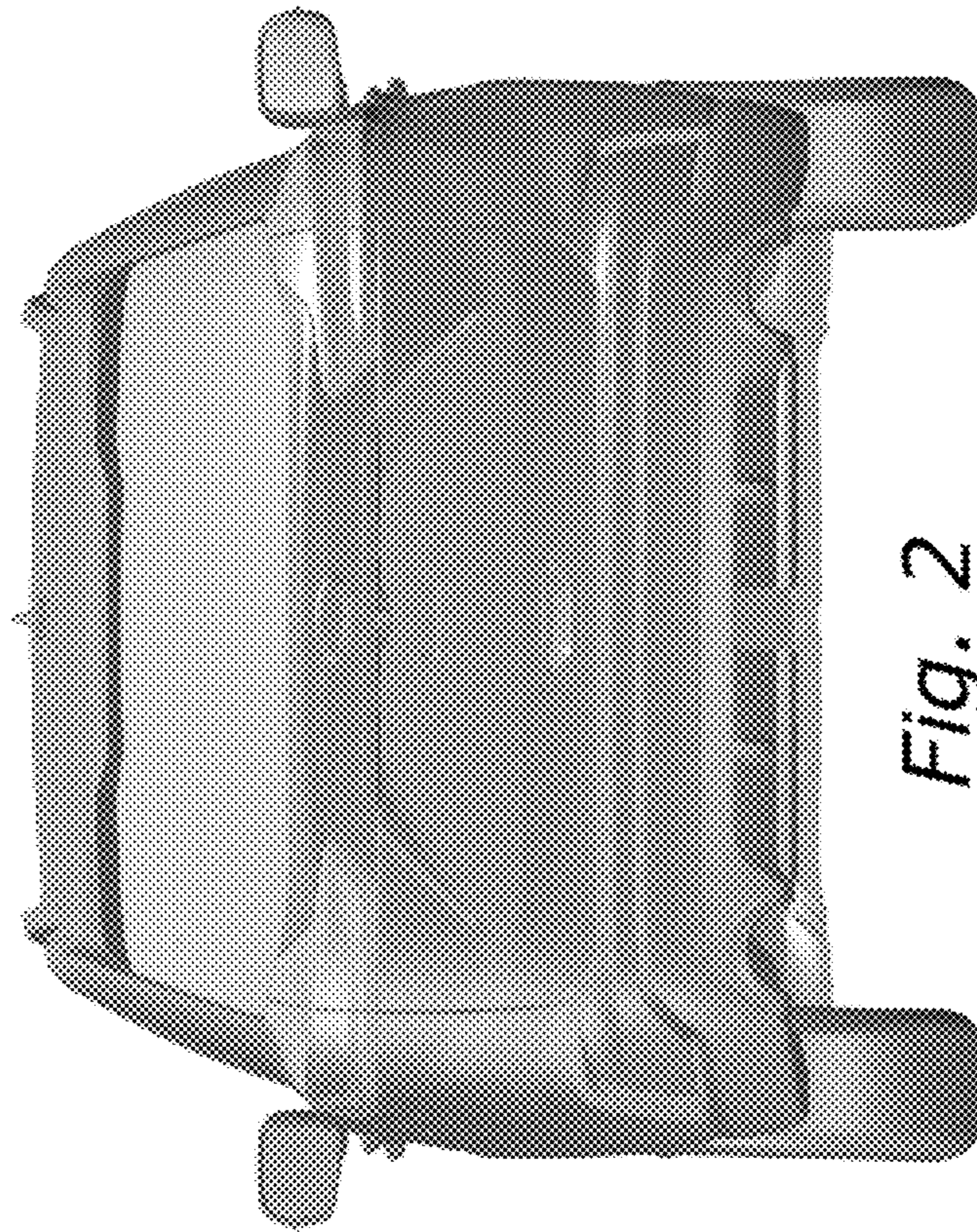


Fig. 2



Fig. 3

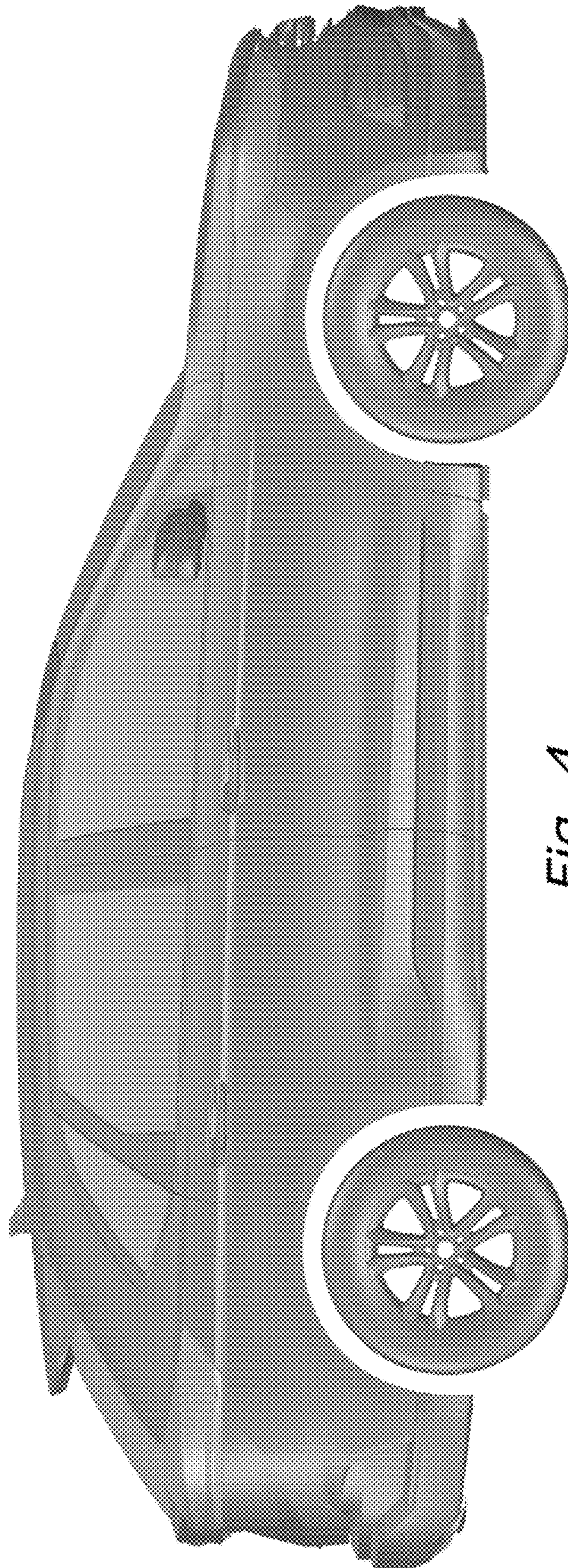


Fig. 4



Fig. 5

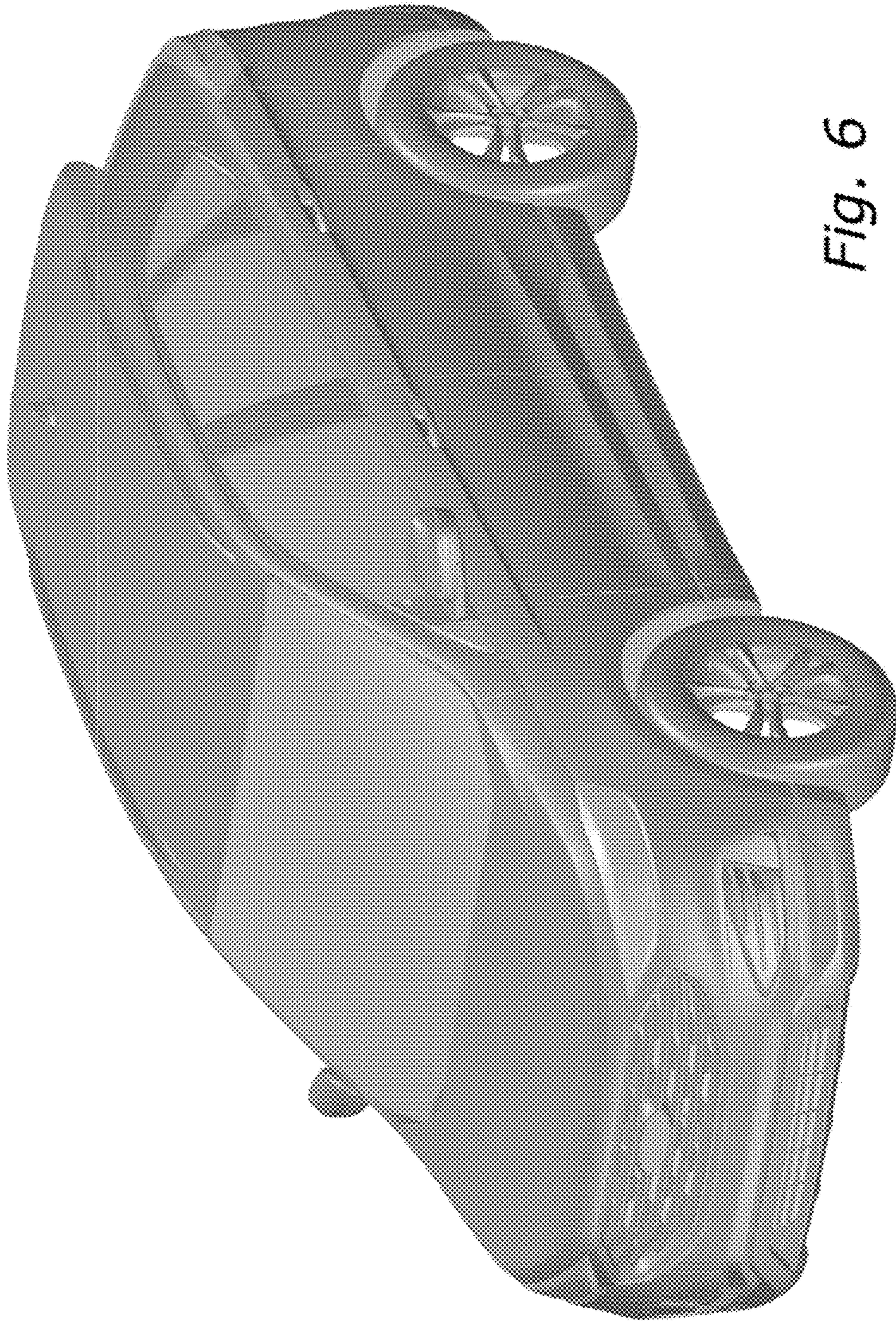


Fig. 6

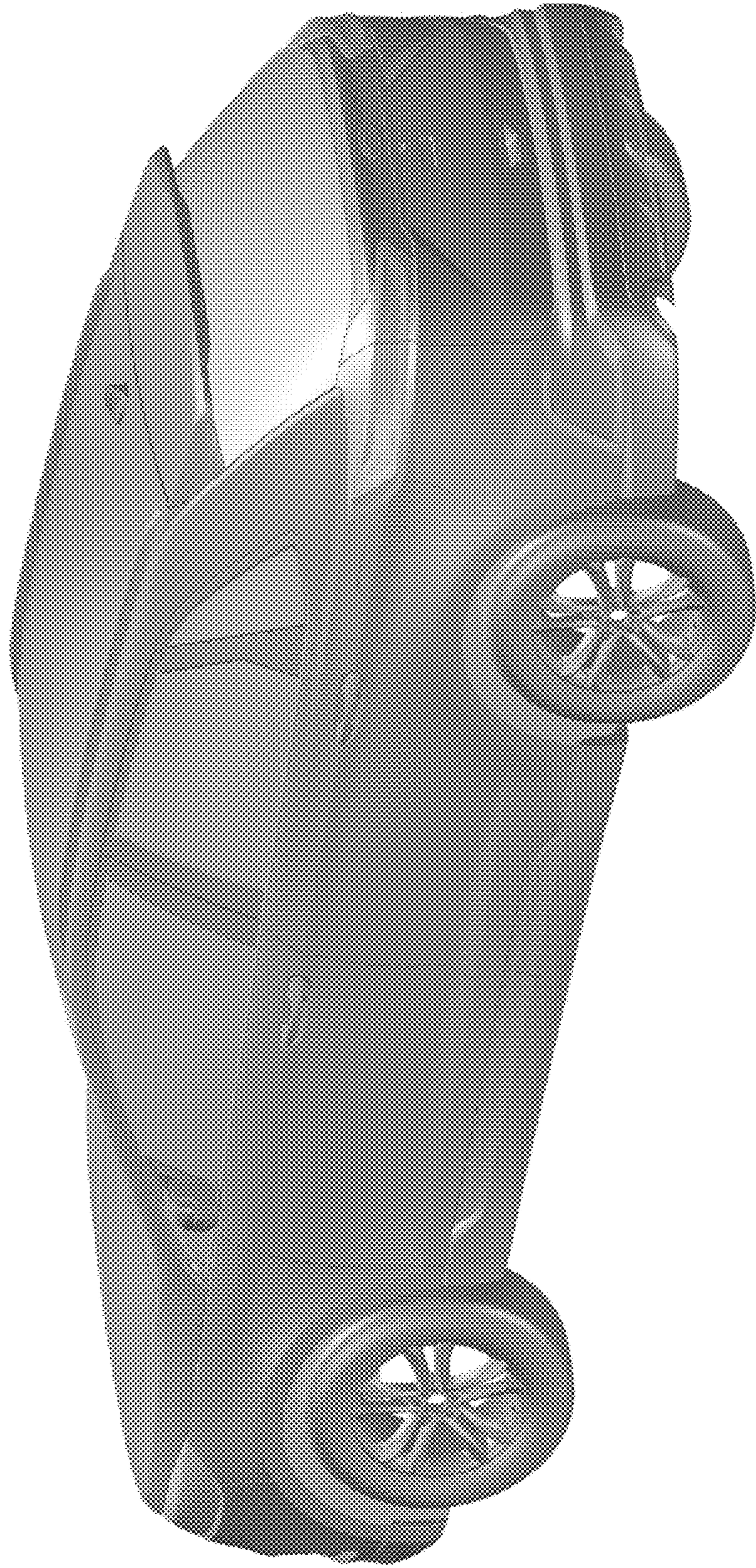


Fig. 7