



US00D942897S

(12) **United States Design Patent** (10) **Patent No.:** **US D942,897 S**
Willing et al. (45) **Date of Patent:** **** Feb. 8, 2022**

(54) **MOTOR VEHICLE, TOY VEHICLE REPLICA AND/OR OTHER REPLICA**

(71) Applicant: **Ford Global Technologies, LLC**, Dearborn, MI (US)

(72) Inventors: **Todd Willing**, East Melbourne (AU); **Paul Wraith**, West Bloomfield, MI (US); **Dong H. Park**, Canton, MI (US); **Anthony Meyer**, Royal Oak, MI (US); **Martin B. Coons**, Detroit, MI (US)

(73) Assignee: **Ford Global Technologies, LLC**, Dearborn, MI (US)

(**) Term: **15 Years**

(21) Appl. No.: **29/749,781**

(22) Filed: **Sep. 9, 2020**

(51) **LOC (13) Cl.** **12-08**

(52) **U.S. Cl.**
USPC **D12/91**

(58) **Field of Classification Search**
USPC D12/86, 90-92, 88; D21/424, 433, 434, D21/533; 296/181.1-181.5, 183.1
CPC B62D 25/00; B62D 25/06; B62D 33/00; B62D 35/00

See application file for complete search history.

(56) **References Cited**

U.S. PATENT DOCUMENTS

D801,860 S	*	11/2017	Piscitelli	D12/91
D810,626 S	*	2/2018	Macey	D12/91
D827,495 S	*	9/2018	Piscitelli	D12/91
D840,270 S	*	2/2019	Goodrich	D12/91
D840,271 S	*	2/2019	Goodrich	D12/91
D913,852 S	*	3/2021	Wraith	D12/91
D913,853 S	*	3/2021	Wraith	D12/91

(Continued)

OTHER PUBLICATIONS

Unknown, My observations from seeing see the actual 4-door Bronco raw, unpainted sheet metal shell, Feb. 15, 2020 <https://www.bronco6g.com/forum/threads/my-observations-from-seeing-see-the-actual-4-door-bronco-raw-unpainted-sheet-metal-shell.1048/>.

(Continued)

Primary Examiner — Melody N Brown

(74) *Attorney, Agent, or Firm* — Michael Spenner

(57) **CLAIM**

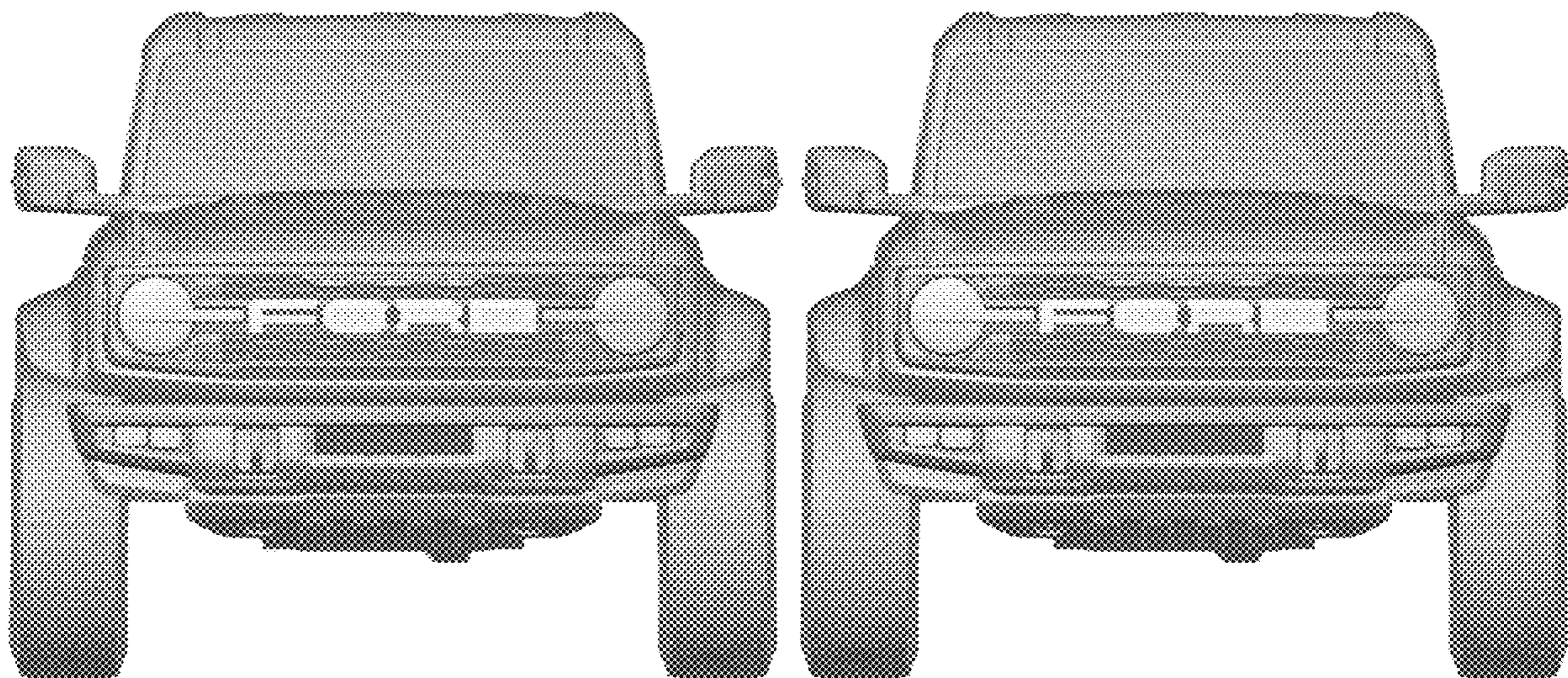
The ornamental design for a motor vehicle, toy vehicle replica and/or other replica, as shown and described.

DESCRIPTION

FIG. 1 is a front elevational view of a motor vehicle, toy vehicle replica and/or other replica showing our new design; FIG. 2 is a rear elevational view thereof; FIG. 3 is a left side elevational view thereof; FIG. 4 is a right side elevational view thereof; FIG. 5 is a top plan view thereof; FIG. 6 is a top, front, and left side perspective view thereof; FIG. 7 is a top, rear, and left side perspective view thereof; FIG. 8 is a front elevational view of a motor vehicle, toy vehicle replica and/or other replica showing a second embodiment of our new design; FIG. 9 is a rear elevational view of FIG. 8; FIG. 10 is a left side elevational view of FIG. 8; FIG. 11 is a right side elevational view of FIG. 8; FIG. 12 is a top plan view of FIG. 8; FIG. 13 is a top, front, and left side perspective view of FIG. 8; and, FIG. 14 is a top, rear, and left side perspective view of FIG. 8.

The claimed design is indicated by the relatively dark portions in the figures. The de-emphasized and relatively light portions form no part of the claimed design.

1 Claim, 14 Drawing Sheets



(56)

References Cited

U.S. PATENT DOCUMENTS

D924,101 S * 7/2021 Wraith D12/91
D929,258 S * 8/2021 Wraith D12/91

OTHER PUBLICATIONS

Unknown, Here's the 2021 Bronco's Tail Light Shape Illuminated, Feb. 19, 2020 <https://www.bronco6g.com/forum/threads/heres-the-2021-broncos-tail-light-shape-illuminated.1071/>.

Unknown, 2021 Bronco Interior Spied Undisguised!!, Feb. 25, 2020 <https://www.bronco6g.com/forum/threads/2021-bronco-interior-spied-undisguised.1096/>.

Arrian Padeanu, 2021 Ford Bronco Gets Five Adventure Concepts To Mark SUVs Birthday, Aug. 13, 2020 <https://www.motor1.com/news/438885/2021-ford-bronco-adventure-concepts>.

* cited by examiner

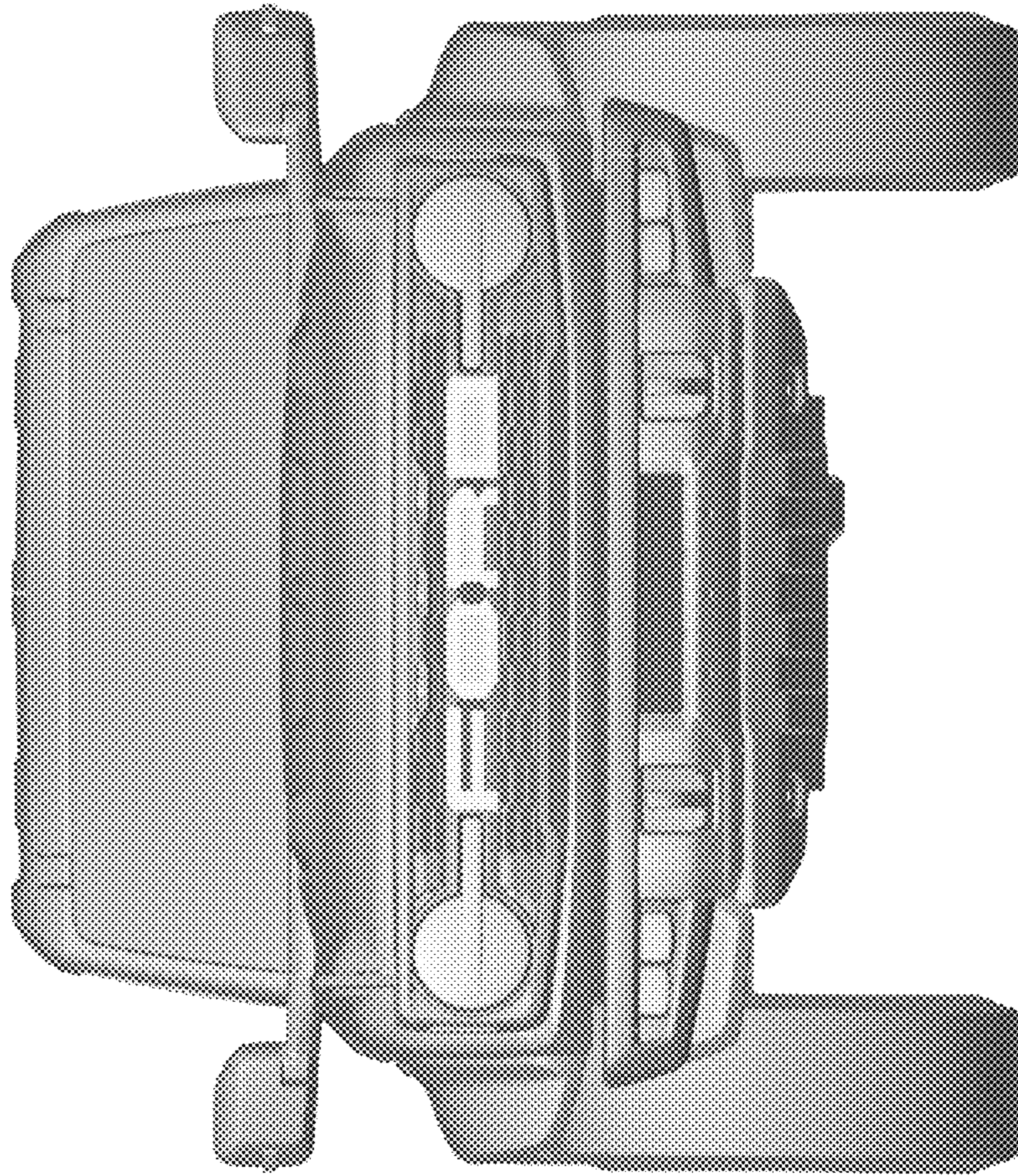


Fig. 1

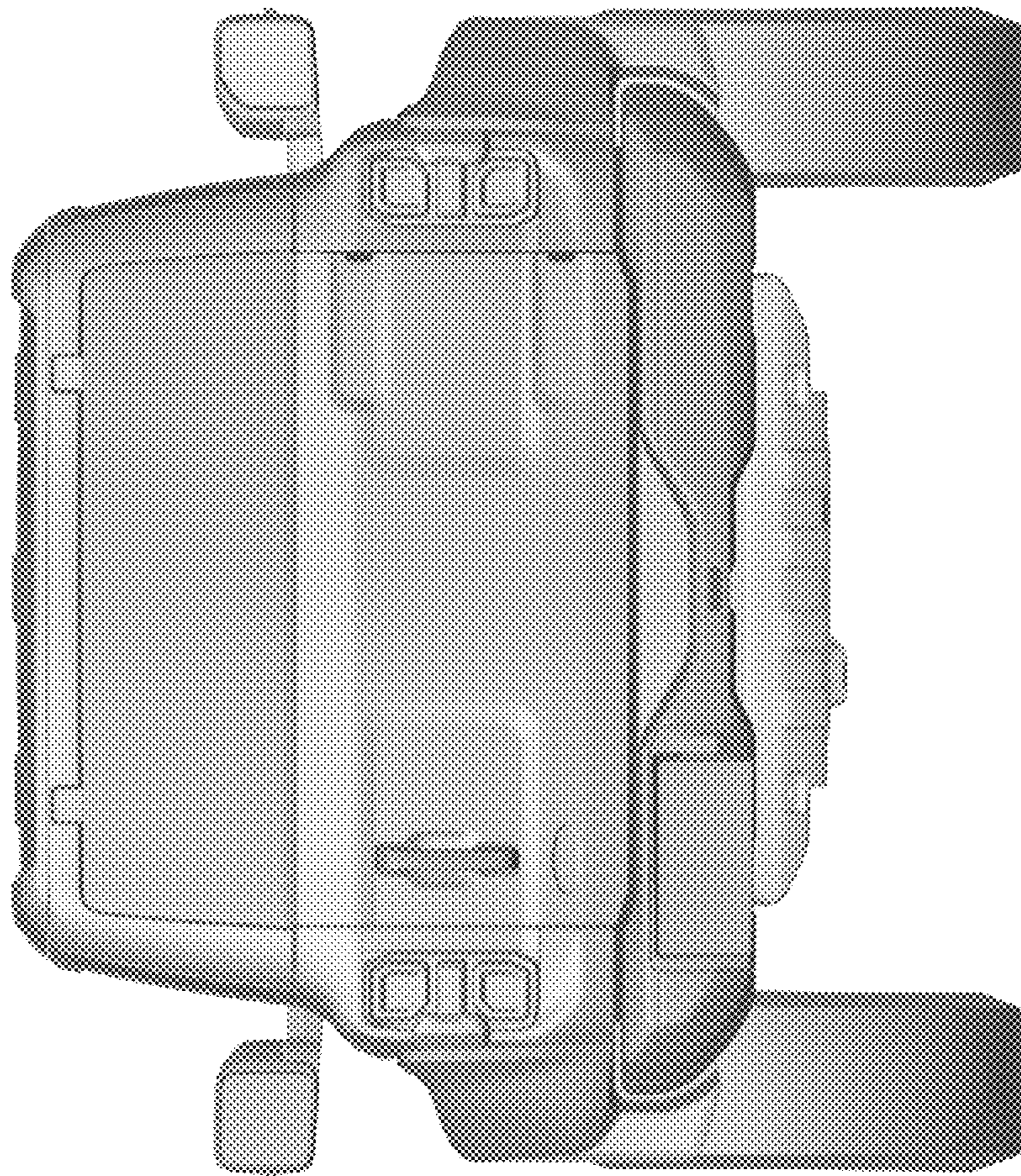


Fig. 2



Fig. 3

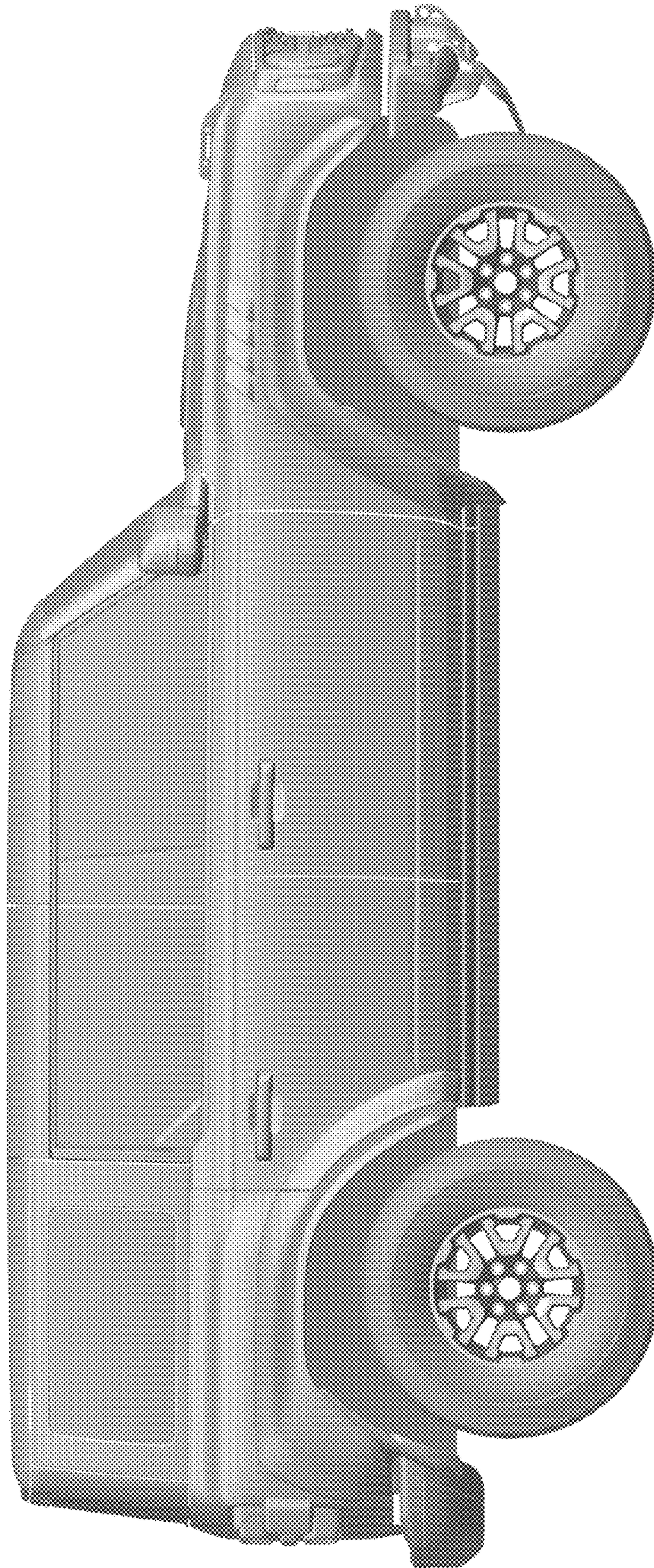


Fig. 4

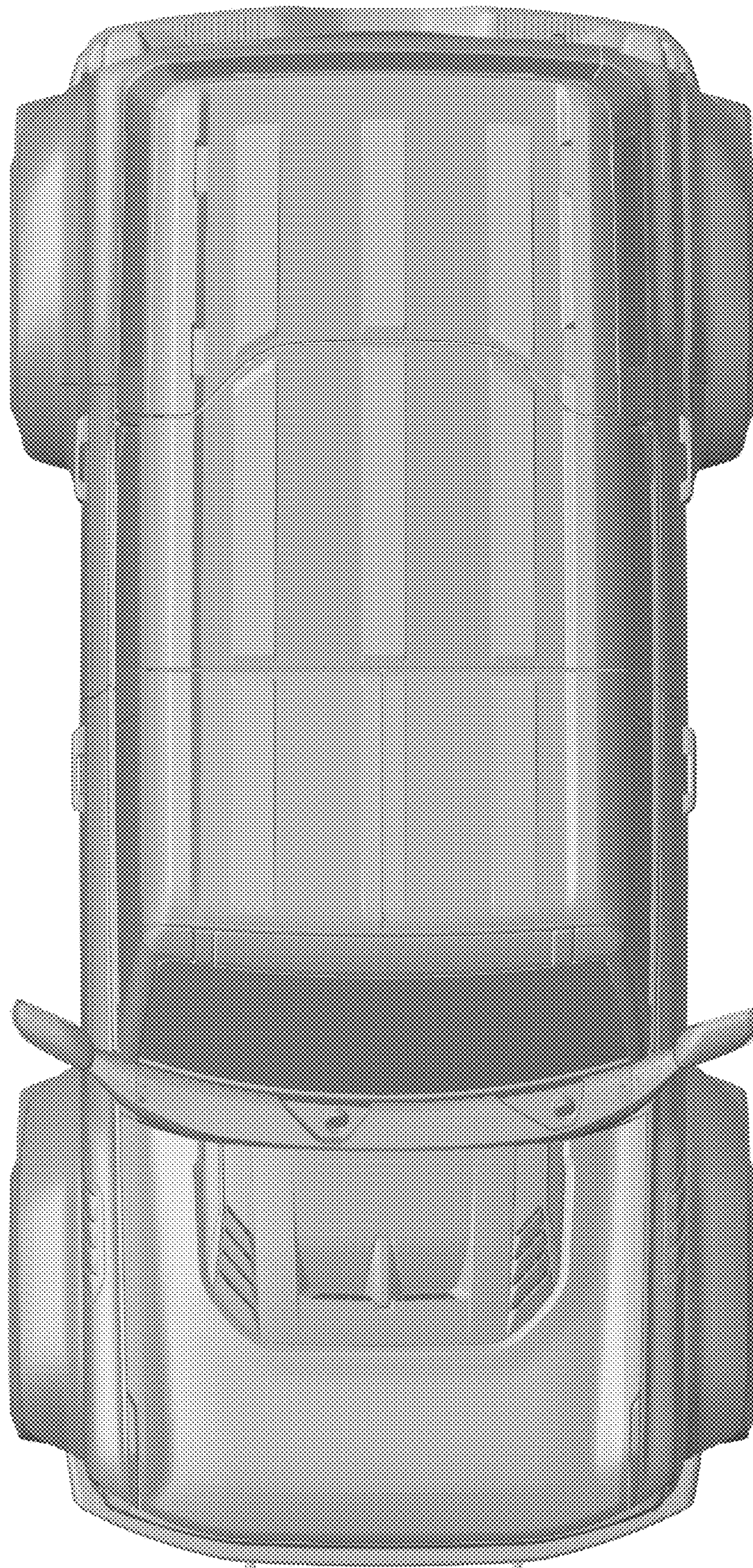


Fig. 5

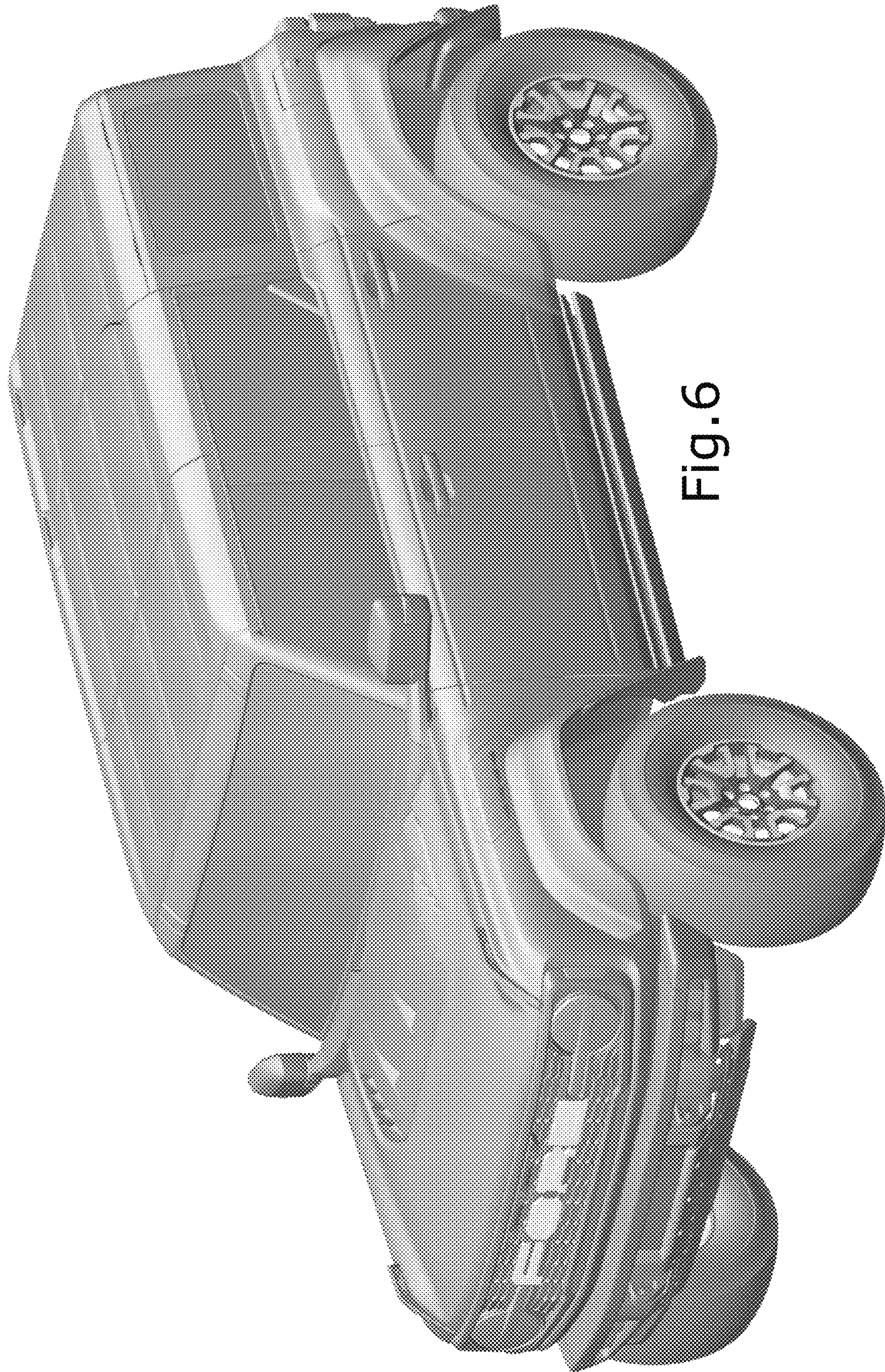


Fig. 6

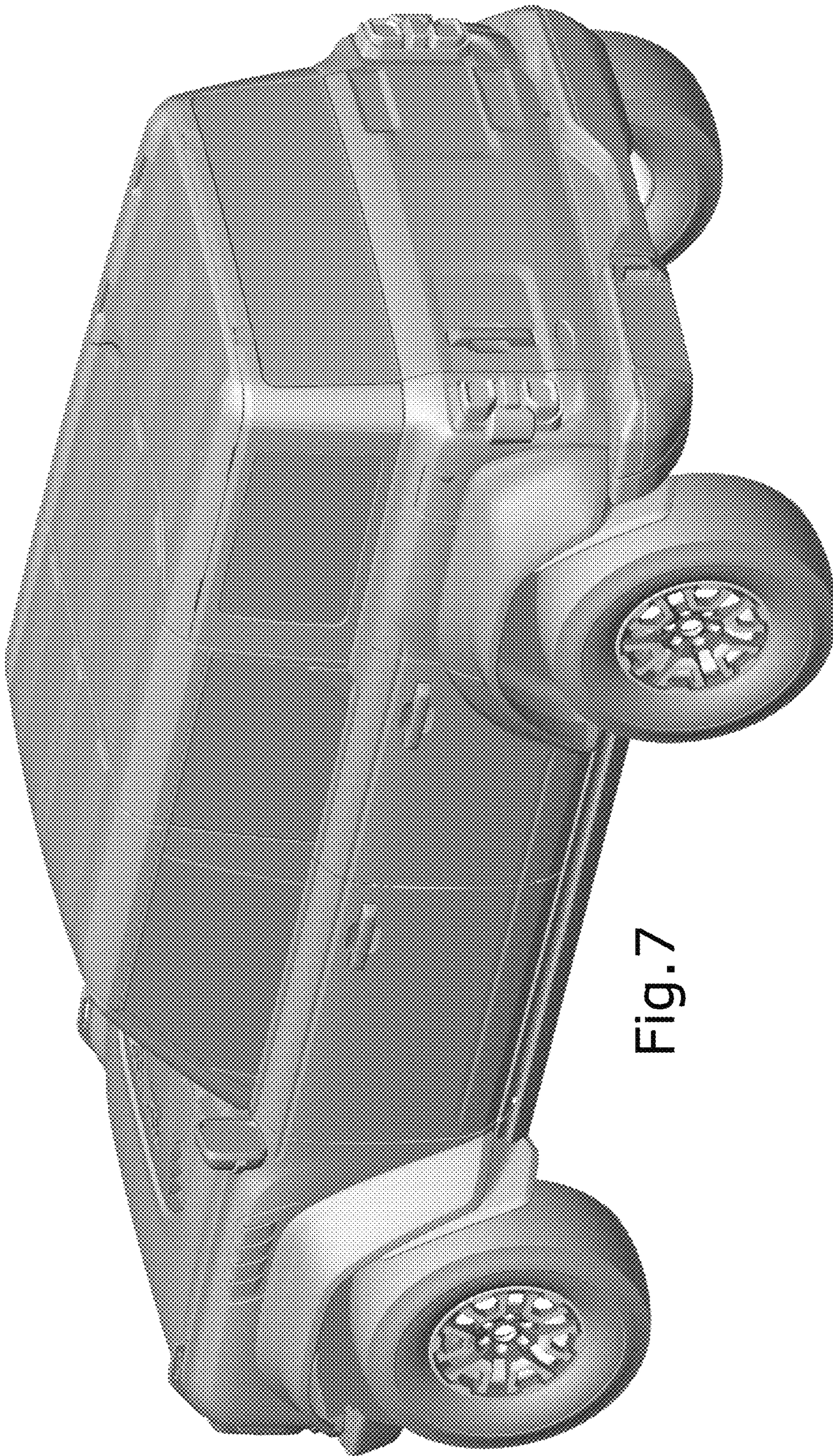


Fig. 7

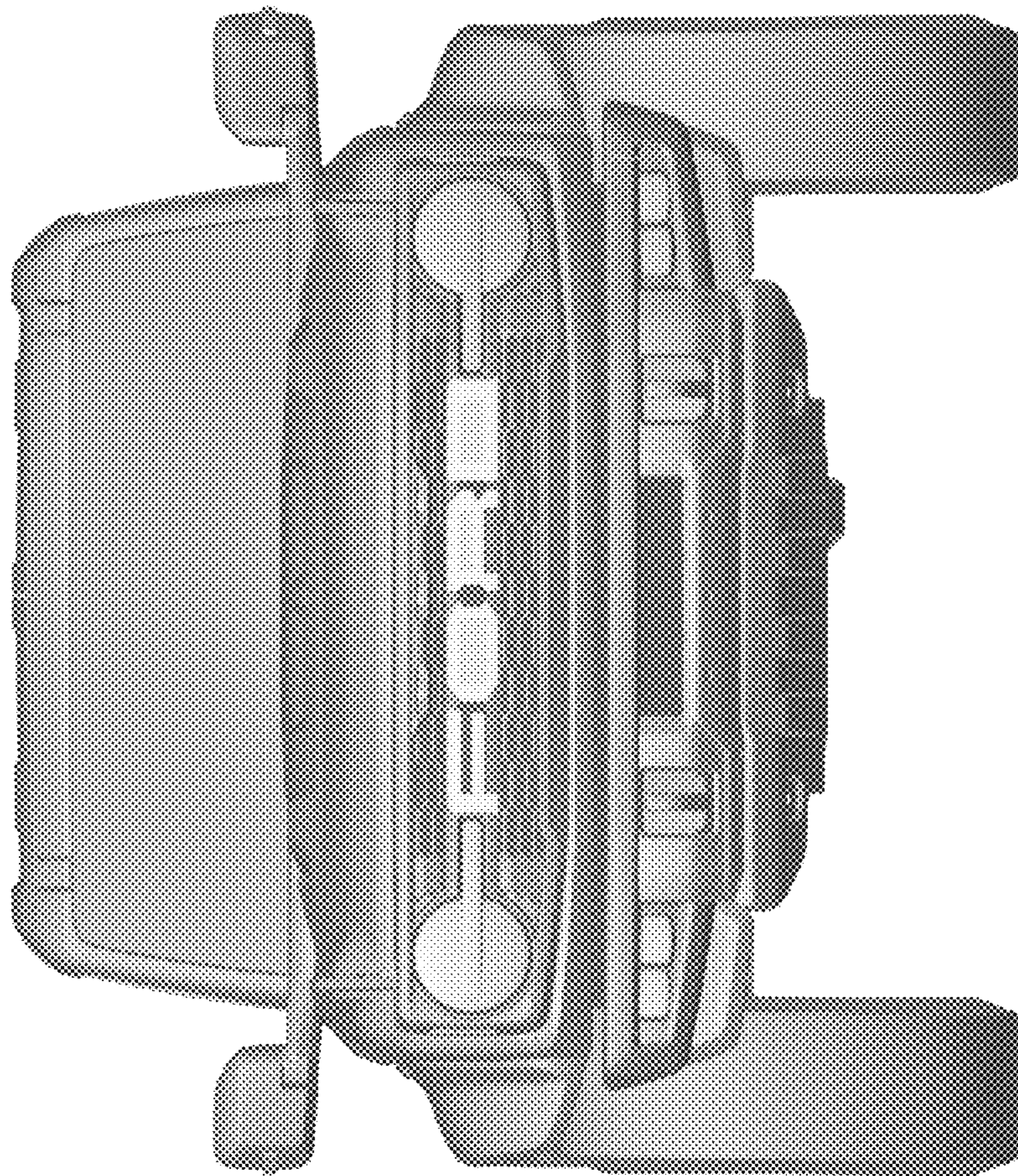


Fig. 8

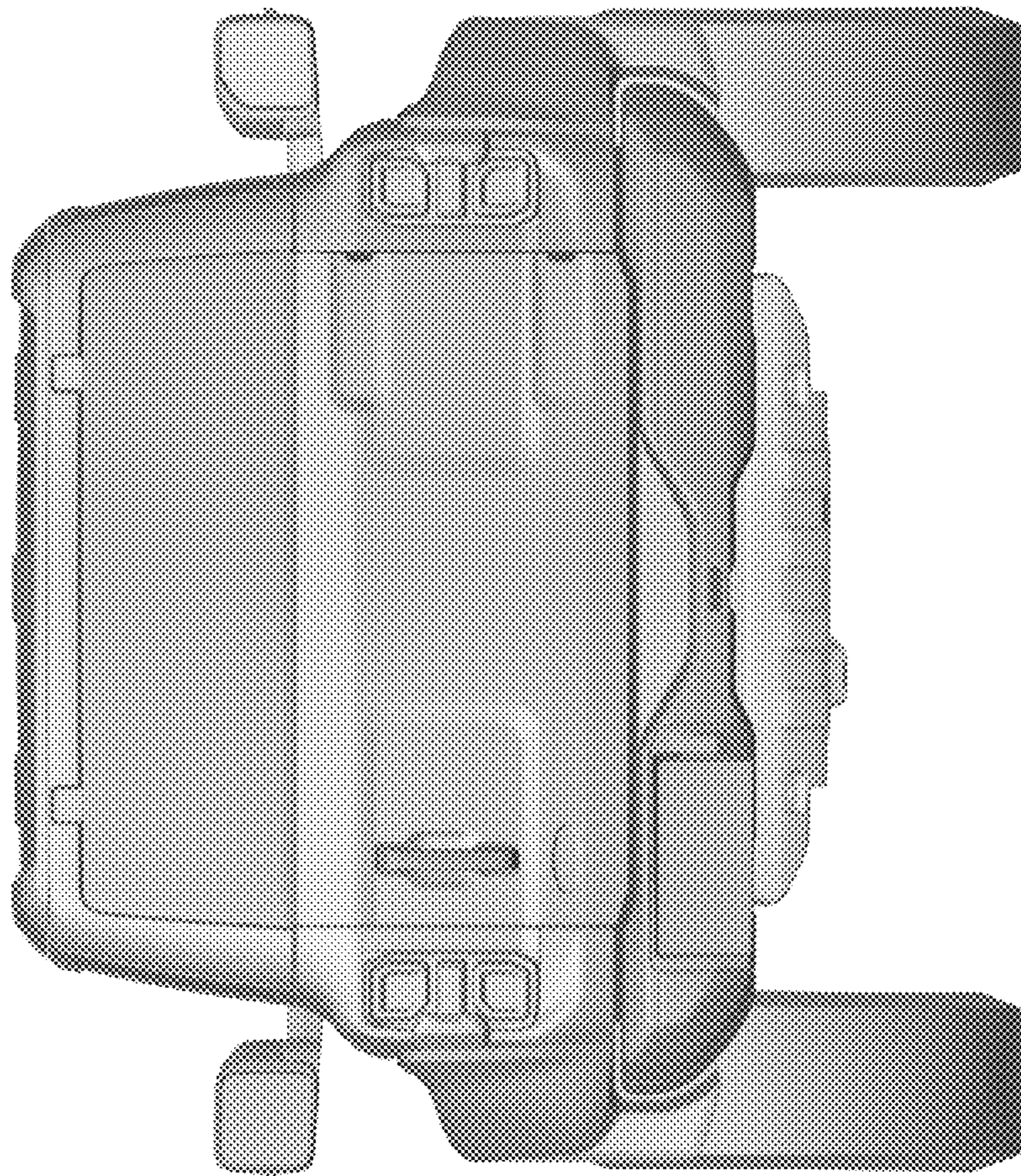


Fig. 9

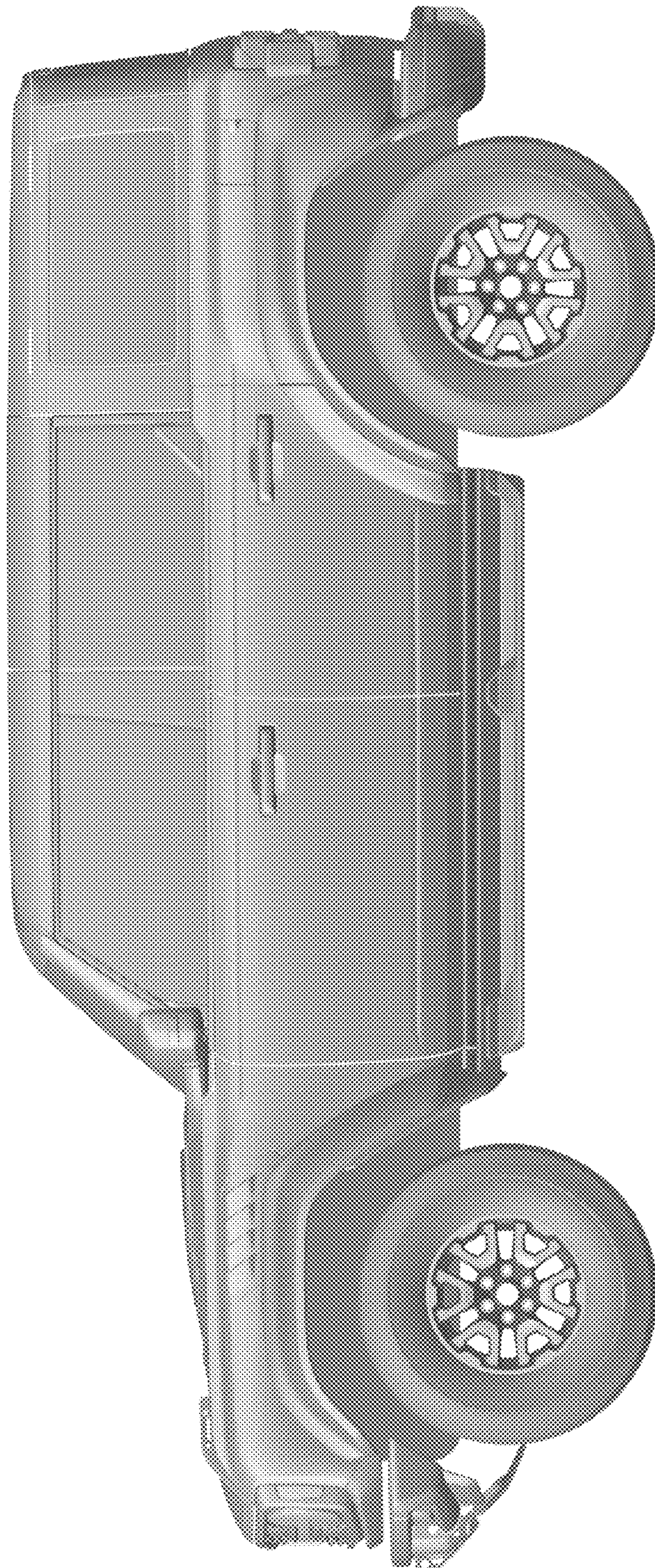


Fig. 10

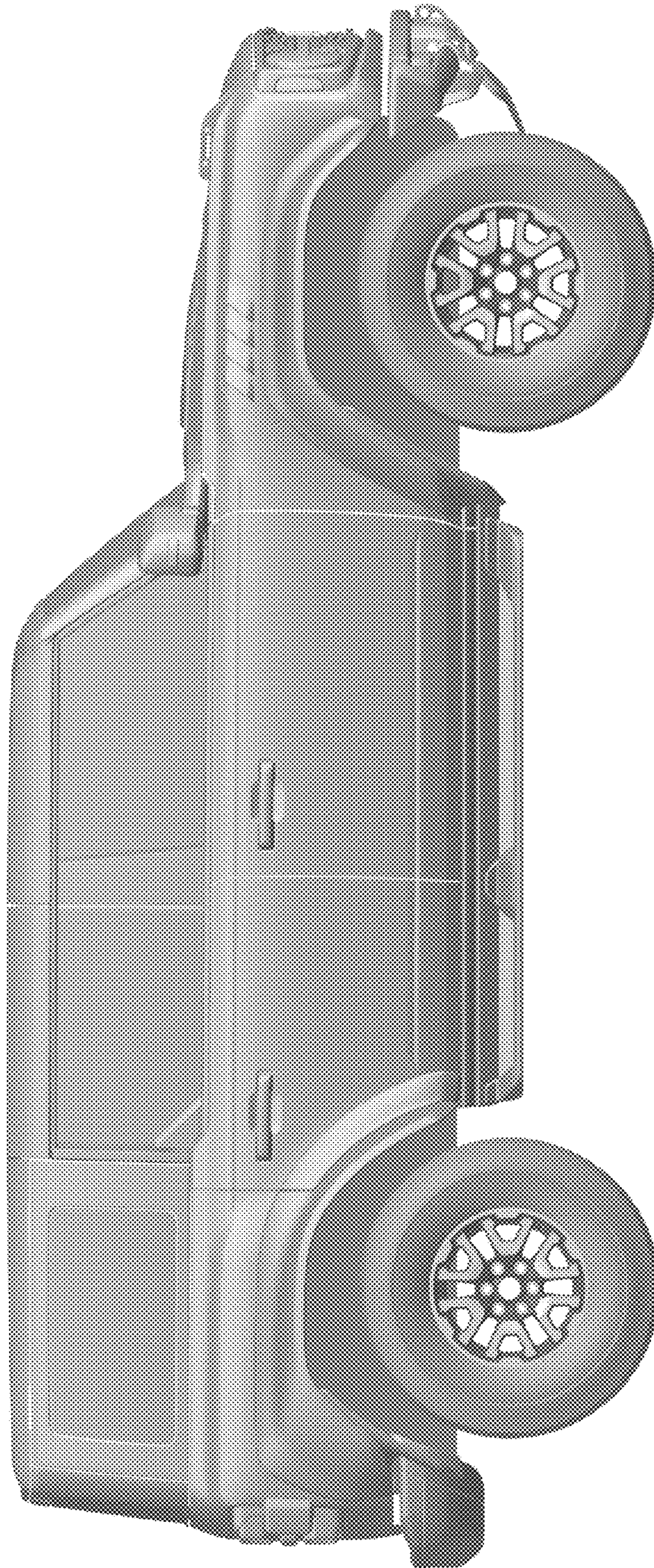


Fig. 11

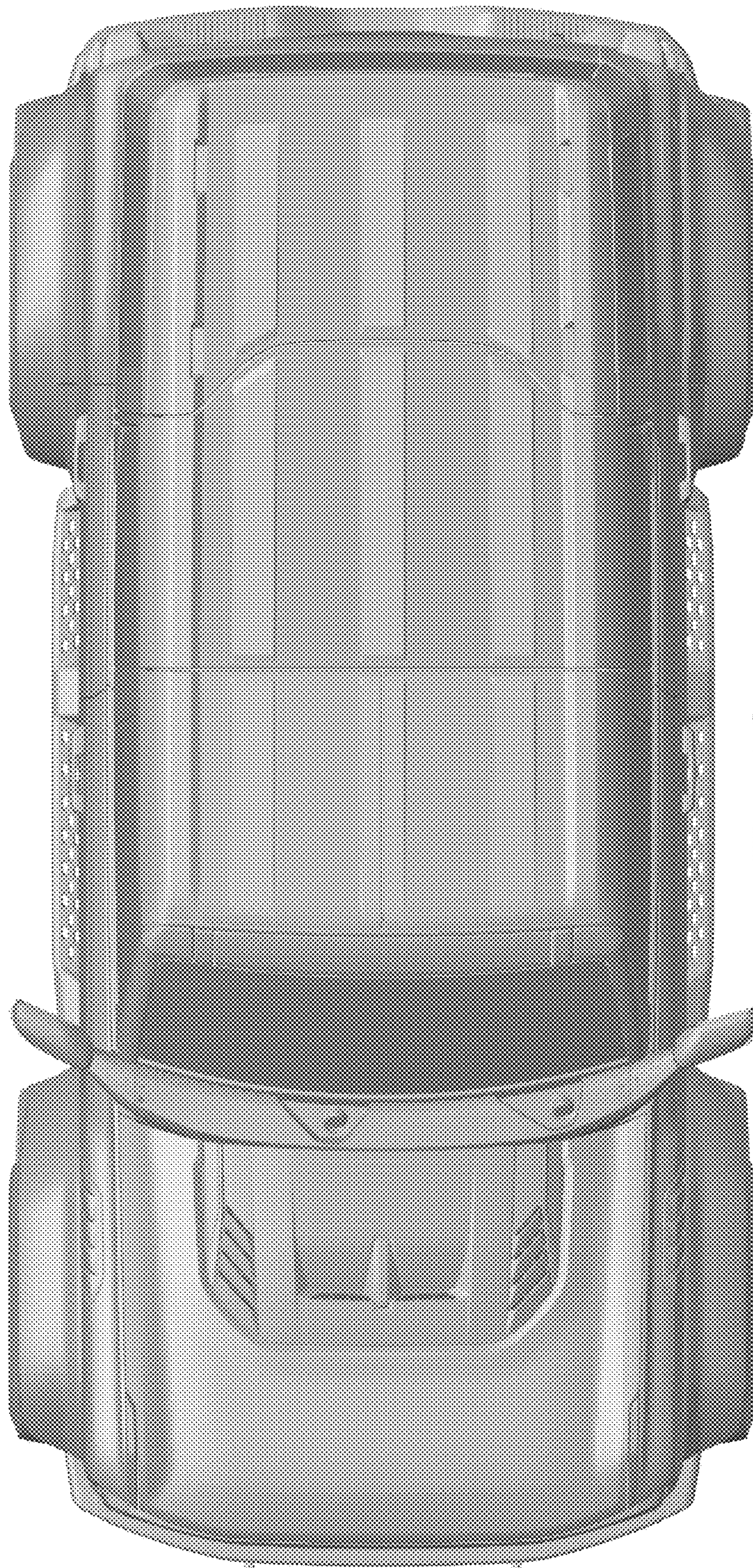


Fig. 12

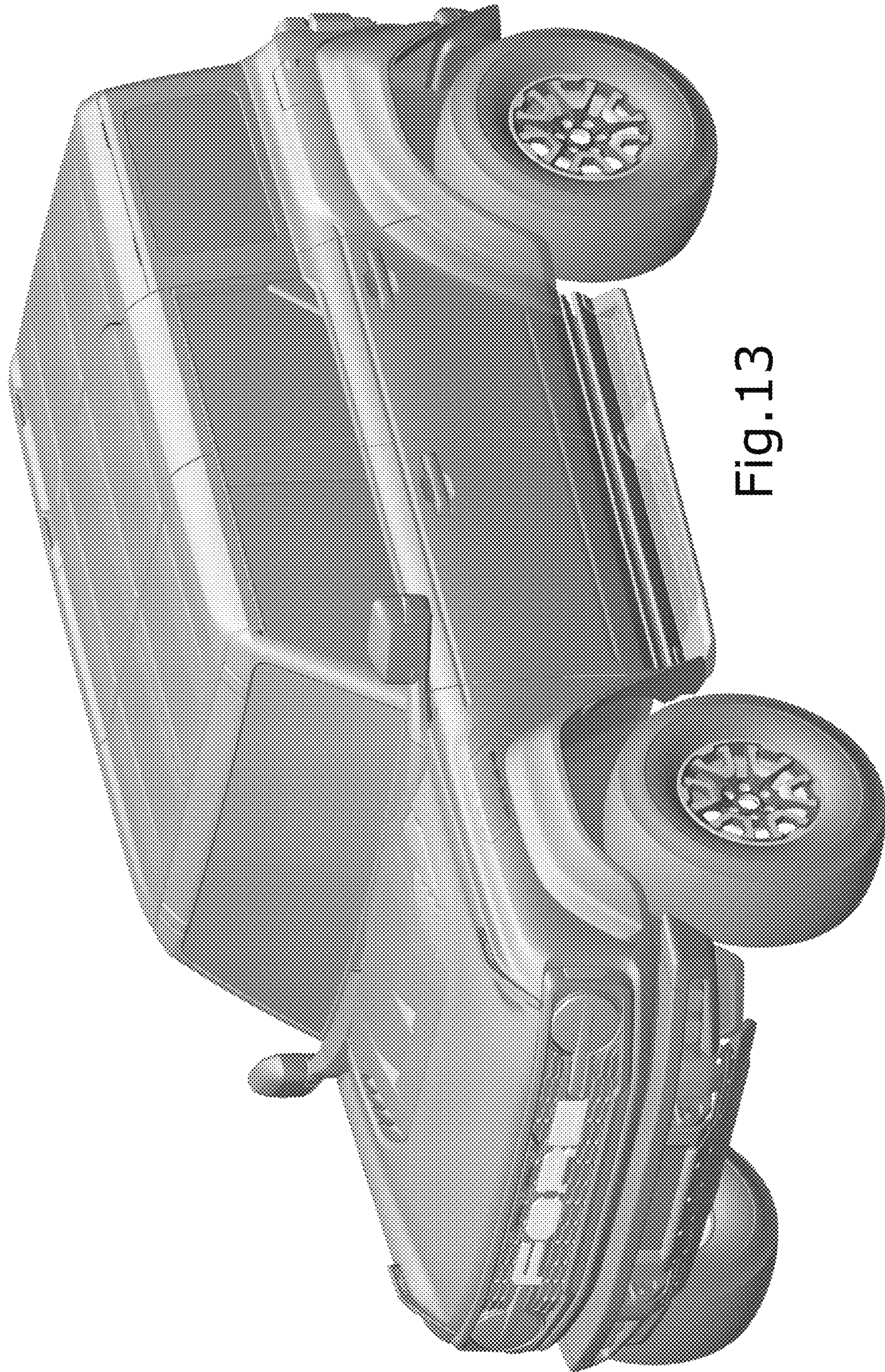


Fig. 13

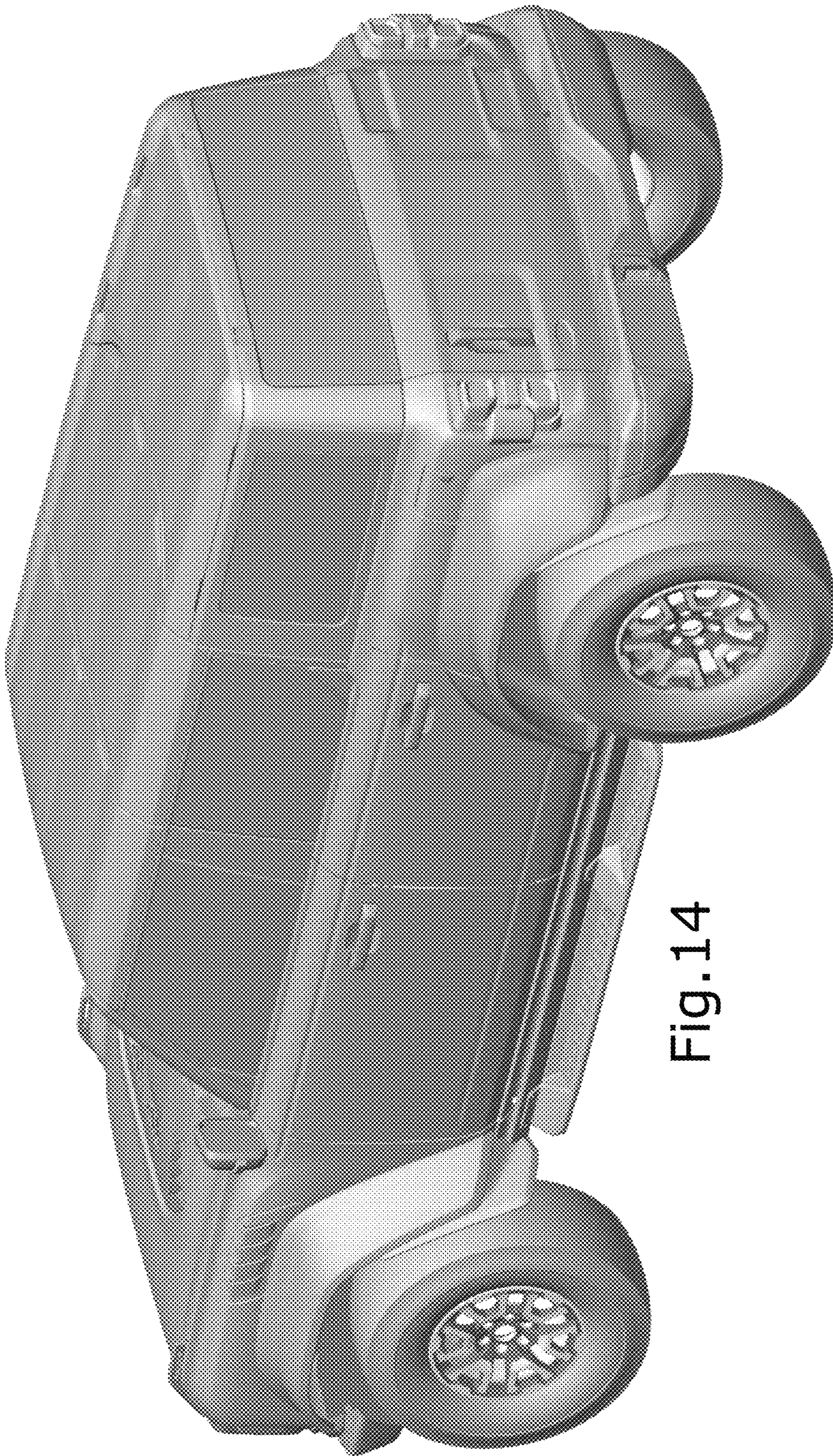


Fig. 14