



US00D942894S

(12) **United States Design Patent**
Foxx et al.

(10) **Patent No.:** **US D942,894 S**
(45) **Date of Patent:** **** Feb. 8, 2022**

- (54) **ANGLED TRAINLINE SUPPORT CASTING**
- (71) Applicant: **Strato, Inc.**, Piscataway, NJ (US)
- (72) Inventors: **Michael J. Foxx**, Hillsborough, NJ (US); **Jason Reiling**, Hillsborough, NJ (US)
- (73) Assignee: **STRATO, INC.**, Piscataway, NJ (US)
- (**) Term: **15 Years**
- (21) Appl. No.: **29/713,216**
- (22) Filed: **Nov. 14, 2019**
- (51) **LOC (13) Cl.** **12-03**
- (52) **U.S. Cl.**
USPC **D12/48**
- (58) **Field of Classification Search**
USPC D12/42, 43, 45, 47, 48, 49, 51; D8/363
CPC B60T 17/046; B61G 5/08
See application file for complete search history.

4,896,500 A	1/1990	Pavel et al.	
5,131,269 A	7/1992	Blosnick et al.	
5,176,350 A	1/1993	McQuistian	
5,287,739 A	2/1994	Kingsbury	
D358,544 S	5/1995	Esworthy	
6,135,665 A	10/2000	Alfieri et al.	
6,581,791 B2	6/2003	Flint et al.	
6,588,966 B2	7/2003	Kane et al.	
6,745,910 B2	6/2004	Flint et al.	
7,267,306 B2 *	9/2007	Eason	B61G 5/08 213/76
D553,957 S	10/2007	Brassard	
7,780,022 B2	8/2010	Vermesi et al.	
D625,661 S	10/2010	Vermesi et al.	
D752,305 S *	3/2016	DePietro	D32/50
9,366,361 B2 *	6/2016	Miner	B61G 5/08
9,625,060 B2 *	4/2017	Maki	F16L 3/1222
D801,791 S *	11/2017	DePietro	D8/376
10,281,060 B2 *	5/2019	Maki	B60T 17/046
10,647,310 B2 *	5/2020	Songer	B60T 17/046
2004/0155005 A1	8/2004	Murphy	
2006/0163442 A1	7/2006	Eason et al.	

(Continued)

Primary Examiner — Ania Aman

(74) Attorney, Agent, or Firm — AP Patents; Alexander Pokot

(56) **References Cited**

U.S. PATENT DOCUMENTS

2,996,315 A	8/1961	Roth et al.	
3,344,935 A	10/1967	Stewart et al.	
3,567,041 A	3/1971	Seay et al.	
3,587,868 A	6/1971	Yates	
4,069,836 A	1/1978	Sowinski	
4,099,702 A	7/1978	Temple	
4,129,323 A *	12/1978	Wilson	B60D 1/62 285/69
4,133,561 A	1/1979	Cannon et al.	
4,215,881 A	8/1980	Scott et al.	
4,392,575 A	7/1983	Baker et al.	
4,520,662 A	6/1985	Schmid	
4,592,217 A	6/1986	Fernandez et al.	
4,665,858 A	5/1987	Harrigal et al.	
4,691,563 A	9/1987	Martin	
4,876,885 A	10/1989	Martin et al.	

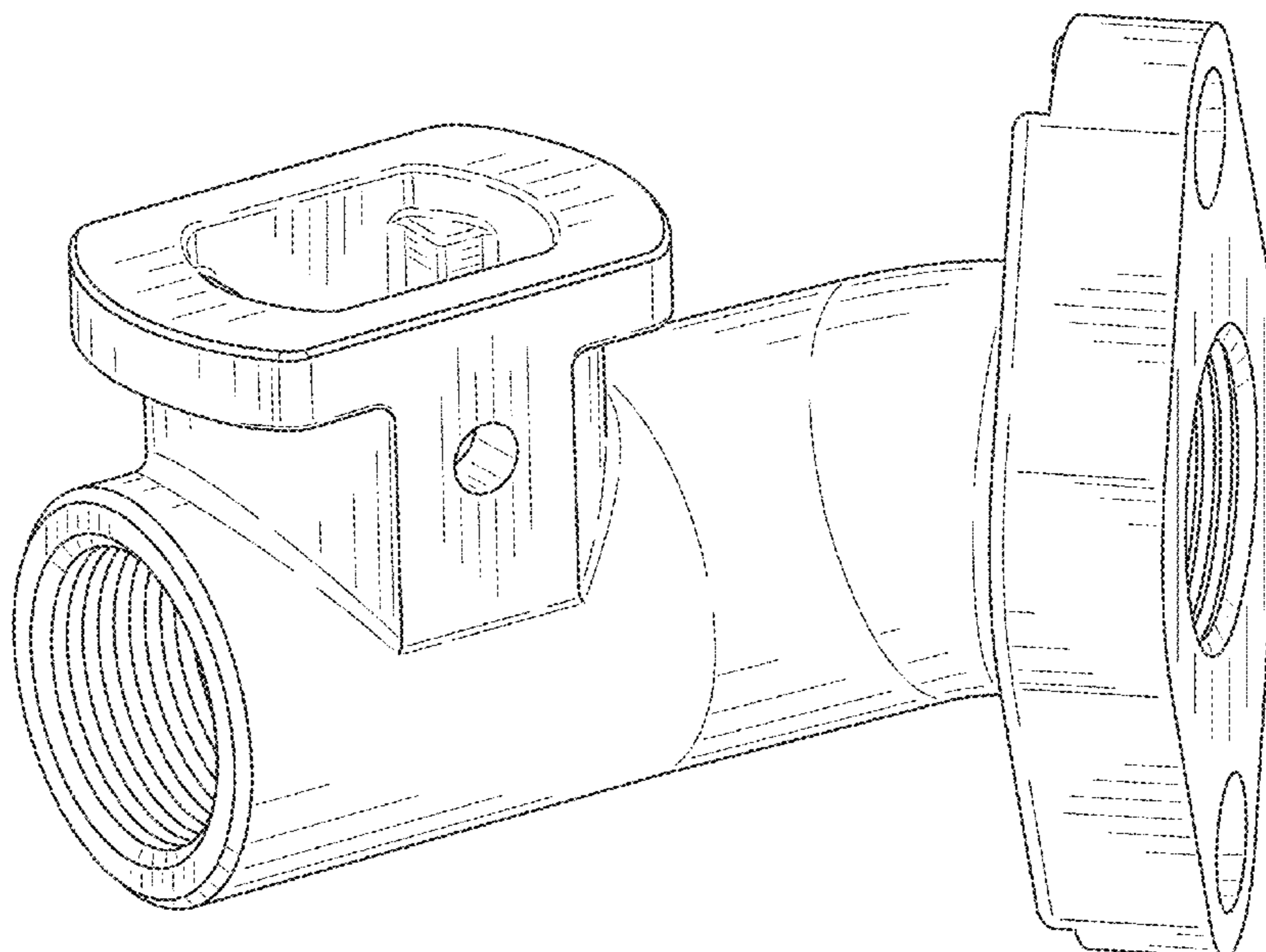
(57) **CLAIM**

The ornamental design for an angled trainline support casting, as shown and described.

DESCRIPTION

FIG. 1 is a perspective view thereof;
FIG. 2 is a side elevation view thereof;
FIG. 3 is a side elevation view thereof;
FIG. 4 is a front elevation view;
FIG. 5 is a rear elevation view;
FIG. 6 is a top view thereof; and,
FIG. 7 is a bottom view thereof.

1 Claim, 4 Drawing Sheets



(56)

References Cited

U.S. PATENT DOCUMENTS

2016/0123502 A1* 5/2016 Maki F16L 3/127
29/525.01
2019/0031213 A1* 1/2019 Songer B60T 17/046

* cited by examiner

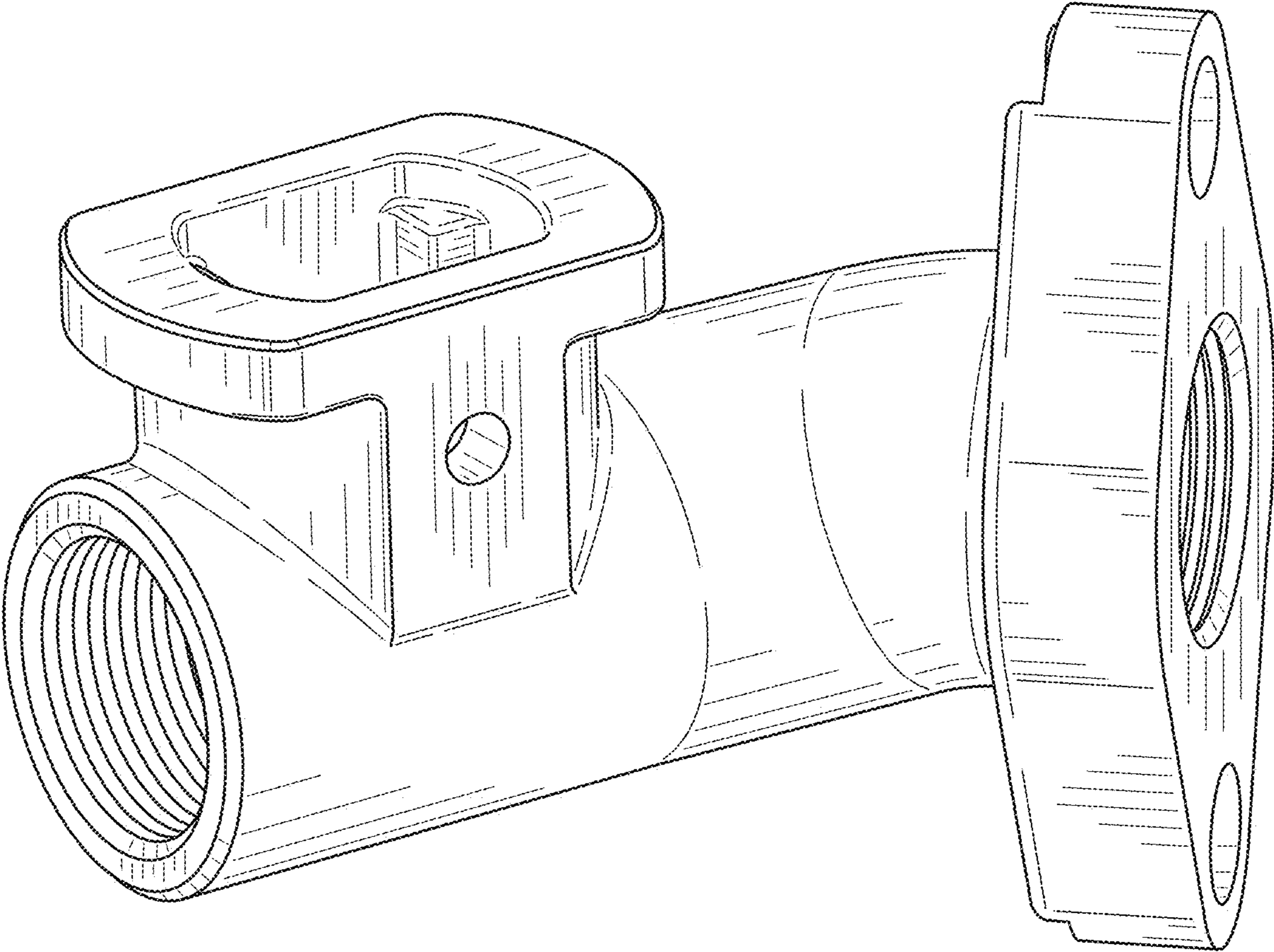


FIG. 1

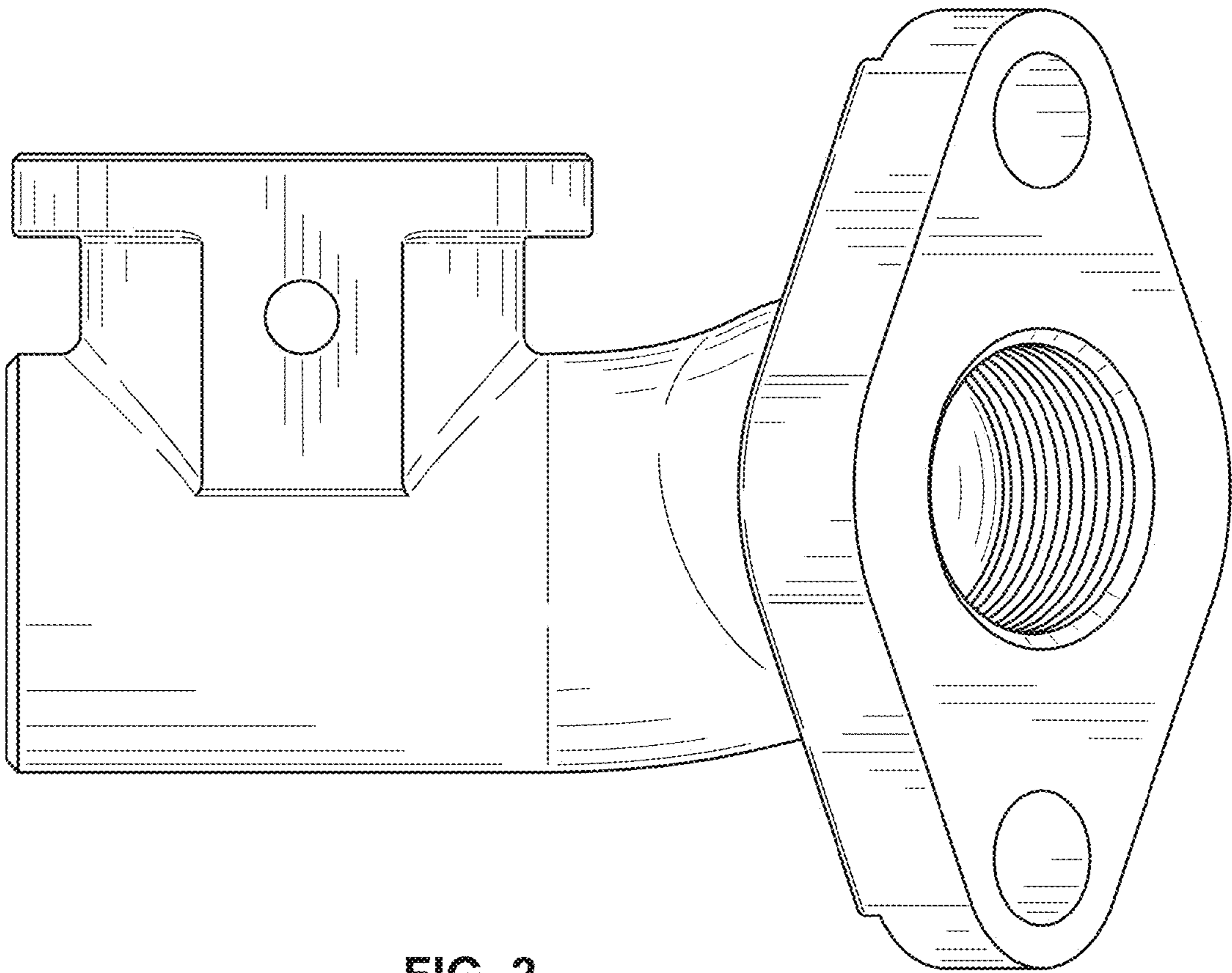


FIG. 2

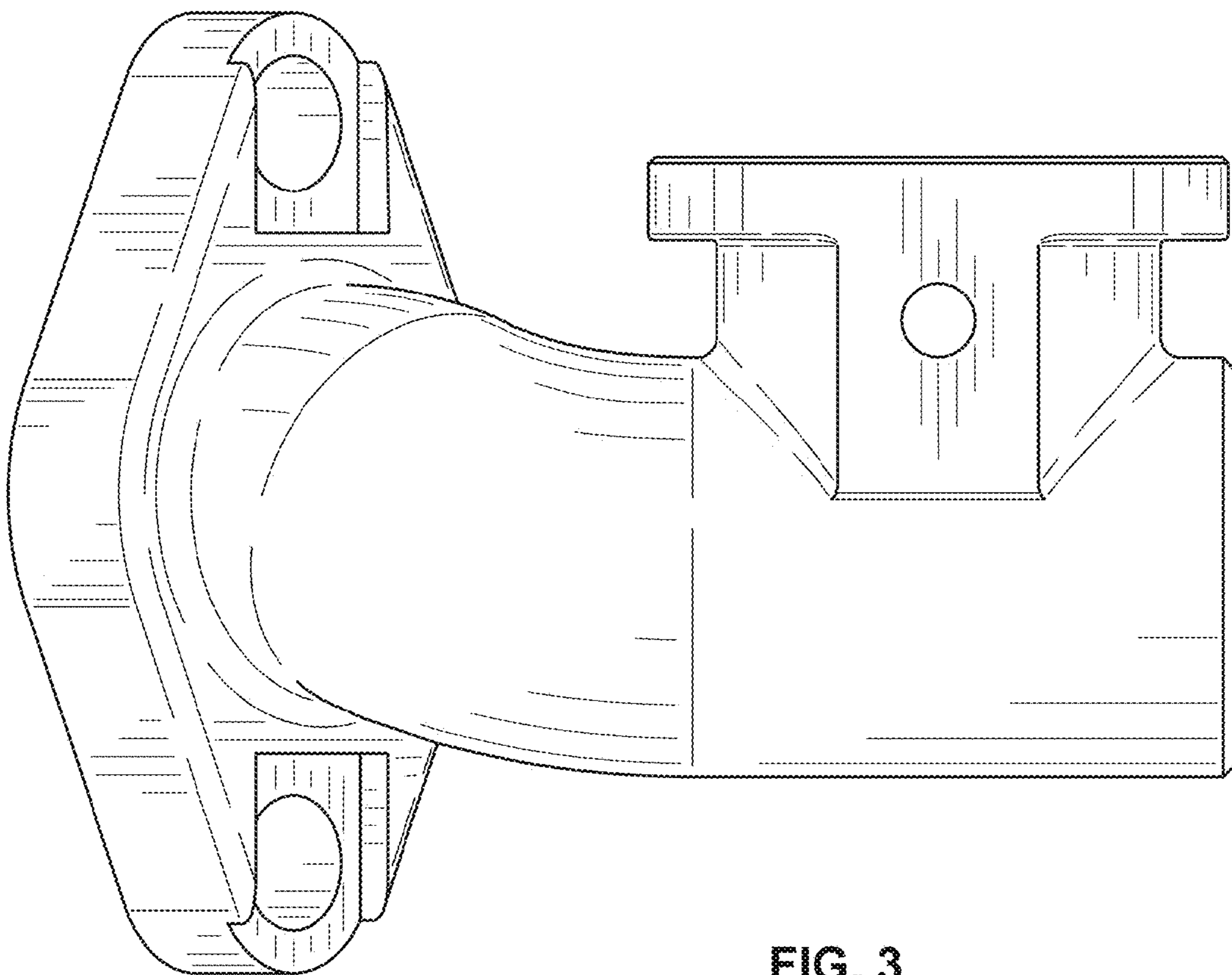


FIG. 3

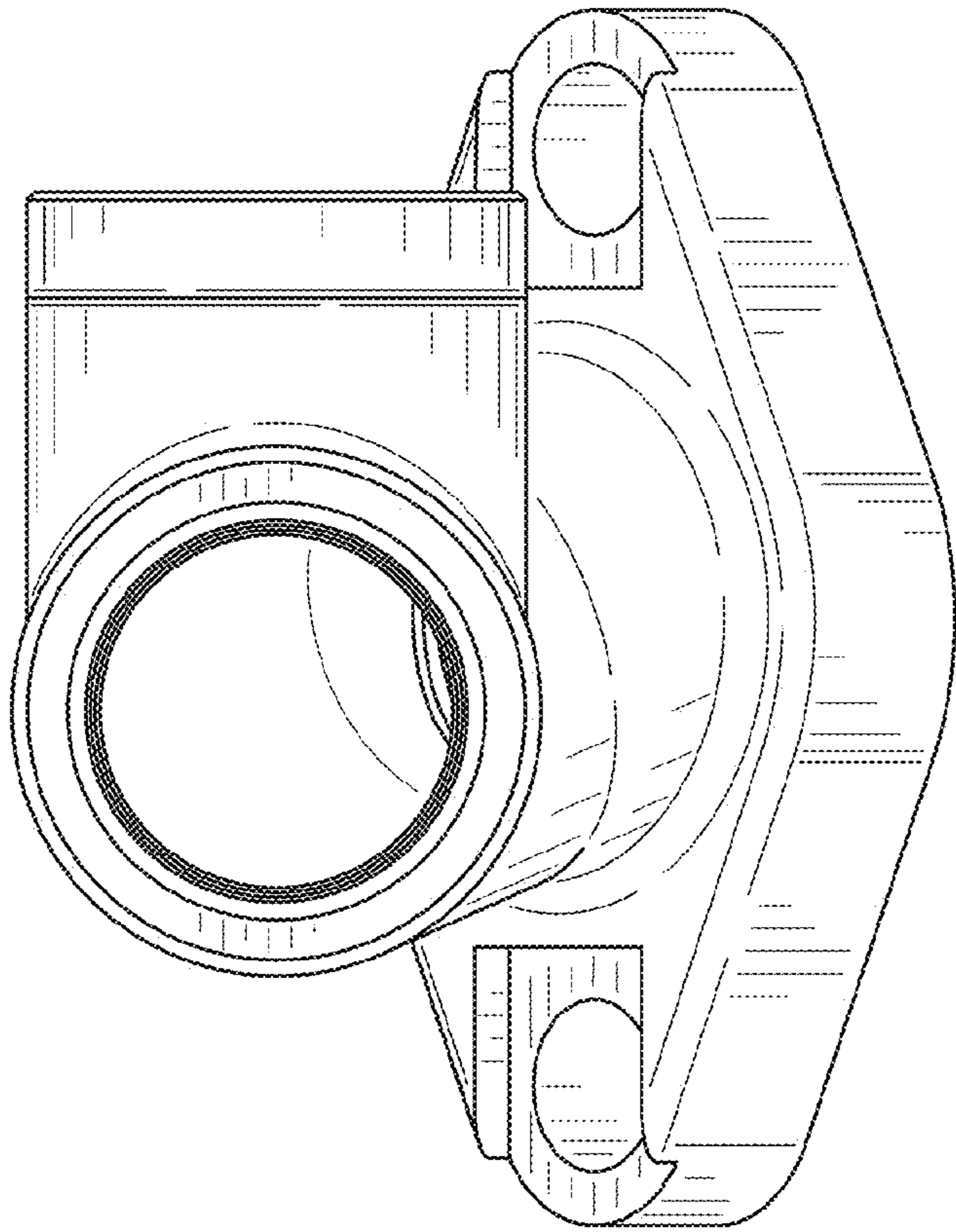


FIG. 4

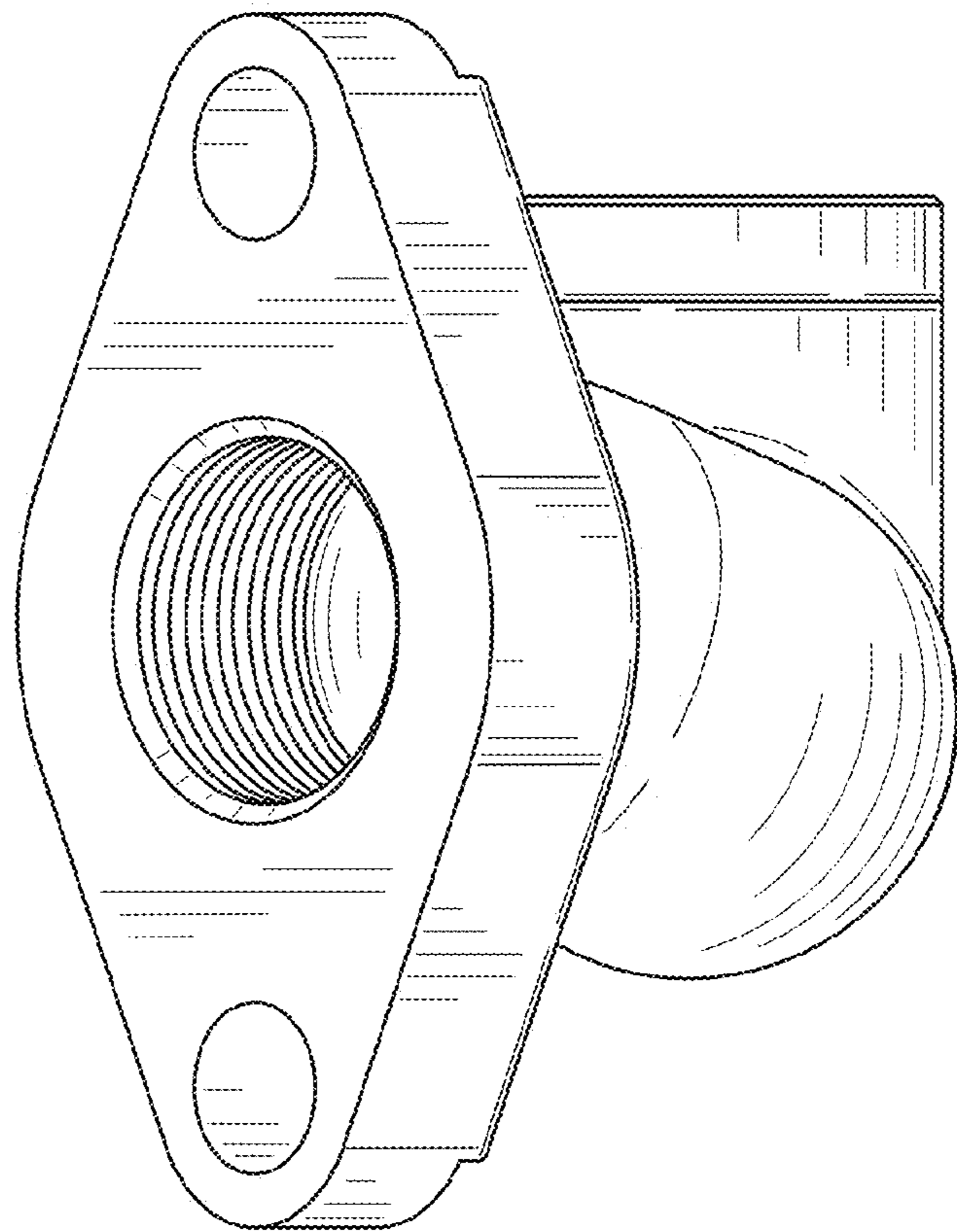


FIG. 5

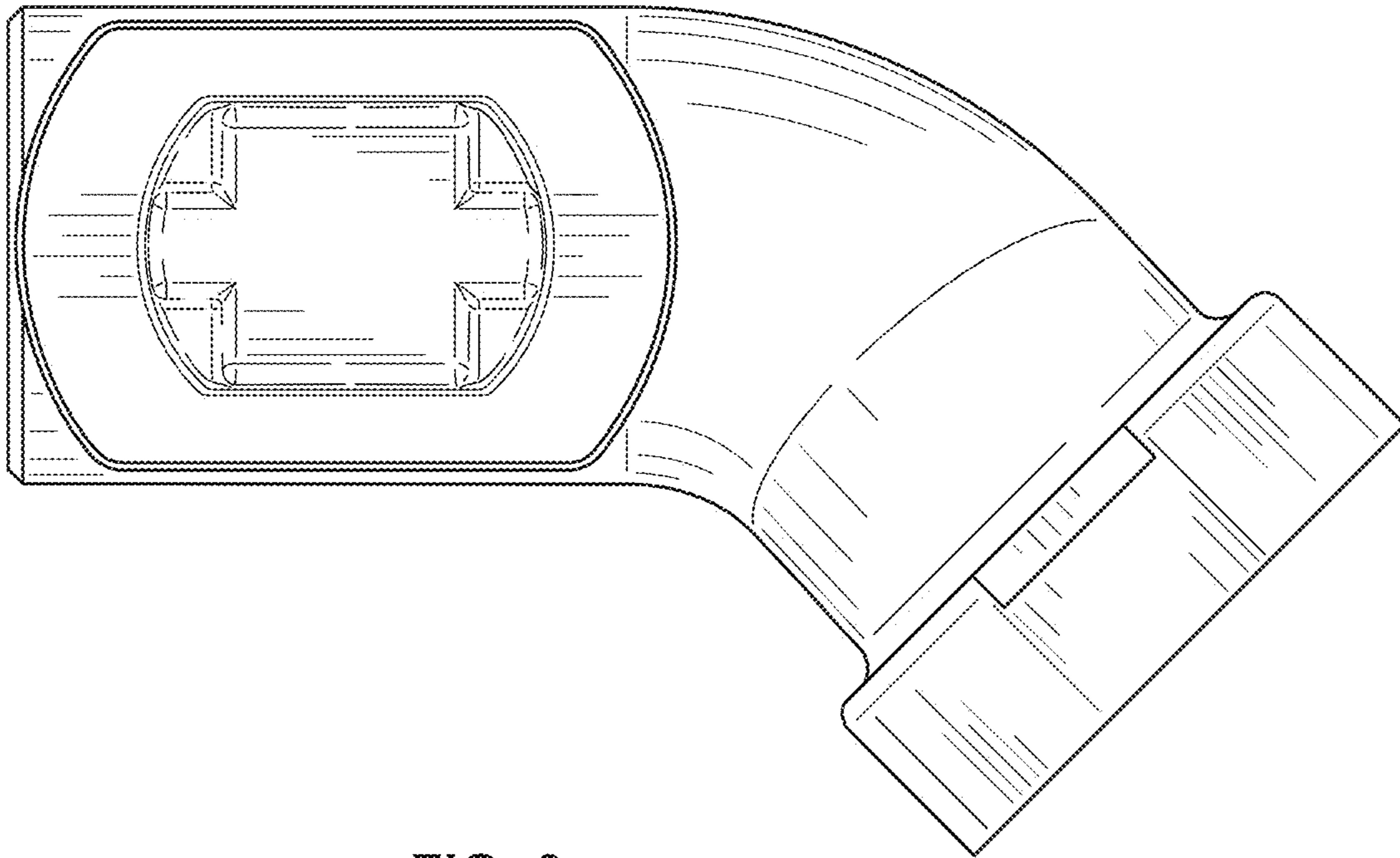


FIG. 6

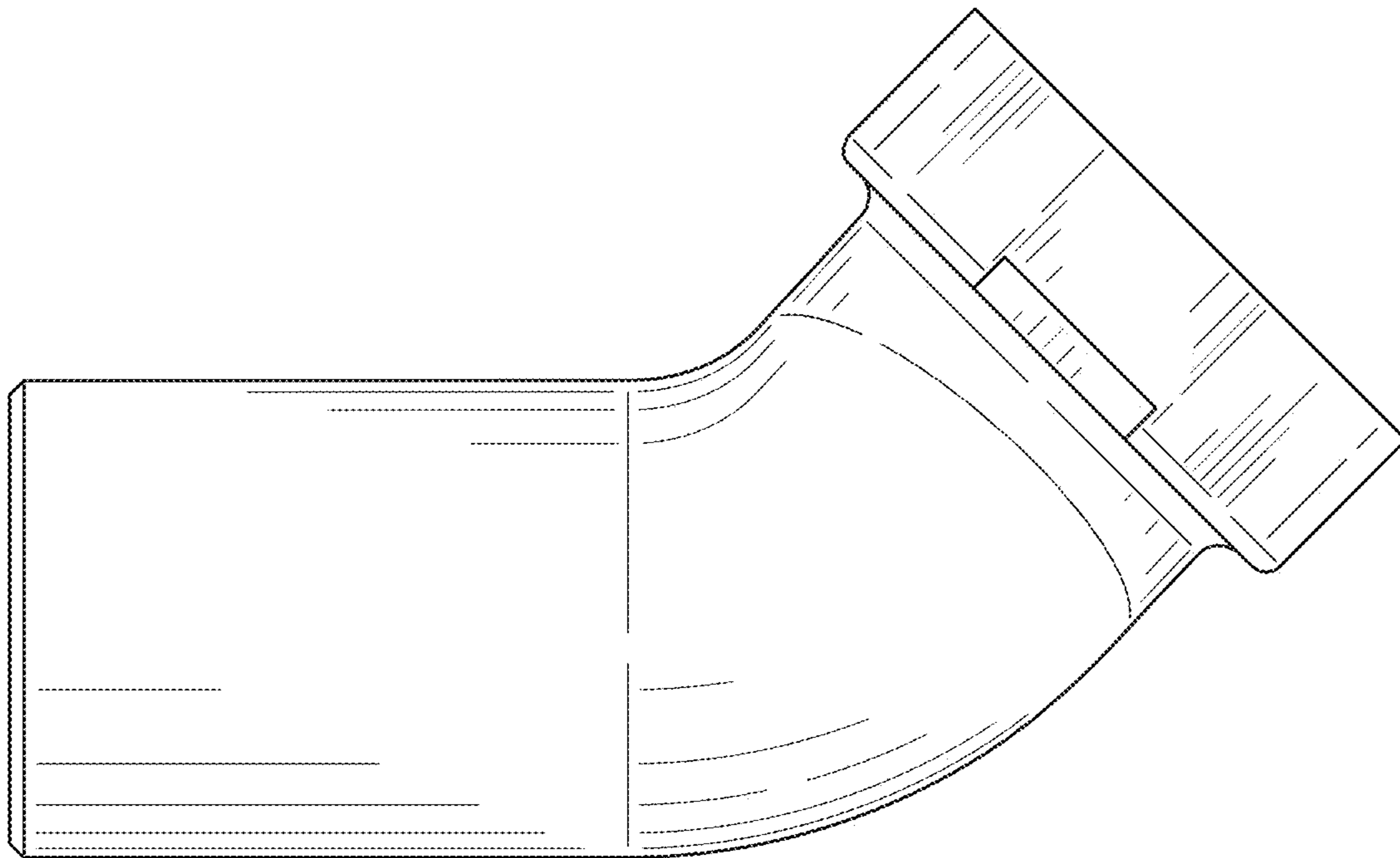


FIG. 7