



US00D942890S

(12) **United States Design Patent**  
**Montagano**

(10) **Patent No.:** **US D942,890 S**  
(45) **Date of Patent:** **\*\* Feb. 8, 2022**

- (54) **PROPAGATION TRAY**
- (71) Applicant: **MONDI PRODUCTS LTD.,**  
Vancouver (CA)
- (72) Inventor: **Michael Montagano,** Vancouver (CA)
- (73) Assignee: **MONDI PRODUCTS LTD.,**  
Vancouver (CA)
- (\*\*) Term: **15 Years**
- (21) Appl. No.: **29/699,730**
- (22) Filed: **Jul. 29, 2019**
- (30) **Foreign Application Priority Data**  
Apr. 24, 2019 (CA) ..... 187138
- (51) **LOC (13) Cl.** ..... **11-02**
- (52) **U.S. Cl.**  
USPC ..... **D11/155**
- (58) **Field of Classification Search**  
USPC ..... D3/304, 315; D6/403, 404, 405, 680.2;  
D26/55

(Continued)

- (56) **References Cited**  
U.S. PATENT DOCUMENTS  
D210,750 S \* 4/1968 Paxton ..... D11/155  
D259,777 S \* 7/1981 Ehrreich ..... D11/155  
(Continued)

**OTHER PUBLICATIONS**

Monster Gardens website, Mondi black and white propagation tray, Publication date unknown, [site visited Feb. 21, 2021], Available on the Internet URL <https://monstergardens.com/mondi-black-and-white-propagation-tray-10-x-20-25-pack.html> (Year: 2021).\*

(Continued)

*Primary Examiner* — Karen S Acker  
*Assistant Examiner* — Steven B Reinholdt, Jr.

(74) *Attorney, Agent, or Firm* — Moore & Van Allen PLLC; Jeffrey R. Gray

(57) **CLAIM**

The ornamental design for a propagation tray, as shown and described.

**DESCRIPTION**

FIG. 1 is a front perspective view of a first embodiment of a propagation tray;  
 FIG. 2 is a front view of the propagation tray of FIG. 1;  
 FIG. 3 is a side elevation view of one side of the propagation tray of FIG. 1;  
 FIG. 4 is a side view of the propagation tray of FIG. 1;  
 FIG. 5 is a top perspective view of the propagation tray of FIG. 1;  
 FIG. 6 is an enlarged detail view of area 6 circumscribed within the propagation tray of FIG. 5;  
 FIG. 7 is a bottom perspective view of the propagation tray of FIG. 1;  
 FIG. 8 is a perspective view of the propagation tray of FIG. 1 in a use configuration with environment;  
 FIG. 9 is a perspective view of the propagation tray of FIG. 1 in a use configuration with environment;  
 FIG. 10 is a perspective view of the propagation tray of FIG. 1 in a use configuration with environment;  
 FIG. 11 is a front perspective view of a second embodiment of a propagation tray;  
 FIG. 12 is a front view of the propagation tray of FIG. 11;  
 FIG. 13 is a side elevation view of one side of the propagation tray of FIG. 11;  
 FIG. 14 is a side view of the propagation tray of FIG. 11;  
 FIG. 15 is a top perspective view of the propagation tray of FIG. 11;  
 FIG. 16 is an enlarged detail view of area 16 circumscribed within the propagation tray of FIG. 15;  
 FIG. 17 is a bottom perspective view of the propagation tray of FIG. 11;  
 FIG. 18 is a perspective view of the propagation tray of FIG. 11 in a use configuration with environment;  
 FIG. 19 is a perspective view of a propagation tray of FIG. 11 in a use configuration with environment;

(Continued)

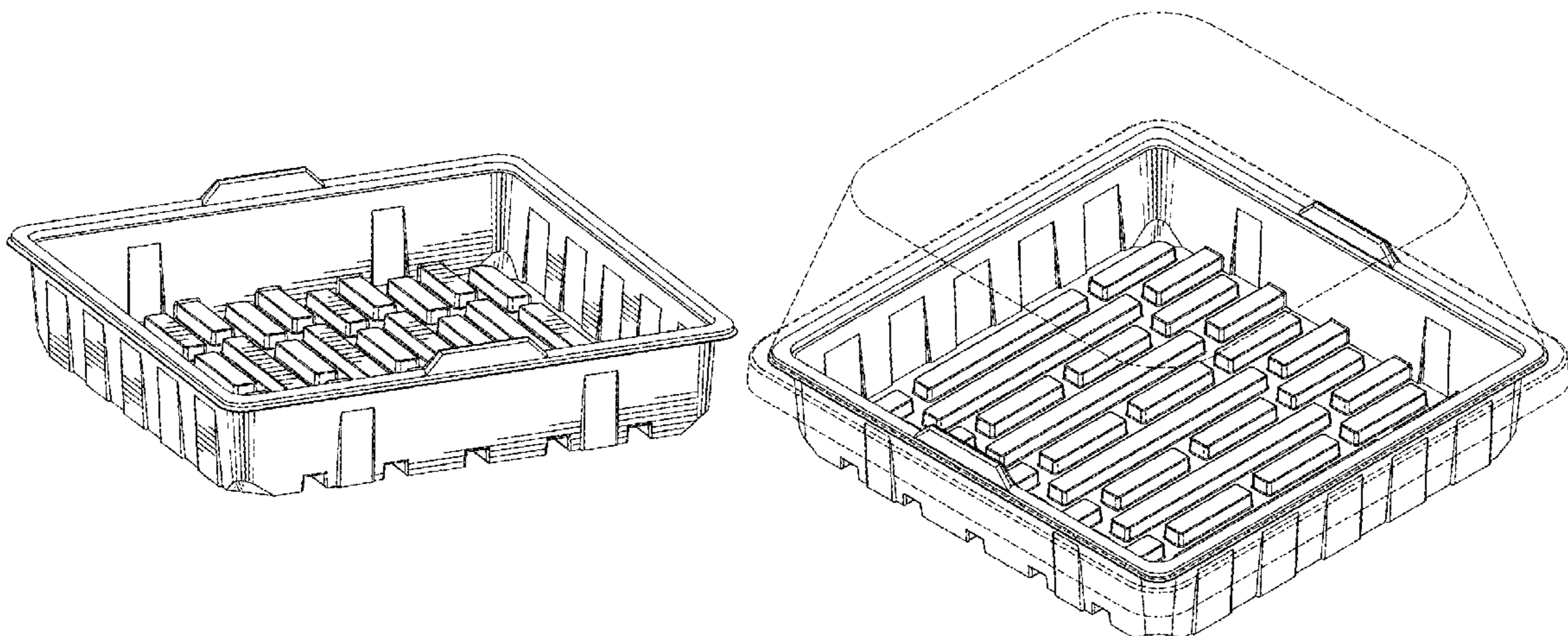


FIG. 20 is a perspective view of the propagation tray of FIG. 11 in a use configuration with environment;  
 FIG. 21 is a front perspective view of a third embodiment of a propagation tray;  
 FIG. 22 is a front view of the propagation tray of FIG. 21;  
 FIG. 23 is a side elevation view of one side of the propagation tray of FIG. 21;  
 FIG. 24 is a side view of the propagation tray of FIG. 21;  
 FIG. 25 is a top perspective view of the propagation tray of FIG. 21;  
 FIG. 26 is an enlarged detail view of area 26 circumscribed within the propagation tray of FIG. 25;  
 FIG. 27 is a bottom perspective view of the propagation tray of FIG. 21;  
 FIG. 28 is a perspective view of a propagation tray of FIG. 21 in a use configuration with environment;  
 FIG. 29 is a perspective view of a propagation tray of FIG. 21 in a use configuration with environment; and,  
 FIG. 30 is a perspective view of the propagation tray of FIG. 21 in a use configuration with environment.  
 The dot dash dot broken lines in FIGS. 5, 6, 15, 16, 25, and 26 denote the boundaries of the enlargements that form no part of the claimed design. The evenly spaced broken lines in the figures depict environmental subject matter that forms no part of the claimed design.

**1 Claim, 21 Drawing Sheets**

(58) **Field of Classification Search**  
 CPC ..... A01G 9/02  
 See application file for complete search history.

(56)

**References Cited**

U.S. PATENT DOCUMENTS

D259,867	S	*	7/1981	Kenyon	.....	D11/155
4,349,124	A	*	9/1982	Faller	.....	B65D 1/44 220/608
D463,202	S	*	9/2002	Smith	.....	D7/359
D558,453	S	*	1/2008	Richter	.....	D3/304
D653,158	S	*	1/2012	Wardenburg	.....	D11/145
D654,162	S	*	2/2012	Sykes	.....	D23/393
D727,791	S	*	4/2015	Montagano	.....	D11/155
D750,996	S	*	3/2016	Butler	.....	D11/155
D793,161	S	*	8/2017	Fullmer	.....	D7/409
D831,532	S	*	10/2018	Larsen	.....	D11/143
2016/0143235	A1	*	5/2016	Torres	.....	A01G 31/02 47/60

OTHER PUBLICATIONS

Mondi website, Propagation Tray 1020, Earliest publication date on wayback machine Oct. 27, 2020, [site visited Feb. 21, 2021], Available on the Internet URL <https://web.archive.org/web/20201027061831/https://mondiproducts.com/product/propagation-tray-1020-no-holes/> (Year: 2020).\*

Growershouse website, Mondi Propagation Trays 10x20 with Holes, Publication date unknown, [site visited Feb. 21, 2021], Available on the Internet URL <https://growershouse.com/mondi-propagation-trays-10-x-20-with-holes> (Year: 2021).\*

Amazon website, Mondi 10"x20"Tray, Earliest comment date Mar. 27, 2017, [site visited Feb. 21, 2021], Available on the Internet URL <https://www.amazon.com/Mondi-Tray-Humidity-Dome-Propagation/dp/B01N1V1DWB> (Year: 2017).\*

\* cited by examiner

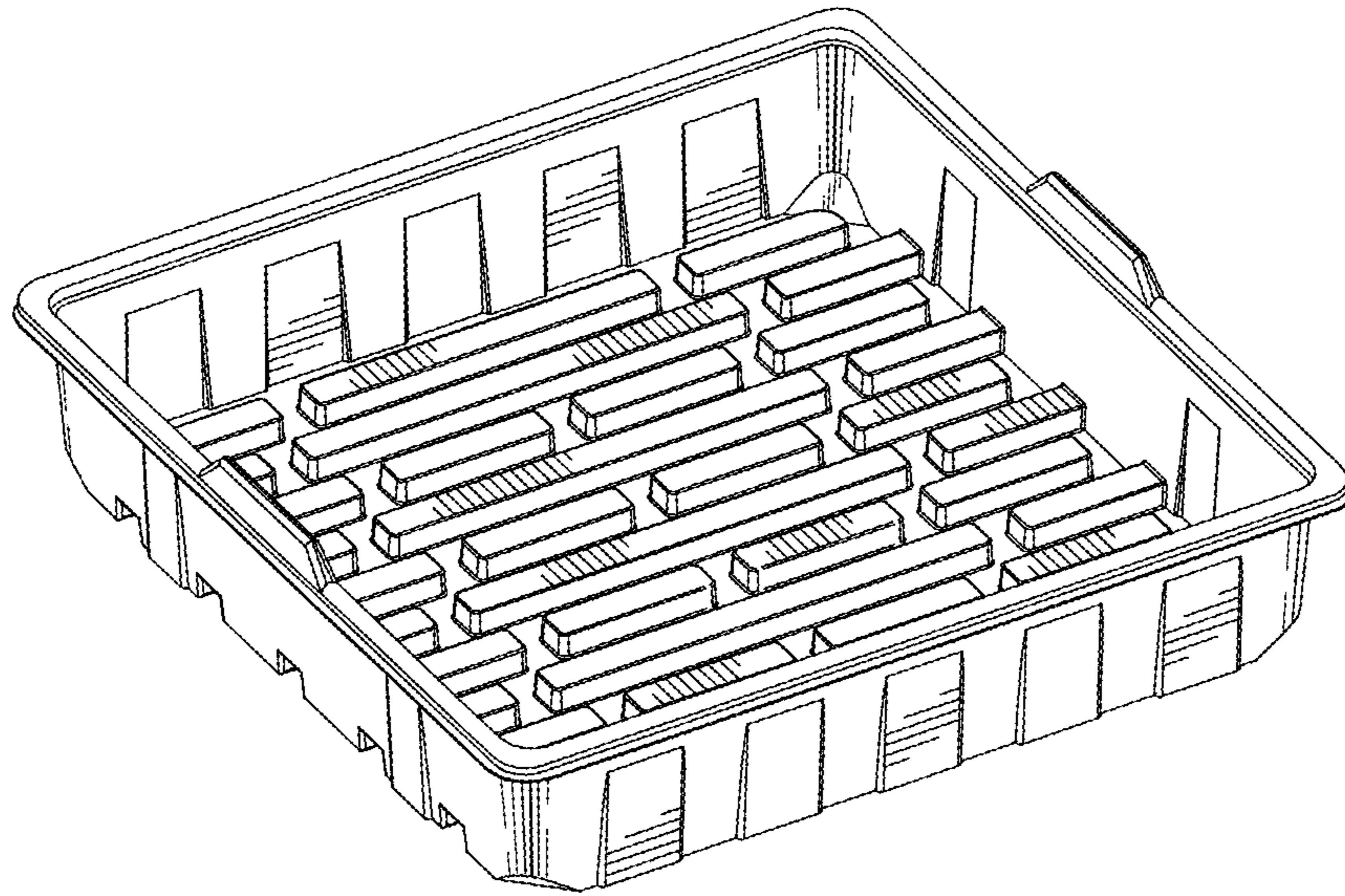


FIG. 1

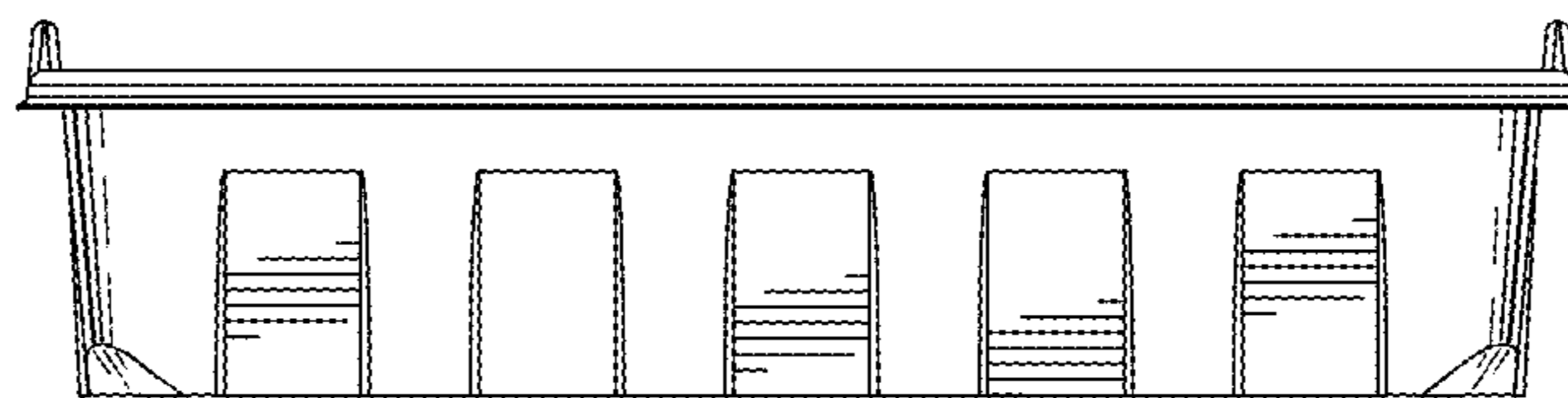


FIG. 2

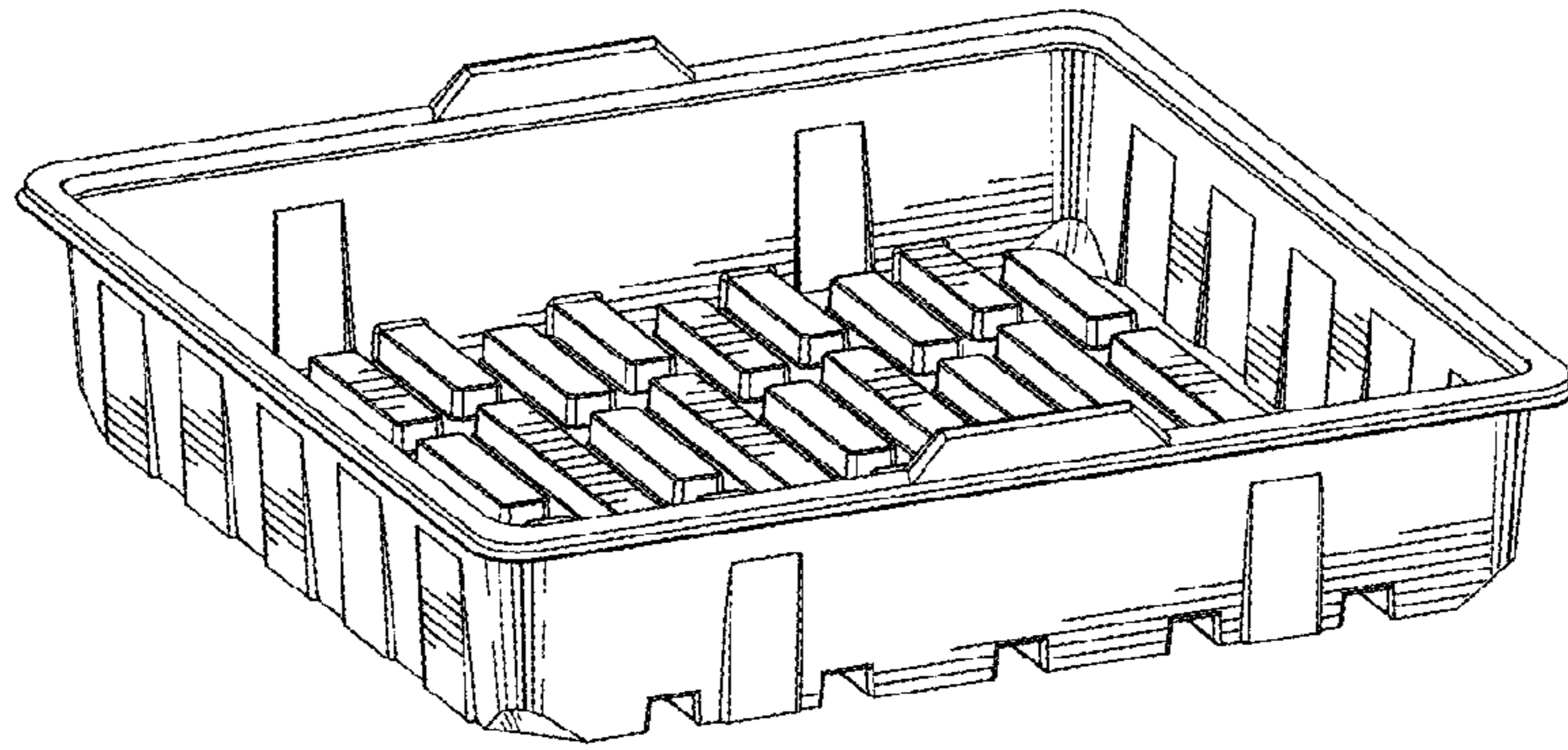


FIG. 3

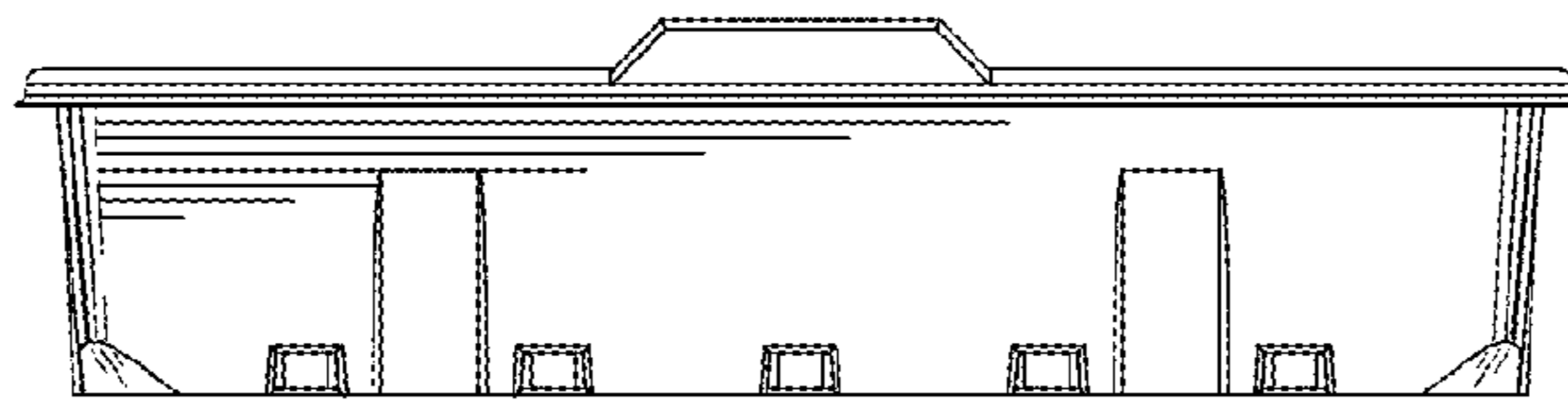


FIG. 4

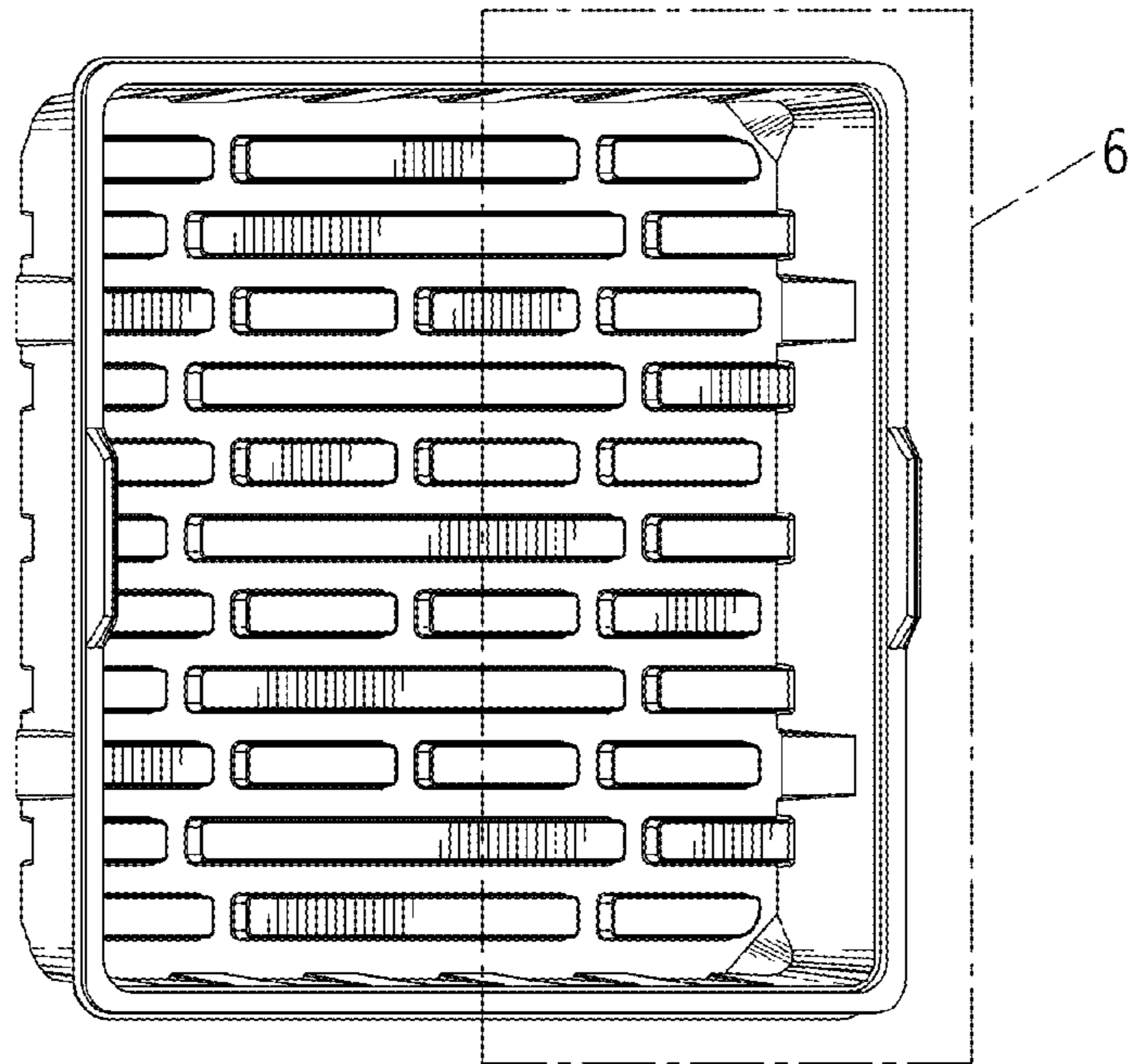


FIG. 5

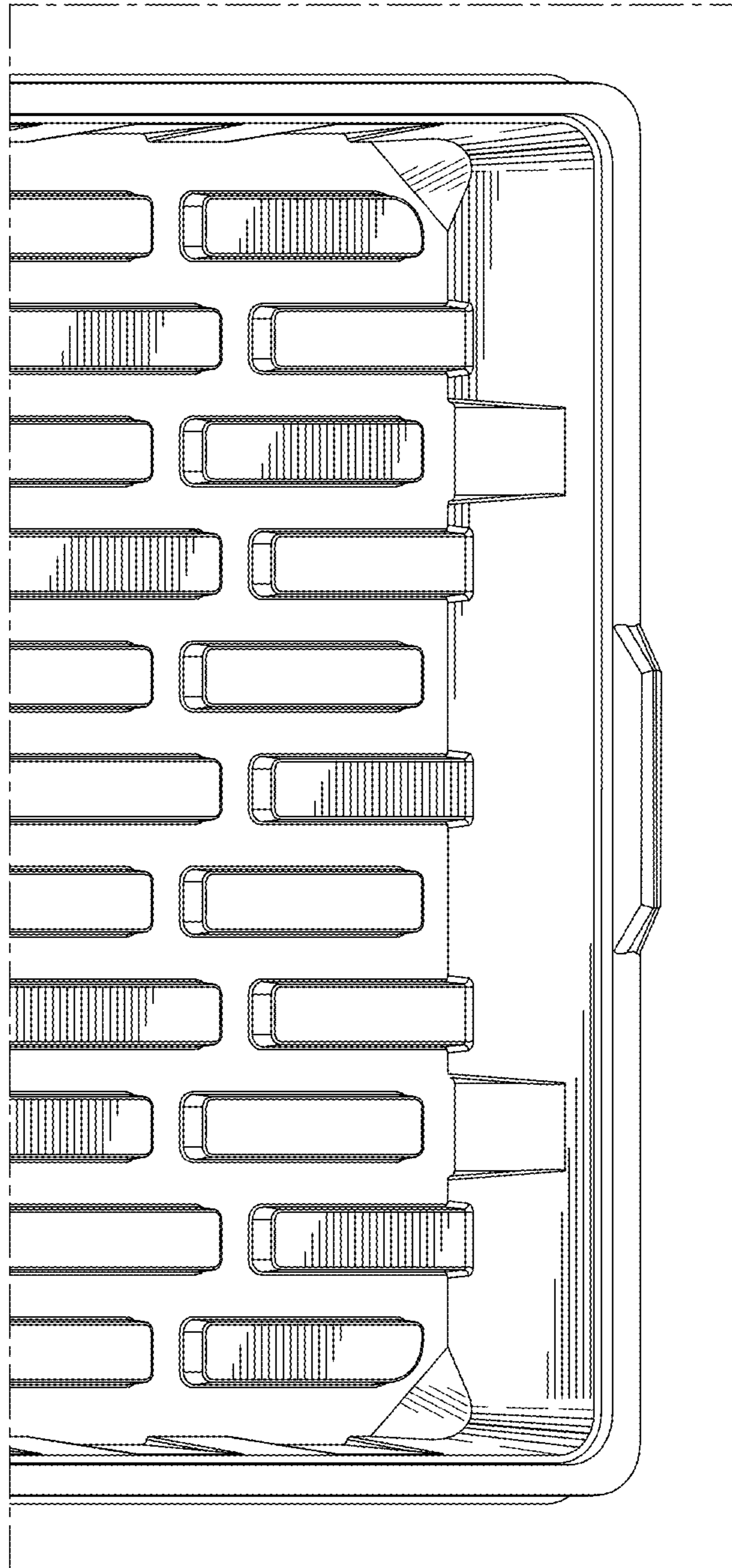
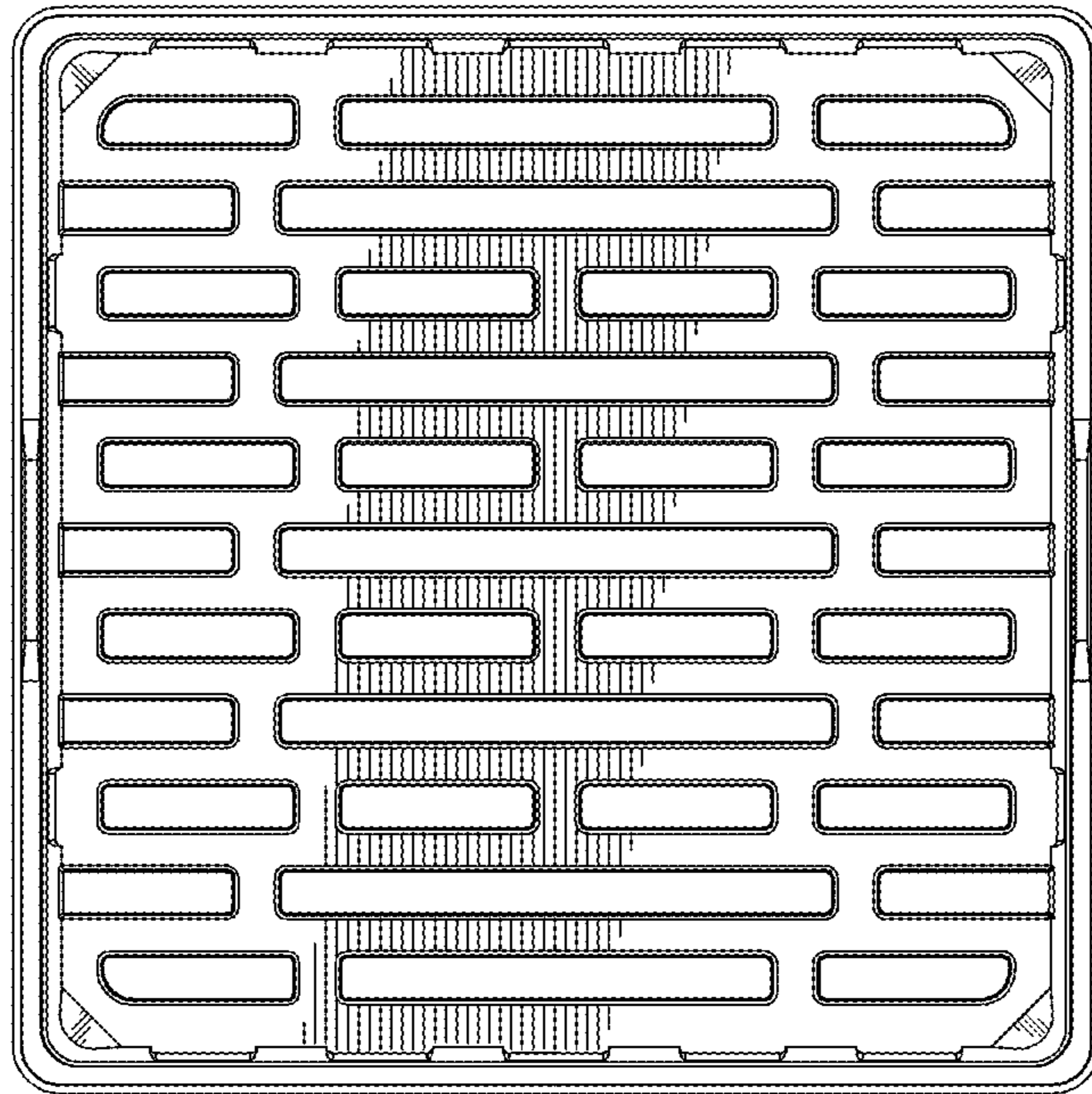


FIG. 6



*FIG. 7*

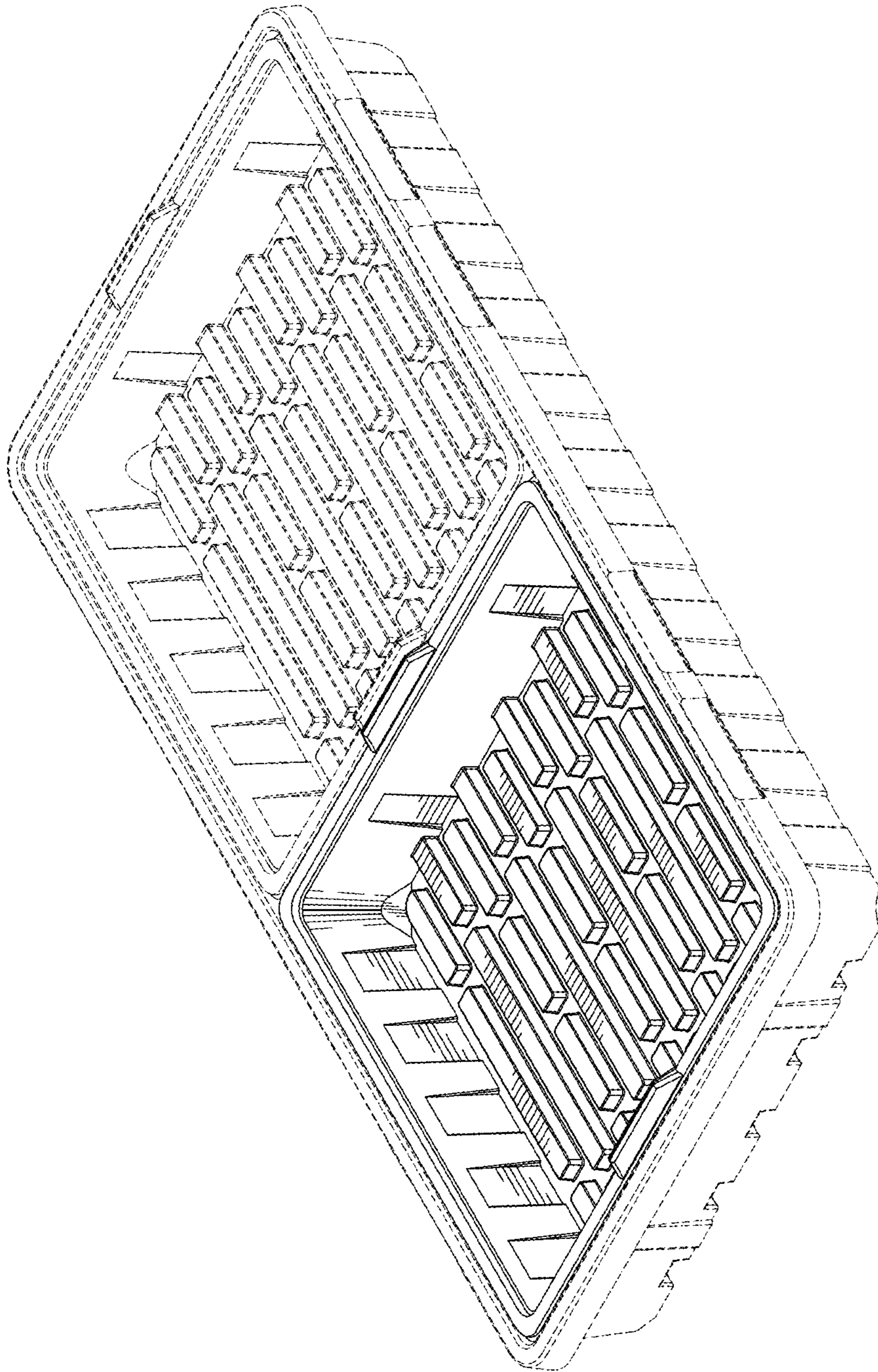


FIG. 5

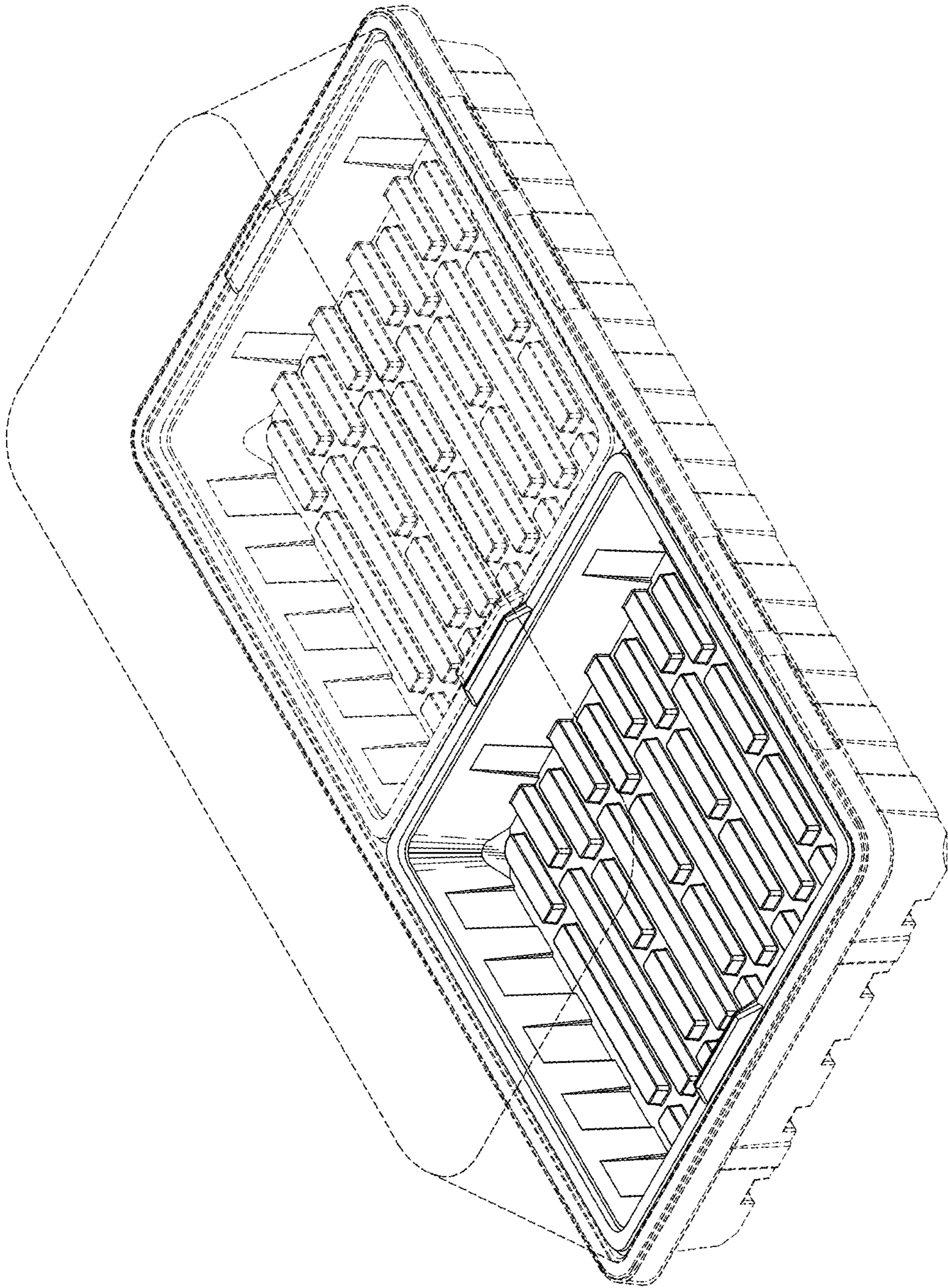


FIG. 6



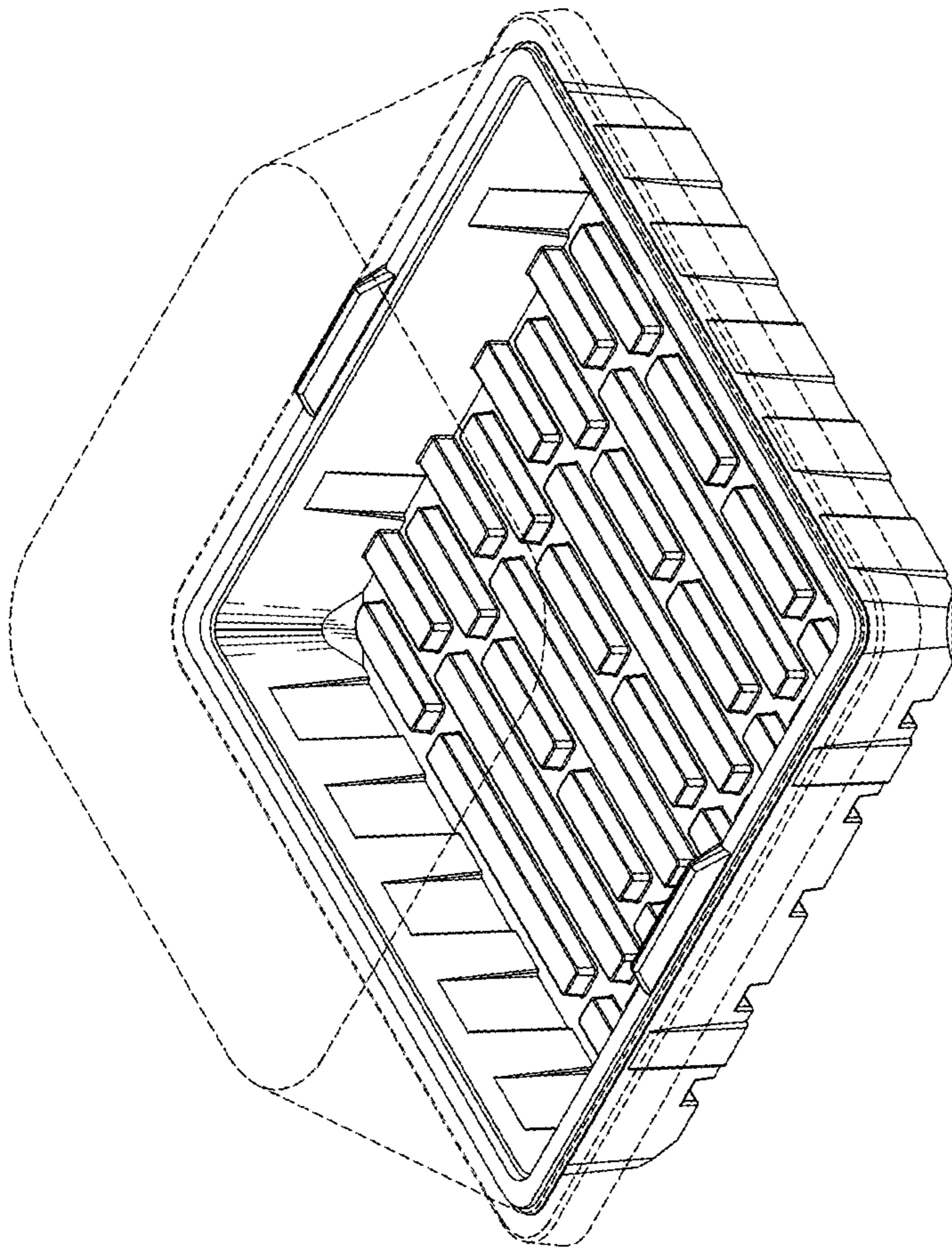


FIG. 10

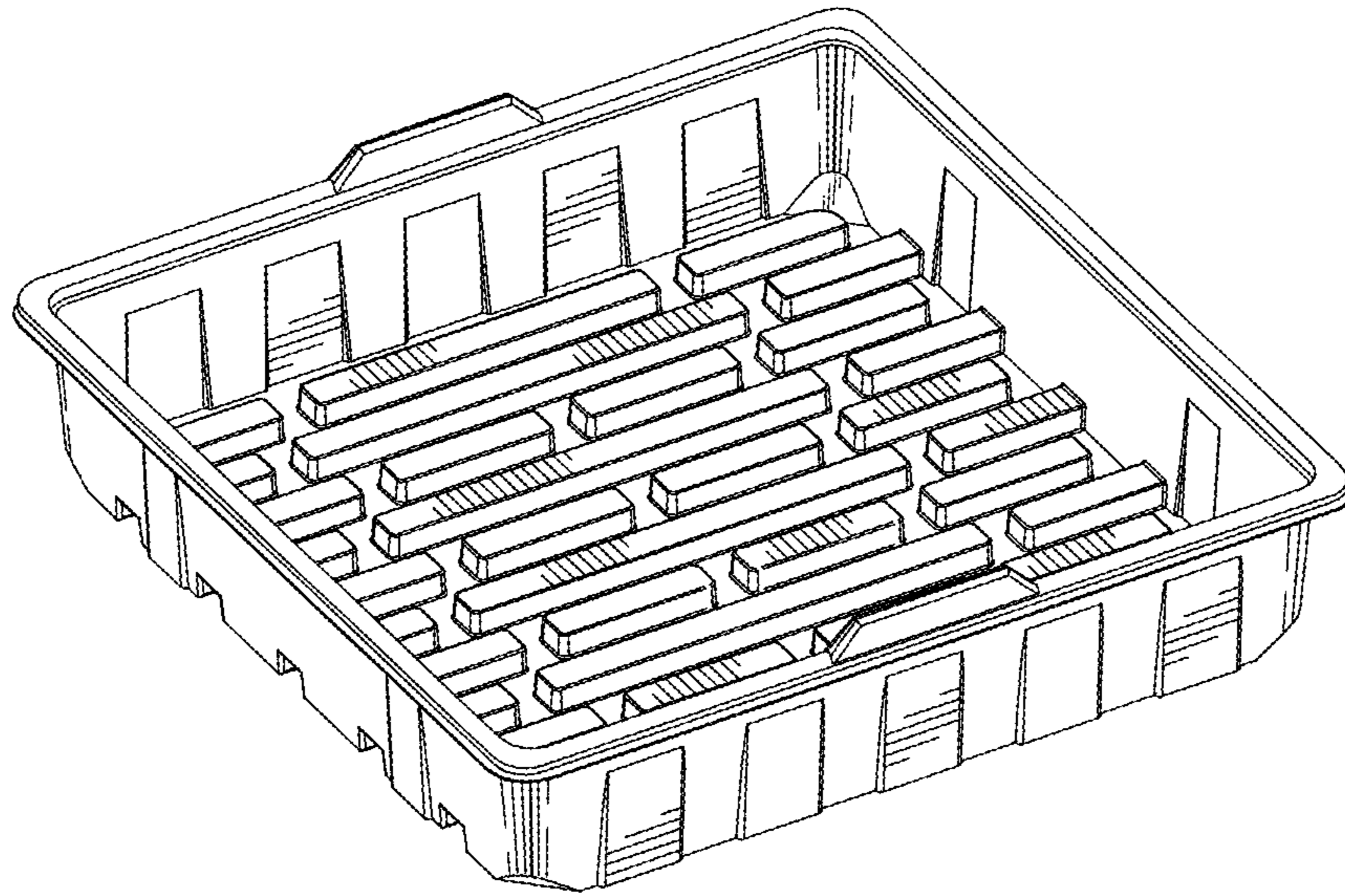


FIG. 11

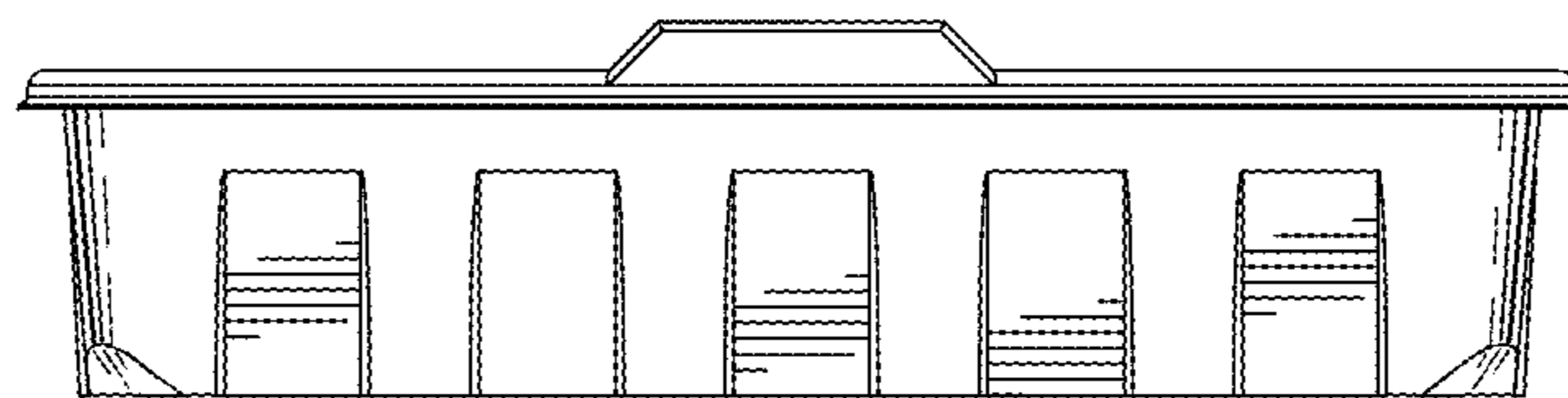


FIG. 12

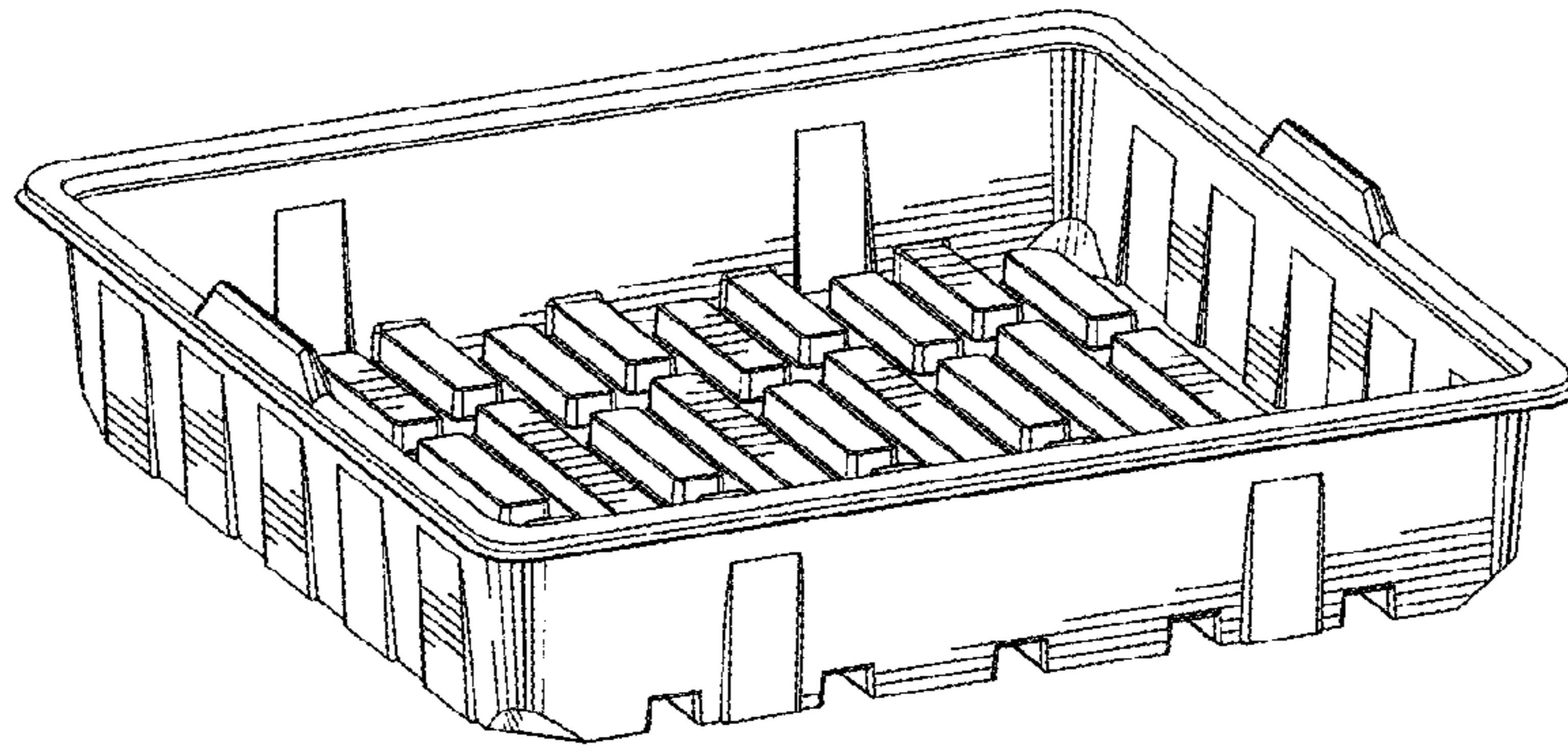


FIG. 13

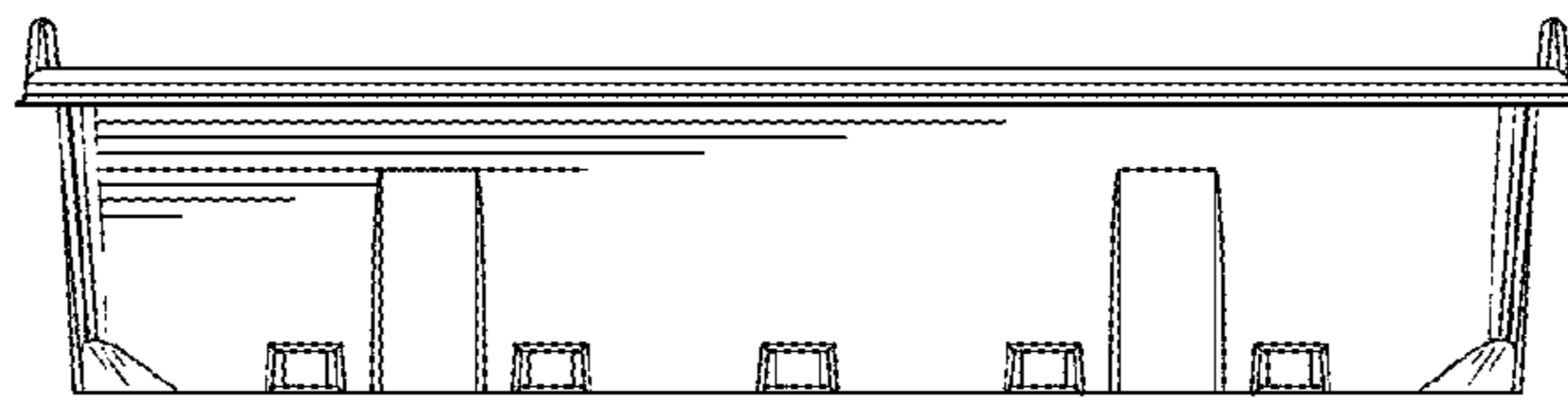


FIG. 14

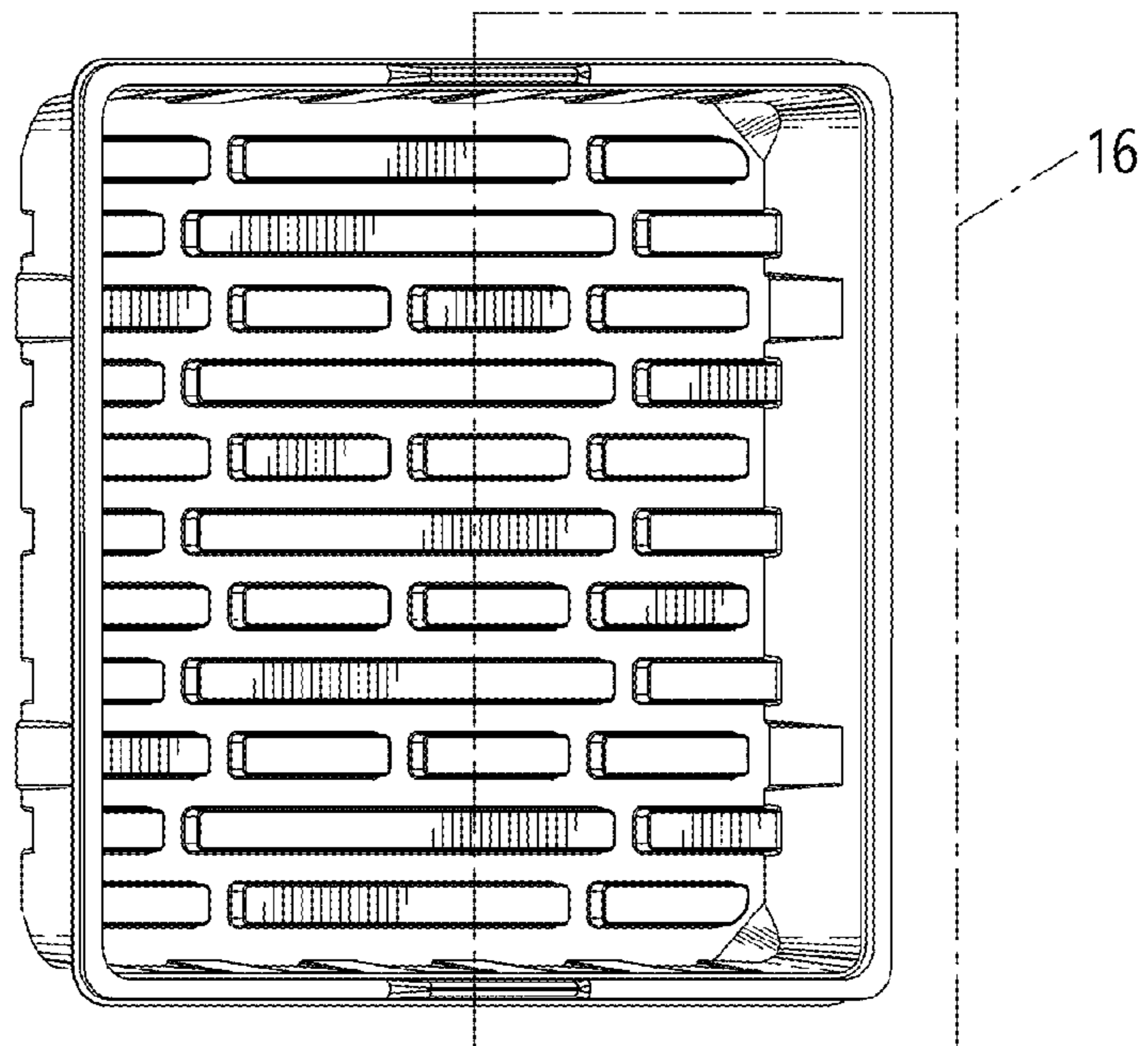


FIG. 15

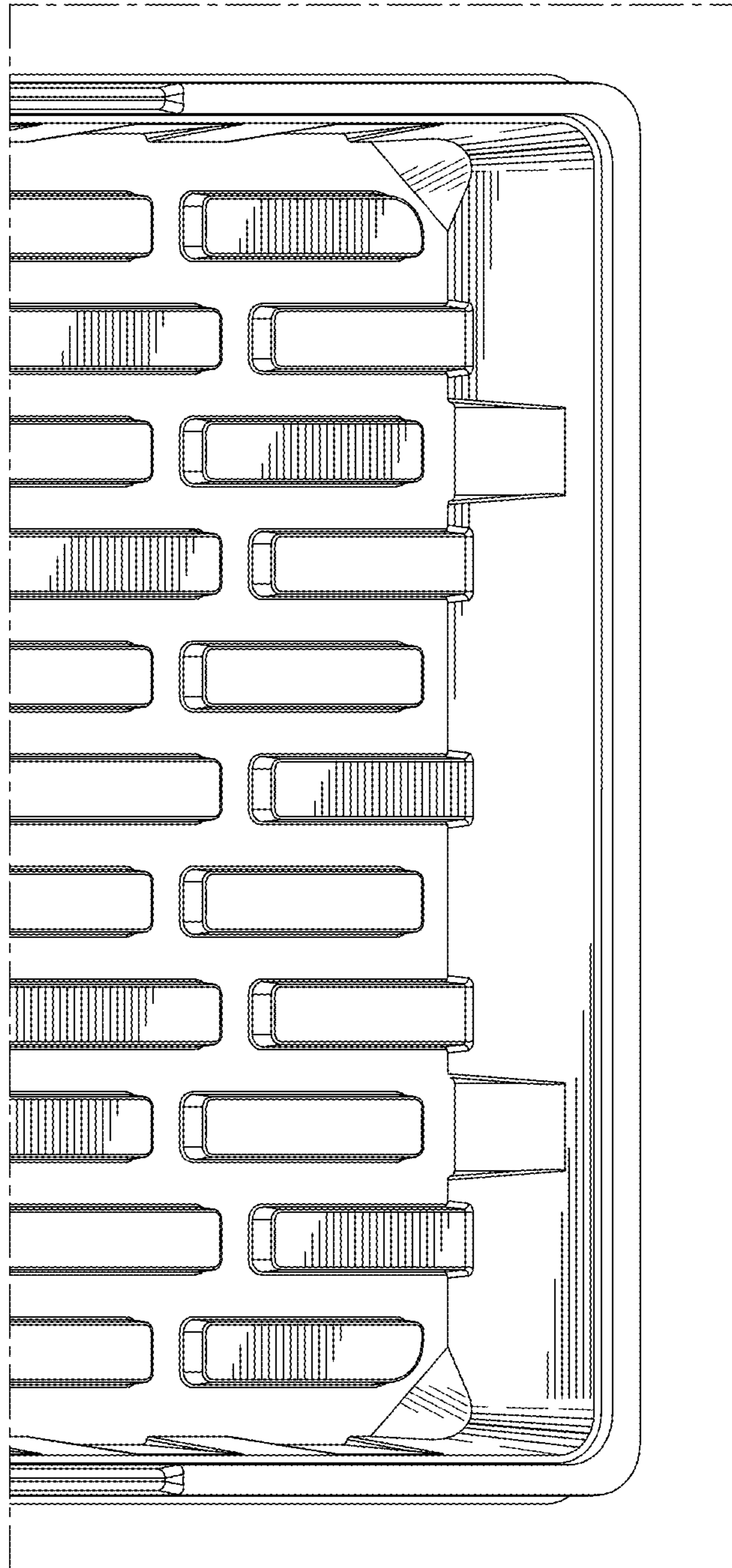


FIG. 16

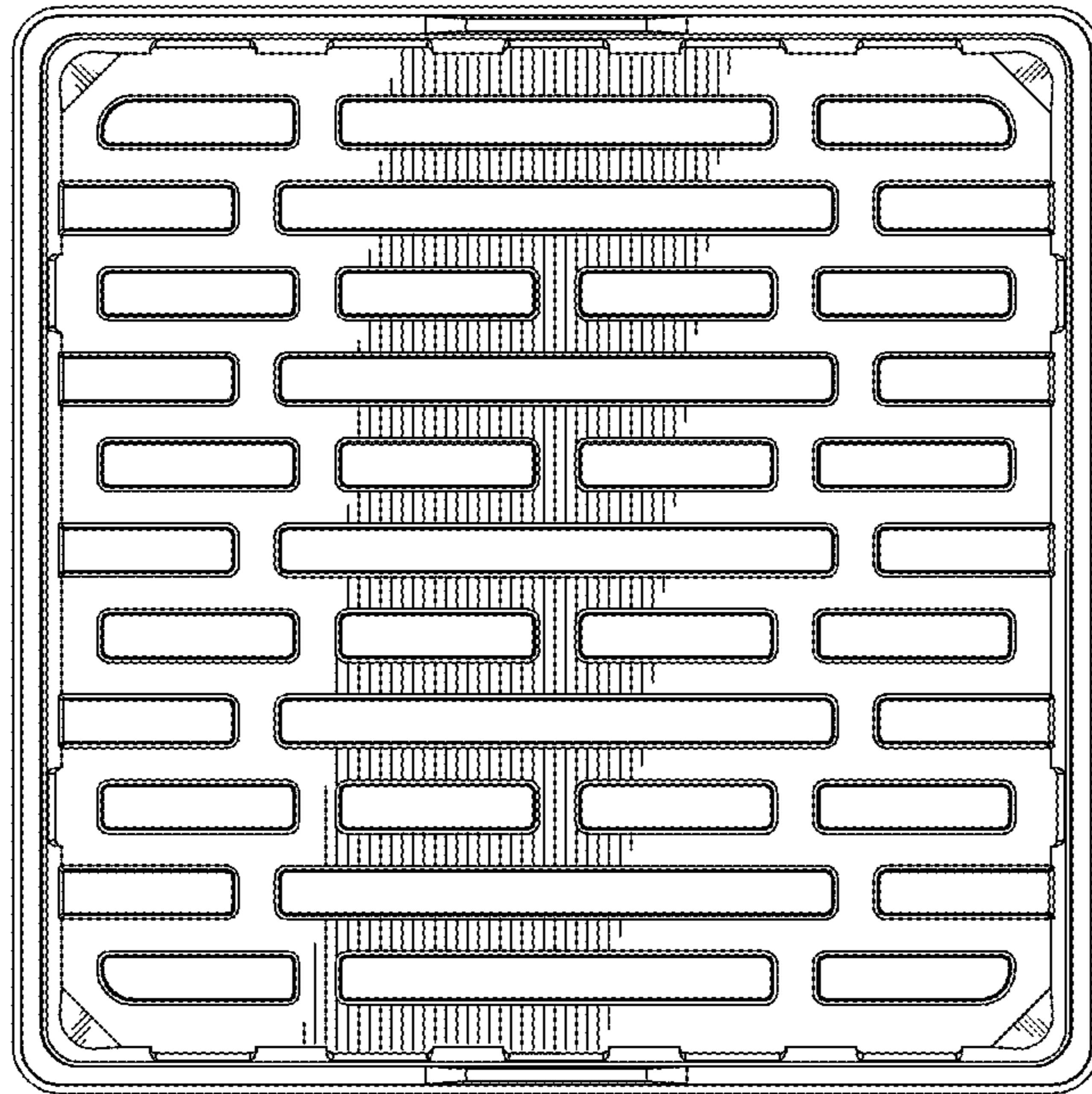


FIG. 17

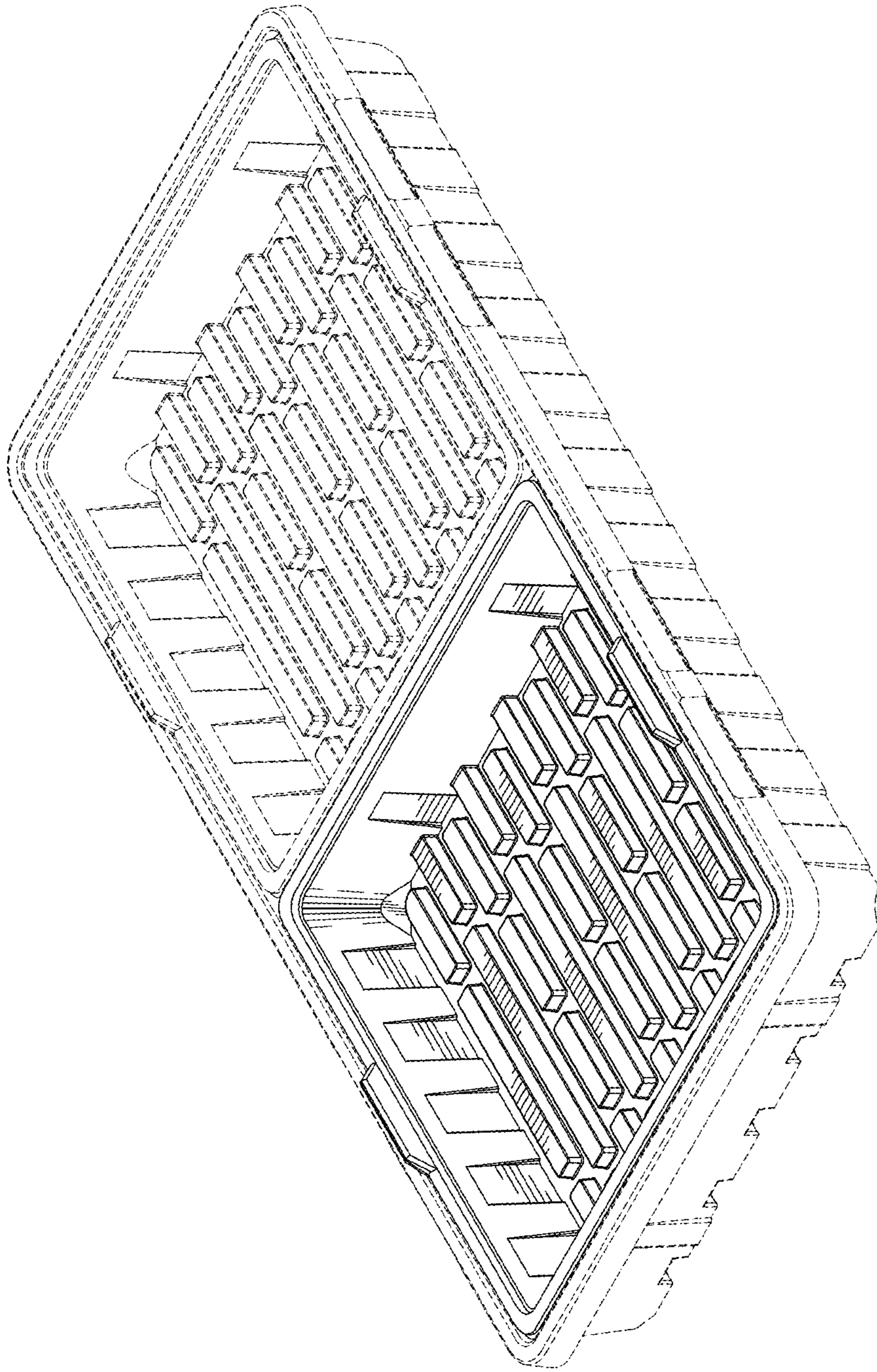


FIG. 12

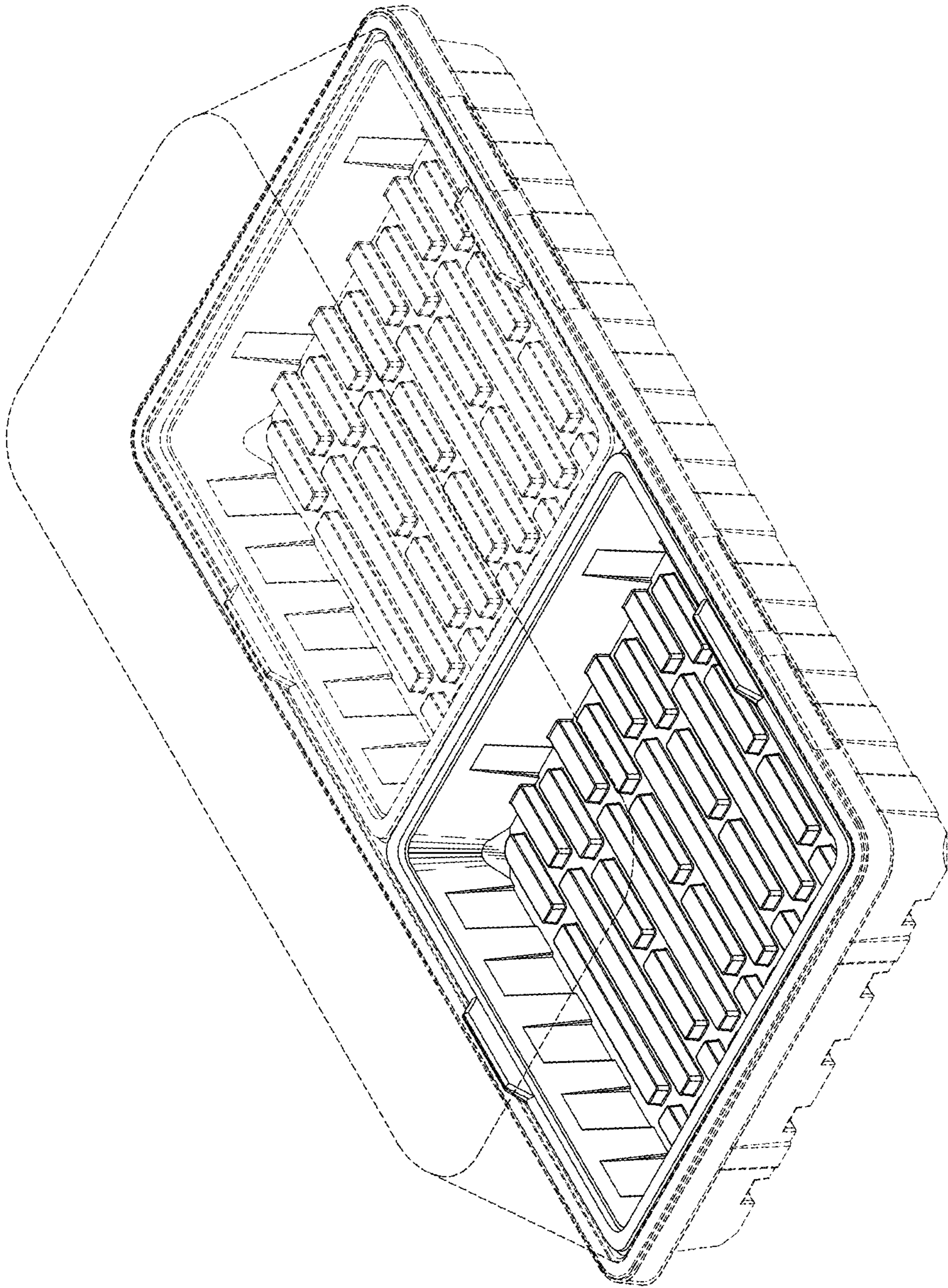


FIG. 13

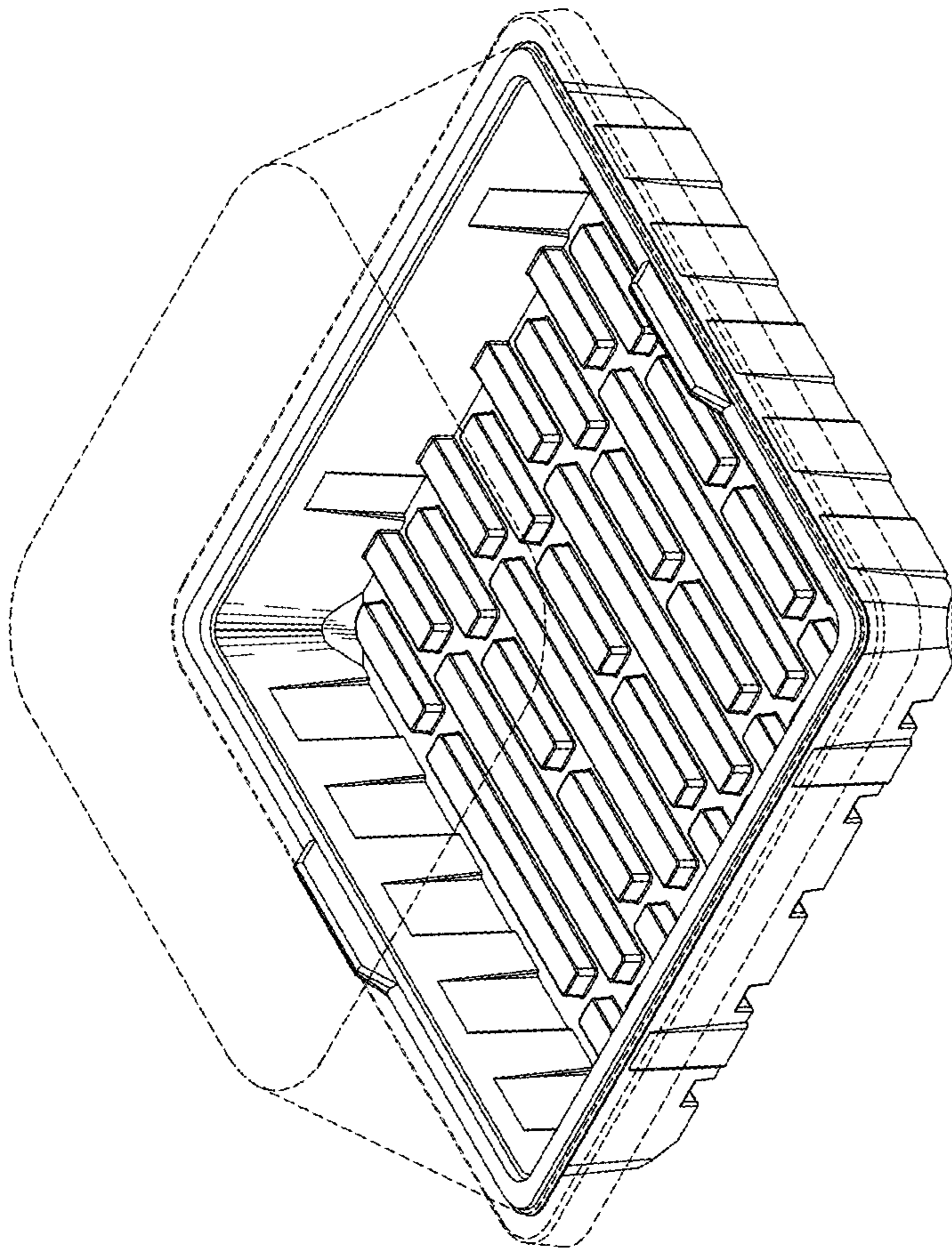


FIG. 14



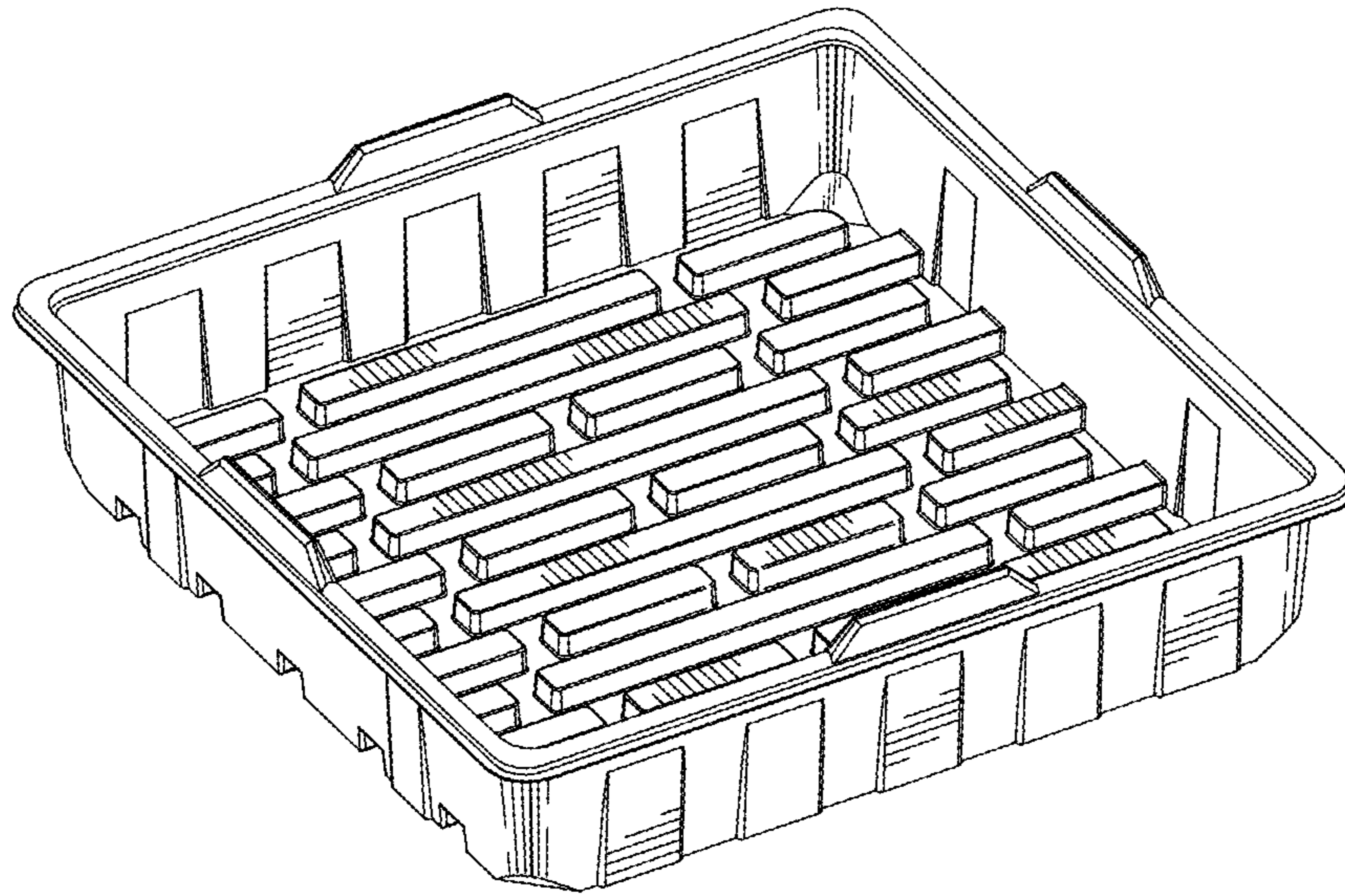


FIG. 21

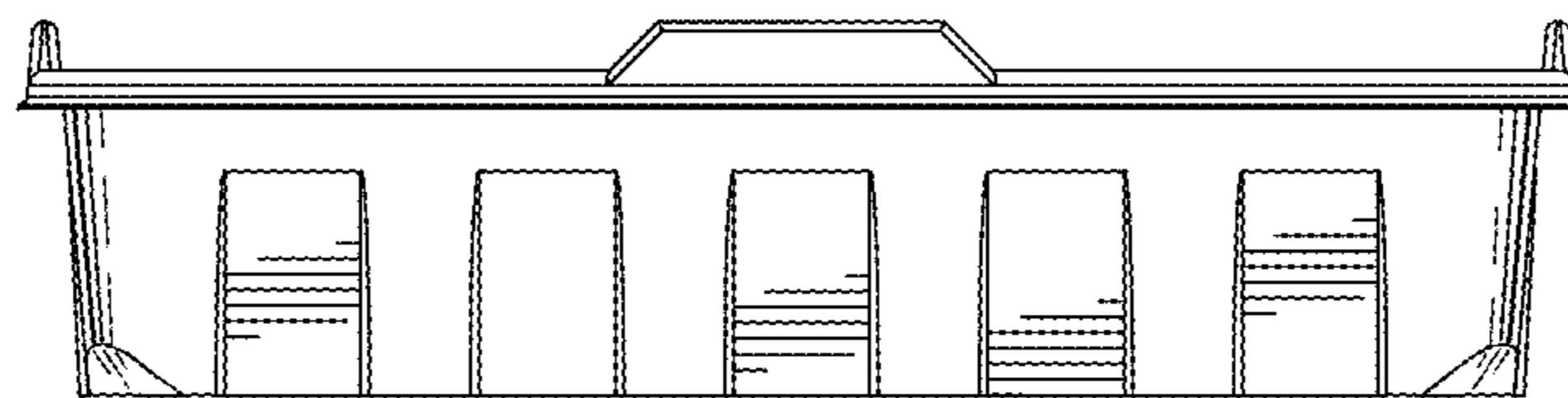


FIG. 22

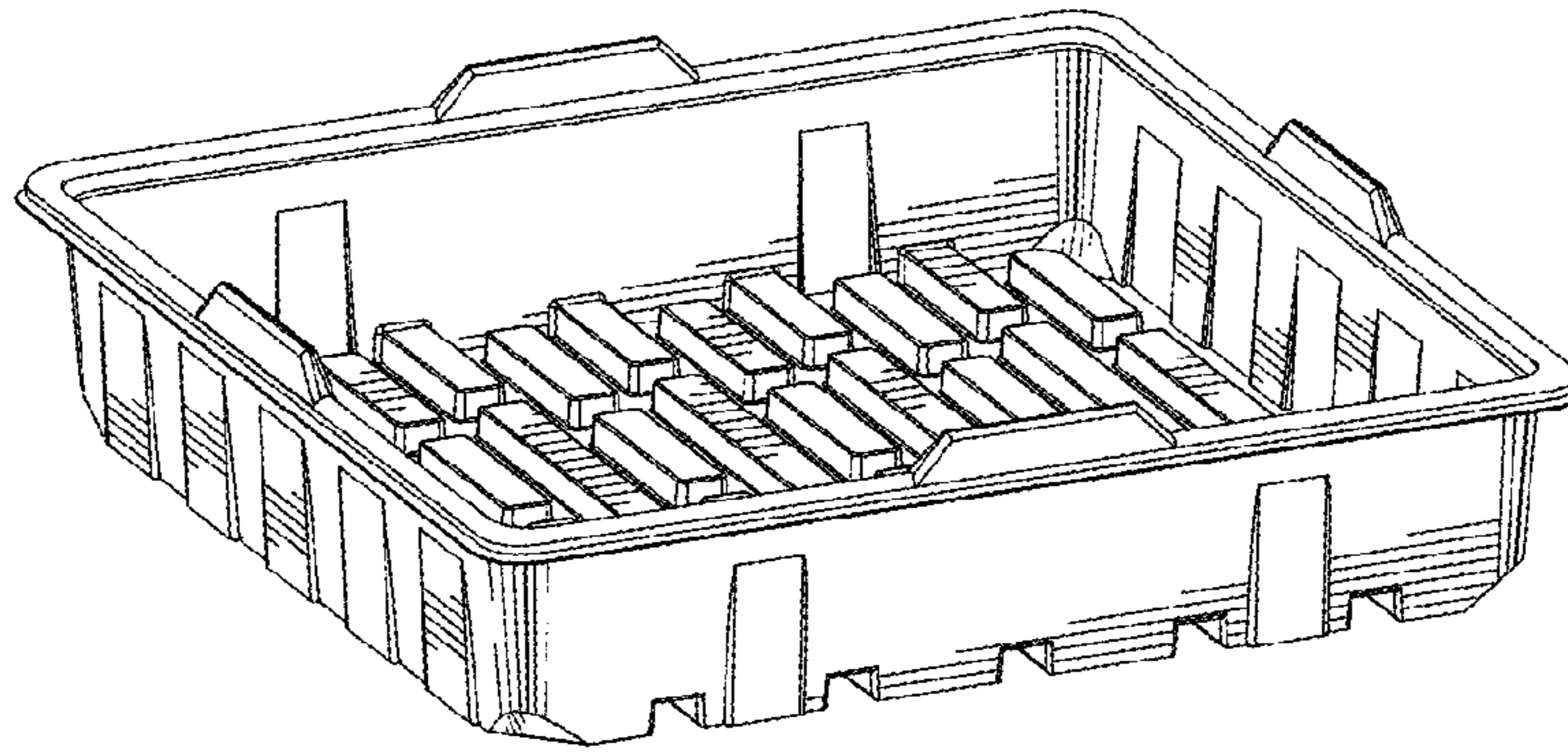


FIG. 23

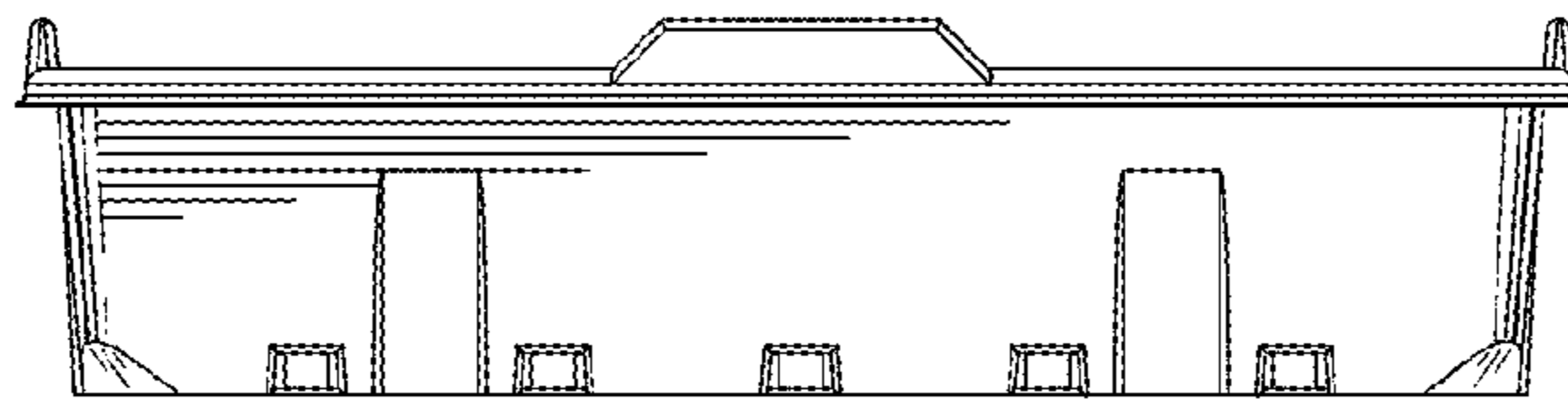


FIG. 24

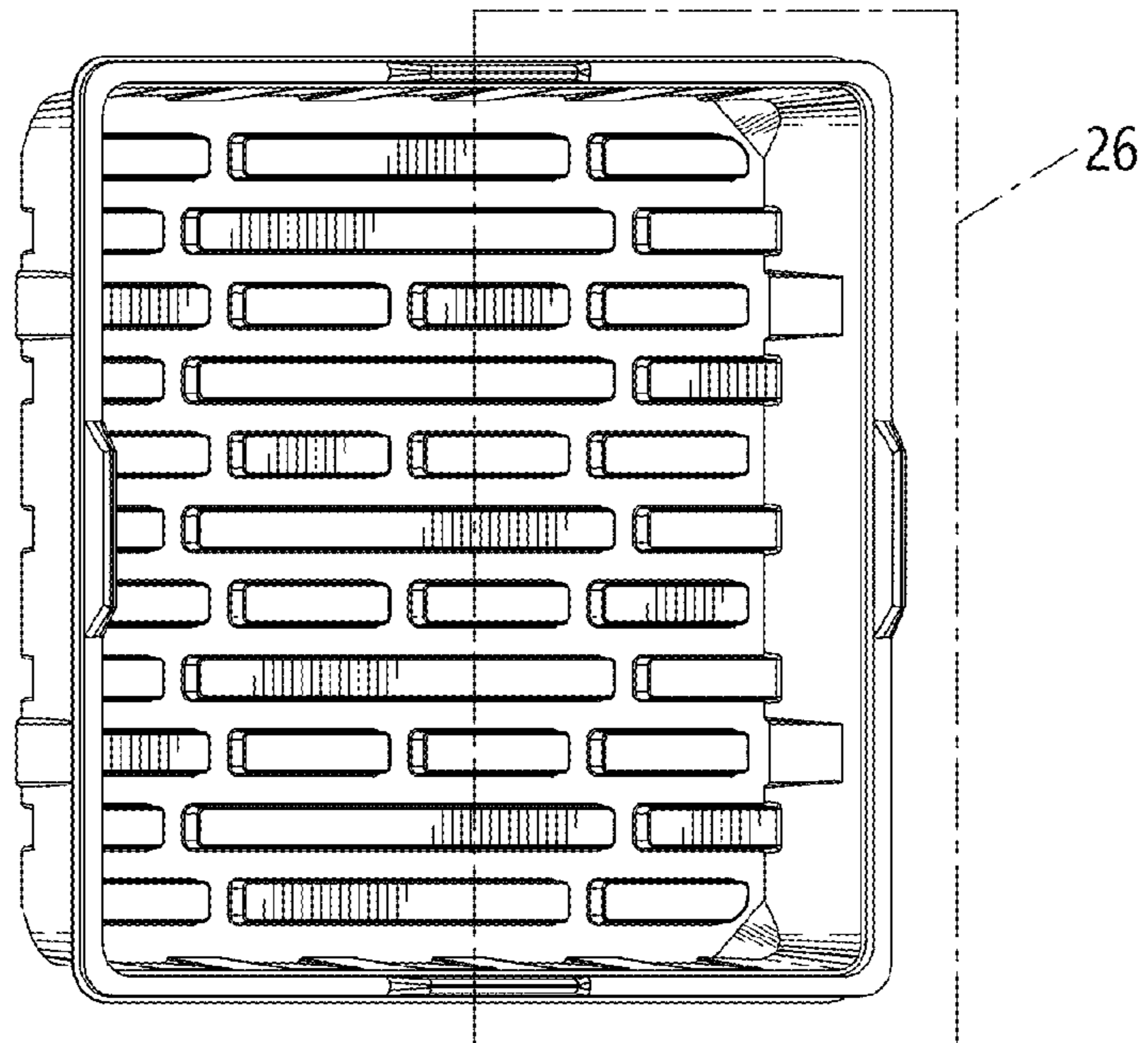


FIG. 25

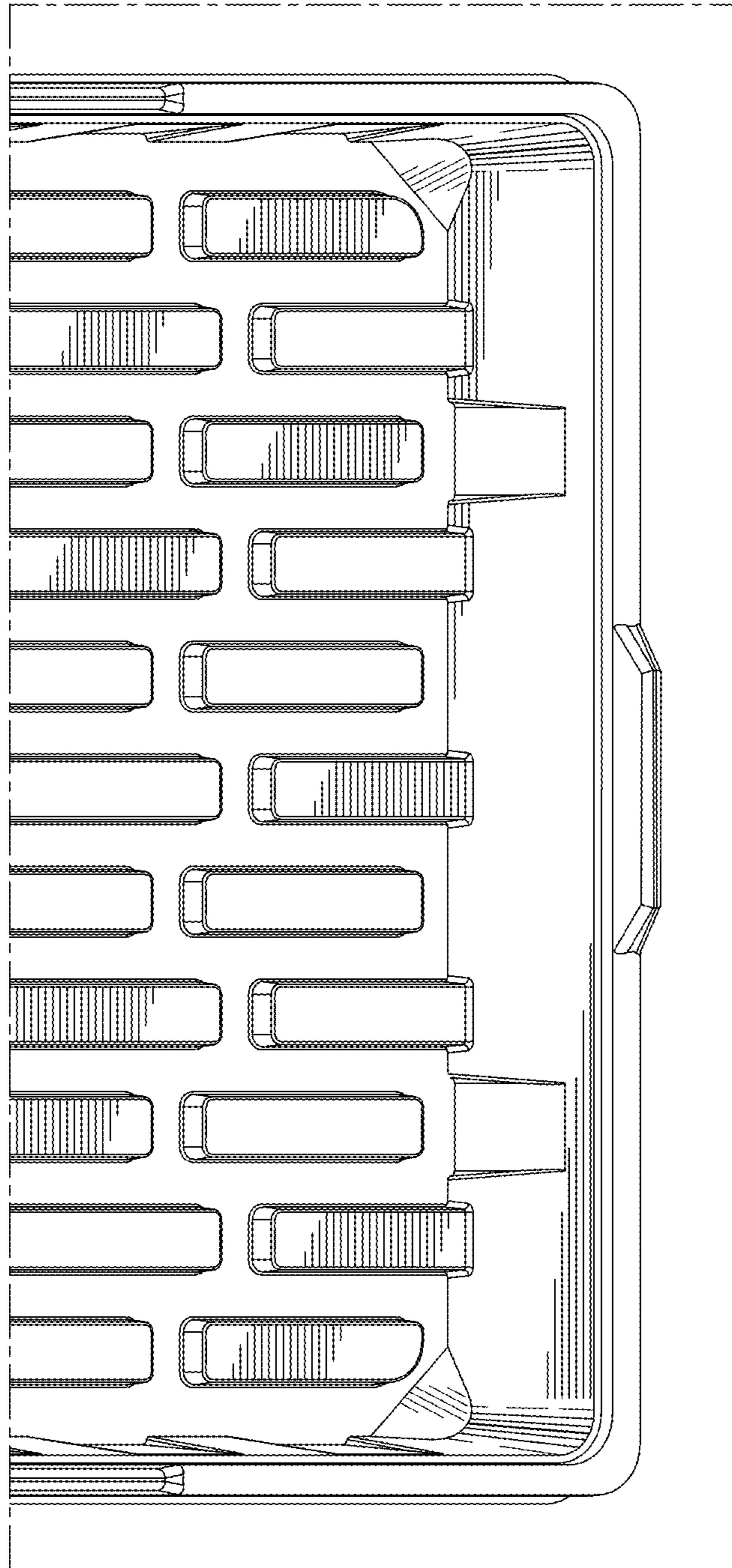


FIG. 26

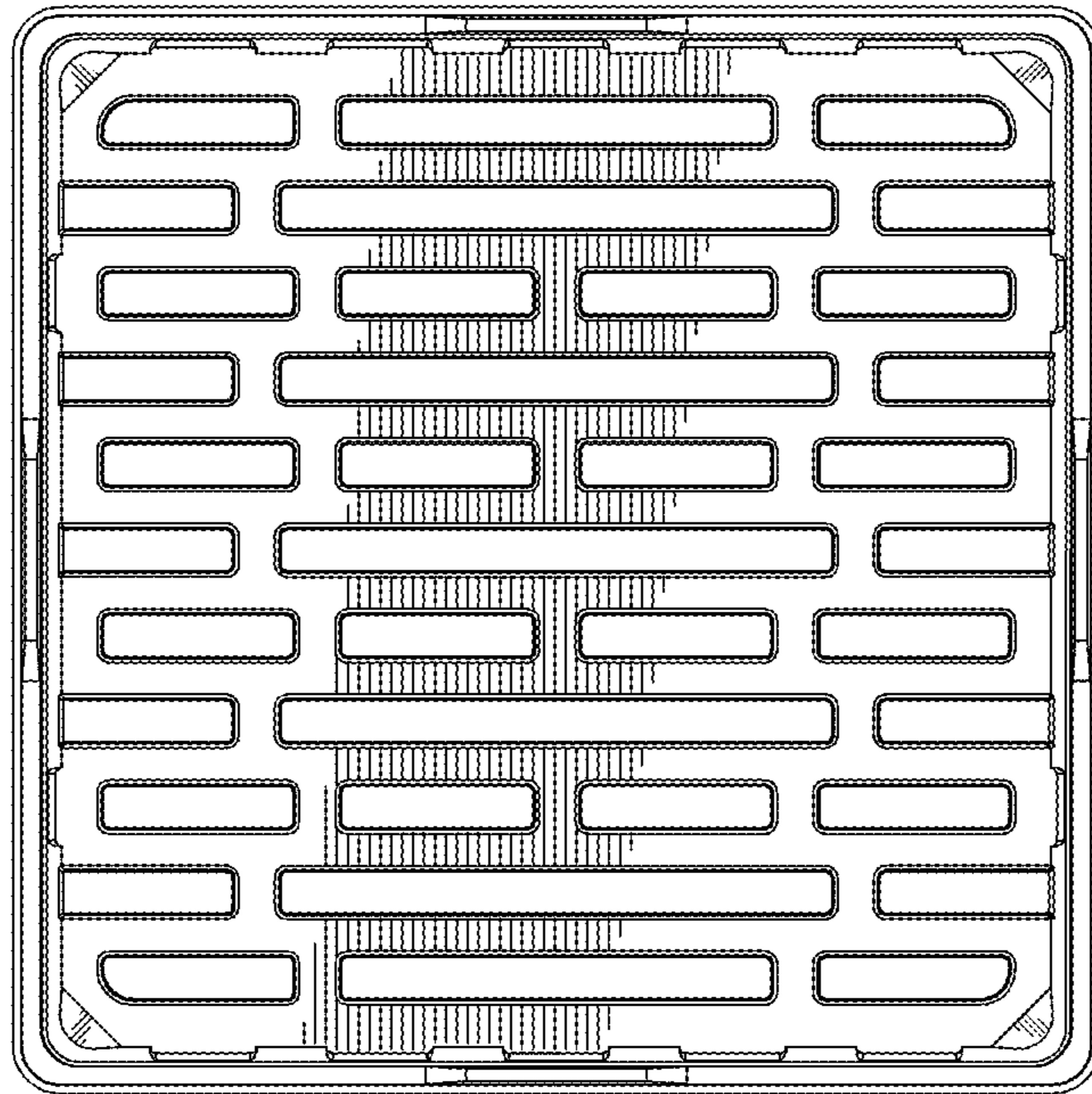


FIG. 27

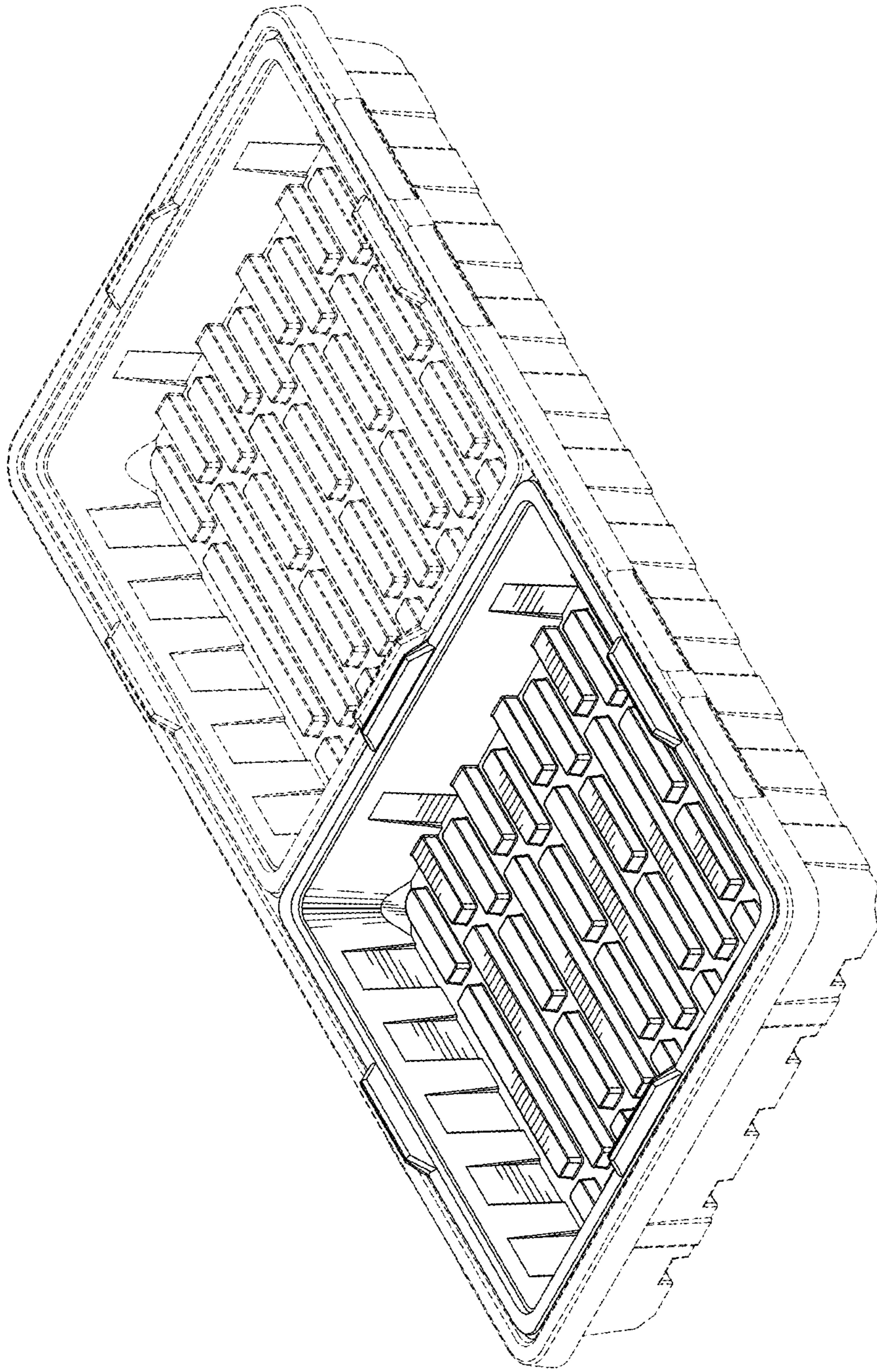


FIG. 28

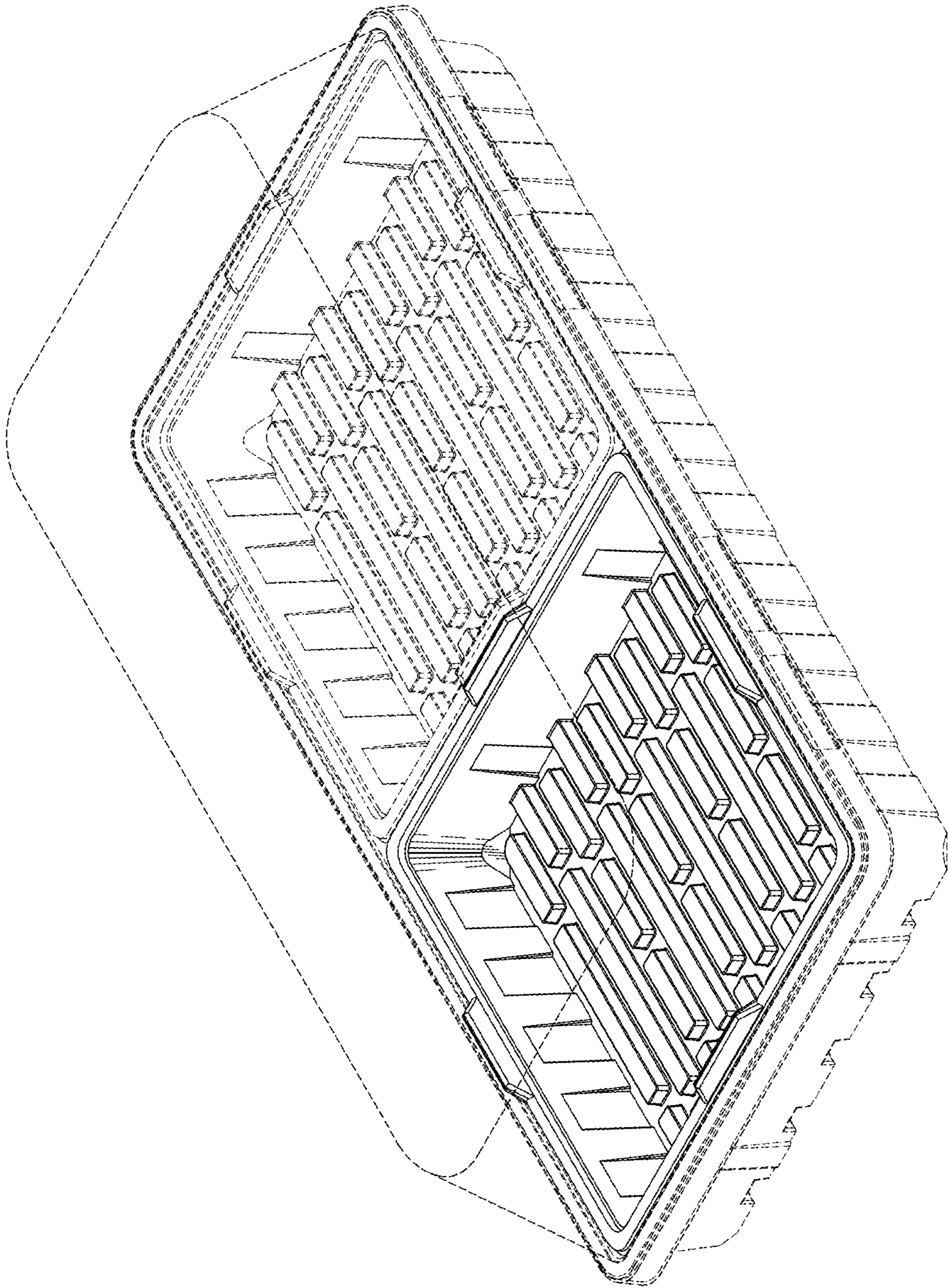


FIG. 20

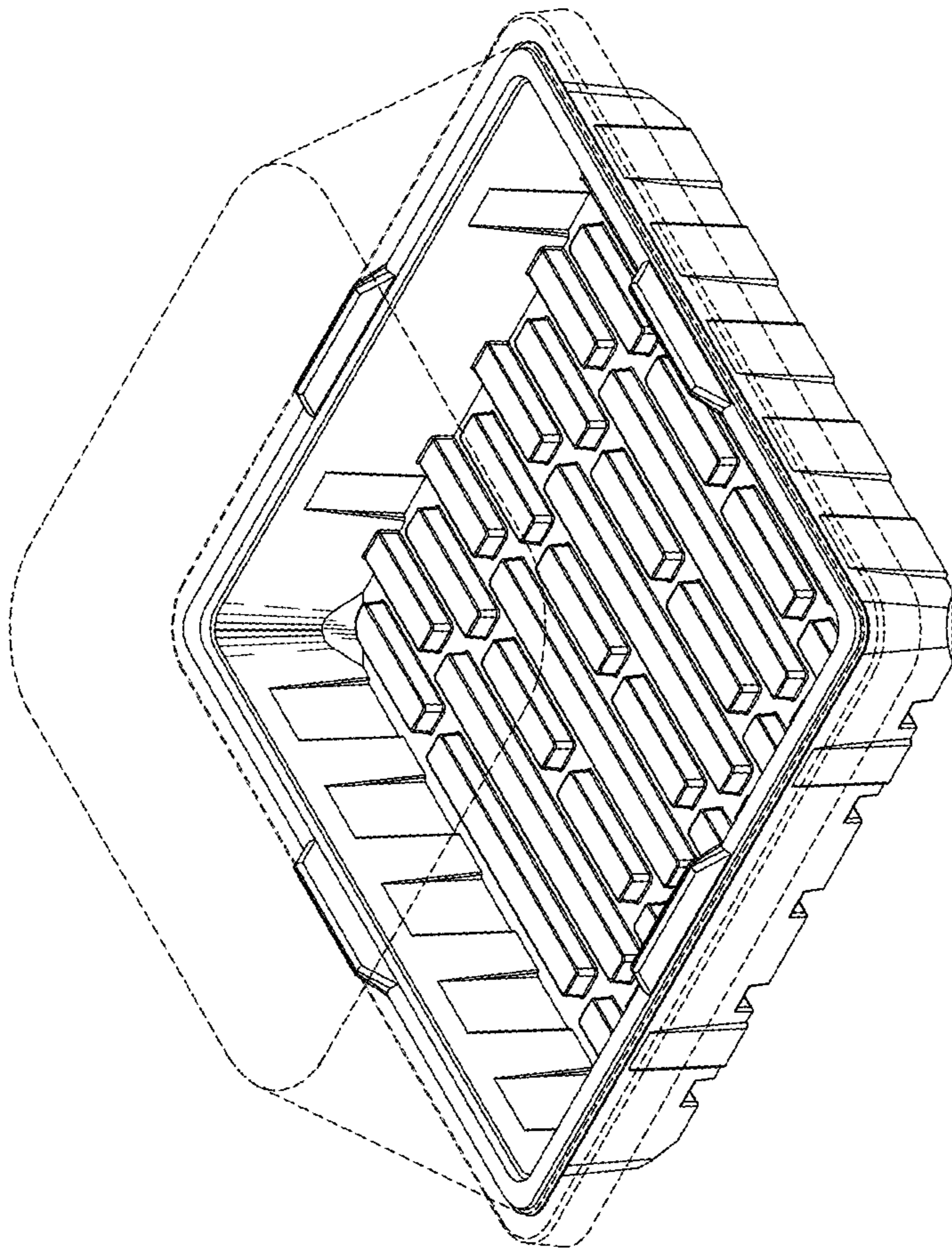


FIG. 30