



US00D942881S

(12) **United States Design Patent** (10) **Patent No.:** **US D942,881 S**
Siminoff et al. (45) **Date of Patent:** **** Feb. 8, 2022**

(54) **MOTION SENSOR**

(71) Applicant: **Amazon Technologies, Inc.**, Seattle, WA (US)

(72) Inventors: **James Siminoff**, Pacific Palisades, CA (US); **Mark D. Siminoff**, Mountain View, CA (US); **Wen-Yo Lu**, Pasadena, CA (US); **Christopher Loew**, Palo Alto, CA (US); **Jia Li**, Nutley, NJ (US); **Wei-Chung Wang**, New Taipei (TW); **Gregory Berlin**, Spring City, PA (US); **Andrew Louis Russell**, Havertown, PA (US); **Eric Scott Micko**, San Jose, CA (US)

(73) Assignee: **Amazon Technologies, Inc.**, Seattle, WA (US)

(**) Term: **15 Years**

(21) Appl. No.: **29/714,035**

(22) Filed: **Nov. 20, 2019**

(51) **LOC (13) Cl.** **10-05**

(52) **U.S. Cl.**
USPC **D10/106.6**

(58) **Field of Classification Search**
USPC D10/104.1, 106.1–106.6, 118, 70;
D8/330, 332, 343, 346
CPC G08B 13/02; G08B 13/08; G08B 13/1463;
G08B 13/2491
See application file for complete search history.

(56) **References Cited**

U.S. PATENT DOCUMENTS

D258,424 S * 3/1981 Doggart D10/118
D757,587 S * 5/2016 Li D10/106.6
D768,014 S * 10/2016 Yang D10/118.2
D768,015 S * 10/2016 Yang D10/118.2
D773,949 S * 12/2016 Bolger D10/106.2
D778,185 S * 2/2017 Ookawa D10/70

D780,611 S * 3/2017 Studer D10/97
D788,603 S * 6/2017 Liu D10/49
D788,607 S * 6/2017 Ji D10/70
D793,266 S * 8/2017 Ye D10/118.2
D825,358 S * 8/2018 Lee D10/70
D825,359 S * 8/2018 Lee D10/70
D826,757 S * 8/2018 Thornton D10/106.1
D830,861 S * 10/2018 McNealy D10/56
D830,869 S * 10/2018 Siminoff D10/106.1
D852,656 S * 7/2019 Kazes D10/70

(Continued)

FOREIGN PATENT DOCUMENTS

EM 007878483-001 * 5/2020

OTHER PUBLICATIONS

Japanese Office Action dated May 11, 2021 for Japanese Patent Application No. 2020-016767, a counterpart foreign application of U.S. Appl. No. 29/723,865, 2 pages.

Primary Examiner — Katherine Glennon

(74) *Attorney, Agent, or Firm* — Lee & Hayes, P.C.

(57) **CLAIM**

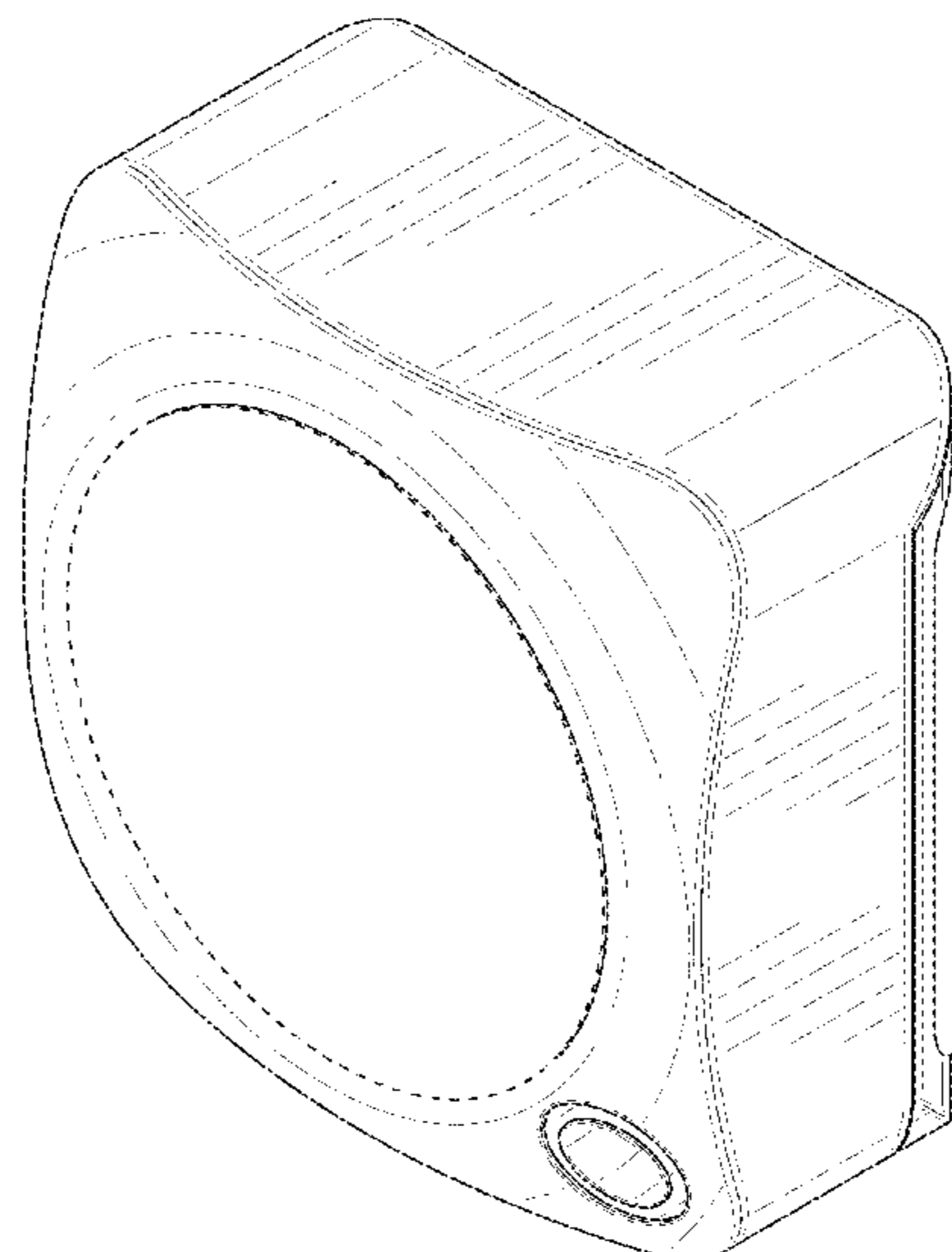
The ornamental design for a motion sensor, as shown and described.

DESCRIPTION

FIG. 1 is a top, front, right-side perspective view of a motion sensor;
FIG. 2 is a bottom, back, left-side perspective view thereof;
FIG. 3 is a front view thereof;
FIG. 4 is a back view thereof;
FIG. 5 is a left-side view thereof;
FIG. 6 is a right-side view thereof;
FIG. 7 is a top view thereof; and,
FIG. 8 is a bottom view thereof.

The dashed broken lines depict portions of the motion sensor that form no part of the claimed design.

1 Claim, 8 Drawing Sheets



(56)

References Cited

U.S. PATENT DOCUMENTS

10,448,491	B1 *	10/2019	Recker	H05B 45/00
D871,240	S *	12/2019	Burns	D10/70
10,529,202	B1 *	1/2020	Baker, Jr.	G08B 13/18
D889,296	S *	7/2020	Loh	D10/106.1
D890,002	S *	7/2020	Cound	D10/70
D895,456	S *	9/2020	Andersson	D10/70
D912,030	S *	3/2021	Bould	D14/240
D928,759	S *	8/2021	Siminoff	D14/242
2008/0117299	A1 *	5/2008	Carter	H04N 7/144 348/152
2010/0141153	A1 *	6/2010	Recker	H05B 47/115 315/149

* cited by examiner

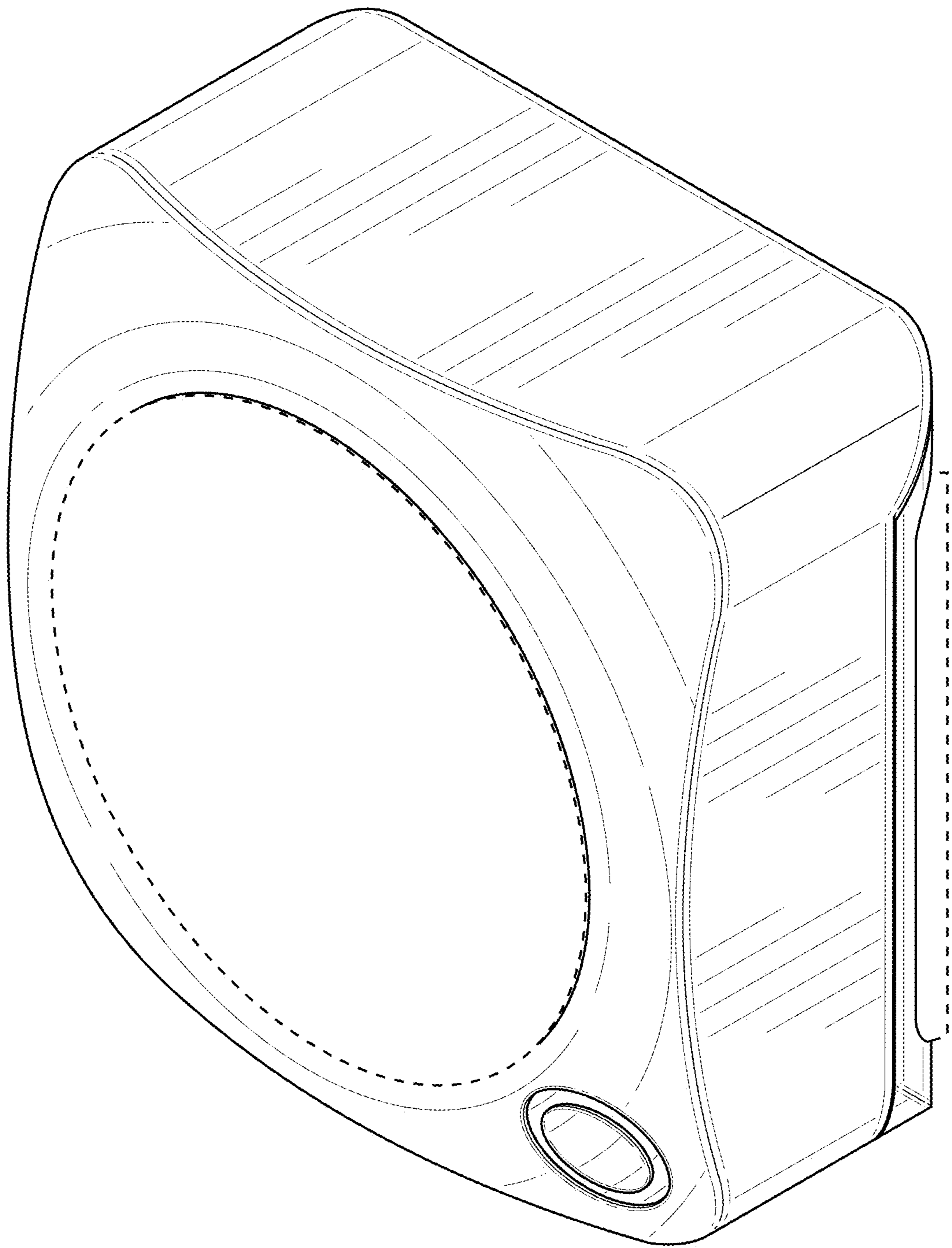


FIG. 1

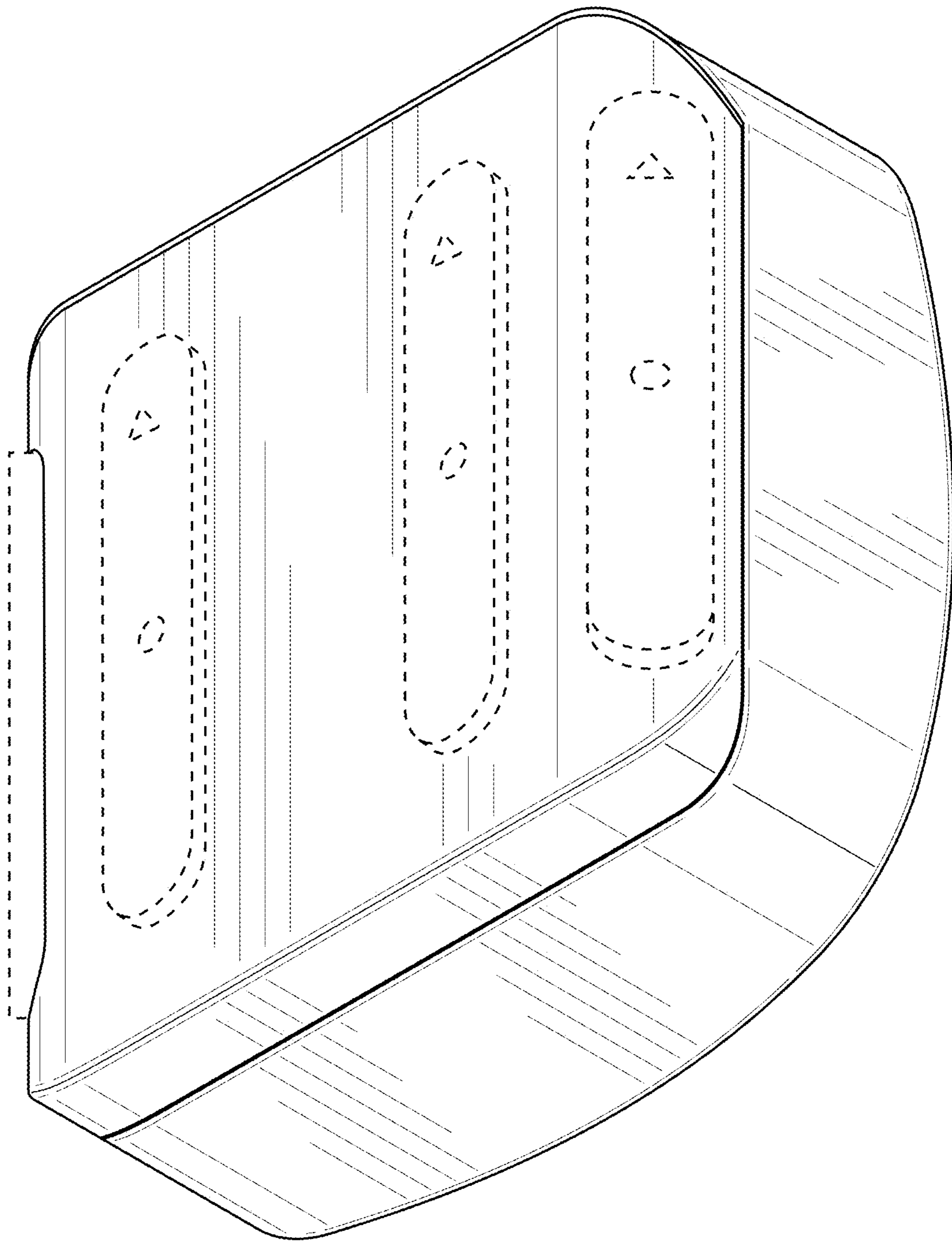


FIG. 2

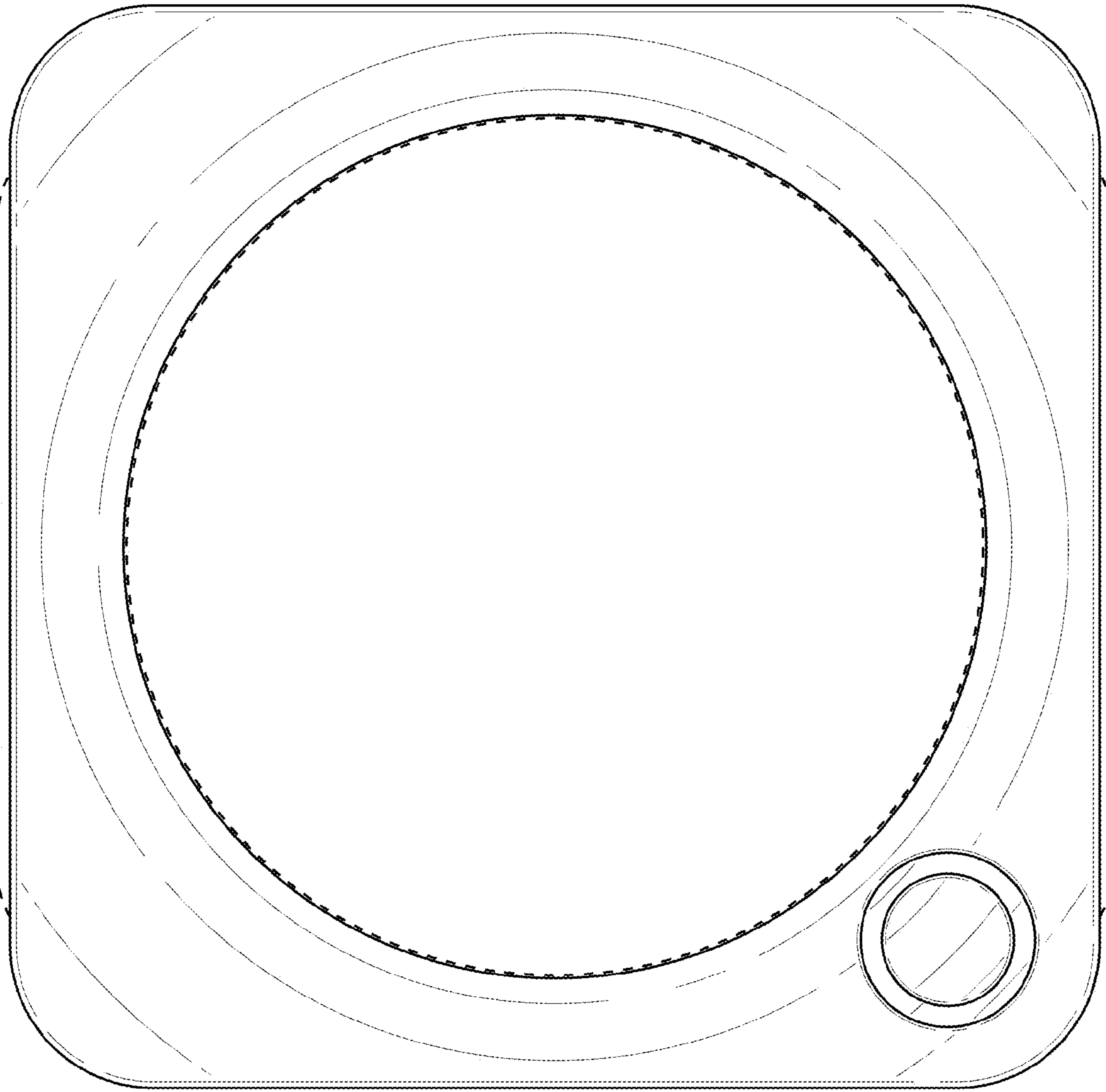


FIG. 3

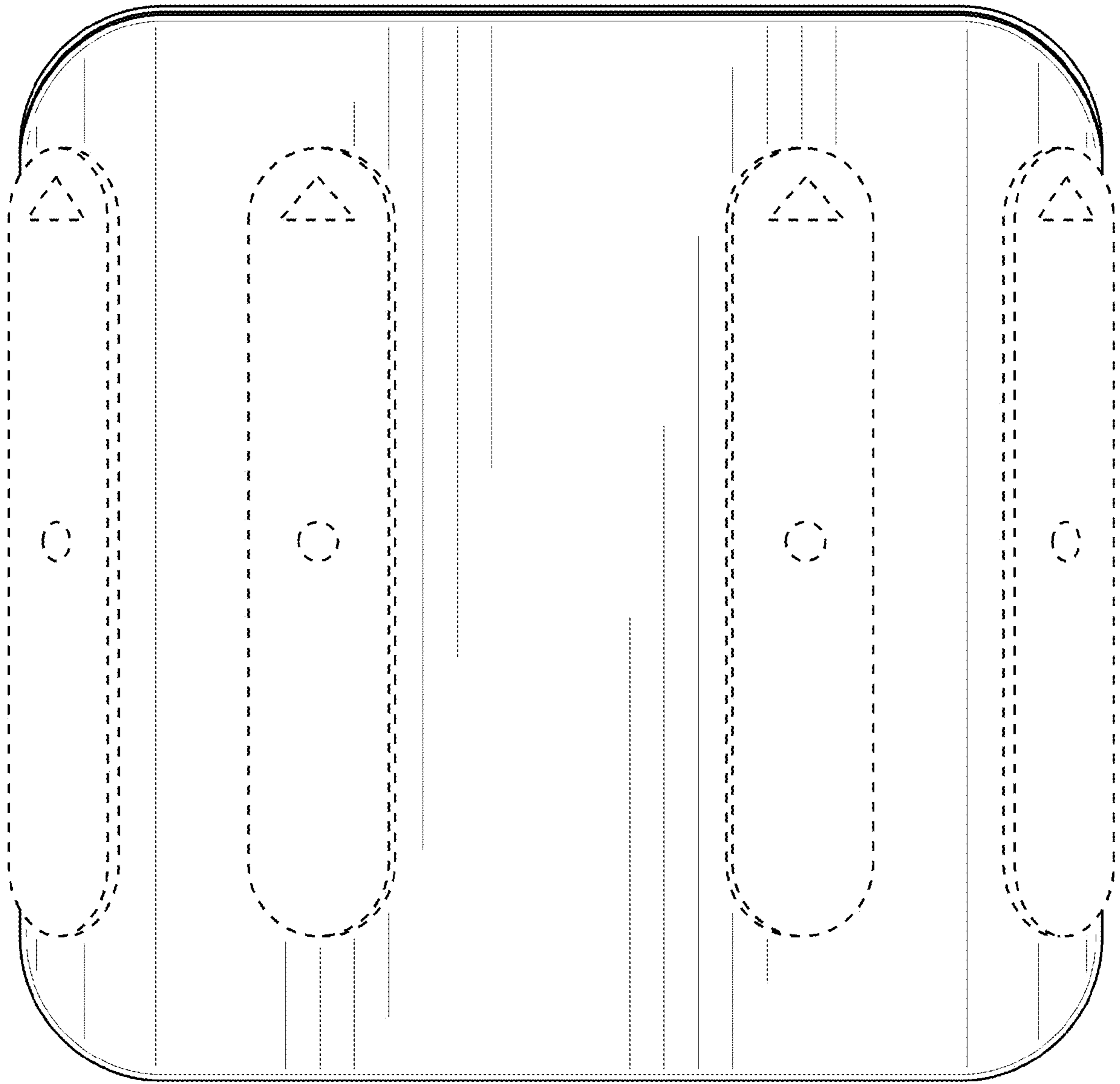


FIG. 4

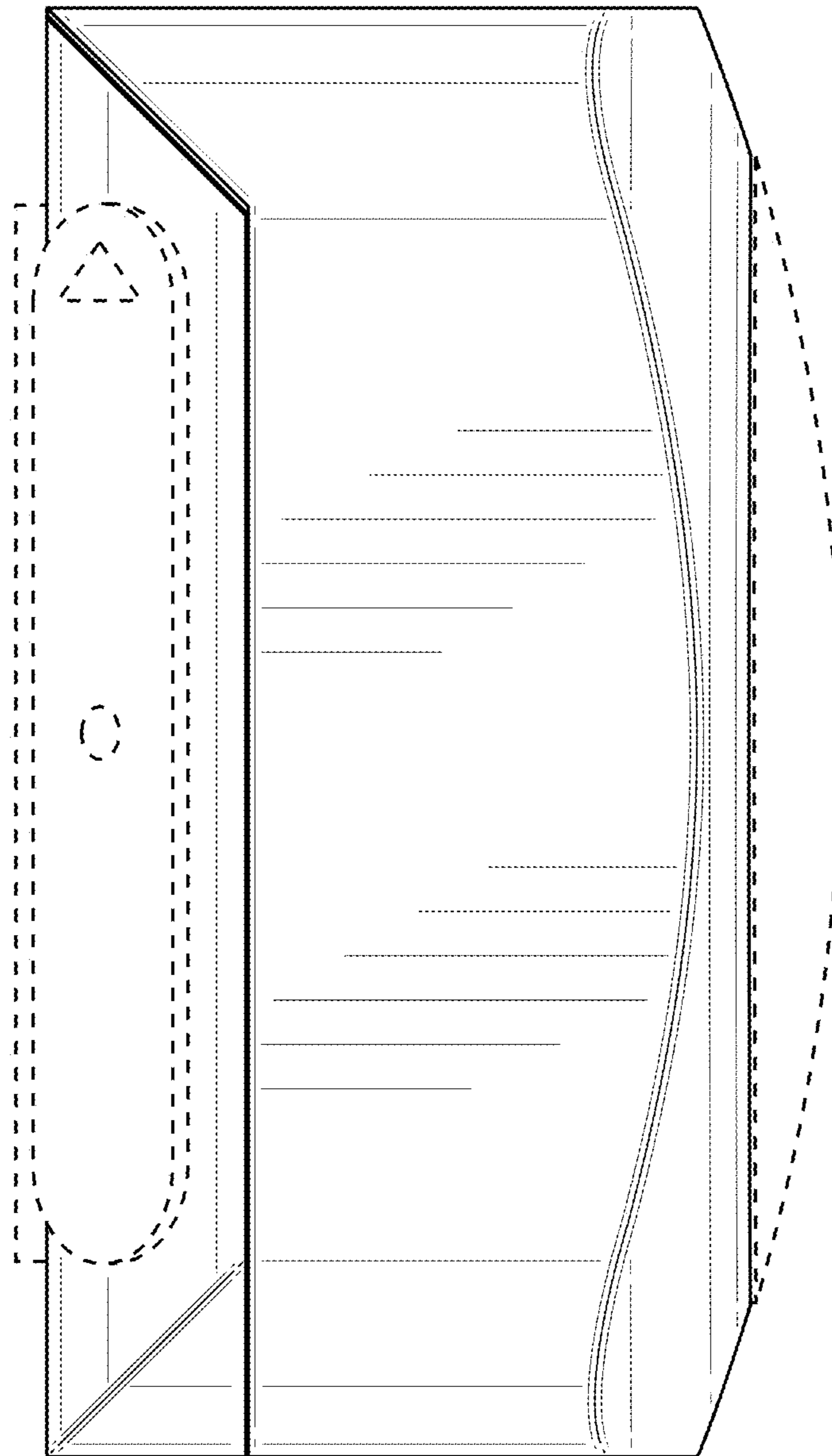


FIG. 5

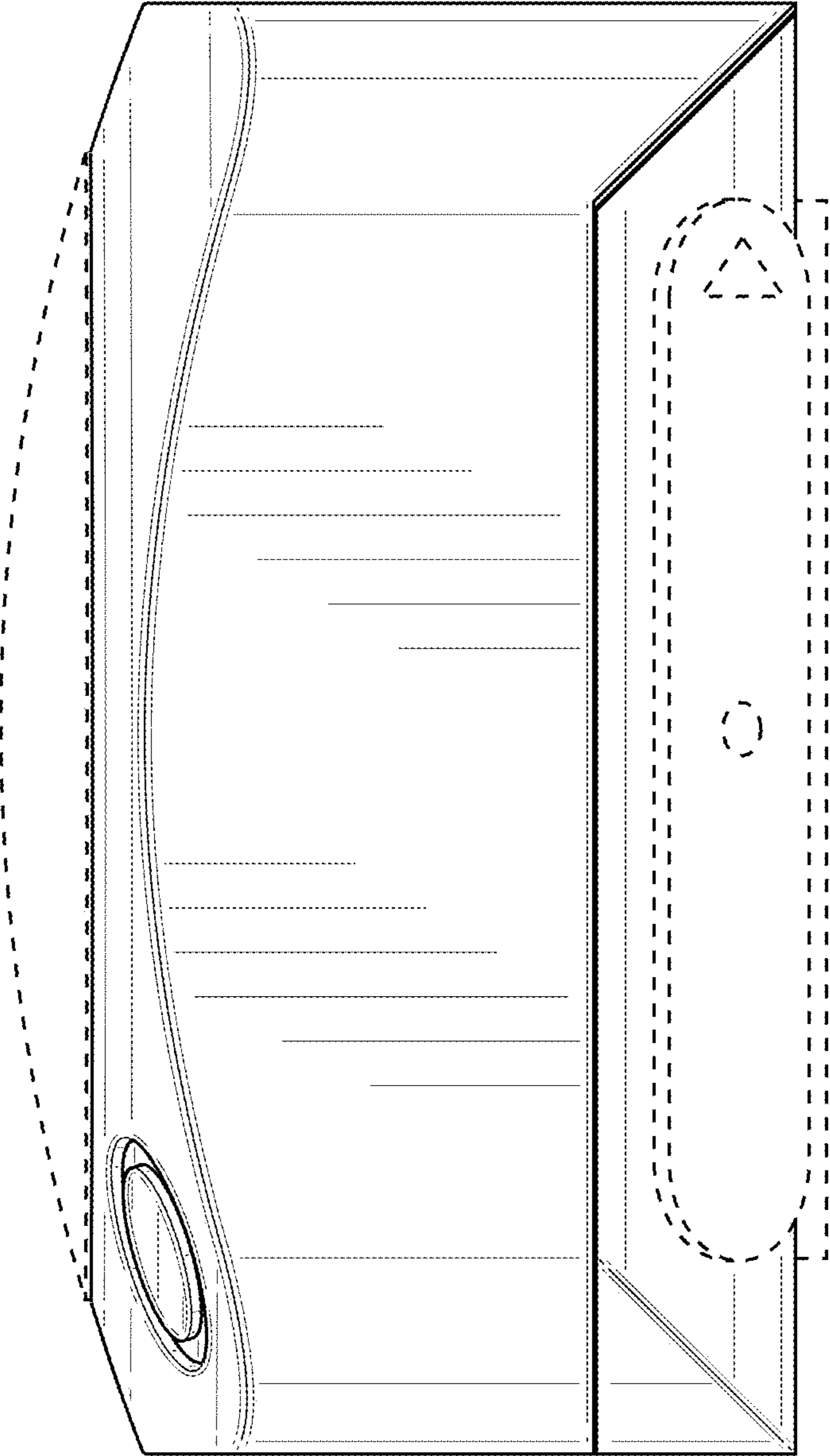


FIG. 6

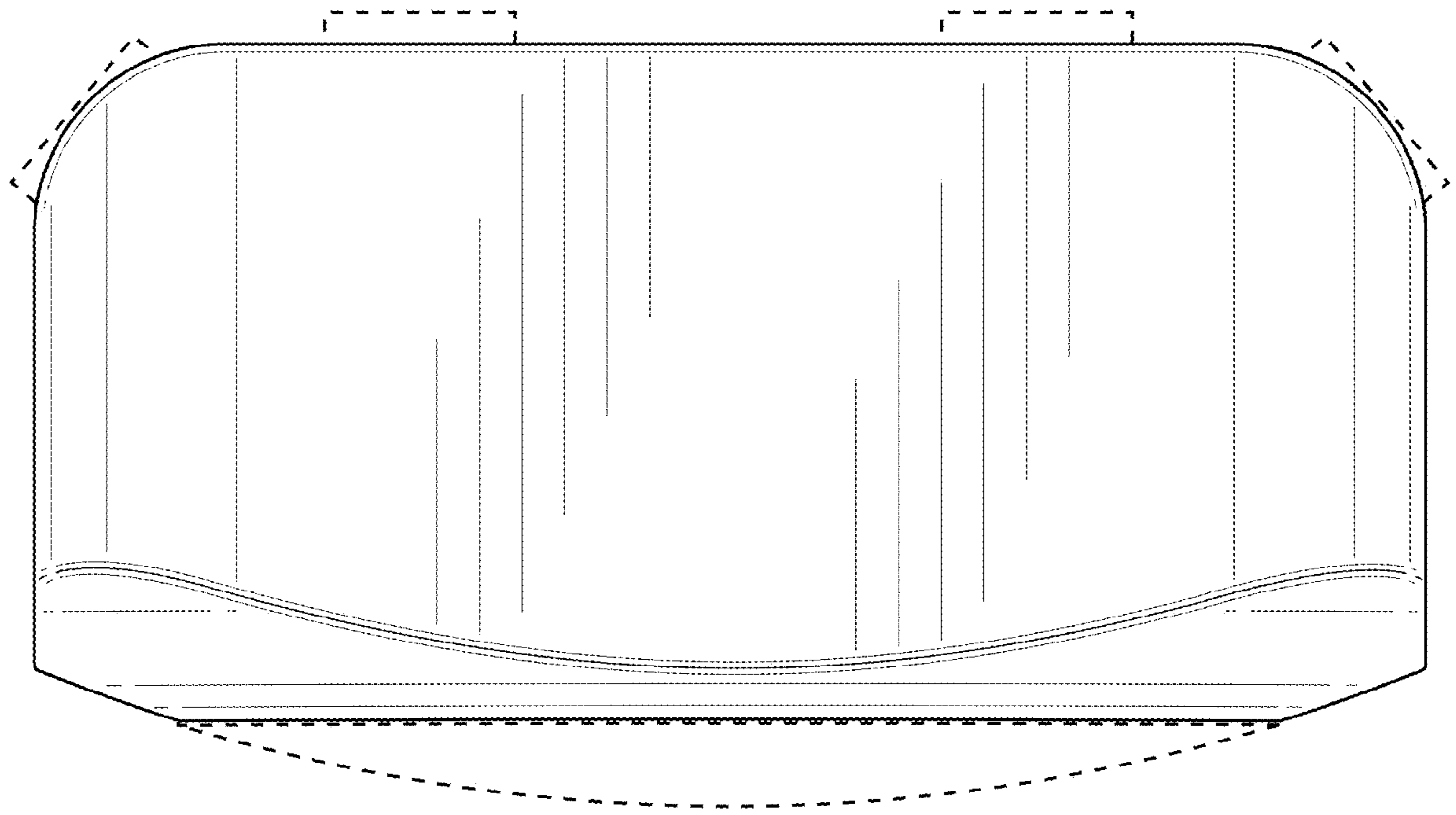


FIG. 7

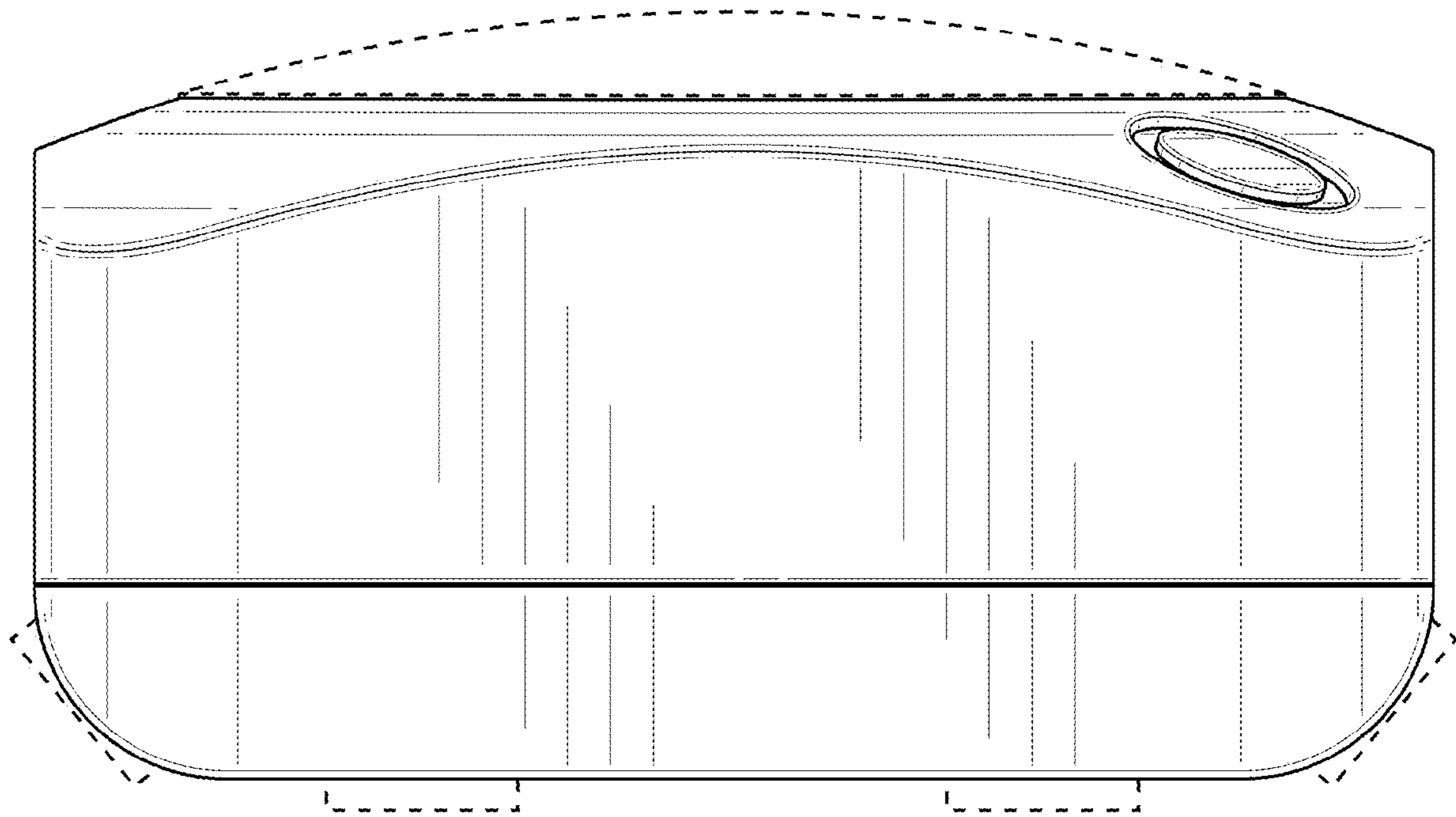


FIG. 8