



US00D942879S

(12) **United States Design Patent** (10) **Patent No.:** **US D942,879 S**  
**Fraze et al.** (45) **Date of Patent:** **\*\* Feb. 8, 2022**

(54) **METER, COVERLESS METER AND METER COVER**

(71) Applicant: **Sensus Spectrum, LLC**, Morrisville, NC (US)

(72) Inventors: **Eric Fraze**, Holly Springs, NC (US);  
**Anup Nandwana**, Goleta, CA (US);  
**Kevin Long**, DuBois, PA (US);  
**Katherine Xue**, Raleigh, NC (US)

(73) Assignee: **Sensus Spectrum, LLC**, Morrisville, NC (US)

(\*\*) Term: **15 Years**

(21) Appl. No.: **29/709,321**

(22) Filed: **Oct. 14, 2019**

(51) **LOC (13) Cl.** ..... **10-04**

(52) **U.S. Cl.**  
USPC ..... **D10/99**

(58) **Field of Classification Search**  
USPC ..... **D10/99**

(Continued)

(56) **References Cited**

U.S. PATENT DOCUMENTS

5,257,538 A \* 11/1993 Spendell ..... G01F 15/005  
73/198  
D415,440 S \* 10/1999 Beadsworth ..... G01F 15/005  
D10/99

(Continued)

*Primary Examiner* — Antoine Duval Davis

(74) *Attorney, Agent, or Firm* — Stanek Lemon Crouse & Meeks, PA

(57) **CLAIM**

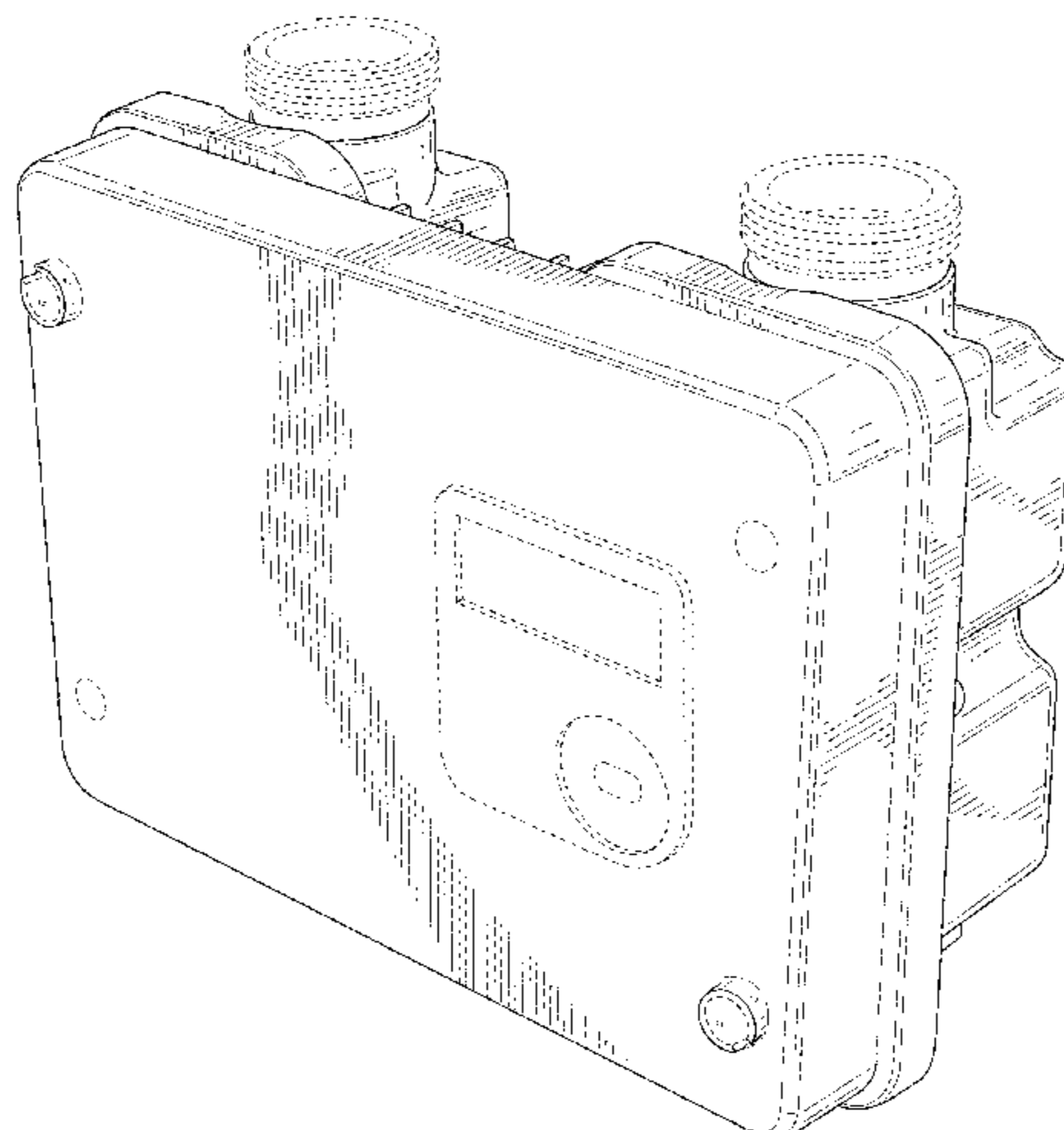
The ornamental design for a meter, coverless meter and meter cover, as shown and described.

**DESCRIPTION**

FIG. 1 is a front perspective view of an exterior of a meter showing our design;

FIG. 2 is a front view thereof;  
FIG. 3 back view, opposite the front view thereof;  
FIG. 4 is a first side view thereof;  
FIG. 5 is second side view thereof, opposite that shown in FIG. 4;  
FIG. 6 is a top view of the meter;  
FIG. 7 is a bottom view thereof;  
FIG. 8 is an exploded view of the meter in an environmental view illustrating the front and rear casings and the printed circuit board of the meter;  
FIG. 9 is a cross-section of the meter (along line 9-9 in FIG. 2) showing a printed circuit board positioned therein and a distance between the printed circuit board and the meter;  
FIG. 10 is a front view of the meter having a portion of the cover removed (along line 10-10 of FIG. 6) to reveal the printed circuit board and a portion of the cover of the meter extending between two portions of the printed circuit board;  
FIG. 11 is a front perspective view of a coverless meter having a printed circuit board positioned thereon;  
FIG. 12 is a front view thereof;  
FIG. 13 back view, opposite the front view thereof;  
FIG. 14 is a first side view thereof;  
FIG. 15 is second side view thereof, opposite that shown in FIG. 14;  
FIG. 16 is a top view of the coverless meter;  
FIG. 17 is a bottom view thereof;  
FIG. 18 is a front perspective view of a coverless meter without a printed circuit board positioned thereon;  
FIG. 19 is a front view thereof;  
FIG. 20 back view, opposite the front view thereof;  
FIG. 21 is a first side view thereof;  
FIG. 22 is second side view thereof, opposite that shown in FIG. 21;  
FIG. 23 is a top view of the coverless meter;  
FIG. 24 is a bottom view thereof;  
FIG. 25 is a front perspective view of a cover of a meter;  
FIG. 26 is a back perspective view of the cover of the meter;  
FIG. 27 is a front view thereof;  
FIG. 28 back view, opposite the front view thereof;  
FIG. 29 is a first side view thereof;  
FIG. 30 is second side view thereof, opposite that shown in FIG. 29;  
FIG. 31 is a top view of the cover of the meter; and,  
FIG. 32 is a bottom view of the cover of the meter.

(Continued)



The broken lines shown in the figures depict environment that form no part of the claimed design.

**1 Claim, 30 Drawing Sheets**

**(58) Field of Classification Search**

CPC ..... G01F 1/662; G01F 3/225; G01F 15/14  
See application file for complete search history.

**(56) References Cited**

U.S. PATENT DOCUMENTS

6,453,757	B1 *	9/2002	Montag .....	G01F 1/662 73/861.28
10,197,432	B2 *	2/2019	Mo .....	G01F 23/363
D882,436	S *	4/2020	Fraze .....	G01F 15/14 D10/99
10,656,000	B2 *	5/2020	Kobayashi .....	G01F 15/18
10,982,789	B2 *	4/2021	Heizenroeder .....	G01F 15/14

\* cited by examiner

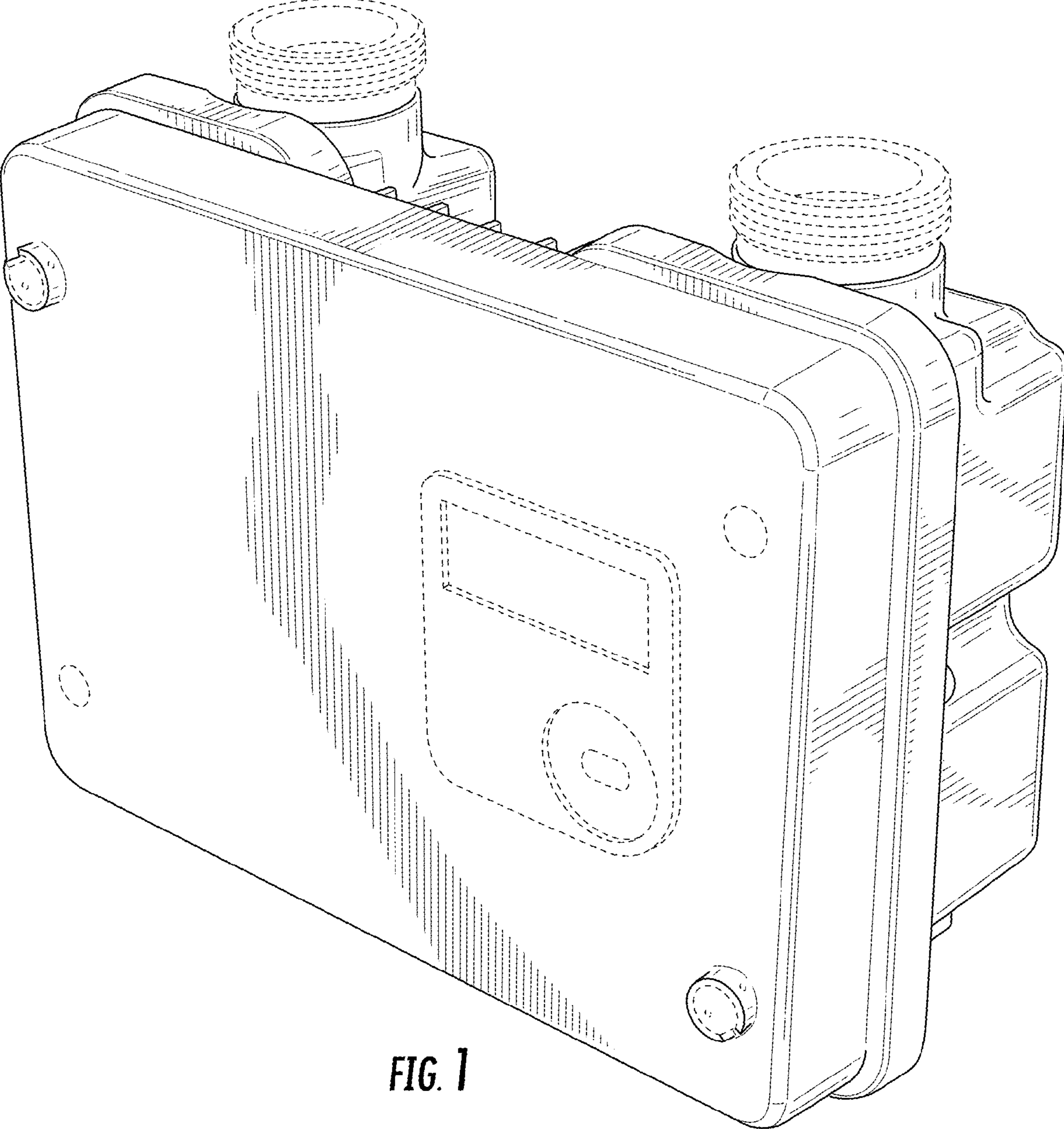


FIG. 1

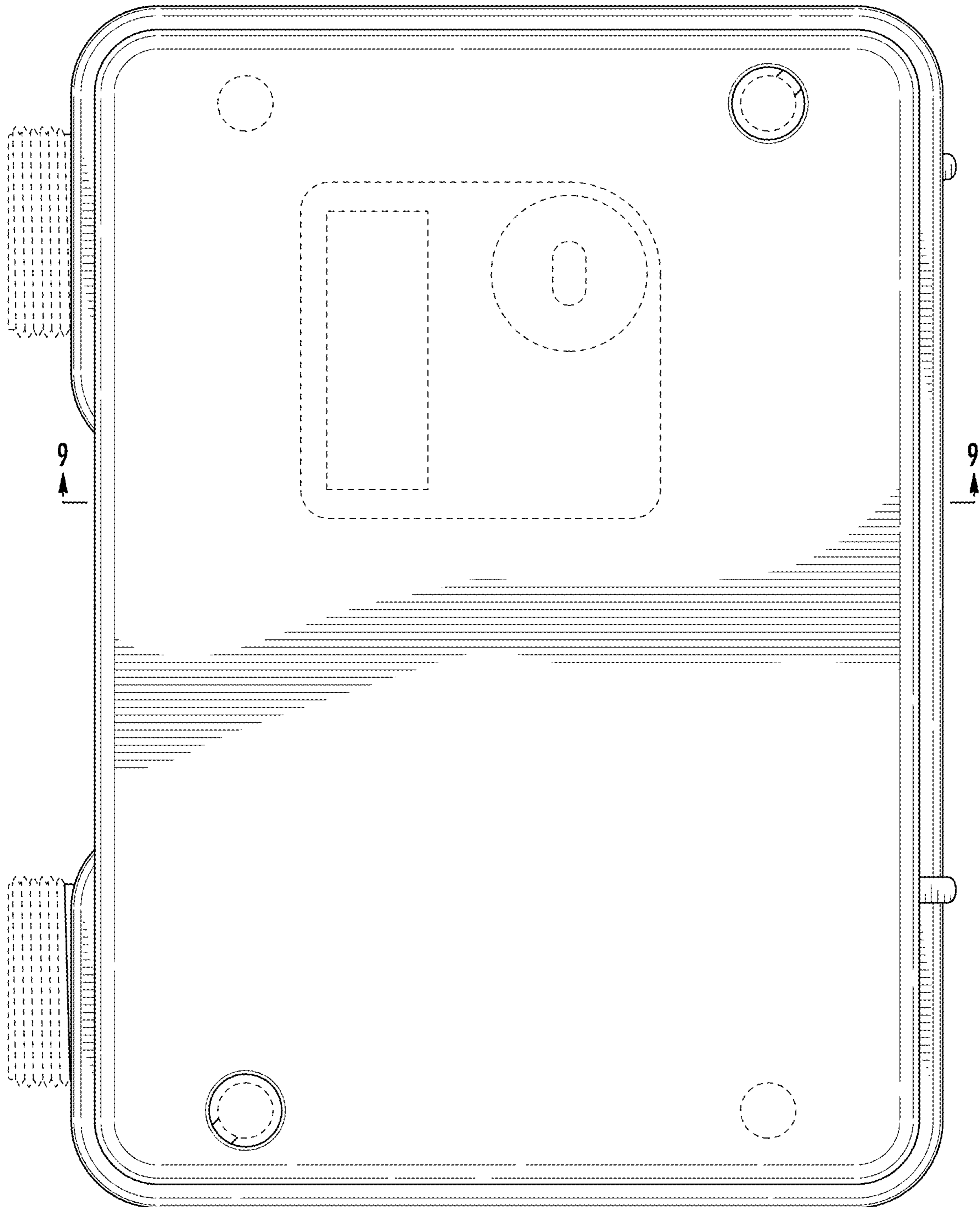


FIG. 2



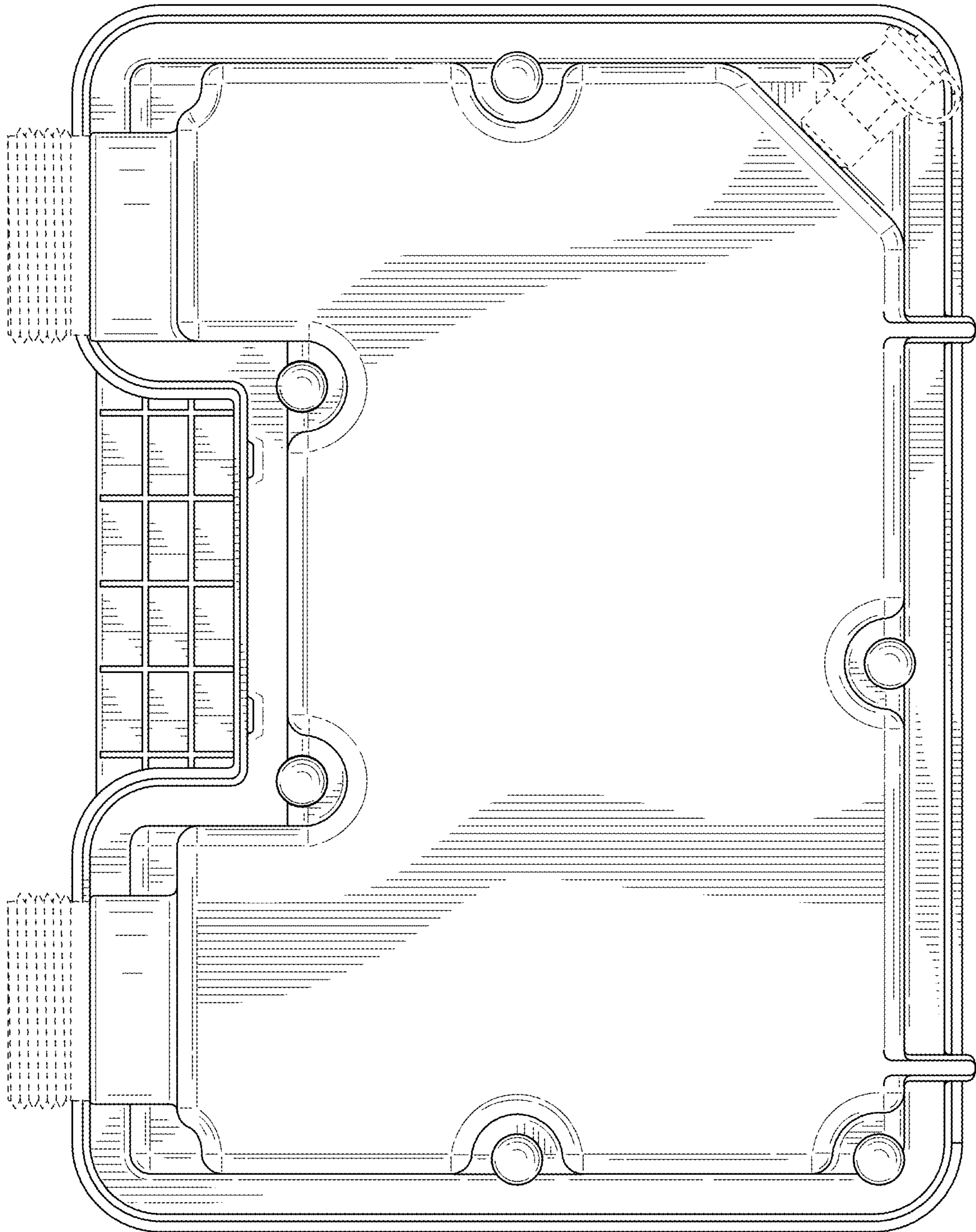


FIG. 3

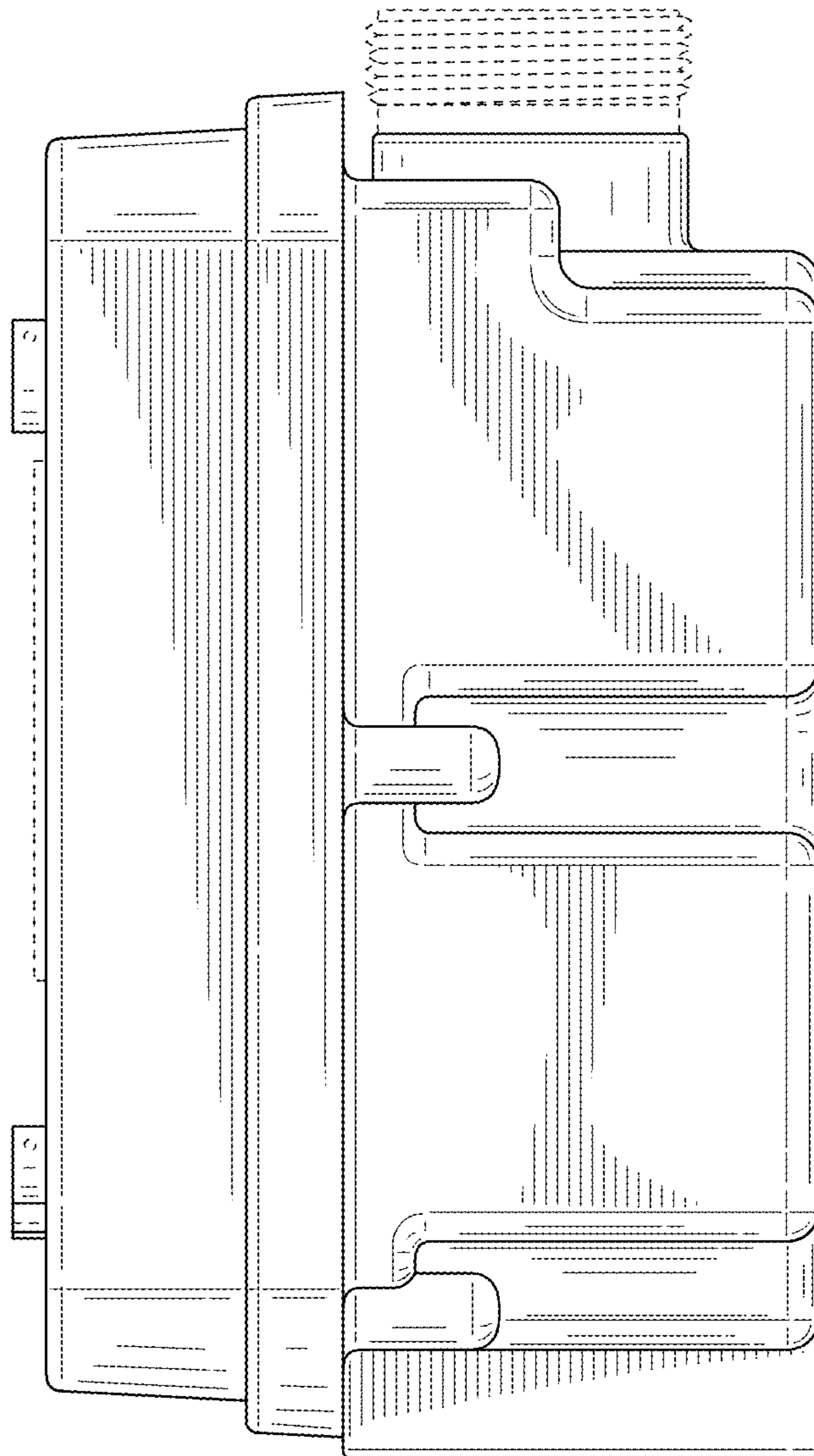


FIG. 4

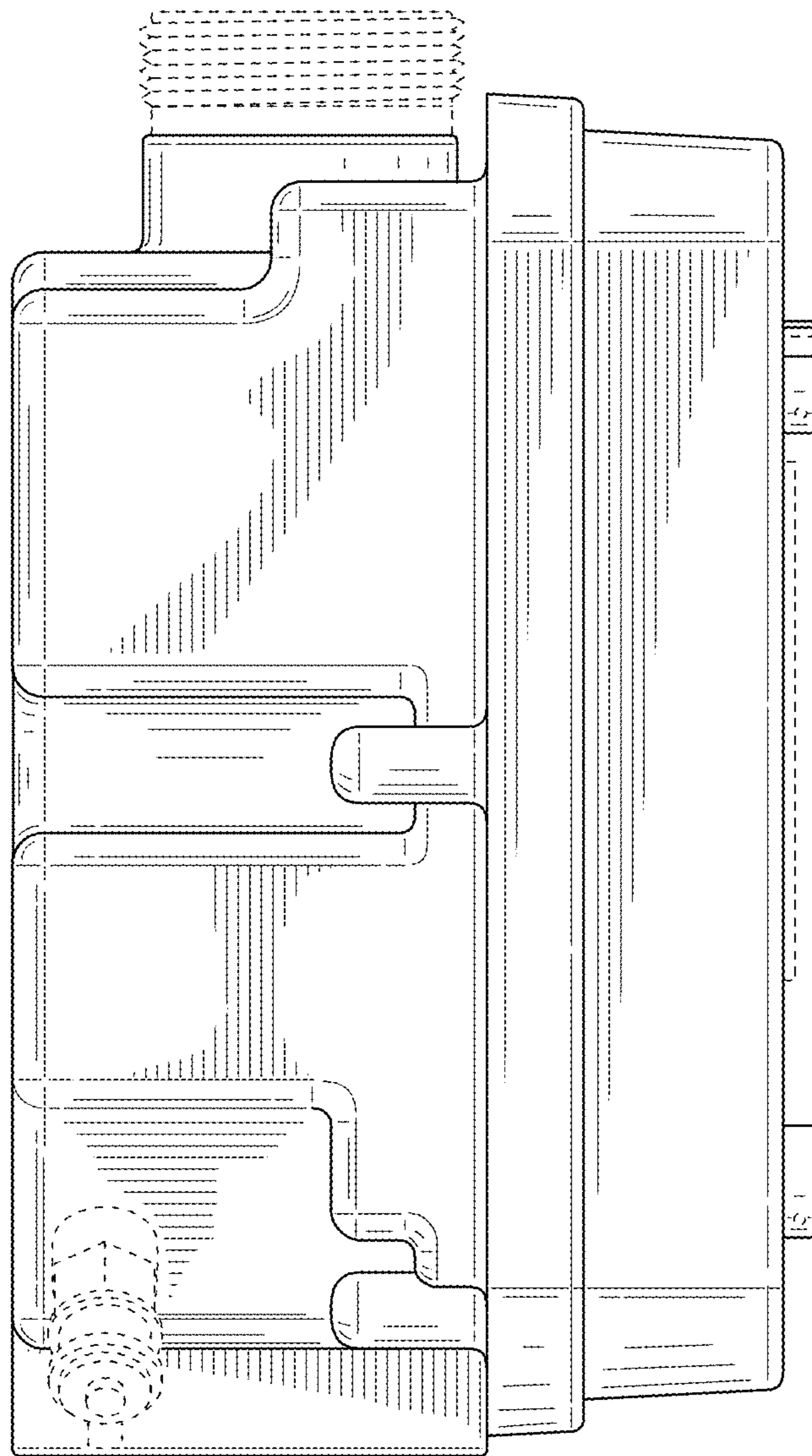


FIG. 5

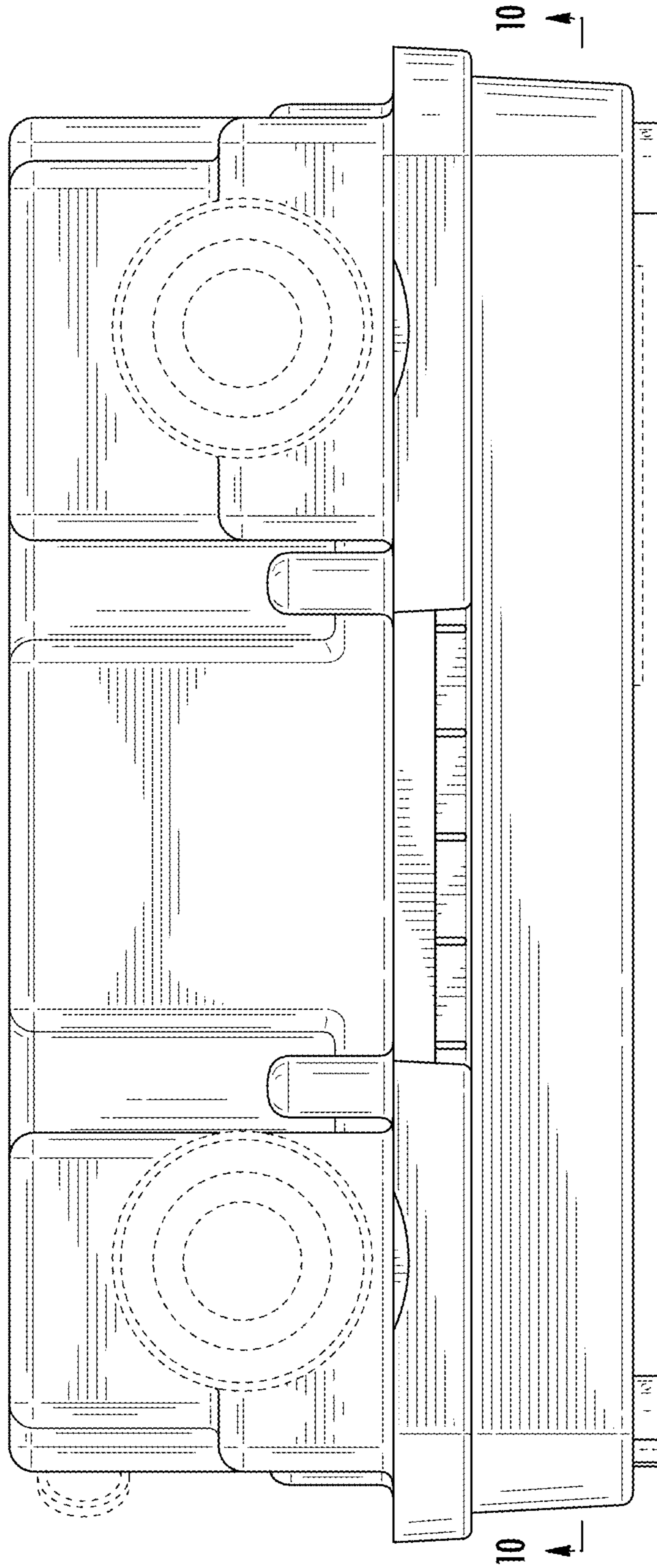


FIG. 6



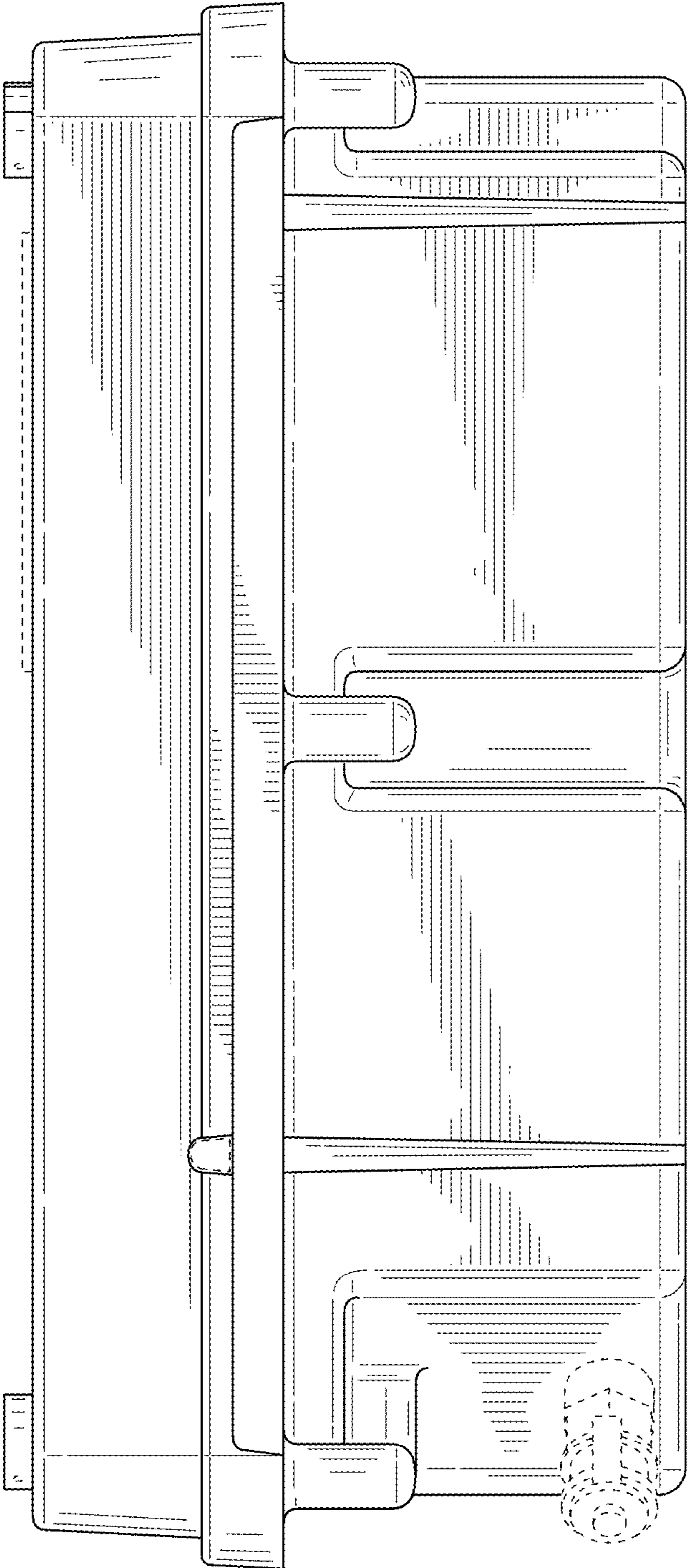


FIG. 7

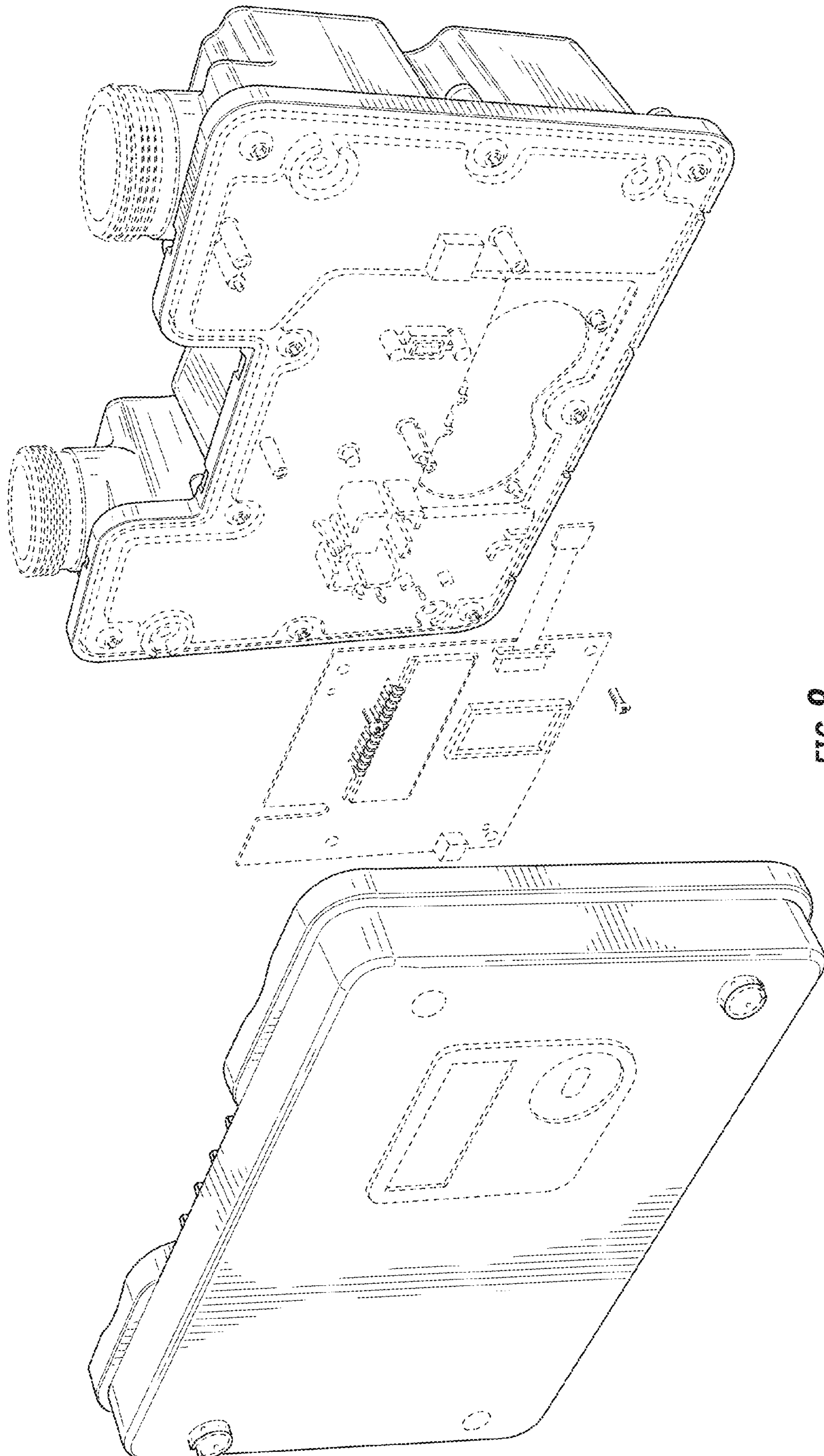
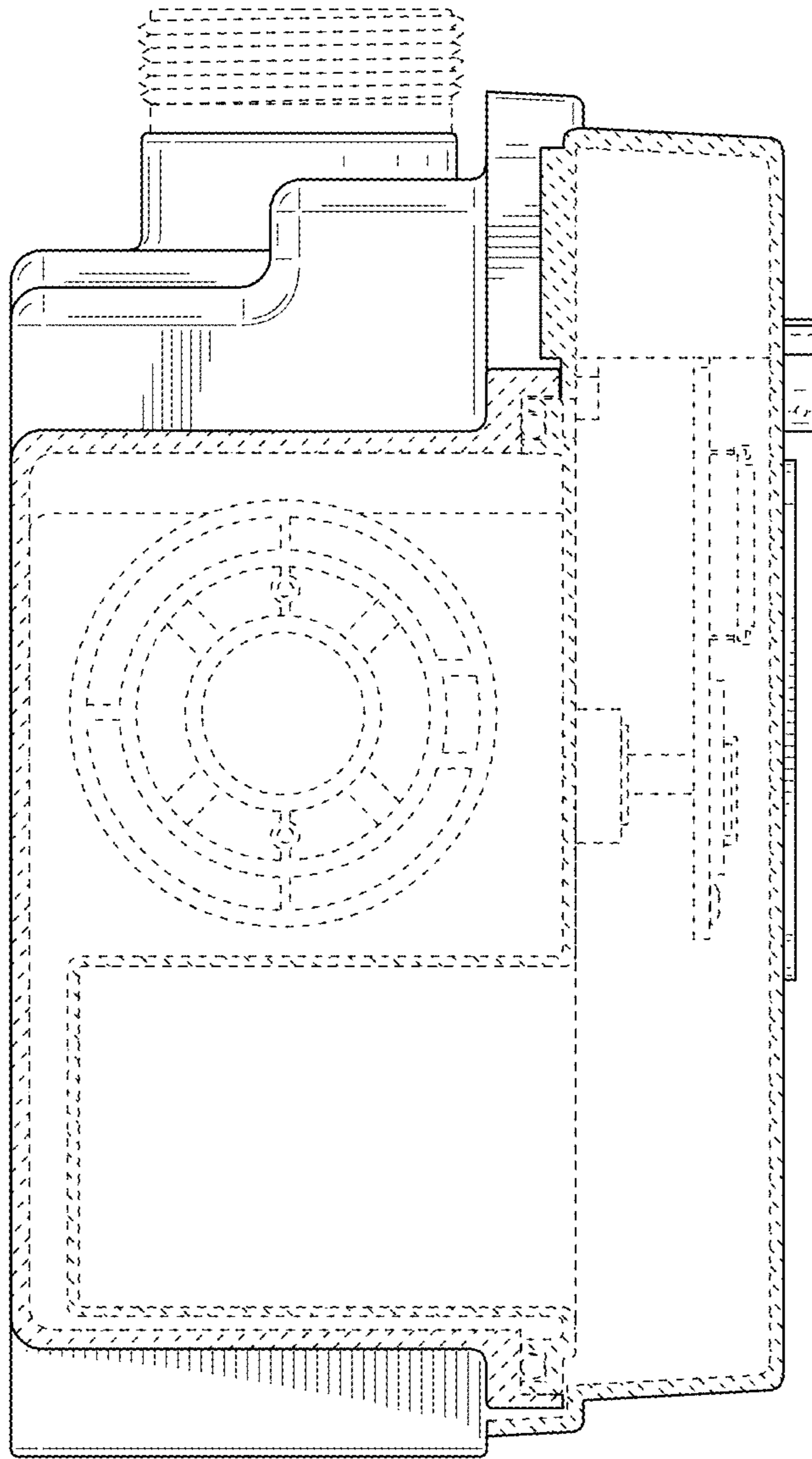


FIG. 8



**FIG. 9**

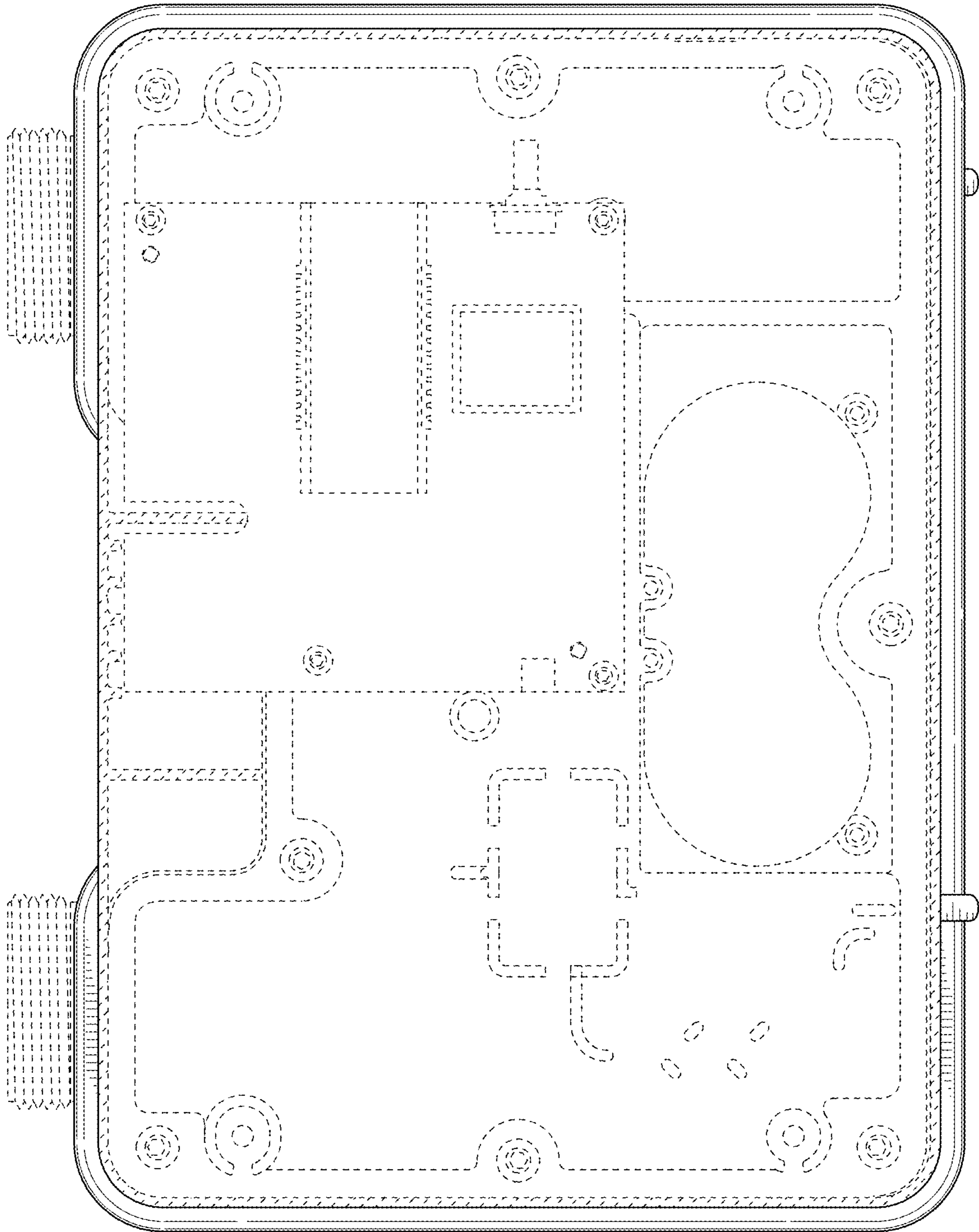


FIG. 10



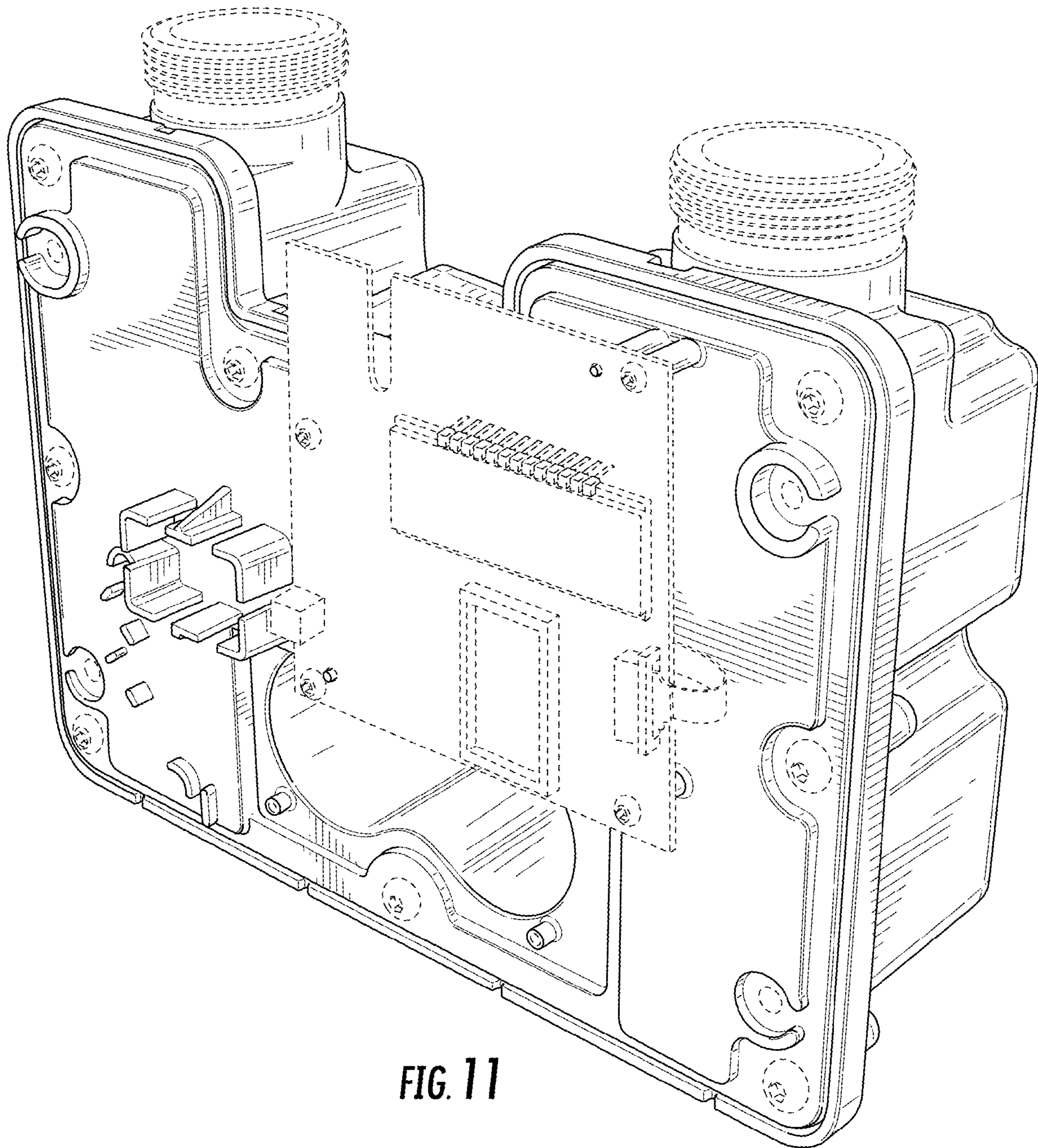


FIG. 11

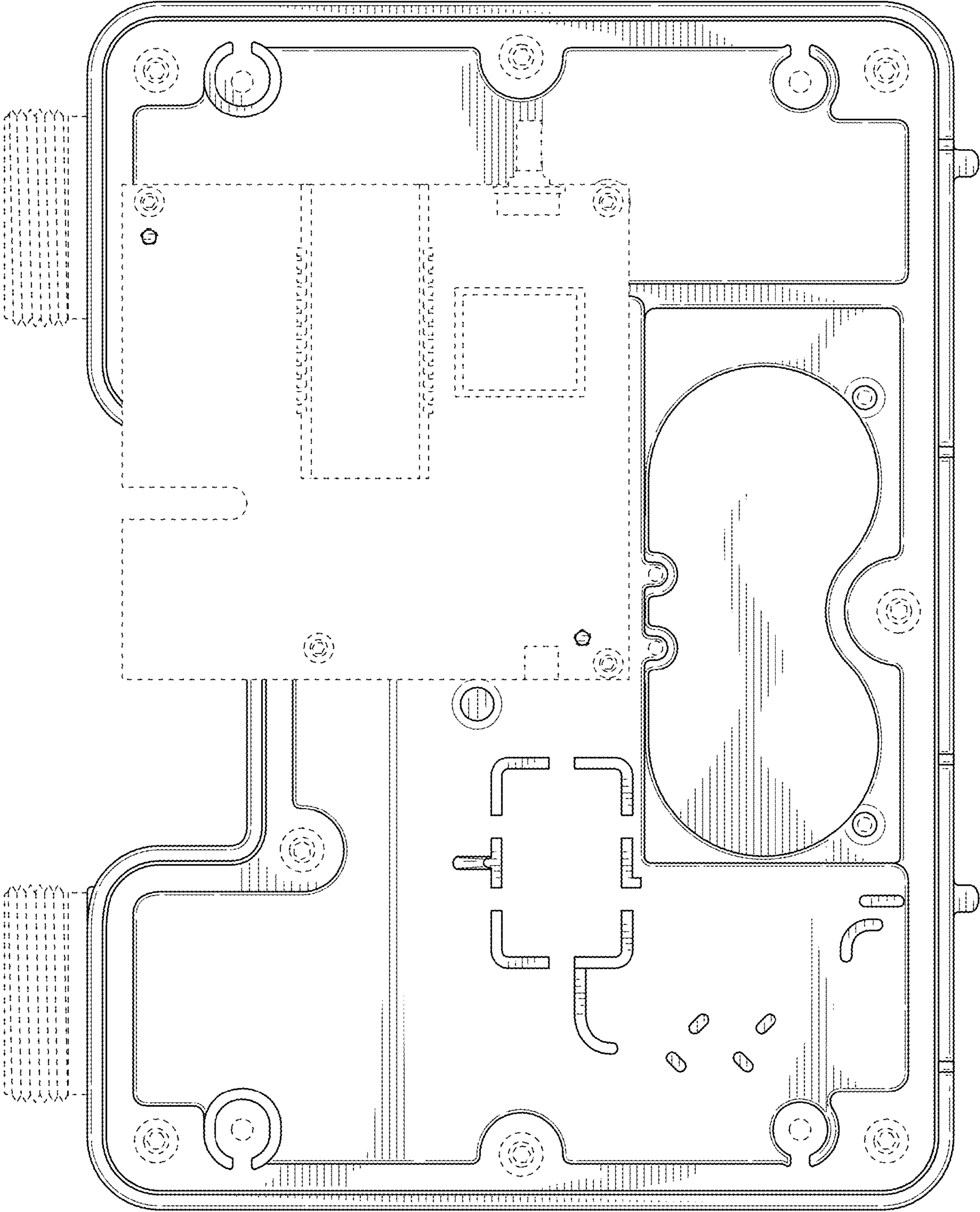


FIG. 12

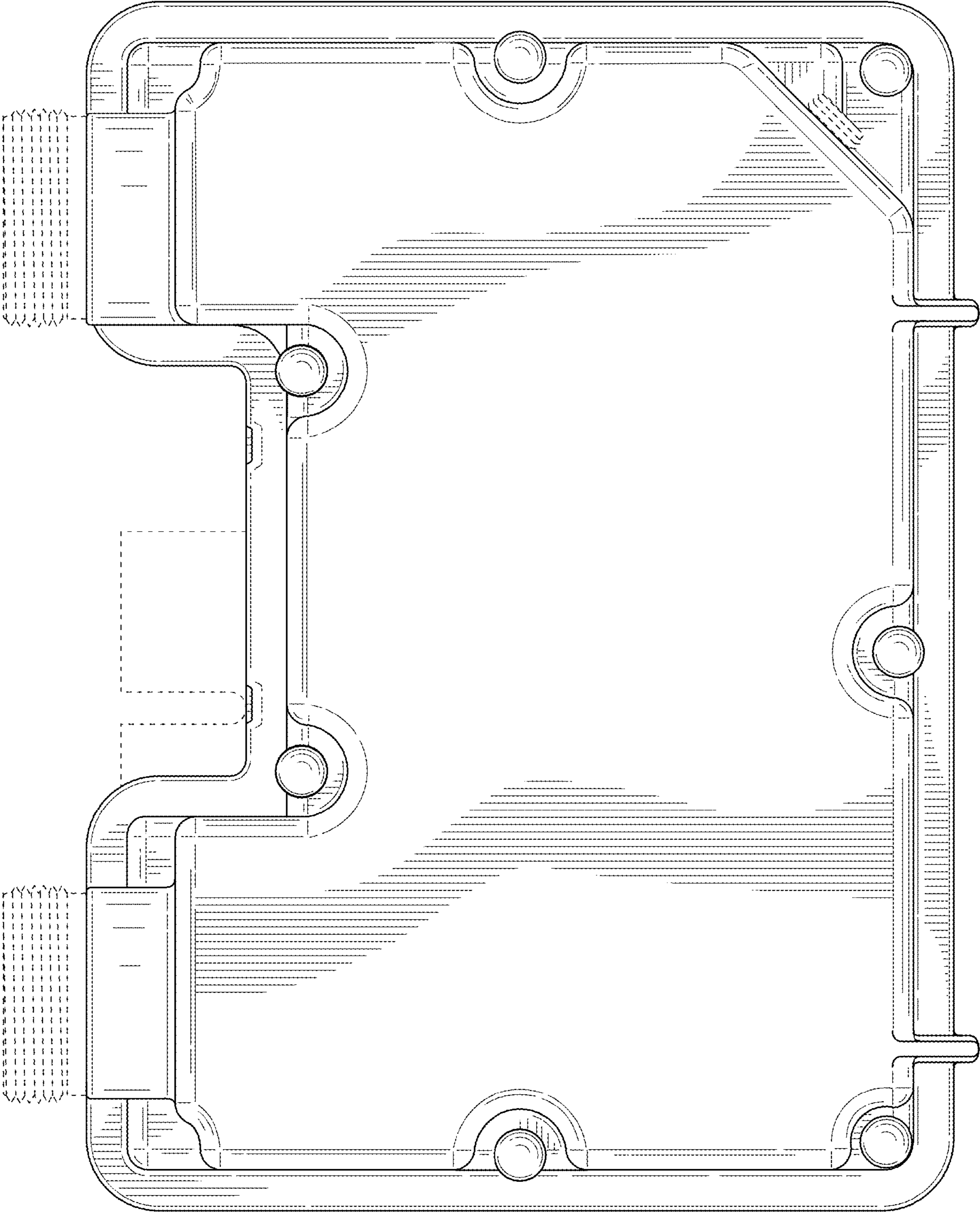


FIG. 13



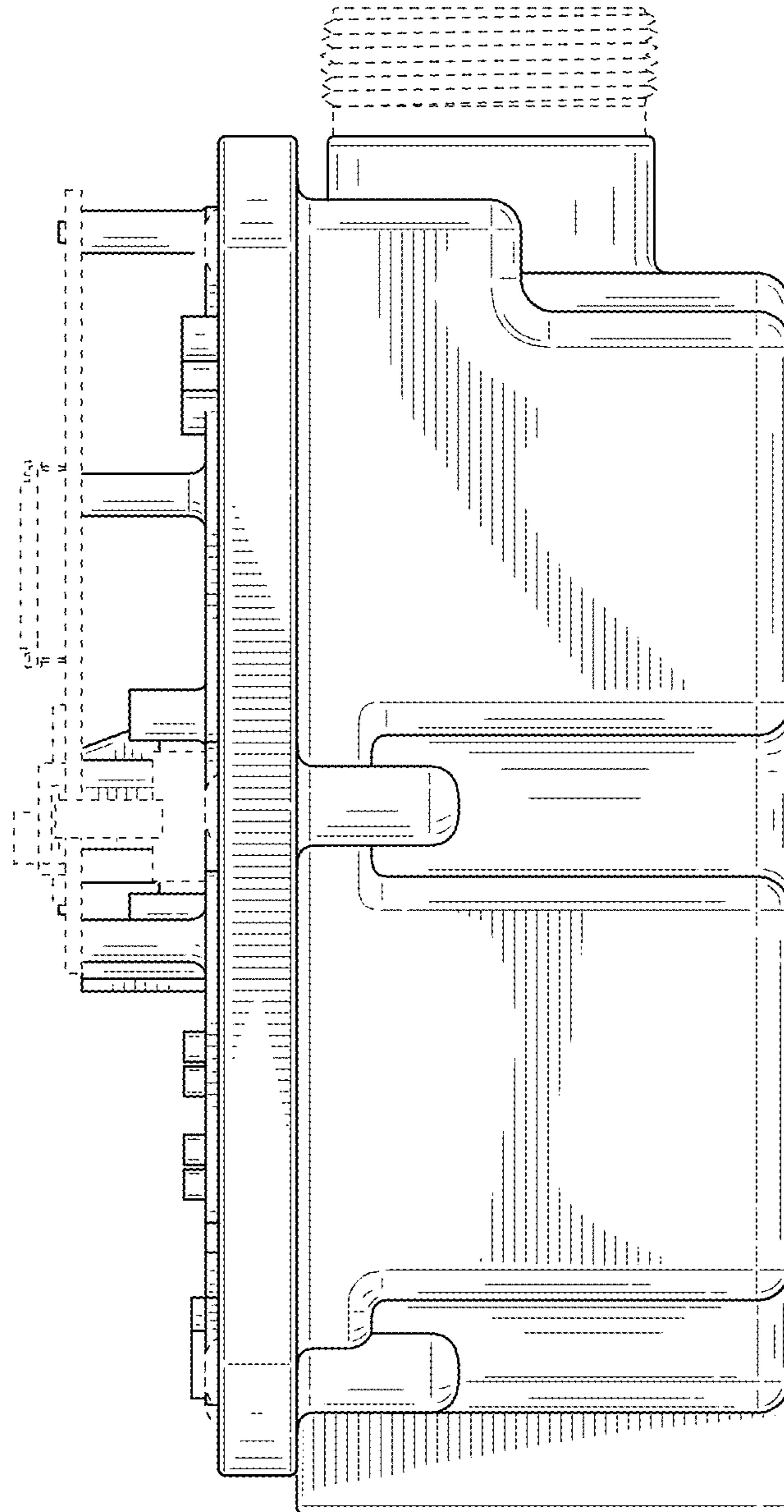


FIG. 14



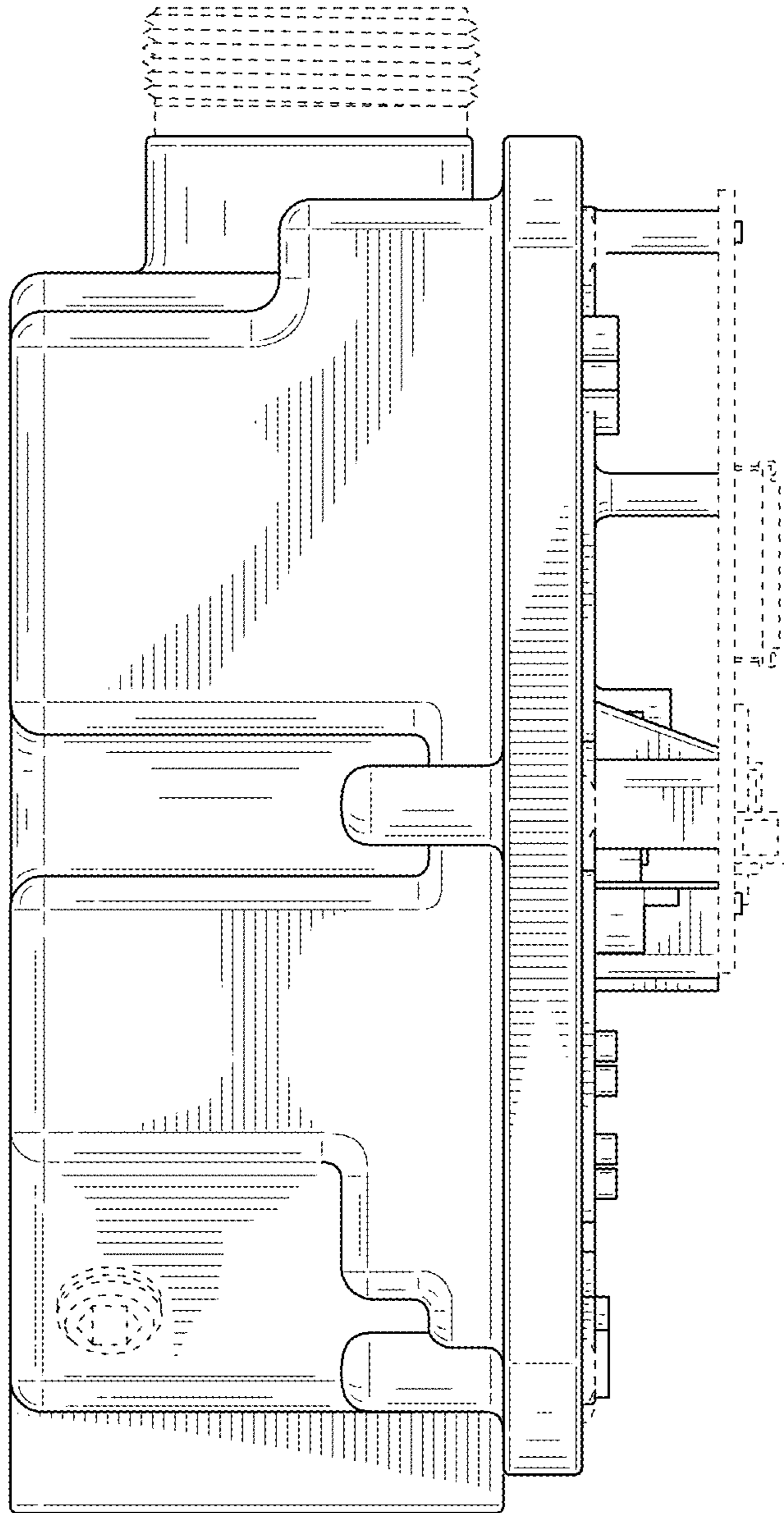


FIG. 15

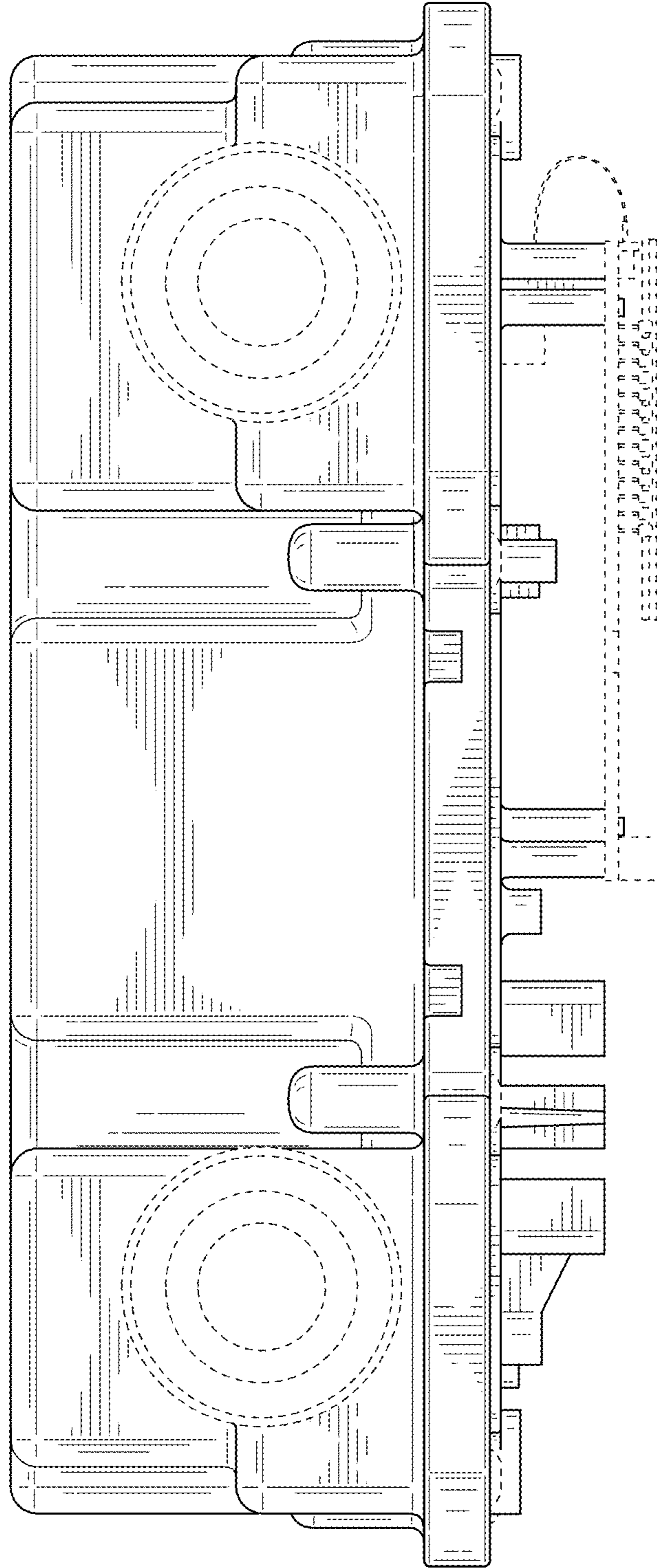


FIG. 16

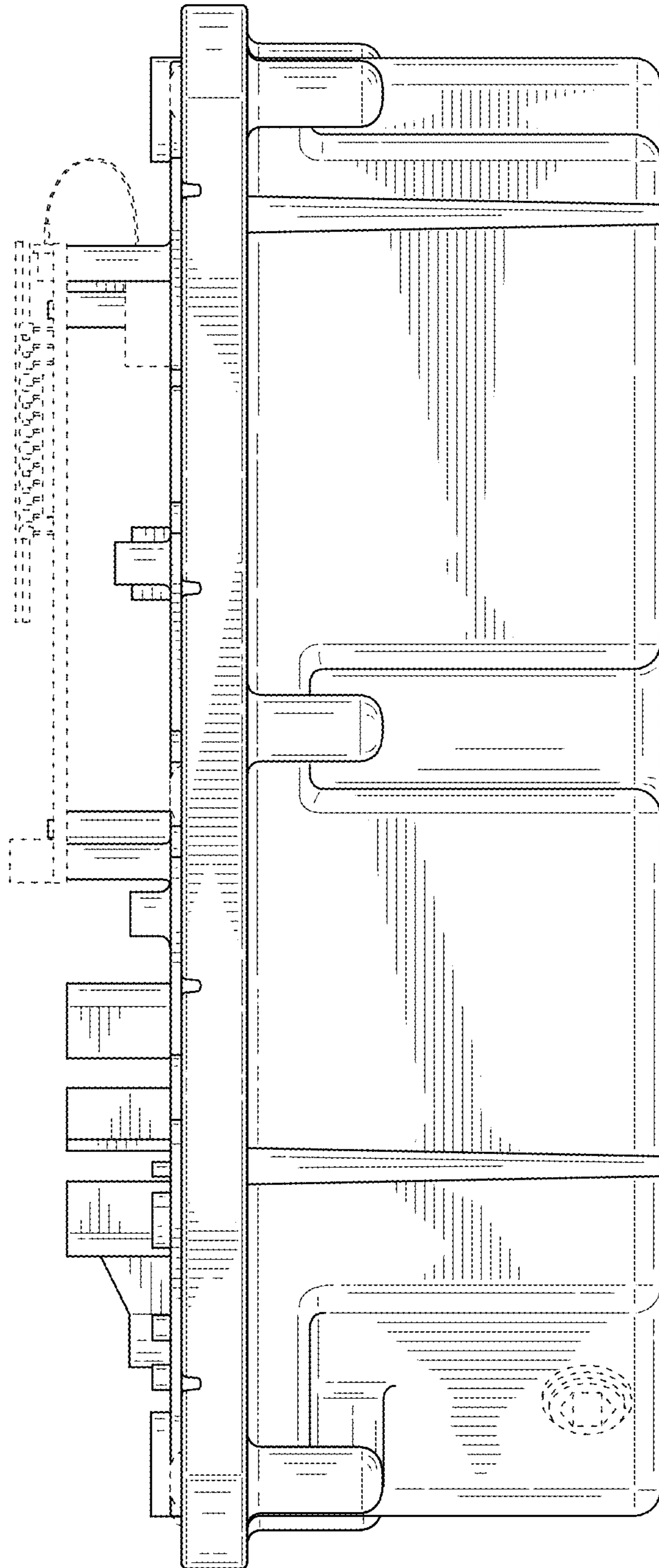


FIG. 17

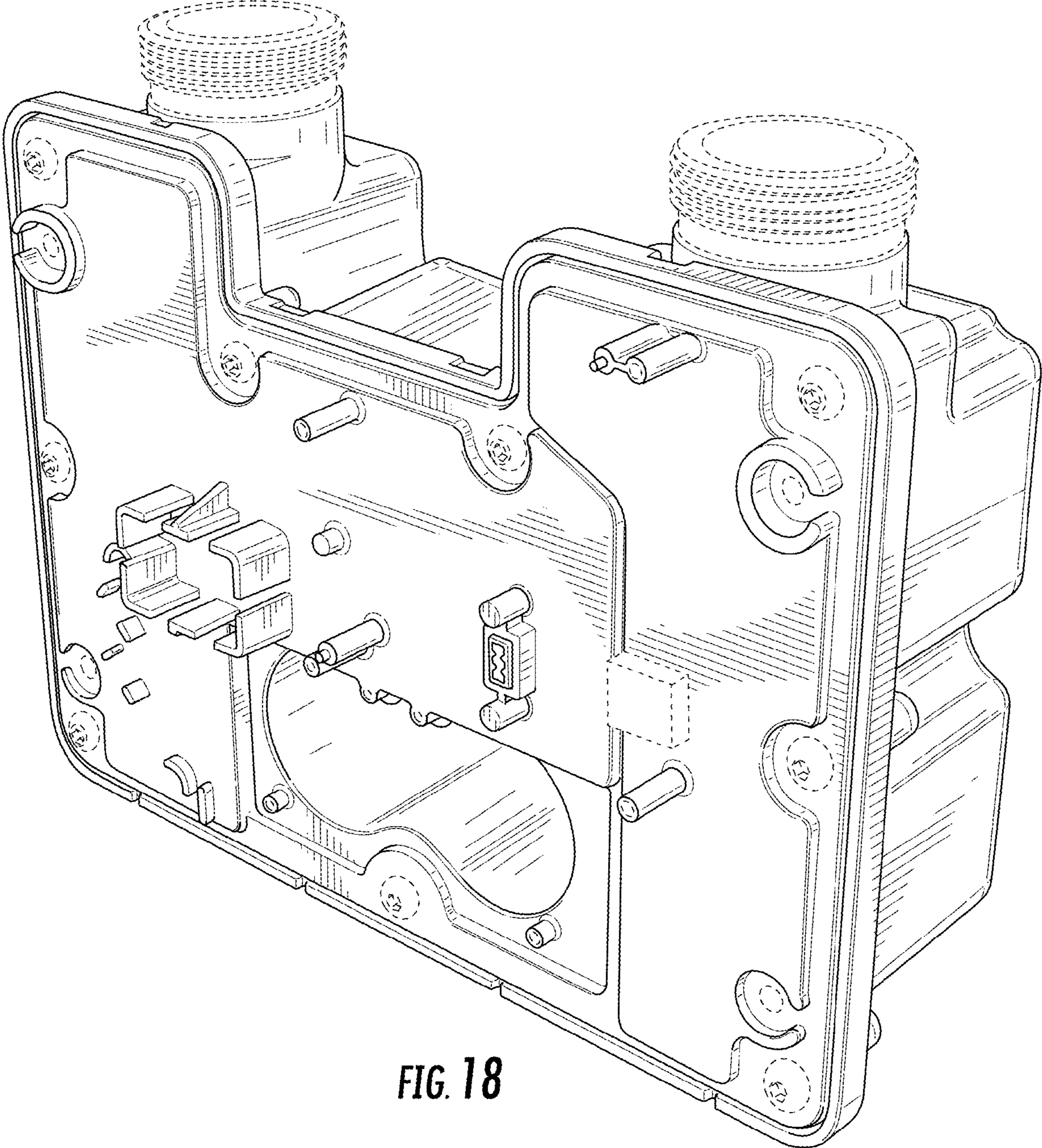


FIG. 18



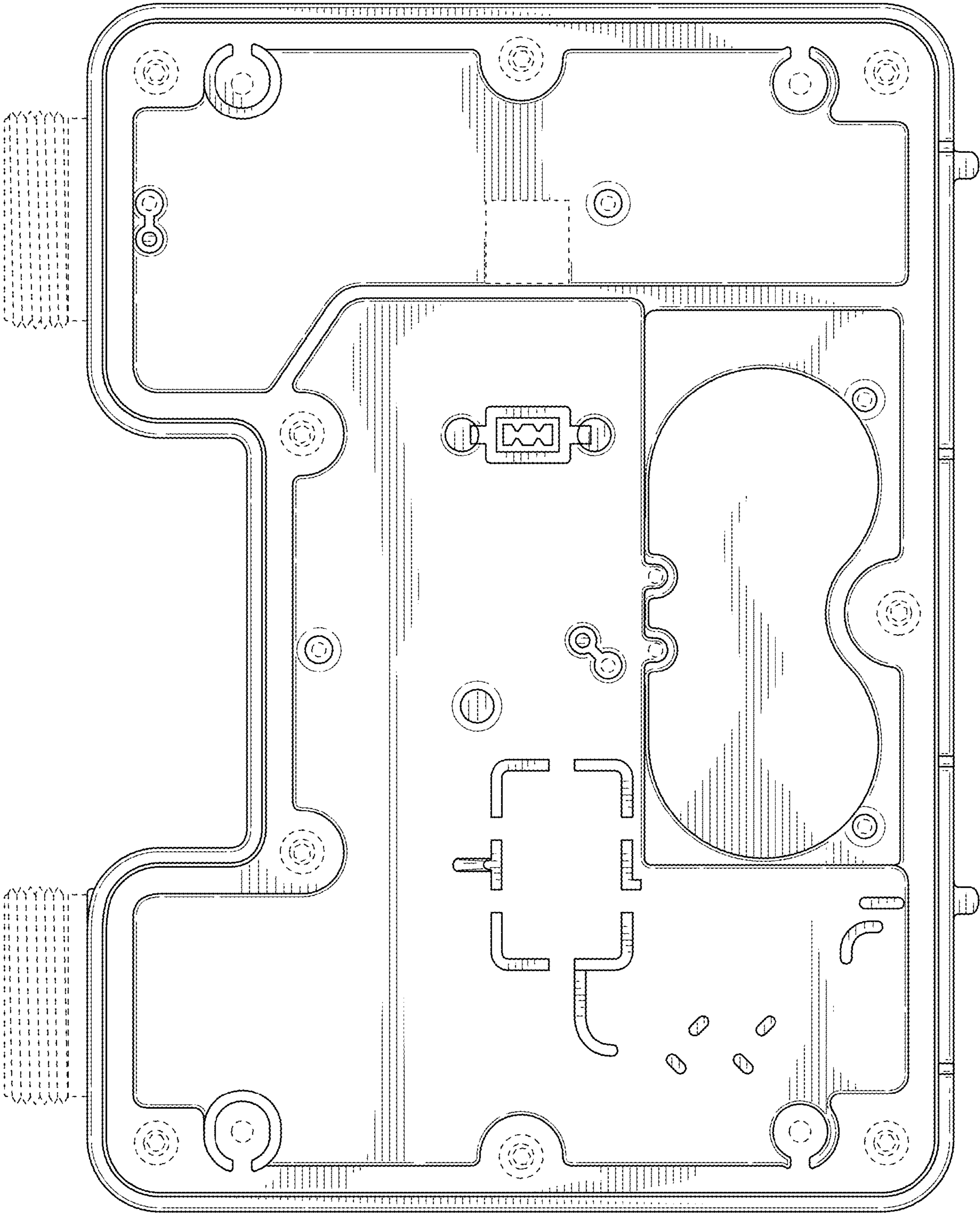


FIG. 19

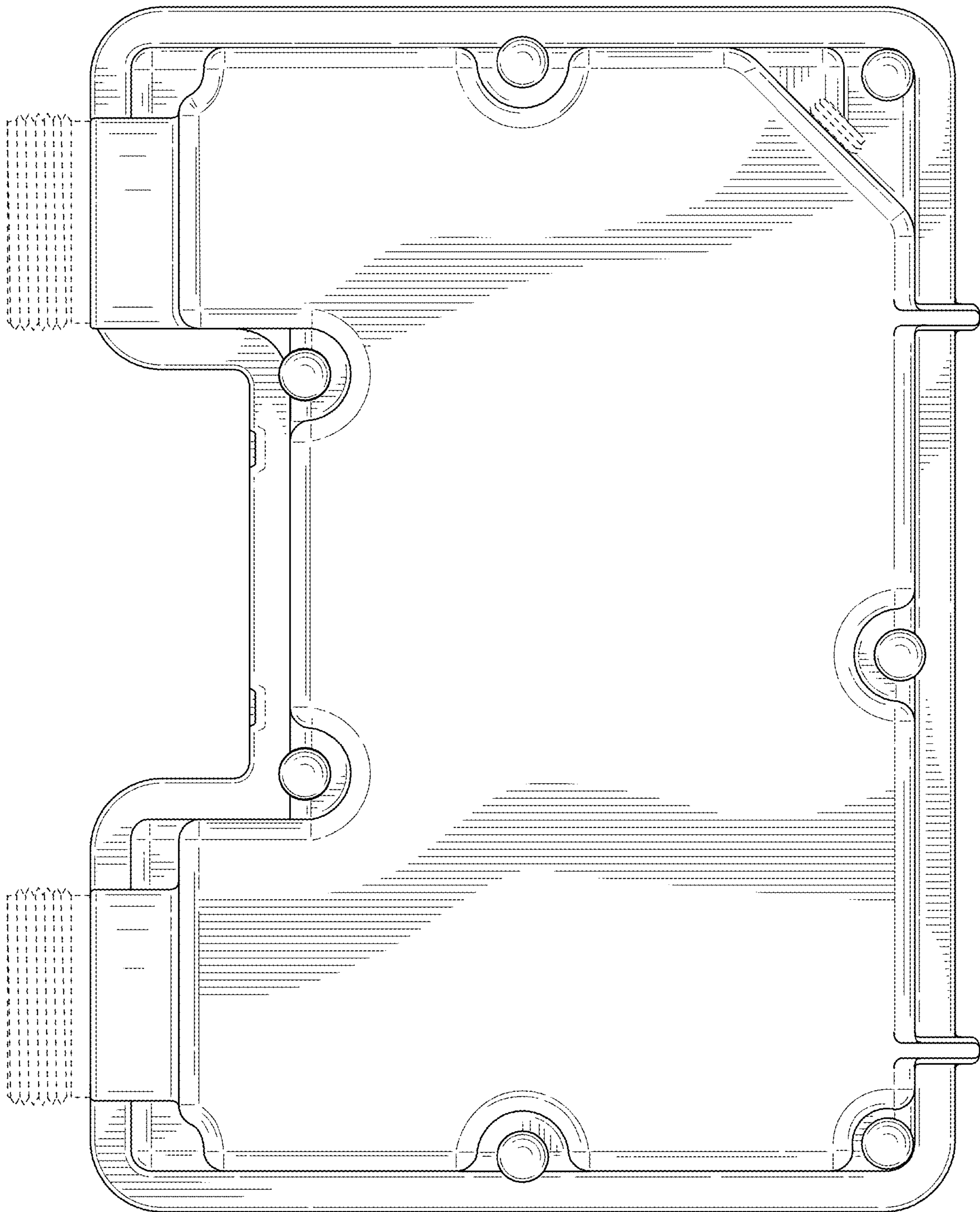
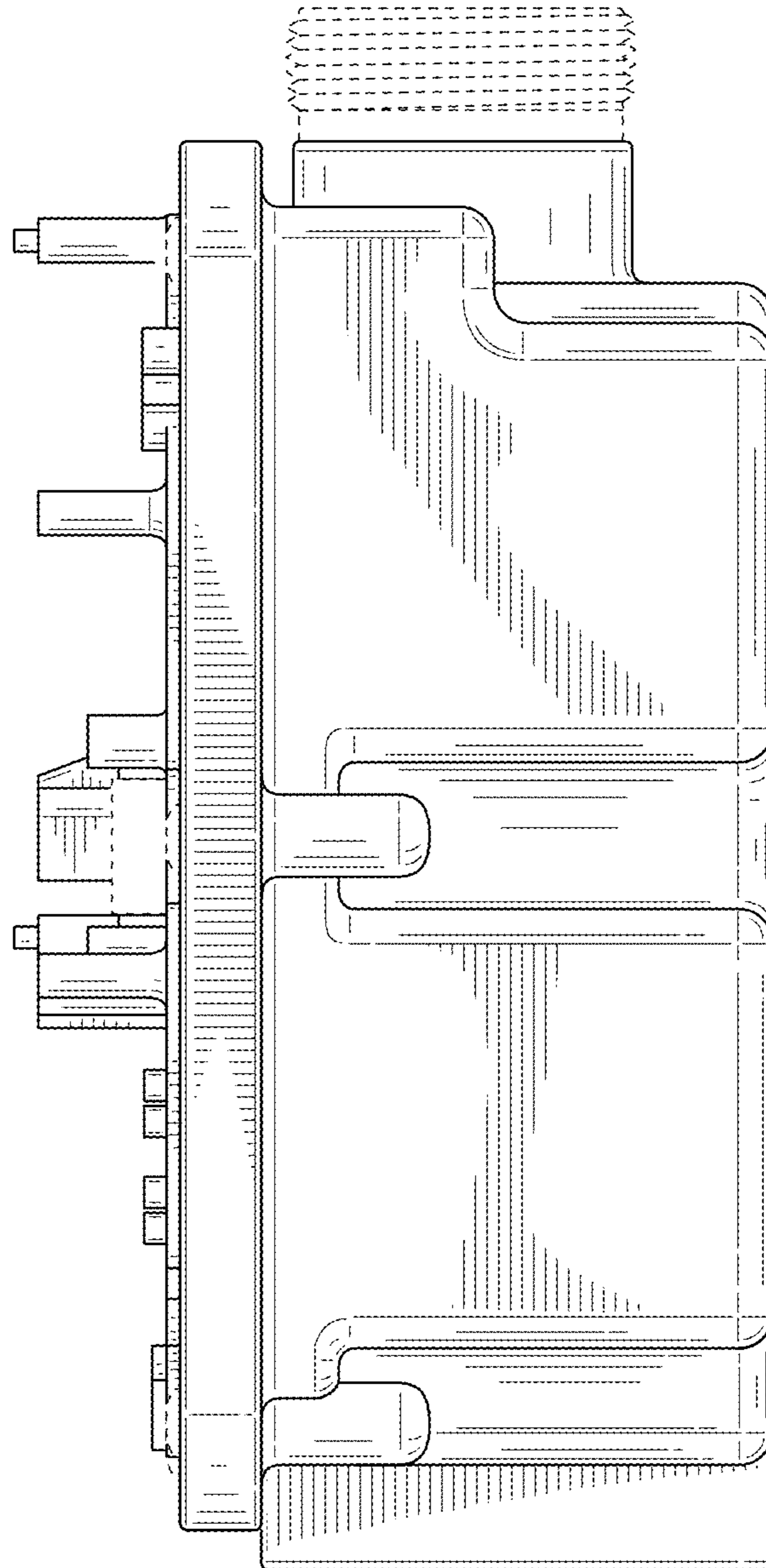


FIG. 20



**FIG. 21**

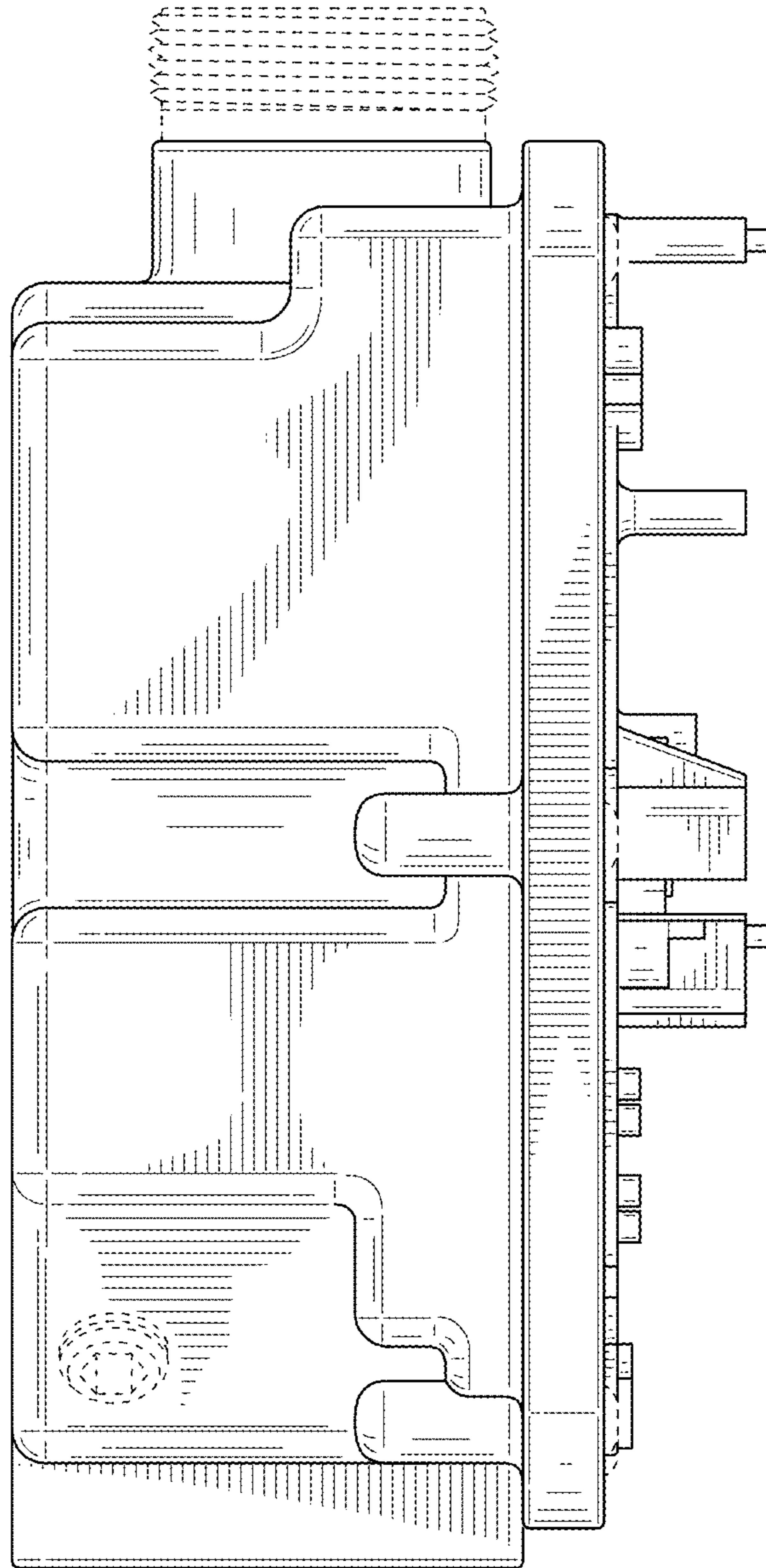


FIG. 22



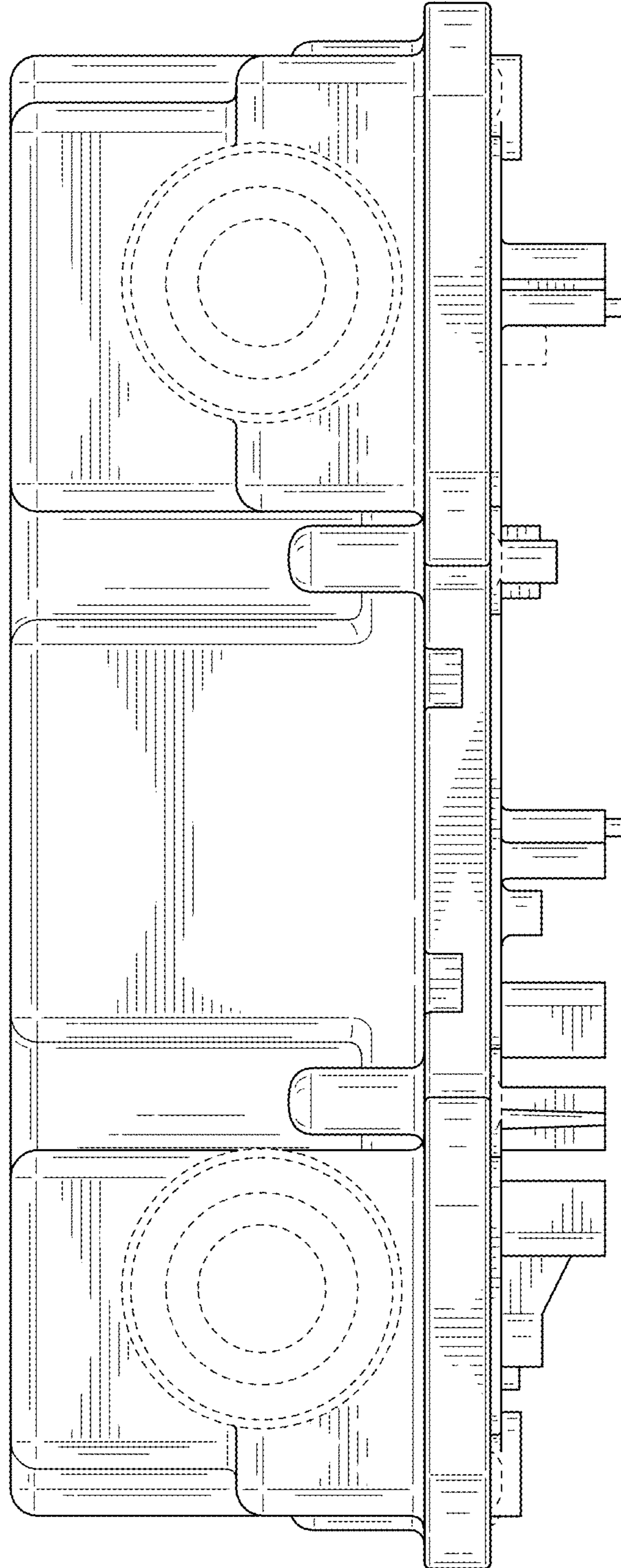


FIG. 23

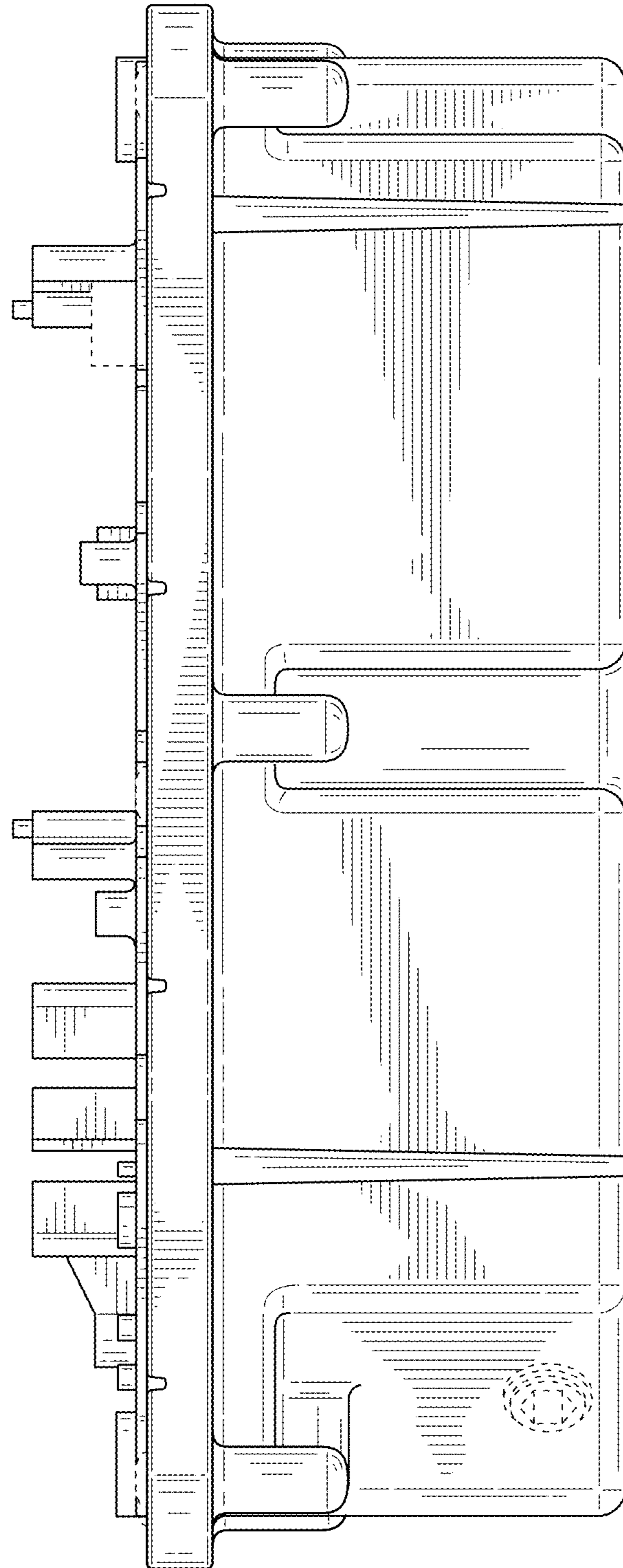


FIG. 24

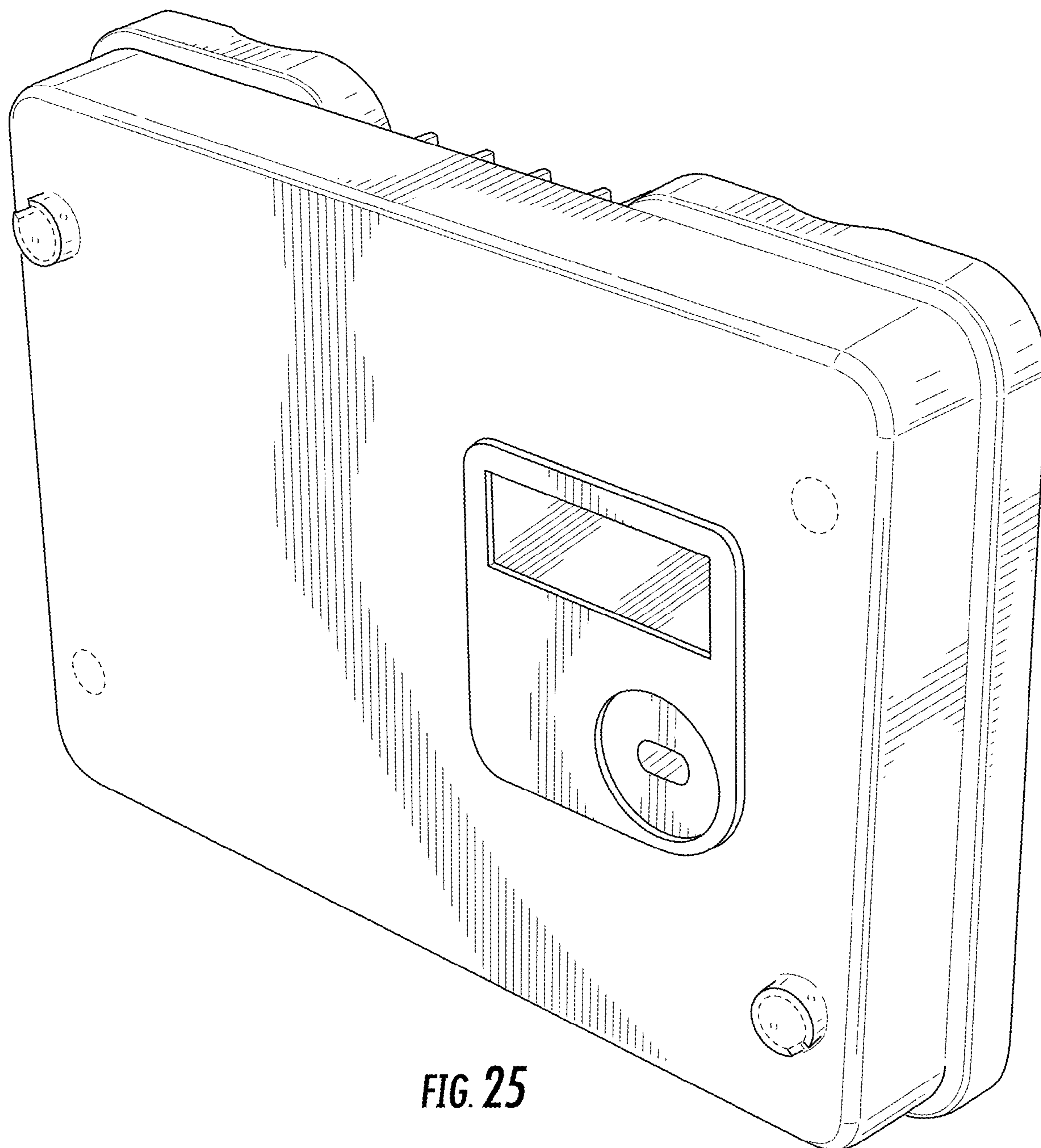


FIG. 25

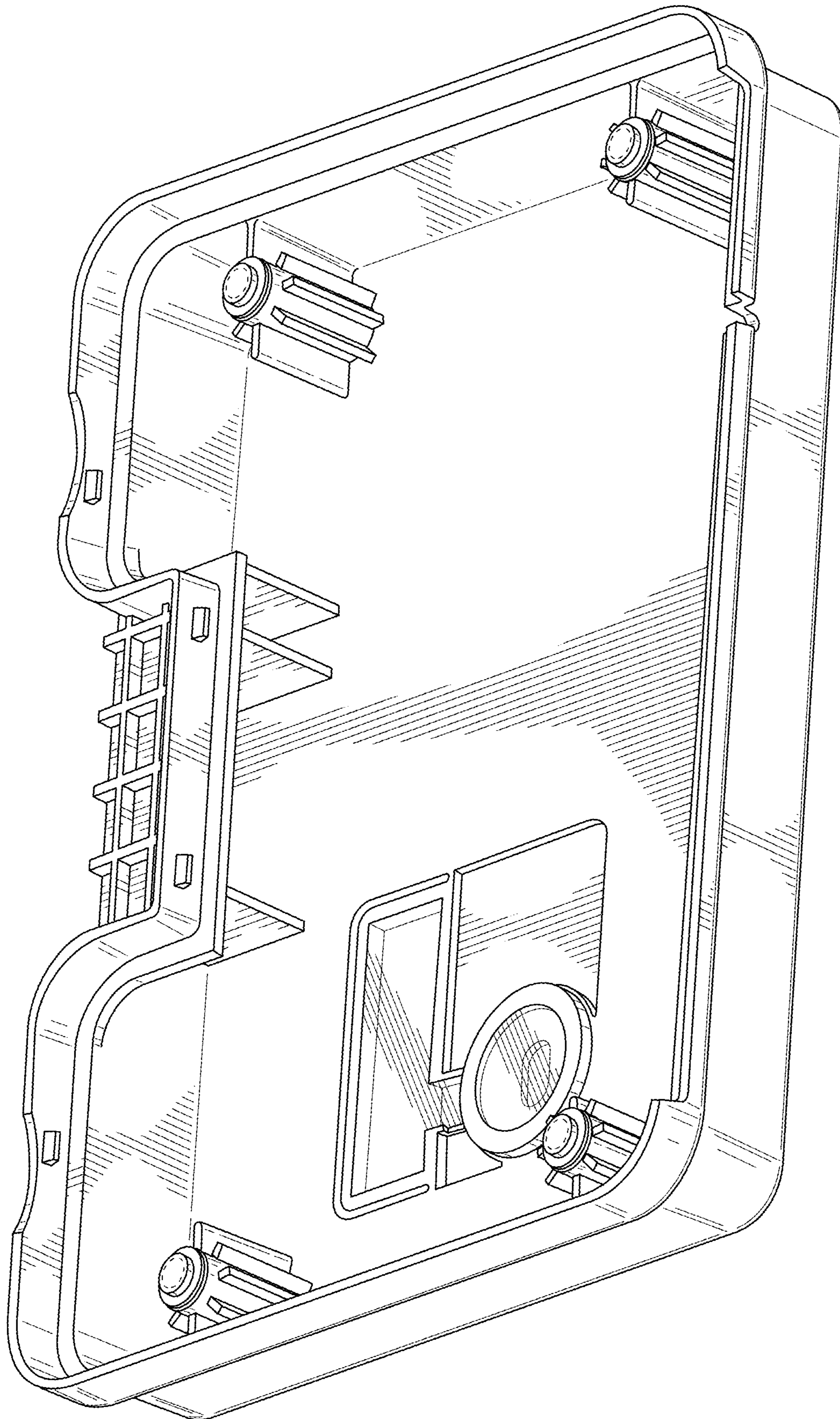


FIG. 26



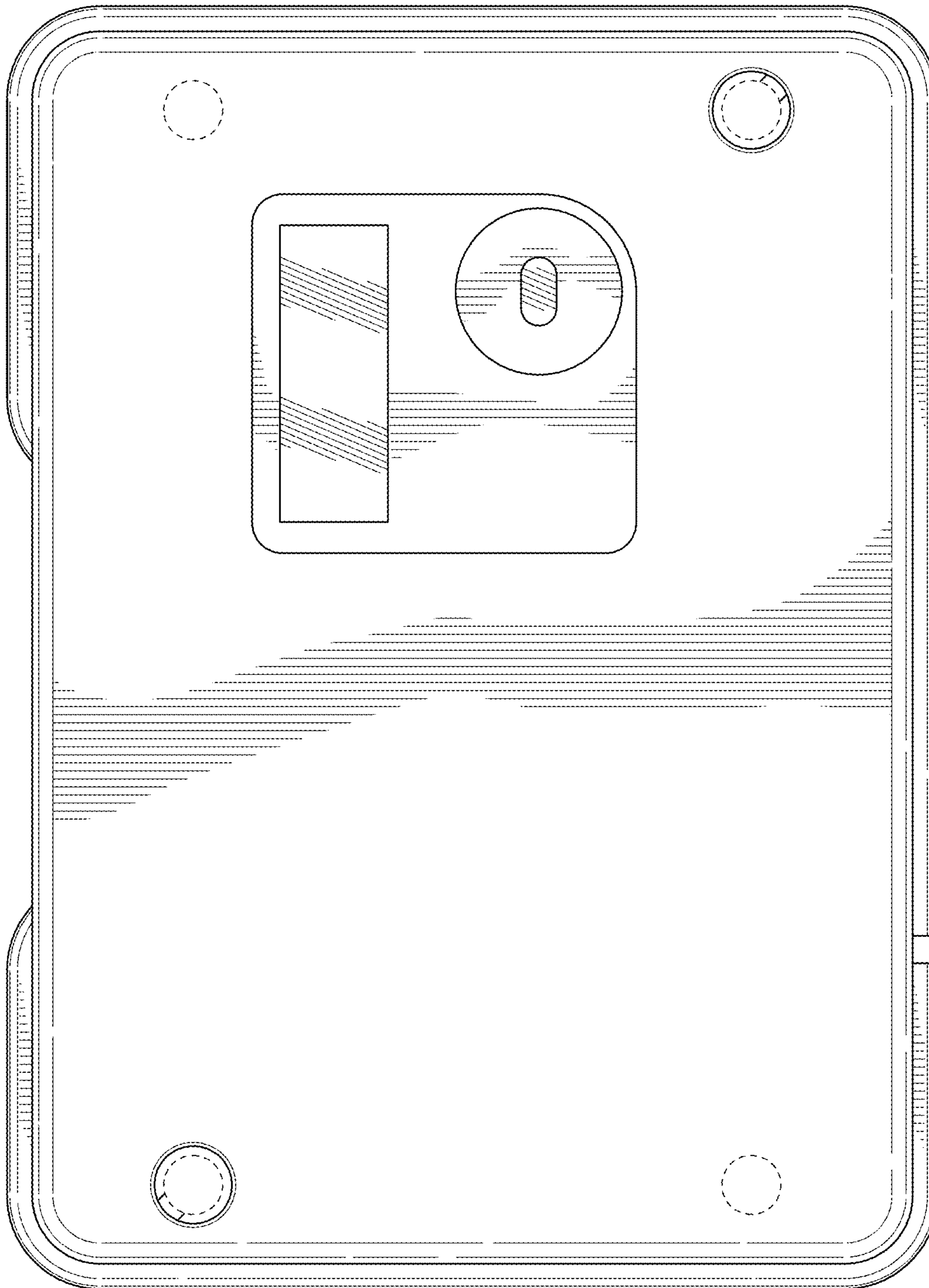


FIG. 27

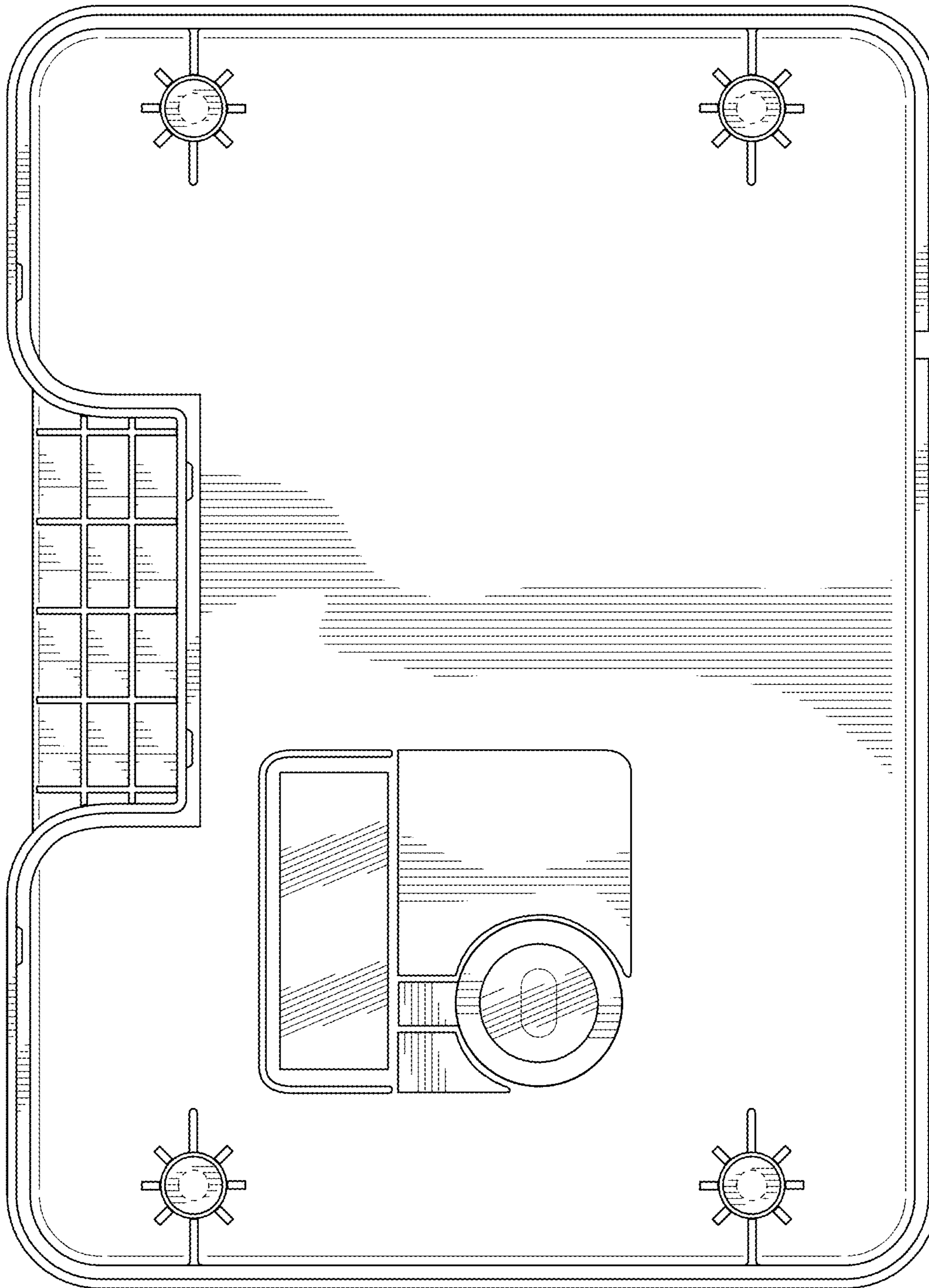
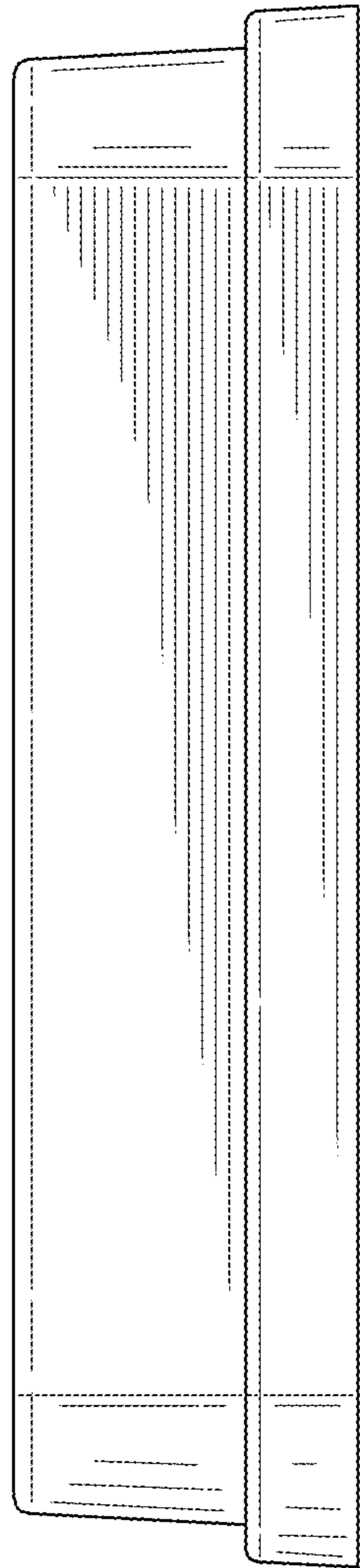
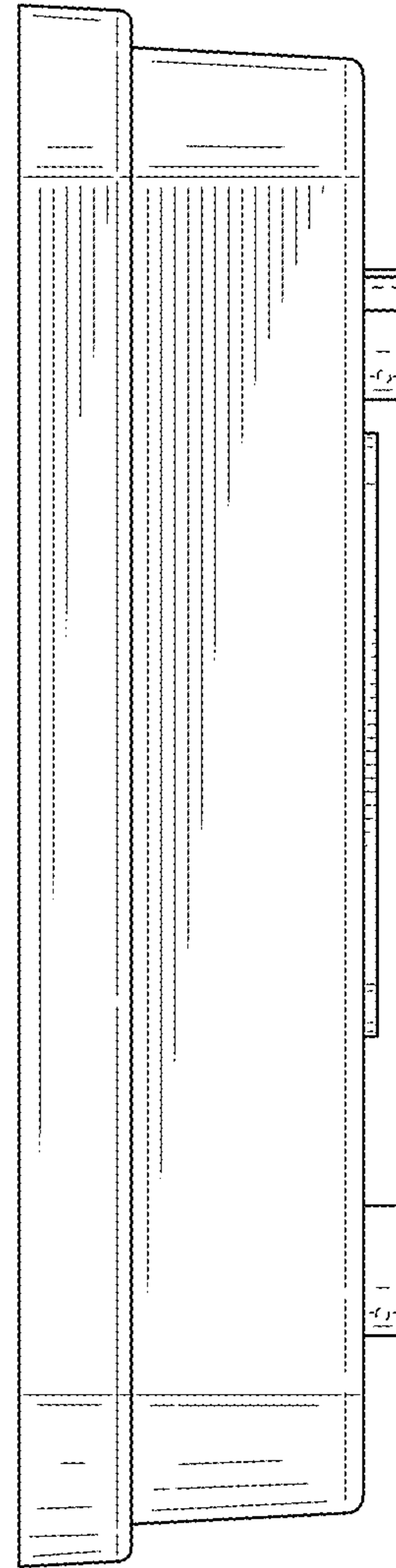


FIG. 28



**FIG. 29**



**FIG. 30**

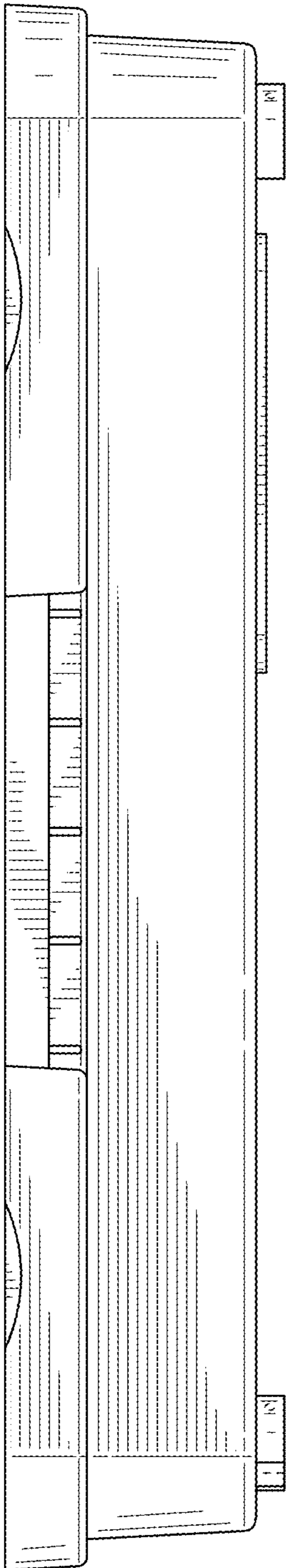


FIG. 31

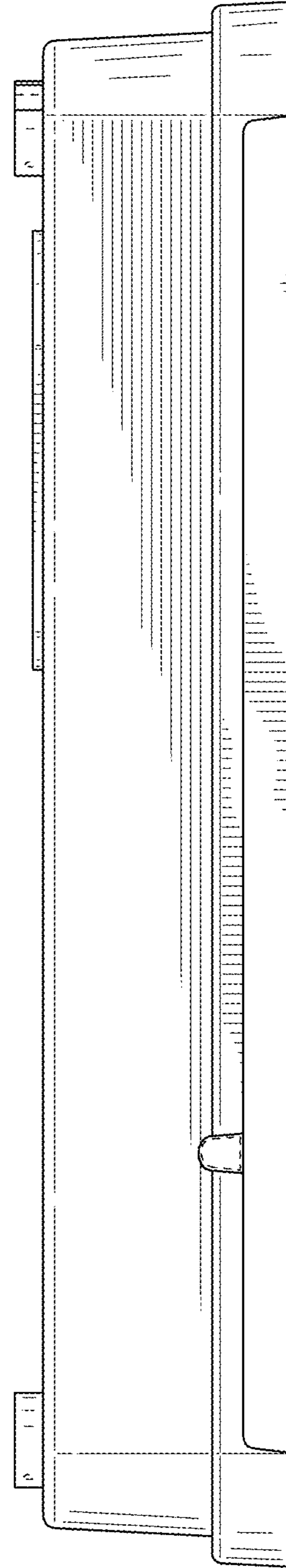


FIG. 32